

**TM-ZR360 41102310070A FRAME/SL,MANUAL,HOOK-IN**

PB0000033-02 SYSTEM (ZR360,DOMESTIC)  
ASSEMBLY

www.AutoEPC.com

ZR360, コクナイ  
ZR360, DOMESTIC

---

- 1      パワー テイク オフ & ポンプ  
POWER TAKE OFF & PUMP
- 2      フレーム ユニット  
FRAME UNIT
- 3      メイパン  
INDICATION PLATES
- 5      トクベツ ショウ (ユアツカンケイ)  
OPTIONS (HYDRAULIC-RELATED)
- 6      トクベツ ショウ (デンキカンケイ)  
OPTIONS (ELECTRICAL-RELATED)

注意：①適用製造番号によっては取り付けがないものもあります。

②オプションの部品選定時には「製品本体」をご確認して頂き、取り付けされている仕様を確認し、部品検索をお願い致します。

NOTE:①MACHINES OF SOME SERIAL NO. ARE NOT EQUIPPED WITH THESE PARTS.

②WHEN SELECTING OPTION PARTS, CHECK THE ACTUAL PRODUCT BEFOREHAND TO MAKE SURE THE SPEC OF THE INSTALLED PRODUCT, AND THEN SEARCH THE PARTS.

**TM-ZR360 41102310070A FRAME/SL,MANUAL,HOOK-IN**

Pos No.	Parts No	Parts Name	Qty	Unit	Technical Data	Serial
1	(***** )	POWER TAKE OFF & PUMP	1			
2	(***** )	FRAME UNIT	1			
3	(***** )	INDICATION PLATES	1			
5	(***** )	OPTIONS (HYDRAULIC-RELATED,SL)	1			
6	(***** )	OPTIONS (ELECTRICAL-RELATED,SL)	1			

www.AutoEPC.com

**TM-ZR360 41102310070A FRAME/SL,MANUAL,HOOK-IN**

PB1020002-00 POWER TAKE OFF ASSY (SELECTION)  
PB1020009-00 PUMP ASSY (SELECTION)  
PB1030015-02 POWER TAKE OFF  
PB1030036-01 POWER TAKE OFF  
PB1030066-02 POWER TAKE OFF  
PB1030091-01 POWER TAKE OFF  
PB1030093-01 POWER TAKE OFF  
PB1030103-04 POWER TAKE OFF  
PB1030104-01 POWER TAKE OFF  
PB1030111-00 POWER TAKE OFF  
PB1030112-00 POWER TAKE OFF  
PB1030114-03 POWER TAKE OFF  
PB1030115-00 POWER TAKE OFF  
PB1030118-02 POWER TAKE OFF  
PB1030122-01 POWER TAKE OFF  
PB1030125-01 POWER TAKE OFF  
PB1030127-01 POWER TAKE OFF  
PB1030128-01 POWER TAKE OFF  
PB1030135-02 POWER TAKE OFF  
PB1030136-02 POWER TAKE OFF  
PB1030137-02 POWER TAKE OFF  
PB1030138-01 POWER TAKE OFF  
PB1030142-02 POWER TAKE OFF  
PB1030145-02 POWER TAKE OFF  
PB1030146-01 POWER TAKE OFF  
PB1030147-02 POWER TAKE OFF  
PB1030157-01 POWER TAKE OFF  
PB1030159-01 POWER TAKE OFF  
PB1030175-01 POWER TAKE OFF  
PB1030186-02 POWER TAKE OFF  
PB1030189-02 POWER TAKE OFF  
PB1030208-01 POWER TAKE OFF  
PB1030213-00 POWER TAKE OFF  
PB1030233-00 POWER TAKE OFF  
PB1030234-00 POWER TAKE OFF  
PB1030235-00 POWER TAKE OFF  
PB1030236-00 POWER TAKE OFF  
PB1100099-00 PUMP, HYDRAULIC (LEFT, SPLINE 13)  
PB1130196-01 TANK, OIL (MOUNT)  
PB1130198-01 TANK, OIL  
PB1290011-00 STOPPER, ROTARY JOINT  
PB1300315-01 JOINT, ROTARY  
PB1300417-01 JOINT, ROTARY  
PB1300430-01 JOINT, ROTARY (RING ASSY, SLIP)  
PB1300527-00 JOINT, ROTARY  
PB1320514-01 VALVE, MANUAL CONTROL (NABCO)  
PB1380052-00 POWER SUPPLY  
PB1400298-03 PIPING, UPPER  
PB1410912-01 PIPING, LOWER (REPLACE FILTER)  
PB1411498-00 PIPING, LOWER (VALVE/NABCO)  
PB1411501-00 PIPING, LOWER (REMOTE CONT. VALVE/NACHI)  
PB1411840-00 PIPING, LOWER  
PB1411869-00 PIPING, LOWER (REMOTE CONT. VALVE/SANWA)  
PB2000050-00 POWER TAKE OFF & PUMP  
PC1011127-00 OUTRIGGER (FOR 6TON)  
PC1011128-00 OUTRIGGER (FOR 4TON)  
PC1011129-00 OUTRIGGER (RIGHT)  
PC1011130-00 OUTRIGGER (LEFT)  
PC1011131-00 OUTRIGGER (RIGHT)  
PC1011132-00 OUTRIGGER (LEFT)  
PC1020003-00 OUTRIGGER, REAR (FRAME)  
PC1020046-01 OUTRIGGER, REAR (ROTARY, POWER PACKAGE)  
PC1020094-00 OUTRIGGER, REAR (ROTARY/POWER PACKAGE: WITH LOCK ASSY)  
PC1020095-01 OUTRIGGER, REAR (FRAME)  
PC1030214-03 CYLINDER, JACK (MIN=1440)  
PC1030301-02 CYLINDER, JACK (REAR OUTRIGGER)  
PC1050119-01 CYLINDER, EXTENSION (WELDED STRUCTURE)  
PC1230021-03 PIPING, REAR JACK (2, ROTARY)  
PC1230028-00 PIPING, REAR JACK (ROTARY 1, WITH POWER/S)  
PC1230061-00 PIPING, REAR JACK (1)  
PC5410006-03 CONTROL UNIT  
PC6390047-01 CYLINDER ASSY, JACK  
PD1010133-00 REDUCER, SWING SPEED  
PD1010154-01 REDUCER, SWING SPEED (MOUNT)  
PE1010348-03 CYLINDER, ELEVATING

# TM-ZR360 41102310070A FRAME/SL,MANUAL,HOOK-IN

PE5020101-00 ELEC.ASSY (AWL LAMP)  
PE5020102-00 ELEC.ASSY  
PF1010131-01 WINCH (DRUM FREE,OPTION)  
PF1010133-01 WINCH (DRUM FREE)  
PF1010167-01 WINCH (HARTYS)  
PF1010207-00 WINCH (HARTYS)  
PF1010237-00 WINCH (OOKUBO)  
PF1010242-01 WINCH (YG.TEC)  
PF1010329-01 WINCH (SELF 3TONX1, S-RADICON,CRANE:M)  
PF1010330-01 WINCH (SELF 4TONX1, S-RADICON,CRANE:M)  
PF1010332-00 WINCH (SELF 4TONX1, F-RADICON,CRANE:E)  
PF1010334-00 WINCH (SELF 3TONX1, F-RADICON,CRANE:E)  
PF1010361-00 WINCH (DRUM FREE)  
PF1010363-00 WINCH (SELF)  
PF1020004-01 DRUM,WINCH  
PF1020035-00 DRUM,WINCH  
PF1050063-01 HOOK (DRUM FREE,OPTION)  
PF1050126-01 HOOK  
PF1050161-03 HOOK (1-PART LINE ,OPTION)  
PF1050337-00 HOOK (SELF, 4TONX1-PART LINE)  
PF1050338-01 HOOK (SELF, 3TONX1-PART LINE)  
PF1050342-01 HOOK (SELF, 3TONX2-PART LINE)  
PF1050447-00 HOOK  
PF1050464-00 HOOK (1-PART LINE)  
PF1050540-02 HOOK (5TON)  
PF1160066-02 OPE.ASSY,CLUTCH (SL WINCH,RADIO CONTROL)  
PF1180062-01 DETECTOR,DISORDERLY WIND (DRUM FREE)  
PF1200274-00 PIPING,WINCH (DRUM FREE,OPTION)  
PF1200309-03 PIPING,WINCH (3TON SELF)  
PF1200311-02 PIPING,WINCH (4TON SELF)  
PF1400303-03 MOUNT,WINCH  
PF1400322-00 MOUNT,WINCH (3T SELF)  
PF1400323-00 MOUNT,WINCH (4T SELF)  
PG1020003-04 GUIDE,ROPE (RETAINING WIRE ROPE,1-PART)  
PG1020004-00 GUIDE,ROPE (RETAINING WIRE ROPE)  
PG1130134-00 DETECTOR,BOOM LENGTH  
PG1130135-00 DETECTOR,BOOM LENGTH  
PG1130144-00 DETECTOR,BOOM LENGTH (MOUNT)  
PG1130145-00 DETECTOR,BOOM LENGTH (MOUNT)  
PH1060327-00 DETECTOR,OVER WINDING (RETAINING WIRE RO  
PH1060338-00 DETECTOR,OVER WINDING  
PH1250115-00 MOMENT LIMITER (BML)  
PI1010085-01 MOTOR,HYDRAULIC  
PI1010117-00 MOTOR,HYDRAULIC  
PI1010152-00 MOTOR,HYDRAULIC (WINCH)  
PI1010223-00 MOTOR,HYDRAULIC  
PI1120142-01 VALVE,SOLENOID  
PI1120241-00 VALVE,SOLENOID  
PI1160047-00 VALVE,FLOW CONTROL  
PI1250126-01 VALVE,COUNTERBALANCE  
PI1280051-00 VALVE,PILOT CHECK  
PI1280067-00 VALVE,PILOT CHECK  
PI1300061-02 FILTER,OIL (YAMASHIN)  
PI1440035-01 METER,LOAD (2.9TON KUSABA/ENG.& JAPANESE)  
PI1440036-01 METER,LOAD (2.9TON NAGANO/ENG.& JAPANESE)  
PJ3410034-01 LOCK ASSY  
PK1011168-00 FRAME  
PK1100453-00 SWING FRAME  
PK1330102-00 COVER (SWING BEARING)  
PK2000868-00 FRAME UNIT  
PL1010805-04 OPE.ASSY,CONT.VALVE (CRANE)  
PL1010807-01 OPE.ASSY,CONT.VALVE (REMOCON)  
PL1010815-03 OPE.ASSY,CONT.VALVE (RADIO CONTROL)  
PL1010817-01 OPE.ASSY,CONT.VALVE (SL WINCH,S-RADICON)  
PN1012300-03 ELEC.ASSY (DRUM FREE)  
PN1012307-02 ELECTRICAL ACCESSORIES  
PN1012323-01 ELEC.ASSY (R/O,ROTARY,POWER SUPPLY)  
PN1012343-02 ELEC.ASSY (LAMP,LOWER/FRAME)  
PN1012344-02 ELEC.ASSY (24V60W LAMP/MOUNT,POST)  
PN1012345-01 ELEC.ASSY (24V45W LAMP/MOUNT,BOOM)  
PN1012530-03 ELEC.ASSY (SL,F-RADIO CONTROL/SWITCH)  
PN1012531-03 ELEC.ASSY (SELF,S-RADIO CONTROL)  
PN1012921-03 ELEC.ASSY  
PN1013753-00 ELEC.ASSY  
PN1013754-01 ELEC.ASSY (ANTENNA)

# TM-ZR360 41102310070A FRAME/SL,MANUAL,HOOK-IN

PN1013757-01 ELEC.ASSY (HARNESS FOR STANDBY POWER)  
PN1013976-02 ELEC.ASSY (SWITCH COVER)  
PN1013979-01 ELEC.ASSY (UPPER)  
PN1014222-03 ELEC.ASSY (KYOKUTO RADICON)  
PN1014247-00 ELEC.ASSY  
PN1014341-00 ELEC.ASSY (CARRIER)  
PN1014342-00 ELEC.ASSY (CARRIER)  
PN1014685-02 ELEC.ASSY  
PN1080229-00 LAMP (MOUNT,POST/24V-60W)  
PN1080230-01 LAMP (MOUNT,BOOM/24V-45W)  
PN1140220-00 SWITCH ASSY (PLATING:NACC)  
PN1140221-00 SWITCH ASSY (GREEN:PANASONIC)  
PN1140222-00 SWITCH ASSY (PLATING:NACC)  
PN1140223-00 SWITCH ASSY (GREEN:PANASONIC)  
PN1140224-00 SWITCH ASSY (PLATING:NACC)  
PN1140225-00 SWITCH ASSY (GREEN:PANASONIC)  
PN1140226-00 SWITCH ASSY (PLATING:NACC)  
PN1140227-00 SWITCH ASSY (GREEN:PANASONIC)  
PN1140234-00 SWITCH ASSY (PLATING:NACC)  
PN1140235-00 SWITCH ASSY (GREEN:PANASONIC)  
PN1140239-00 SWITCH ASSY (WITH HARNESS,2-SW)  
PN5010195-00 NAME PLATE ASSY  
PN5010239-00 NAME PLATE ASSY  
PO1000151-00 INDICATION PLATES  
PO1012473-02 PLATE ASSY,NAME (HOOK)  
PO1013037-02 PLATE ASSY,NAME (DRUM FREE)  
PO1013040-03 PLATE ASSY,NAME (1-PART LINE OPE.)  
PO1013041-01 PLATE ASSY,NAME (G)  
PO1013212-00 PLATE ASSY,NAME (ACC.,CLUTCH,SL WINCH)  
PO1014307-00 PLATE ASSY,NAME  
PO1014437-01 PLATE ASSY,NAME (UPPER)  
PO1014584-01 PLATE ASSY,NAME (BOOM,ELEV. STOWING FAILURE)  
PO1014592-01 PLATE ASSY,NAME  
PO1014635-00 PLATE ASSY,NAME  
PO1014739-00 PLATE ASSY,NAME  
PO1014748-00 PLATE ASSY,NAME (FOR FIXING AWL)  
PO1014749-00 PLATE ASSY,NAME (HOOK-IN/HOOK STOWING)  
PO1015086-01 PLATE ASSY,NAME  
PO1070727-00 PERFORMANCE DATA (ZR363SL/A)  
PO1070728-00 PERFORMANCE DATA (ZR363SL/B)  
PO1070729-00 PERFORMANCE DATA (ZR364SL/A)  
PO1070730-00 PERFORMANCE DATA (ZR364SL/B)  
PP5150011-00 PARTS ASSY,RADIO CONTROLLER (8CH)  
PR5050007-00 REEL ASSY,CORD  
PR5130002-00 RING ASSY,SLIP  
PV1010092-00 REMOTE CONTROL (F,KIT/RCS-FC1)  
PV1020231-03 VALVE,REMOTE CONTROL (NACHI)  
PV1020353-00 VALVE,REMOTE CONTROL  
PV1020386-00 VALVE,REMOTE CONTROL  
PV1030080-04 SWITCH BOX (RADIO CONTROL,LED TYPE)  
PV1030082-01 SWITCH BOX  
PV1030107-00 SWITCH BOX (SELF WINCH RADIO CONTROL)  
PV1040032-01 CONTROL BOX (SELF WINCH RADIO CONTROL)  
PV1050012-00 CYLINDER,ACCELERATOR  
PV1050013-01 CYLINDER,ACCELERATOR  
PV1070295-01 RADIO CONTROL (LED)  
PV1070398-00 RADIO CONTROL (KIT:MITSUMI)  
PV1070456-00 RADIO CONTROL (F,KIT/RCS-FC1)  
PV1070467-00 RADIO CONTROL  
PV1090040-00 PARTS,AWL(2-4SECT./RADICON OR M,HOOK-IN)  
PV1090041-00 PARTS,AWL(5,6SECT./RADICON OR M,HOOK-IN)  
PV1250013-00 BOX,STOWING  
PV1300011-01 CABLE (ANTENNA 2M)  
PV1300018-00 CABLE (F-REMOTE CONTROL,20M)  
PV1400021-01 ANTENNA (FOR RADIO CONTROL)  
PV1400042-00 ANTENNA (FOR RADIO CONTROL)  
PW1050011-00 STOPPER,TIRE  
PW5060005-01 WINCH ASSY (Y.G.TEC)  
PX1940184-01 MOUNT (BOOM)  
PY1000468-00 OPTIONS (HYDRAULIC-RELATED,SL)  
PY1000470-00 OPTIONS (ELECTRICAL-RELATED,SL)  
PY1560010-01 ALARM SYSTEM ((OUTRIGGER HARNESS))  
PY1560011-00 ALARM SYSTEM (BOOM HARNESS)  
PY1560039-01 ALARM SYSTEM  
PY1560040-01 ALARM SYSTEM

**TM-ZR360 41102310070A FRAME/SL,MANUAL,HOOK-IN**

PY2340010-00 PLATE (500X500,H=90)

PY2340011-00 PLATE (355X355,H=80)

PZ0000000-00 HARNESS

www.AutoEPC.com

- POWER TAKE OFF ASSY
- PTO ASSYの選定

指示番号 key No	CARRIER MAKER キャリア メーカー
1	MITSUBISHI ミツビシ
2	HINO ヒノ
3	ISUZU イズズ
4	NISSAN ニッサン

[NOTE]

- (1) SOME TYPES OF THE CARRIER ARE EQUIPPED WITH THE MANUFACTURER'S GENUINE POWER TAKE OFF.
- (2) POWER TAKE OFF FOR EXPORT IS SUPPLIED FROM THE CARRIER MANUFACTURE.

[注 意]

- (1) PTO ASSYは車種によってメーカー純正品があります。
- (2) 海外向けのPTO ASSYは、車両メーカー品です。



**TM-ZR360 41102310070A FRAME/SL,MANUAL,HOOK-IN**

Pos No.	Parts No	Parts Name	Qty	Unit	Technical Data	Serial No (Start)	Serial No (End)	
1	36401040000	POWER TAKE OFF	1					
	31792360000	POWER TAKE OFF	1					
	31791970000	POWER TAKE OFF	1					
	31792370000	POWER TAKE OFF	1					
	31792380000	POWER TAKE OFF	1					
	31790810000	POWER TAKE OFF	1					
	31790770000	POWER TAKE OFF	1					
	36400940000	POWER TAKE OFF	1					
	31790780000	POWER TAKE OFF	1					
	36400950000	POWER TAKE OFF	1					
	31791000000	POWER TAKE OFF	1					
	2	31790690000	POWER TAKE OFF	1				
		31792050000	POWER TAKE OFF	1				
		31791060000	POWER TAKE OFF	1				
		31790930000	POWER TAKE OFF	1				
		31791300000	POWER TAKE OFF	1				
		31792040000	POWER TAKE OFF	1				
		31791650000	POWER TAKE OFF	1				
		31790920000	POWER TAKE OFF	1				
31791140000		POWER TAKE OFF	1					
31790940000		POWER TAKE OFF	1					
31790960000		POWER TAKE OFF	1					
3	31791020000	POWER TAKE OFF	1					
	31790910000	POWER TAKE OFF	1					
	31792010000	POWER TAKE OFF	1					
	31791270000	POWER TAKE OFF	1					
	31791240000	POWER TAKE OFF	1					
4	31790980000	POWER TAKE OFF	1					
	31790740000	POWER TAKE OFF	1					
	31790830000	POWER TAKE OFF	1					
	31790840000	POWER TAKE OFF	1					
	31790850000	POWER TAKE OFF	1					
	31791950000	POWER TAKE OFF	1					
	31790750000	POWER TAKE OFF	1					

- PUMP ASSY
- ポンプASSYの選定

指示番号 key No	PUMP MODEL ポンプ型式番号	RUNNING DIRECTION 回転方向
1	SGP1-36D2H9-L580	COUNTERCLOCKWISE 左

[NOTE]

- (1) PUMP MODEL NOS. ARE PUNCHED ON PUMP NAMEPLATE.
- (2) THE PUMP RUNNING DIRECTION IS VIEWED FROM THE SHAFT TOWARD THE PUMP.

[注意]

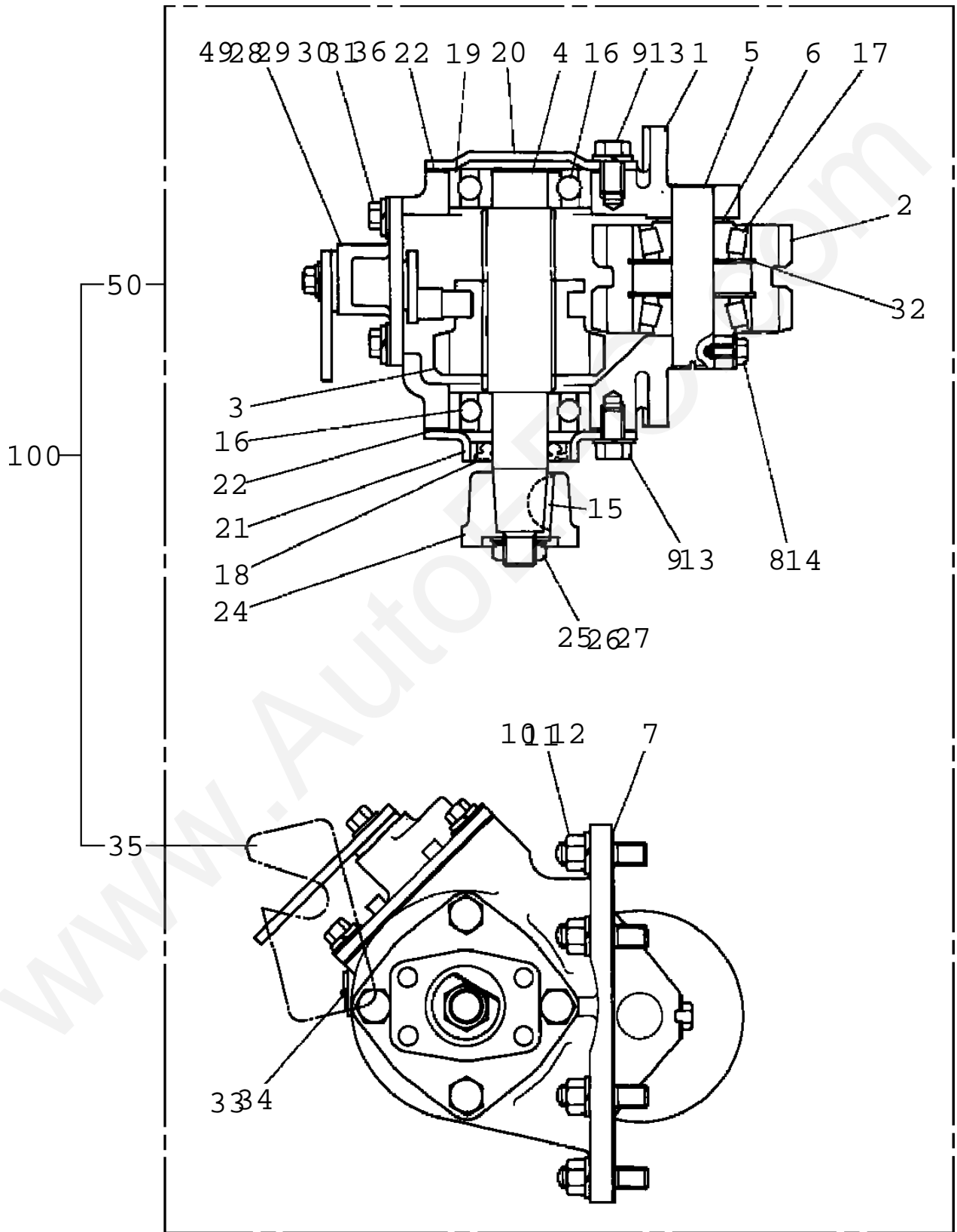
- (1) ポンプ型式番号はポンプ本体の銘板に打刻しています。
- (2) ポンプの回転方向はポンプの軸端から見ての回転方向です。

**TM-ZR360 41102310070A FRAME/SL,MANUAL,HOOK-IN**

Pos No.	Parts No	Parts Name	Qty	Unit	Technical Data	Serial
1	36652900000	PUMP, HYDRAULIC (LEFT, SPLINE 13)	1			

www.AutoEPC.com

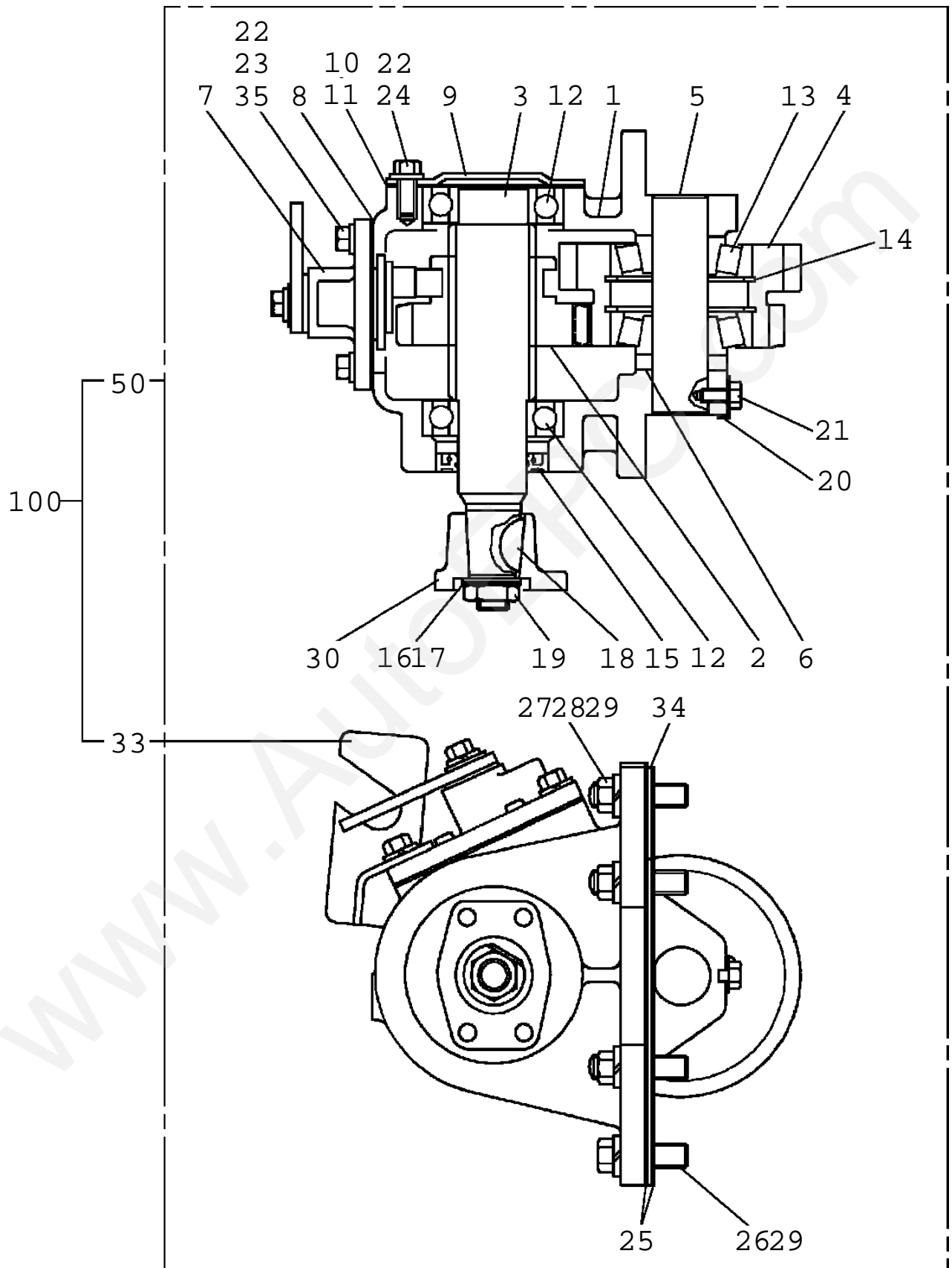
TM-ZR360 41102310070A FRAME/SL, MANUAL, HOOK-IN  
PB1030015-02 POWER TAKE OFF



**TM-ZR360 41102310070A FRAME/SL,MANUAL,HOOK-IN**

Pos No.	Parts No	Parts Name	Qty	Unit	Technical Data	Serial No (Start)	Serial No (End)
1	36400235010	CASE	1				
2	36400235020	GEAR	1				
3	36400235030	GEAR	1				
4	36400235040	SHAFT	1				
5	36400095040	SHAFT	1				
6	36400095050	COLLAR	1				
7	36400215080	PACKING (CASE)	1				
8	90101206012	BOLT	1		M6X12		
9	90191210016	BOLT	8		M10X16		
10	36400295010	BOLT	6				
11	90267201000	NUT	6		M10		
12	90302041001	WASHER,SPRING	14		10		
14	36400095130	WASHER	1				
15	36400135100	KEY	1				
16	80500006305	BEARING,BALL	2				
17	36400095120	BEARING	2				
18	91206025005	SEAL,OIL	1				
19	36400095090	SHIM	N				
20	36400235050	COVER (FRONT)	1				
21	36400235060	COVER (REAR)	1				
22	36400235070	PACKING	2				
24	36400135120	COUPLING	1				
25	36400135150	NUT	1		M4X1.5		
26	36400135090	WASHER	1				
27	36400135160	WASHER,PLAIN	1				
28	36400225110	SHIFTER SET	1				
29	36400095110	PACKING	1				
30	90191208020	BOLT	4		M8X20		
32	80602110520	RING,RITAINING	2		R52		
33	36400295020	PLATE,NAME	1				
35	31790670100	SUPPORT	1				
36	90191208025	BOLT	2		M8X25		
49	36400225160	SEAL,OIL	1				
50	36400290000	POWER TAKE OFF	1				
100	31790690000	POWER TAKE OFF	1				

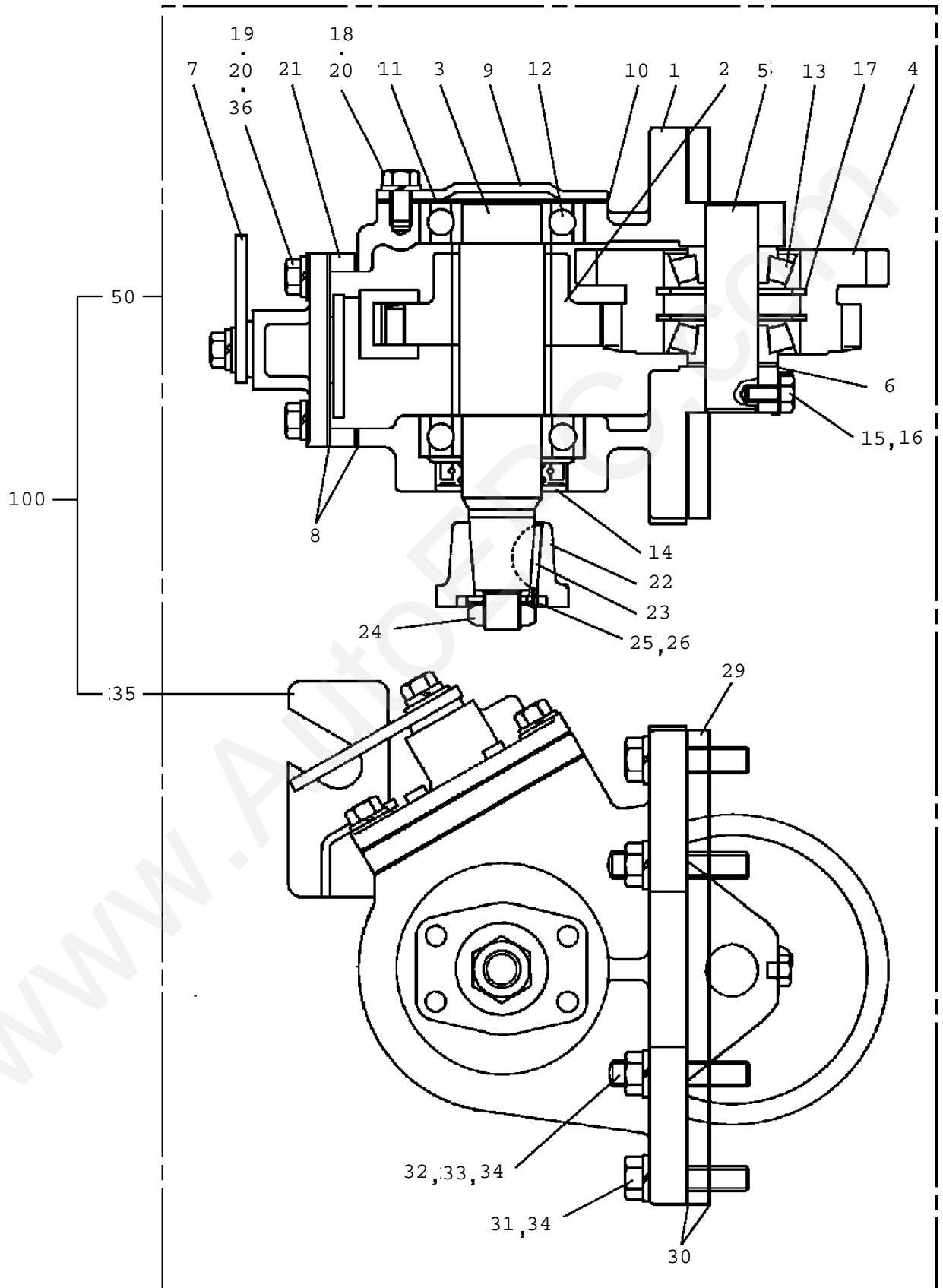
TM-ZR360 41102310070A FRAME/SL, MANUAL, HOOK-IN  
PB1030036-01 POWER TAKE OFF



**TM-ZR360 41102310070A FRAME/SL,MANUAL,HOOK-IN**

Pos No.	Parts No	Parts Name	Qty	Unit	Technical Data	Serial No (Start)	Ser
1	36400135010	CASE	1				
2	36400135020	GEAR	1				
3	36400135030	SHAFT	1				
4	36400135040	GEAR	1				
5	36400135050	SHAFT	1				
6	36400135060	COLLAR	1				
7	36400095100	SHIFTER ASSY	1				
8	36400095110	PACKING	1				
9	36400095070	COVER (BEARING)	1				
10	36400095080	PACKING (COVER)	1				
11	36400095090	SHIM	N				
12	80500006206	BEARING,BALL	2				
13	36400135070	BEARING	2				
14	80602110620	RING,RITAINING	2		R62		
15	91206030005	SEAL,OIL	1				
16	36400135160	WASHER,PLAIN	1				
17	36400135090	WASHER	1				
18	36400135100	KEY	1				
19	36400135150	NUT	1		M4X1.5		
20	36400135110	WASHER	1				
21	90101206012	BOLT	1		M6X12		
22	90302040801	WASHER,SPRING	7		8		
23	90191208020	BOLT	4		M8X20		
24	90191208015	BOLT	3		M8X15		
25	36400095140	PACKING (CASE)	2				
26	90191210030	BOLT	2		M10X30		
27	36400095150	BOLT,STUD	6		M10X1.25/1.5X43		
28	90267201000	NUT	6		M10		
29	90302041001	WASHER,SPRING	8		10		
30	36400135120	COUPLING	1				
33	31790670100	SUPPORT	1				
34	36400135140	SPACER	1				
35	90191208025	BOLT	2		M8X25		
50	36400130000	POWER TAKE OFF	1				
100	31791650000	POWER TAKE OFF	1				

TM-ZR360 41102310070A FRAME/SL, MANUAL, HOOK-IN  
PB1030066-02 POWER TAKE OFF

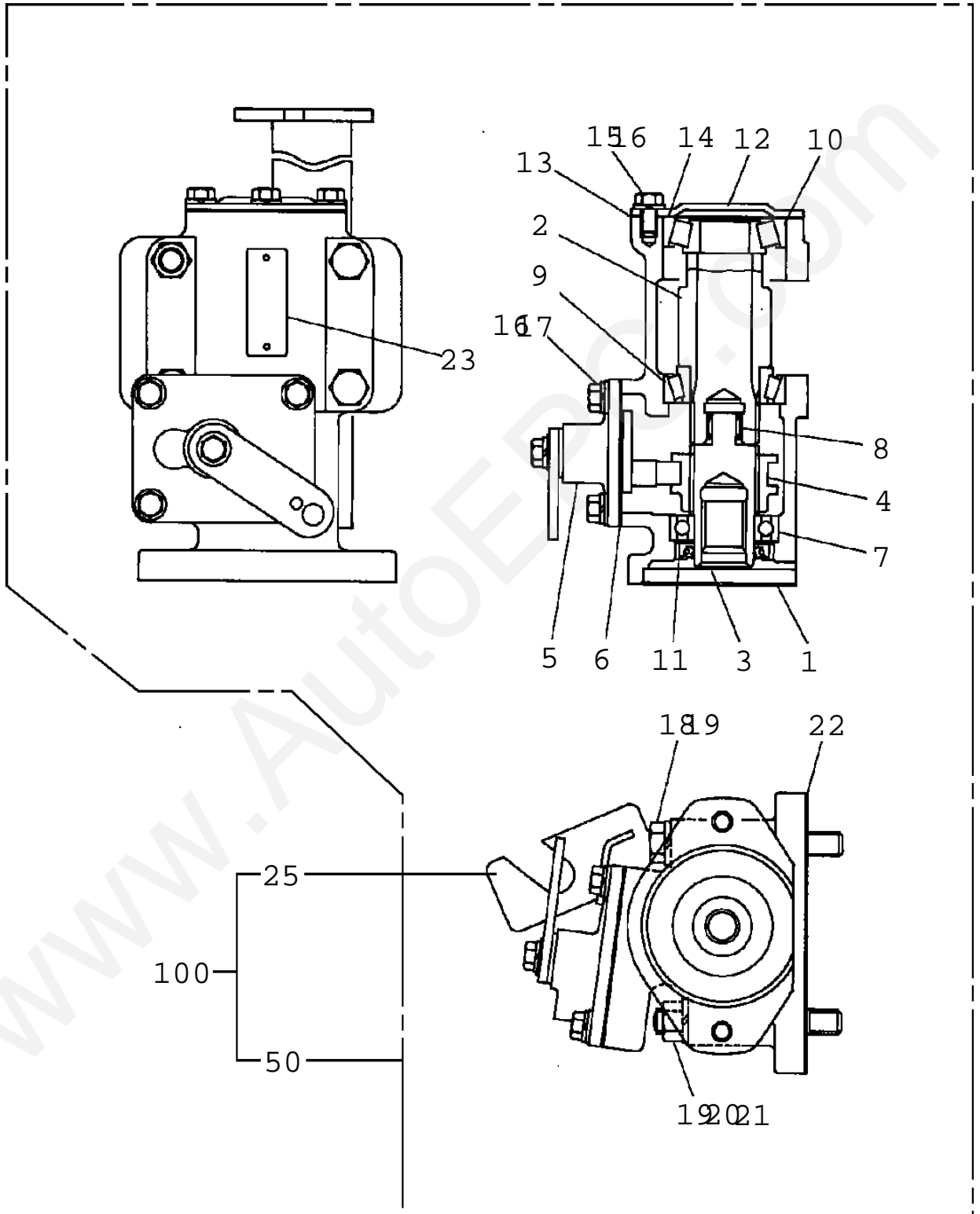




**TM-ZR360 41102310070A FRAME/SL,MANUAL,HOOK-IN**

Pos No.	Parts No	Parts Name	Qty	Unit	Technical Data	Serial No (Start)	Seri
1	36400355010	CASE	1				
2	36400495010	GEAR	1				
3	36400365010	SHAFT	1				
4	36400495020	GEAR	1				
5	36400095040	SHAFT	1				
6	36400095050	COLLAR	1				
7	36400285040	SHIFTER SET	1				
8	36400095110	PACKING	2				
9	36400095070	COVER (BEARING)	1				
10	36400095080	PACKING (COVER)	1				
11	36400095090	SHIM	N				
12	80500006206	BEARING,BALL	2				
13	36400095120	BEARING	2				
14	91206030005	SEAL,OIL	1				
15	36400095130	WASHER	1				
16	90101206012	BOLT	1		M6X12		
17	80602110520	RING,RITAINING	2		R52		
18	90191208014	BOLT	3		M8X14		
19	90191208030	BOLT	4		M8X30		
20	90302040801	WASHER,SPRING	7		8		
21	36400285080	SPACER	1				
22	36400135120	COUPLING	1				
23	36400135100	KEY	1				
24	36400135150	NUT	1		M4X1.5		
25	36400135160	WASHER,PLAIN	1				
26	36400135090	WASHER	1				
29	36400345010	SPACER	1				
30	36400335030	SHIM	N				
31	90191210040	BOLT	4		M10X40		
32	36400285060	BOLT	4				
33	90267201000	NUT	4		M10		
34	90302041001	WASHER,SPRING	8		10		
35	31790680100	SUPPORT	1				
36	90191208035	BOLT	2		M8X35		
50	36400500000	POWER TAKE OFF	1				
100	31791300000	POWER TAKE OFF	1				

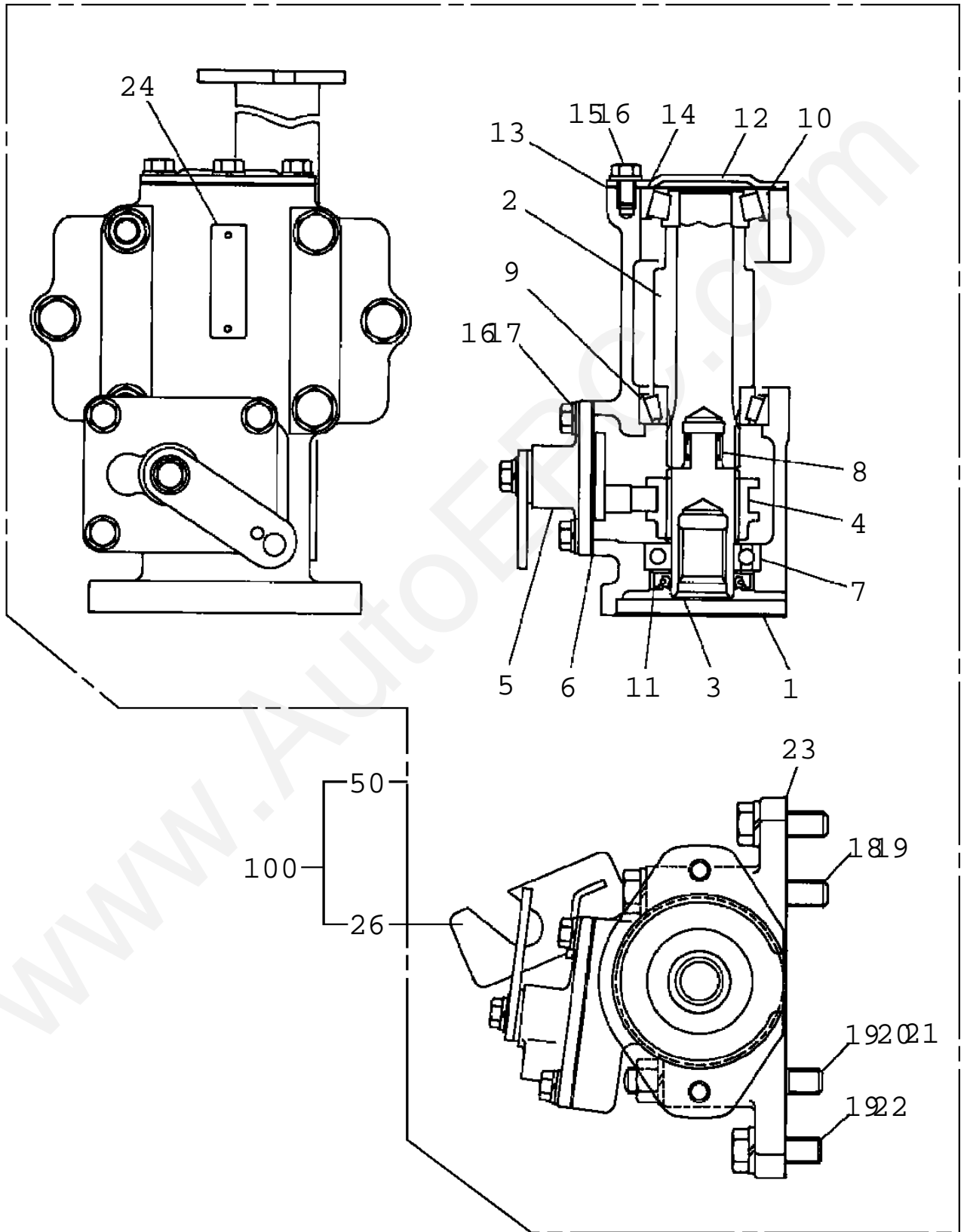
TM-ZR360 41102310070A FRAME/SL, MANUAL, HOOK-IN  
PB1030091-01 POWER TAKE OFF



**TM-ZR360 41102310070A FRAME/SL,MANUAL,HOOK-IN**

Pos No.	Parts No	Parts Name	Qty	Unit	Technical Data	Serial No (Start)	Seri
1	36400785010	CASE	1				
2	36400765020	GEAR	1				
3	36400775010	SHAFT	1				
4	36400765040	SLEEVE	1				
5	36400095100	SHIFTER ASSY	1				
6	36400095110	PACKING	1				
7	80500006006	BEARING,BALL	1				
8	36400765050	BEARING,NEEDLE	1				
9	36400765060	BEARING	1				
10	36400765070	BEARING	1				
11	91206030005	SEAL,OIL	1				
12	36400095070	COVER (BEARING)	1				
13	36400095080	PACKING (COVER)	1				
14	36400095090	SHIM	N				
15	90191208014	BOLT	3		M8X14		
16	90302040801	WASHER,SPRING	7		8		
17	90191208020	BOLT	4		M8X20		
18	90193512090	BOLT	2				
19	90302041201	WASHER,SPRING	4		12		
20	36400785020	BOLT,STUD	2				
21	90267401200	NUT	2				
22	36400765110	PACKING (CASE)	1				
23	36400795010	PLATE,NAME	1				
25	31790680100	SUPPORT	1				
50	36400790000	POWER TAKE OFF	1				
100	31790740000	POWER TAKE OFF	1				

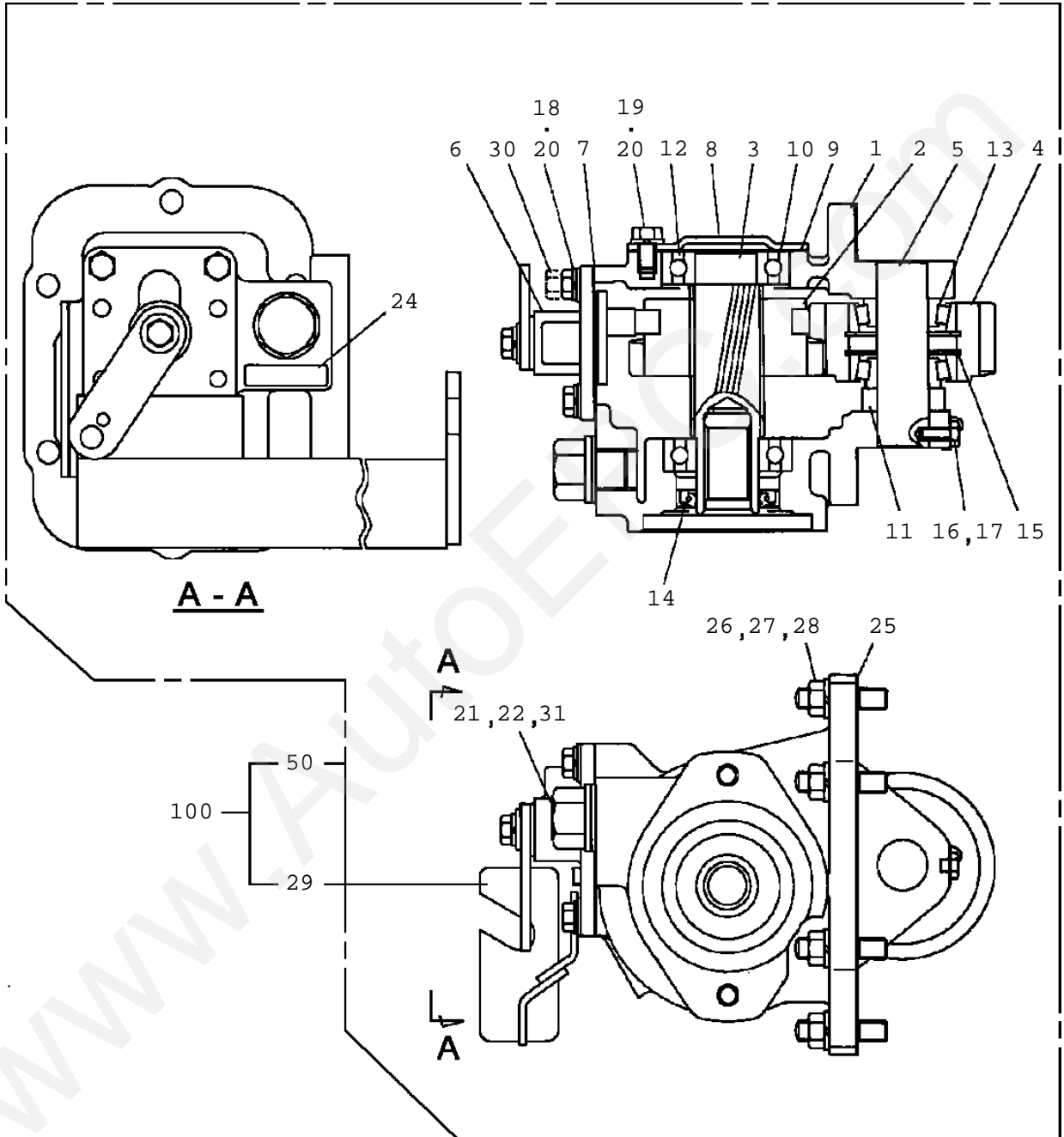
TM-ZR360 41102310070A FRAME/SL, MANUAL, HOOK-IN  
PB1030093-01 POWER TAKE OFF



**TM-ZR360 41102310070A FRAME/SL,MANUAL,HOOK-IN**

Pos No.	Parts No	Parts Name	Qty	Unit	Technical Data	Serial No (Start)	Seri
1	36400805010	CASE	1				
2	36400805020	GEAR	1				
3	36400775010	SHAFT	1				
4	36400765040	SLEEVE	1				
5	36400095101	SHIFTER ASSY	1				
6	36400095110	PACKING	1				
7	80500006006	BEARING,BALL	1				
8	36400765050	BEARING,NEEDLE	1				
9	36400765060	BEARING	1				
10	36400765070	BEARING	1				
11	91206030005	SEAL,OIL	1				
12	36400095070	COVER (BEARING)	1				
13	36400095080	PACKING (COVER)	1				
14	36400095090	SHIM	N				
15	90191208014	BOLT	3		M8X14		
16	90302040801	WASHER,SPRING	7		8		
17	90191208020	BOLT	4		M8X20		
18	90193512090	BOLT	2				
19	90302041201	WASHER,SPRING	6		12		
20	36400785020	BOLT,STUD	2				
21	90264201200	NUT	2		M12		
22	90193512035	BOLT	2		M12X35		
23	36400435090	PACKING (CASE)	1				
24	36400805030	PLATE,NAME	1				
26	31790750100	SUPPORT	1				
50	36400810000	POWER TAKE OFF	1				
100	31790750000	POWER TAKE OFF	1				

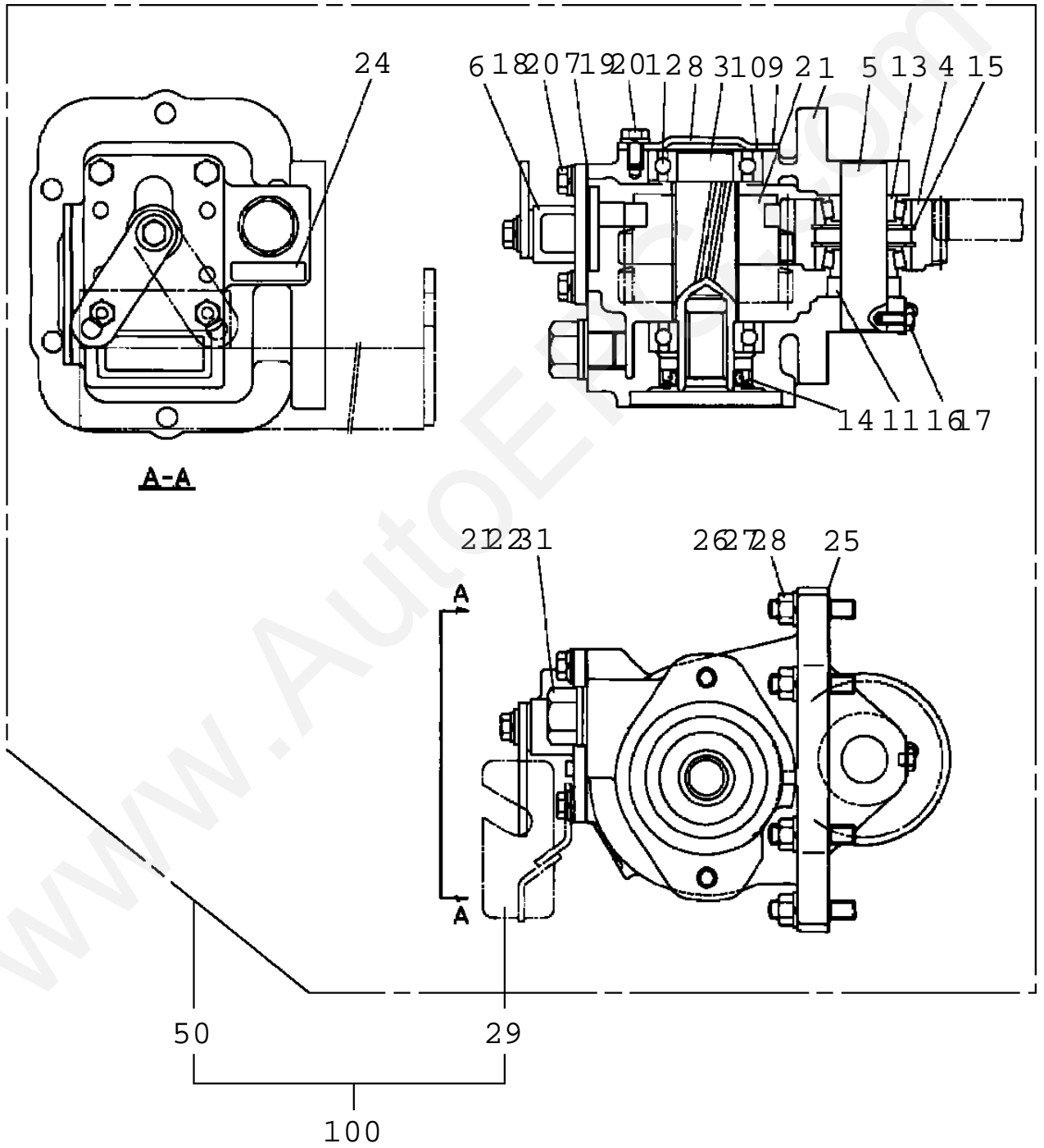
TM-ZR360 41102310070A FRAME/SL, MANUAL, HOOK-IN  
PB1030103-04 POWER TAKE OFF



**TM-ZR360 41102310070A FRAME/SL, MANUAL, HOOK-IN**

Pos No.	Parts No	Parts Name	Qty	Unit	Technical Data	Serial No (Start)	Se
1	36400845060	CASE	1				
2	36400845020	GEAR	1				
3	36400845030	SHAFT	1				
4	36400845040	GEAR	1				
5	36400395050	SHAFT	1				
6	36400095100	SHIFTER ASSY	1				
7	36400095110	PACKING	1				
8	36400095070	COVER (BEARING)	1				
9	36400095080	PACKING (COVER)	1				
10	36400095090	SHIM	1				
11	36400675030	COLLAR	1				
12	80500006206	BEARING,BALL	2				
13	36400675050	BEARING	2				
14	91206030005	SEAL,OIL	1				
15	80602110520	RING,RITAINING	2		R52		
16	36400095130	WASHER	1				
17	90101206015	BOLT	1		M6X15		
18	90191208020	BOLT	4		M8X20		
19	90191208014	BOLT	3		M8X14		
20	90302040801	WASHER,SPRING	7		8		
21	36401025060	PLUG	1				
22	36401025070	WASHER,PLAIN	1				
24	36401025090	PLATE,NAME	1				
25	36401025100	PACKING	1				
26	36400095150	BOLT,STUD	6		M10X1.25/1.5X43		
27	90267201000	NUT	6		M10		
28	90302041001	WASHER,SPRING	6		10		
29	31790770100	SUPPORT	1				
30	90191208025	BOLT	2		M8X25		
31	36401025120	NUT (REINFORCER)	1				
50	36400840000	POWER TAKE OFF	1				
100	31790770000	POWER TAKE OFF	1				

TM-ZR360 41102310070A FRAME/SL, MANUAL, HOOK-IN  
PB1030104-01 POWER TAKE OFF

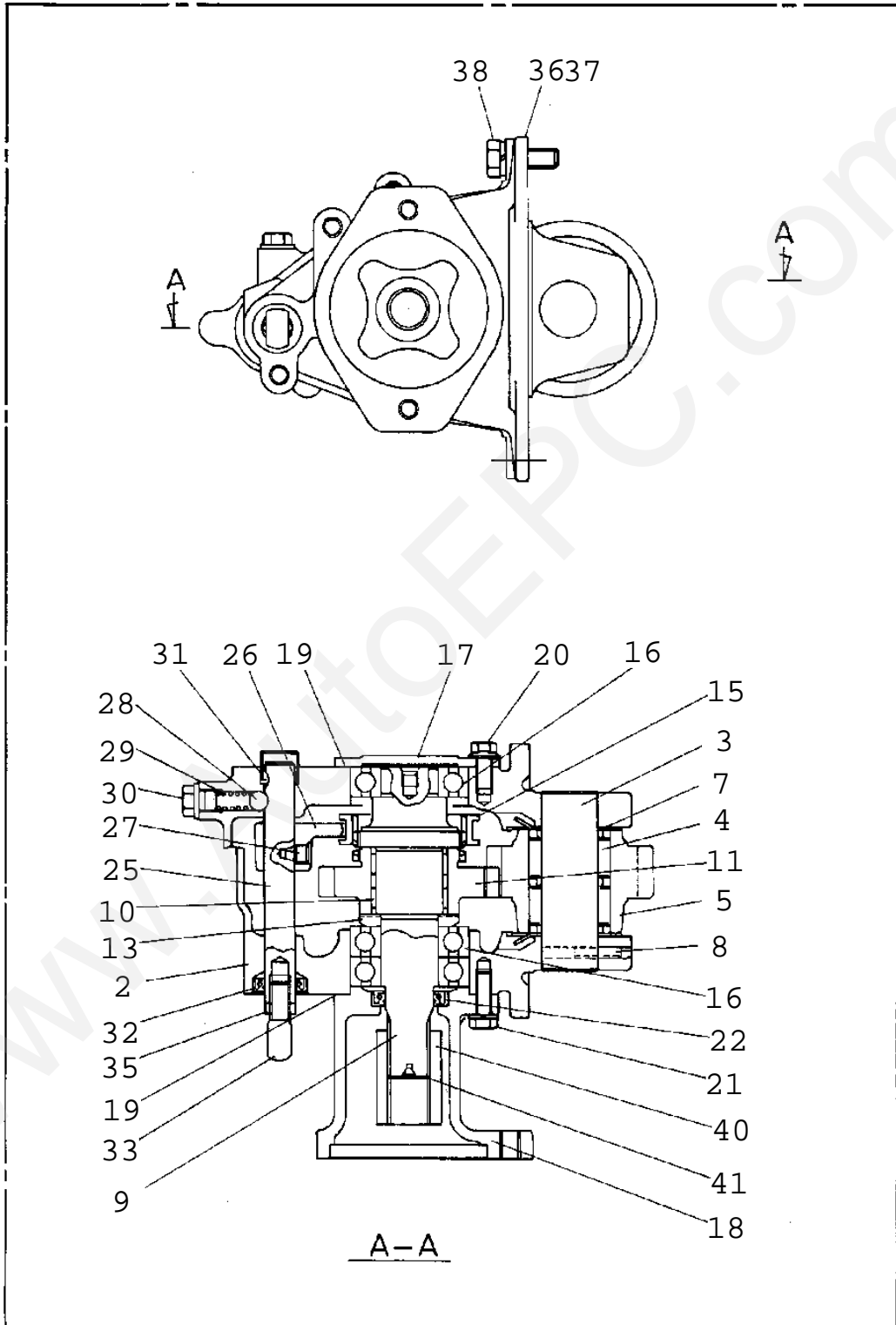




**TM-ZR360 41102310070A FRAME/SL, MANUAL, HOOK-IN**

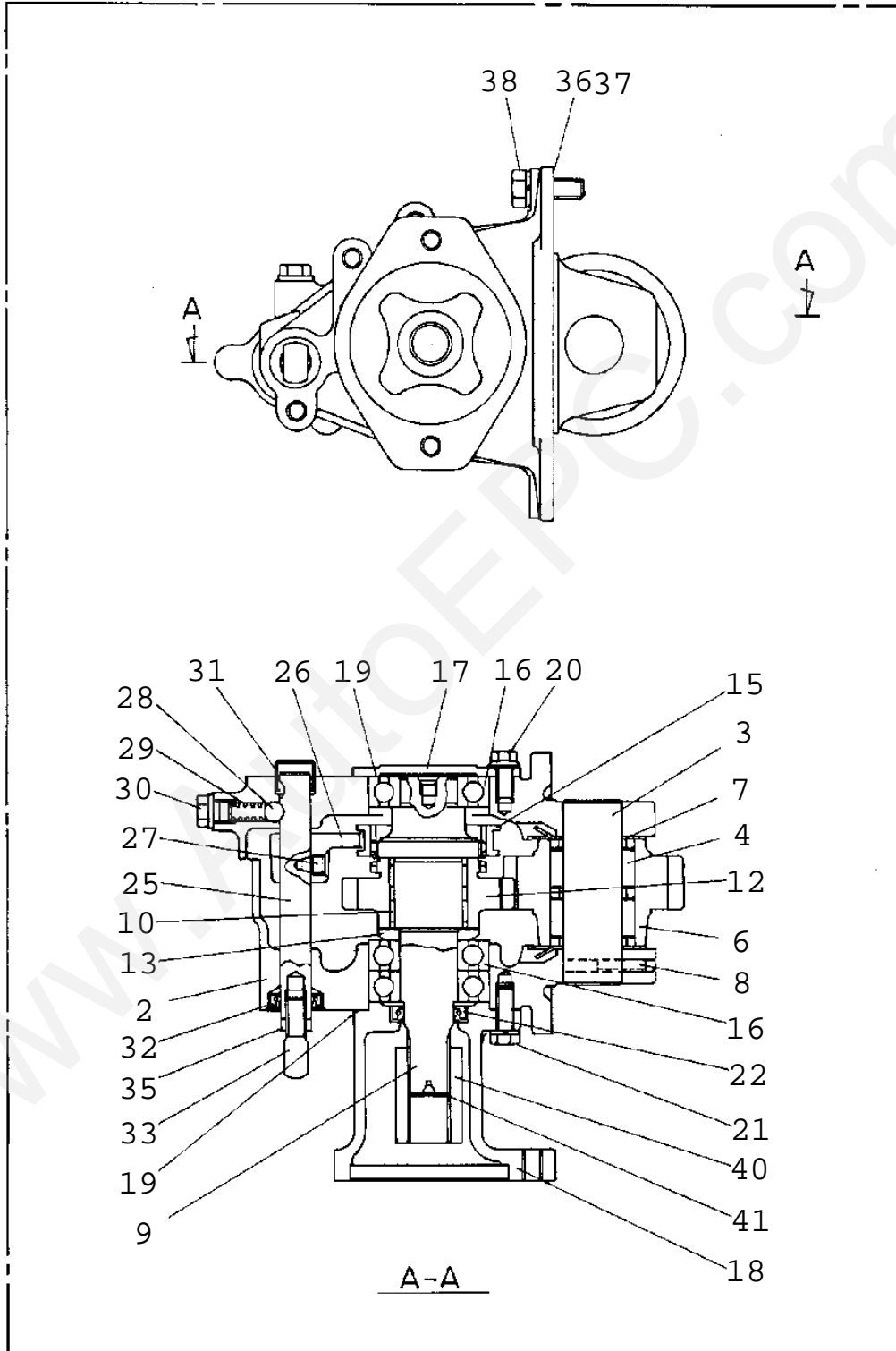
Pos No.	Parts No	Parts Name	Qty	Unit	Technical Data	Serial No (Start)	Se
1	36400855030	CASE	1				
2	36400845020	GEAR	1				
3	36400845030	SHAFT	1				
4	36400845040	GEAR	1				
5	36400395050	SHAFT	1				
6	36400095100	SHIFTER ASSY	1				
7	36400095110	PACKING	1				
8	36400095070	COVER (BEARING)	1				
9	36400095080	PACKING (COVER)	1				
10	36400095090	SHIM	1				
11	36400675030	COLLAR	1				
12	80500006206	BEARING,BALL	2				
13	36400675050	BEARING	2				
14	91206030005	SEAL,OIL	1				
15	80602110520	RING,RITAINING	2		R52		
16	36400095130	WASHER	1				
17	90101206015	BOLT	1		M6X15		
18	90191208020	BOLT	4		M8X20		
19	90191208014	BOLT	3		M8X14		
20	90302040801	WASHER,SPRING	7		8		
21	36401025060	PLUG	1				
22	36401025070	WASHER,PLAIN	1				
24	36401025090	PLATE,NAME	1				
25	36401025100	PACKING	1				
26	36401695040	BOLT,STUD	6		M10X1.25/1.5X47		
27	90267201000	NUT	6		M10		
28	90302041001	WASHER,SPRING	6		10		
29	31790770100	SUPPORT	1				
31	36401025120	NUT (REINFORCER)	1				
50	36400850000	POWER TAKE OFF	1				
100	31790780000	POWER TAKE OFF	1				

TM-ZR360 41102310070A FRAME/SL, MANUAL, HOOK-IN  
PB1030111-00 POWER TAKE OFF



**TM-ZR360 41102310070A FRAME/SL, MANUAL, HOOK-IN**

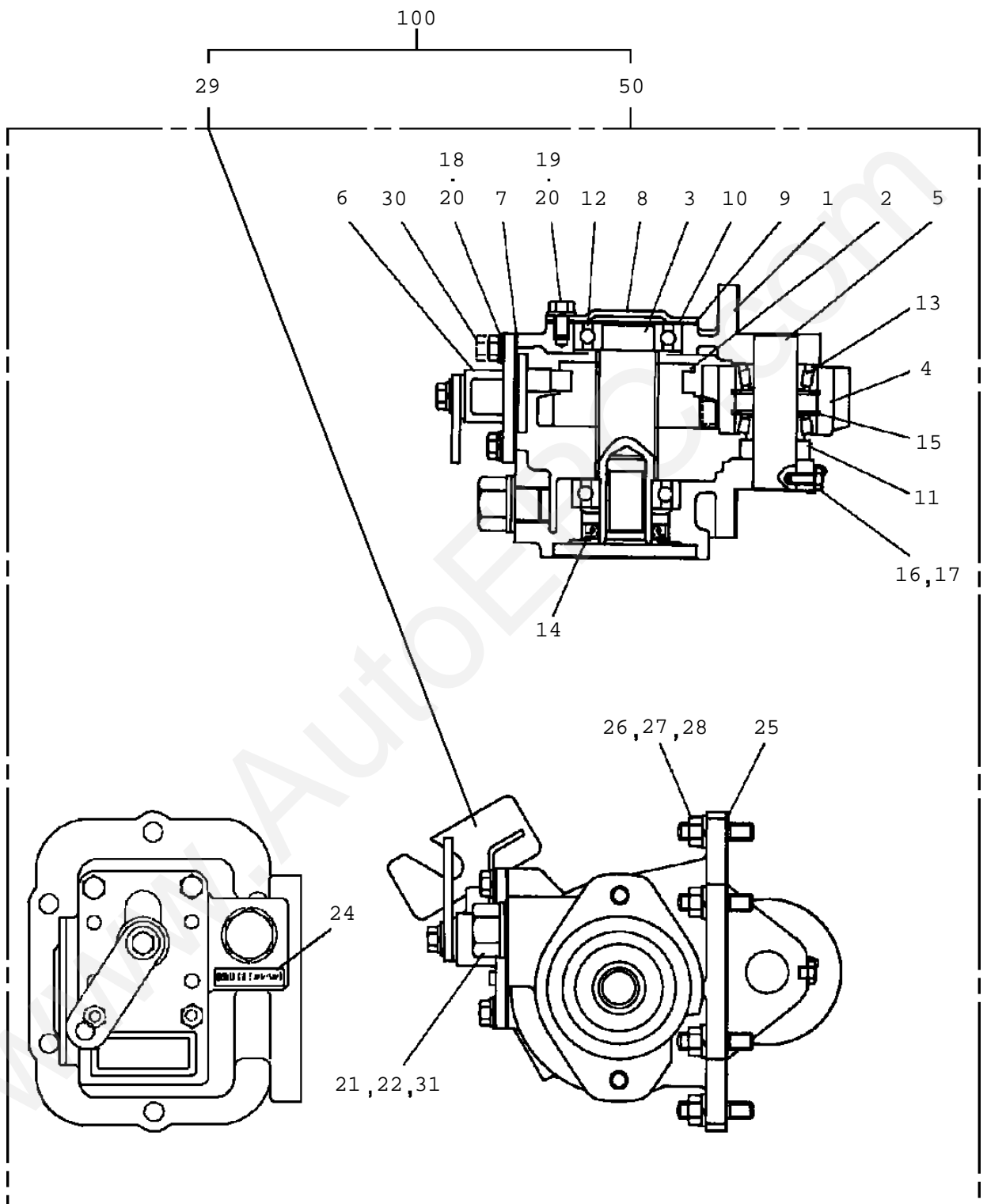
Pos No.	Parts No	Parts Name	Qty	Unit	Technical Data	Serial No (Start
2	36400956010	CASE (P.T.O)	1			
3	51630103020	SHAFT (POWER TAKE OFF)	1			
4	51630103030	BEARING, NEEDLE	1			
5	36400945010	GEAR	1			
7	51630103050	WASHER	2			
8	51630103060	PIN, SPRING	1			
9	36400955020	SHAFT (OUTPUT)	1			
10	51630103080	BEARING, NEEDLE	2			
11	51630104020	GEAR	1			
13	51630103100	WASHER	1			
15	51630103110	SLEEVE	1			
16	80500006206	BEARING, BALL	3			
17	52630106230	COVER (FRONT)	1			
18	36400955030	ADAPTER	1			
19	51630103140	GASKET	2			
20	51630103150	BOLT	4			
21	36400956020	BOLT	4		M8X1.25X30	
22	36400955050	SEAL, OIL	1			
25	51630103170	SHAFT	1			
26	51630103180	FORK	1			
27	51630103190	BOLT	1			
29	36400956030	PIN	1			
30	51630103200	PLUG	1			
31	51630103210	PLUG	1			
32	51630103220	SEAL, OIL	1			
33	51630103230	BOLT	1			
35	51630103240	NUT	1			
36	51630103250	GASKET	1			
37	51630103260	GASKET	1			
38	36400315040	BOLT	6			
40	36400955060	COUPLING	1			
41	36400955070	RING, STOP	1			
50	36400940000	POWER TAKE OFF	1			



**TM-ZR360 41102310070A FRAME/SL, MANUAL, HOOK-IN**

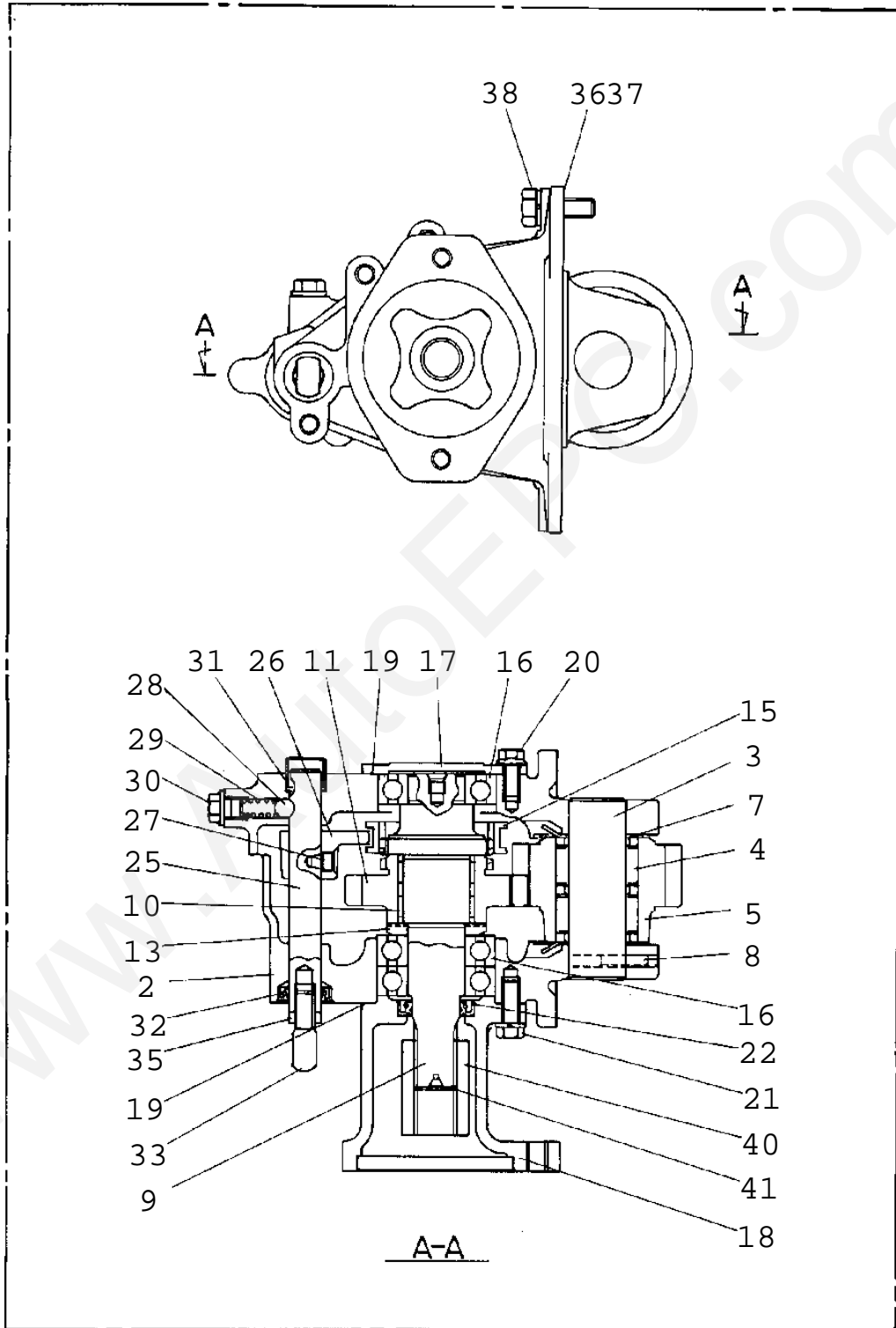
Pos No.	Parts No	Parts Name	Qty	Unit	Technical Data	Serial No (Start
2	36400956010	CASE (P.T.O)	1			
3	51630103020	SHAFT (POWER TAKE OFF)	1			
4	51630103030	BEARING, NEEDLE	1			
6	36400955010	GEAR	1			
7	51630103050	WASHER	2			
8	51630103060	PIN, SPRING	1			
9	36400955020	SHAFT (OUTPUT)	1			
10	51630103080	BEARING, NEEDLE	2			
12	51630103090	GEAR, OUTPUT	1			
13	51630103100	WASHER	1			
15	51630103110	SLEEVE	1			
16	80500006206	BEARING, BALL	3			
17	52630106230	COVER (FRONT)	1			
18	36400955030	ADAPTER	1			
19	51630103140	GASKET	2			
20	51630103150	BOLT	4			
21	36400956020	BOLT	4		M8X1.25X30	
22	36400955050	SEAL, OIL	1			
25	51630103170	SHAFT	1			
26	51630103180	FORK	1			
27	51630103190	BOLT	1			
28	36400956030	PIN	1			
29	52630106190	SPRING	1			
30	51630103200	PLUG	1			
31	51630103210	PLUG	1			
32	51630103220	SEAL, OIL	1			
33	51630103230	BOLT	1			
35	51630103240	NUT	1			
36	51630103250	GASKET	1			
37	51630103260	GASKET	1			
38	36400315040	BOLT	6			
40	36400955060	COUPLING	1			
41	36400955070	RING, STOP	1			
50	36400950000	POWER TAKE OFF	1			

TM-ZR360 41102310070A FRAME/SL, MANUAL, HOOK-IN  
PB1030114-03 POWER TAKE OFF



**TM-ZR360 41102310070A FRAME/SL, MANUAL, HOOK-IN**

Pos No.	Parts No	Parts Name	Qty	Unit	Technical Data	Serial No (Start)	Se
1	36401025010	CASE	1				
2	36401025020	GEAR	1				
3	36400845030	SHAFT	1				
4	36401025030	GEAR	1				
5	36400395050	SHAFT	1				
6	36400095100	SHIFTER ASSY	1				
7	36400095110	PACKING	1				
8	36400095070	COVER (BEARING)	1				
9	36400095080	PACKING (COVER)	1				
10	36400095090	SHIM	1				
11	36400675030	COLLAR	1				
12	80500006206	BEARING,BALL	2				
13	36401025050	BEARING	2				
14	91206030005	SEAL,OIL	1				
15	80602110470	RING,RITAINING	2		R47		
16	36400095130	WASHER	1				
17	90101206015	BOLT	1		M6X15		
18	90191208020	BOLT	4		M8X20		
19	90191208014	BOLT	3		M8X14		
20	90302040801	WASHER,SPRING	7		8		
21	36401025060	PLUG	1				
22	36401025070	WASHER,PLAIN	1				
24	36401025090	PLATE,NAME	1				
25	36401025100	PACKING	1				
26	36400095150	BOLT,STUD	6		M10X1.25/1.5X43		
27	90267201000	NUT	6		M10		
28	90302041001	WASHER,SPRING	6		10		
29	31790770100	SUPPORT	1				
30	90191208025	BOLT	2		M8X25		
31	36401025120	NUT (REINFORCER)	1				
50	36401020000	POWER TAKE OFF	1				
100	31790810000	POWER TAKE OFF	1				

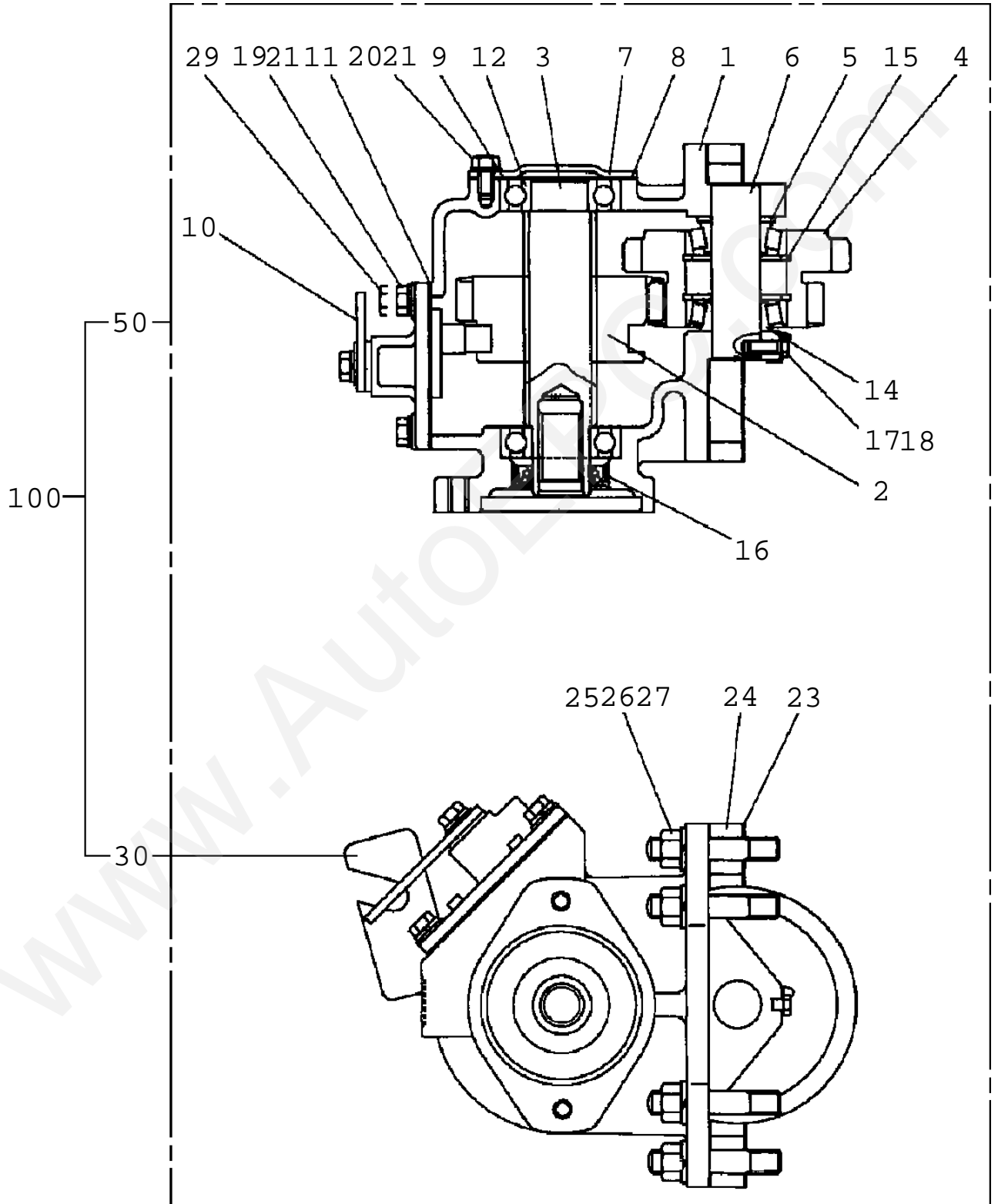




**TM-ZR360 41102310070A FRAME/SL, MANUAL, HOOK-IN**

Pos No.	Parts No	Parts Name	Qty	Unit	Technical Data	Serial No (Start
2	51630103010	CASE (P.T.O)	1			
3	51630103020	SHAFT (POWER TAKE OFF)	1			
4	51630103030	BEARING, NEEDLE	1			
5	36401045010	GEAR	1			
7	51630103050	WASHER	2			
8	51630103060	PIN, SPRING	1			
9	36400955020	SHAFT (OUTPUT)	1			
10	51630103080	BEARING, NEEDLE	2			
11	36401045020	GEAR	1			
13	51630103100	WASHER	1			
15	51630103110	SLEEVE	1			
16	80500006206	BEARING, BALL	3			
17	52630106230	COVER (FRONT)	1			
18	36400955030	ADAPTER	1			
19	51630103140	GASKET	2			
20	51630103150	BOLT	4			
21	36400955040	BOLT	4		M8X25X1.25	
22	36400955050	SEAL, OIL	1			
25	51630103170	SHAFT	1			
26	51630103180	FORK	1			
27	51630103190	BOLT	1			
28	52630106200	BALL, STEEL	1			
29	52630106190	SPRING	1			
30	51630103200	PLUG	1			
31	51630103210	PLUG	1			
32	51630103220	SEAL, OIL	1			
33	51630103230	BOLT	1			
35	51630103240	NUT	1			
36	51630103250	GASKET	1			
37	51630103260	GASKET	1			
38	36400315040	BOLT	6			
40	36400955060	COUPLING	1			
41	36400955070	RING, STOP	1			
50	36401040000	POWER TAKE OFF	1			

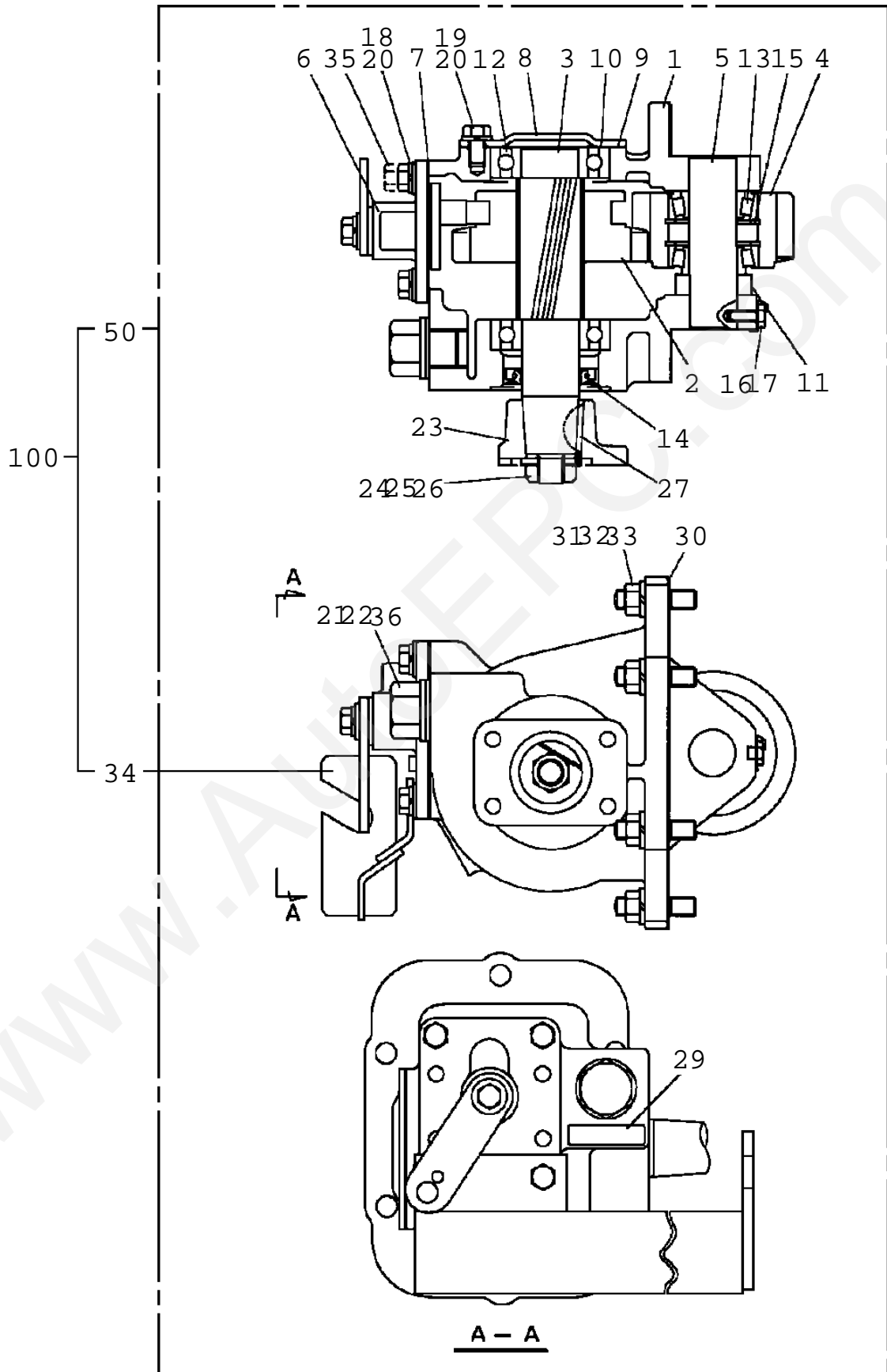
TM-ZR360 41102310070A FRAME/SL, MANUAL, HOOK-IN  
PB1030118-02 POWER TAKE OFF



**TM-ZR360 41102310070A FRAME/SL,MANUAL,HOOK-IN**

Pos No.	Parts No	Parts Name	Qty	Unit	Technical Data	Serial No (Start)	Seri
1	36401105010	CASE	1				
2	36401105100	GEAR	1				
3	36401105030	SHAFT	1				
4	36401105110	GEAR	1				
5	36401105050	COLLAR	1				
6	36400395050	SHAFT	1				
7	36400095070	COVER (BEARING)	1				
8	36400095080	PACKING (COVER)	1				
9	36400095090	SHIM	1				
10	36401105060	SHIFTER SET	1				
11	36400995080	PACKING	1				
12	80500006206	BEARING,BALL	2				
14	36400675050	BEARING	2				
15	80602110520	RING,RITAINING	2		R52		
16	91206030005	SEAL,OIL	1				
17	90101206015	BOLT	1		M6X15		
18	36400095130	WASHER	1				
19	90191208020	BOLT	4		M8X20		
20	90191208014	BOLT	3		M8X14		
21	90302040801	WASHER,SPRING	7		8		
23	36400915060	PACKING	2				
24	36401105120	SPACER	1				
25	36401105080	BOLT	6				
26	90267401200	NUT	6				
27	90302041201	WASHER,SPRING	6		12		
29	90191208025	BOLT	2		M8X25		
30	31790790100	SUPPORT	1				
50	36401100000	POWER TAKE OFF	1				
100	31790850000	POWER TAKE OFF	1				

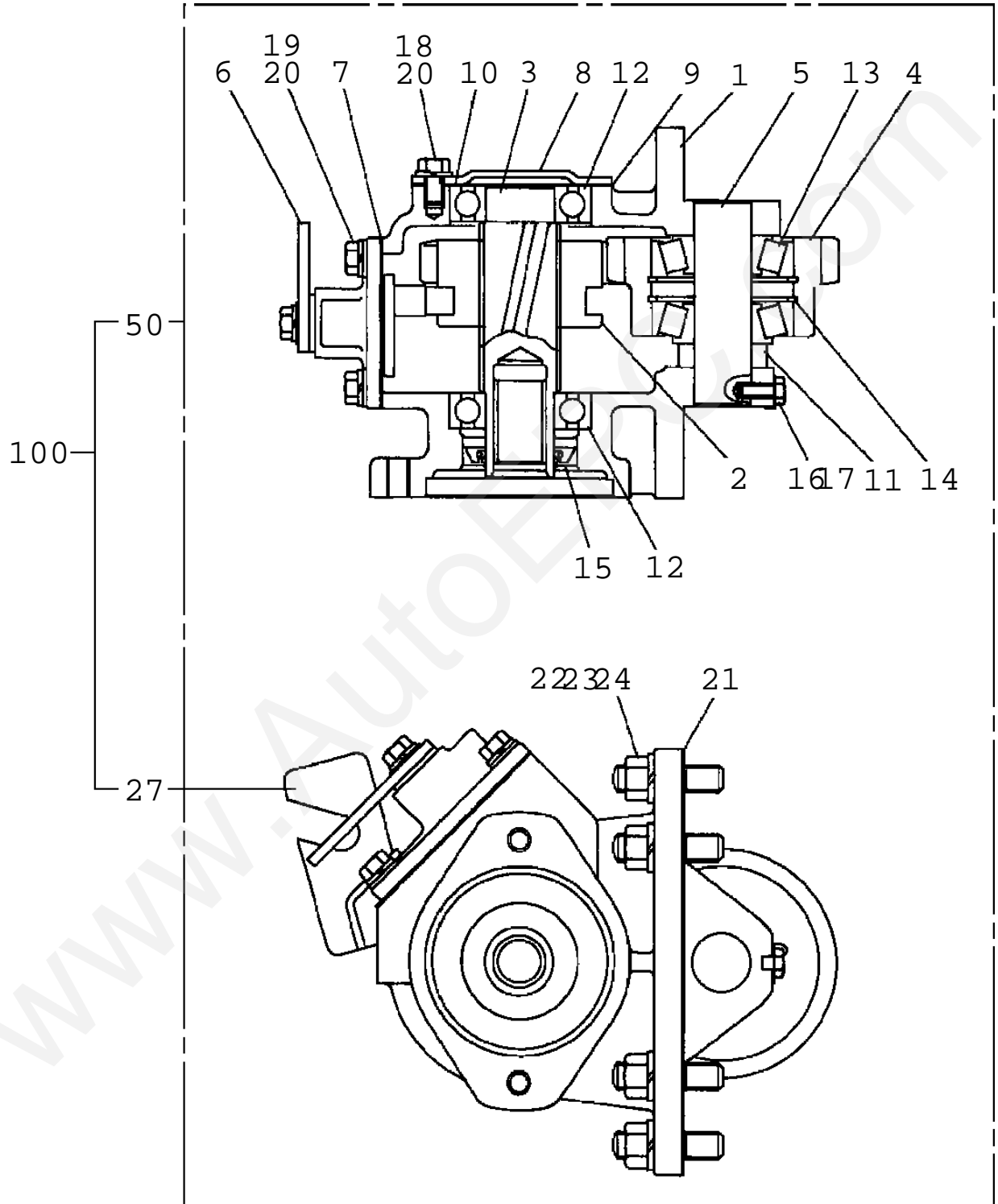
TM-ZR360 41102310070A FRAME/SL, MANUAL, HOOK-IN  
PB1030122-01 POWER TAKE OFF



**TM-ZR360 41102310070A FRAME/SL, MANUAL, HOOK-IN**

Pos No.	Parts No	Parts Name	Qty	Unit	Technical Data	Serial No (Start)	Se
1	36401035010	CASE	1				
2	36401025020	GEAR	1				
3	36401035020	SHAFT	1				
4	36401025030	GEAR	1				
5	36400395050	SHAFT	1				
6	36400095100	SHIFTER ASSY	1				
7	36400095110	PACKING	1				
8	36400095070	COVER (BEARING)	1				
9	36400095080	PACKING (COVER)	1				
10	36400095090	SHIM	1				
11	36400675030	COLLAR	1				
12	80500006206	BEARING,BALL	2				
13	36401025050	BEARING	2				
14	91206030005	SEAL,OIL	1				
15	80602110470	RING,RITAINING	2		R47		
16	36400095130	WASHER	1				
17	90101206015	BOLT	1		M6X15		
18	90191208020	BOLT	4		M8X20		
19	90191208014	BOLT	3		M8X14		
20	90302040801	WASHER,SPRING	7		8		
21	36401025060	PLUG	1				
22	36401025070	WASHER,PLAIN	1				
23	36400725030	COUPLING	1				
24	36400725080	WASHER,PLAIN	1				
25	36400725050	WASHER	1				
26	36400725070	NUT	1		M14		
27	36400135100	KEY	1				
29	36401025090	PLATE,NAME	1				
30	36401025100	PACKING	1				
31	36400095150	BOLT,STUD	6		M10X1.25/1.5X43		
32	90267201000	NUT	6		M10		
33	90302041001	WASHER,SPRING	6		10		
34	31790770100	SUPPORT	1				
35	90191208025	BOLT	2		M8X25		
36	36401025120	NUT (REINFORCER)	1				
50	36401030000	POWER TAKE OFF	1				
100	31791970000	POWER TAKE OFF	1				

TM-ZR360 41102310070A FRAME/SL, MANUAL, HOOK-IN  
PB1030125-01 POWER TAKE OFF

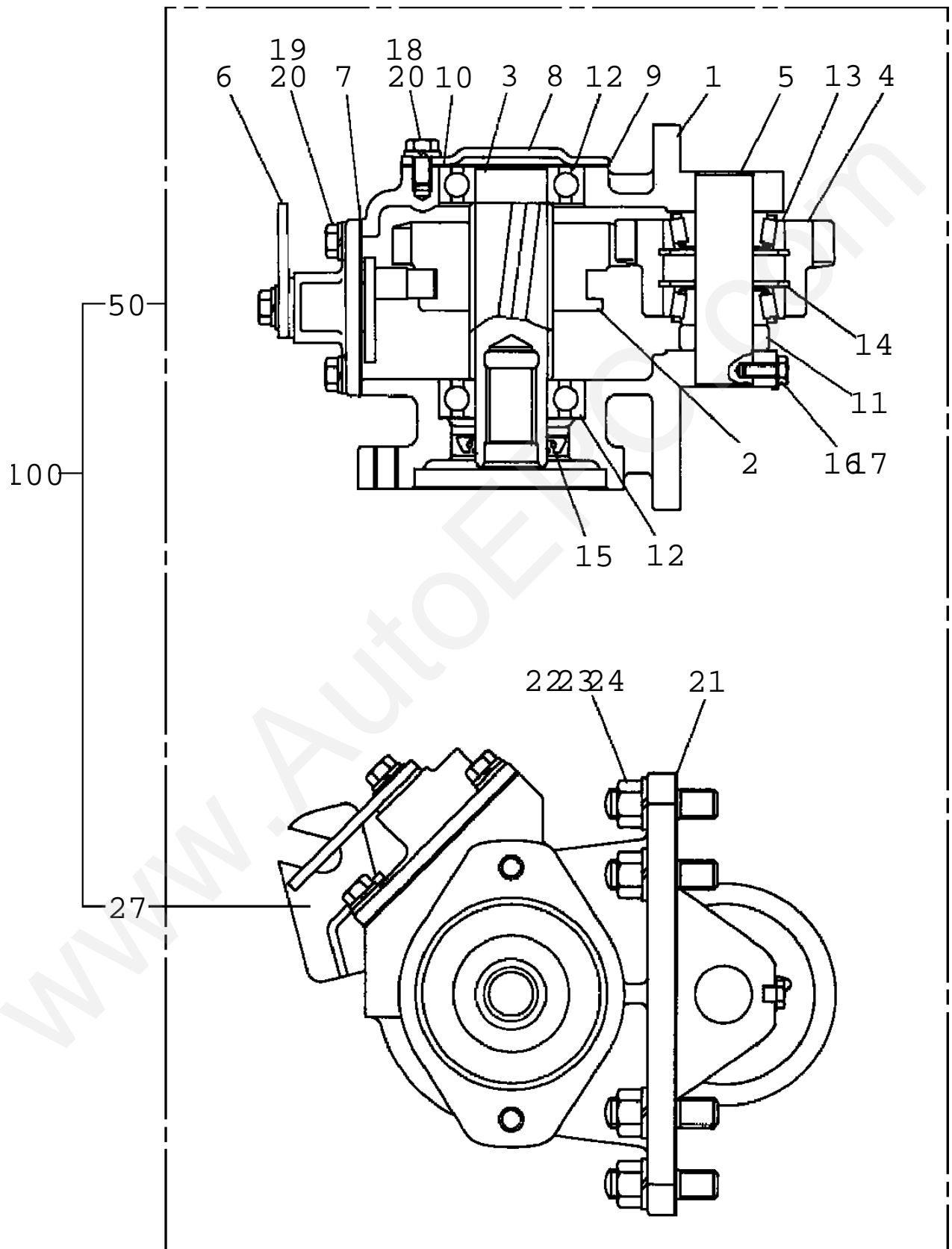


**TM-ZR360 41102310070A FRAME/SL,MANUAL,HOOK-IN**

Pos No.	Parts No	Parts Name	Qty	Unit	Technical Data	Serial No (Start)	Seri
1	36400915010	CASE	1				
2	36400915020	GEAR	1				
3	36400915030	SHAFT	1				
4	36400915040	GEAR	1				
5	36400395050	SHAFT	1				
6	36400095100	SHIFTER ASSY	1				
7	36400095110	PACKING	1				
8	36400095070	COVER (BEARING)	1				
9	36400095080	PACKING (COVER)	1				
10	36400095090	SHIM	1				
11	36400675030	COLLAR	1				
12	80500006206	BEARING,BALL	2				
13	36400915050	BEARING	2				
14	80602110620	RING,RITAINING	2		R62		
15	91206030005	SEAL,OIL	1				
16	90191206012	BOLT	1		M6X12		
17	36400095130	WASHER	1				
18	90191208014	BOLT	3		M8X14		
19	90191208020	BOLT	4		M8X20		
20	90302040801	WASHER,SPRING	7		8		
21	36400915060	PACKING	1				
22	36400435120	BOLT,STUD	6				
23	90267401200	NUT	6				
24	90302041201	WASHER,SPRING	6		12		
27	31790670100	SUPPORT	1				
50	36400910000	POWER TAKE OFF	1				
100	31791950000	POWER TAKE OFF	1				

www.AutoEPC.com

TM-ZR360 41102310070A FRAME/SL, MANUAL, HOOK-IN  
PB1030127-01 POWER TAKE OFF



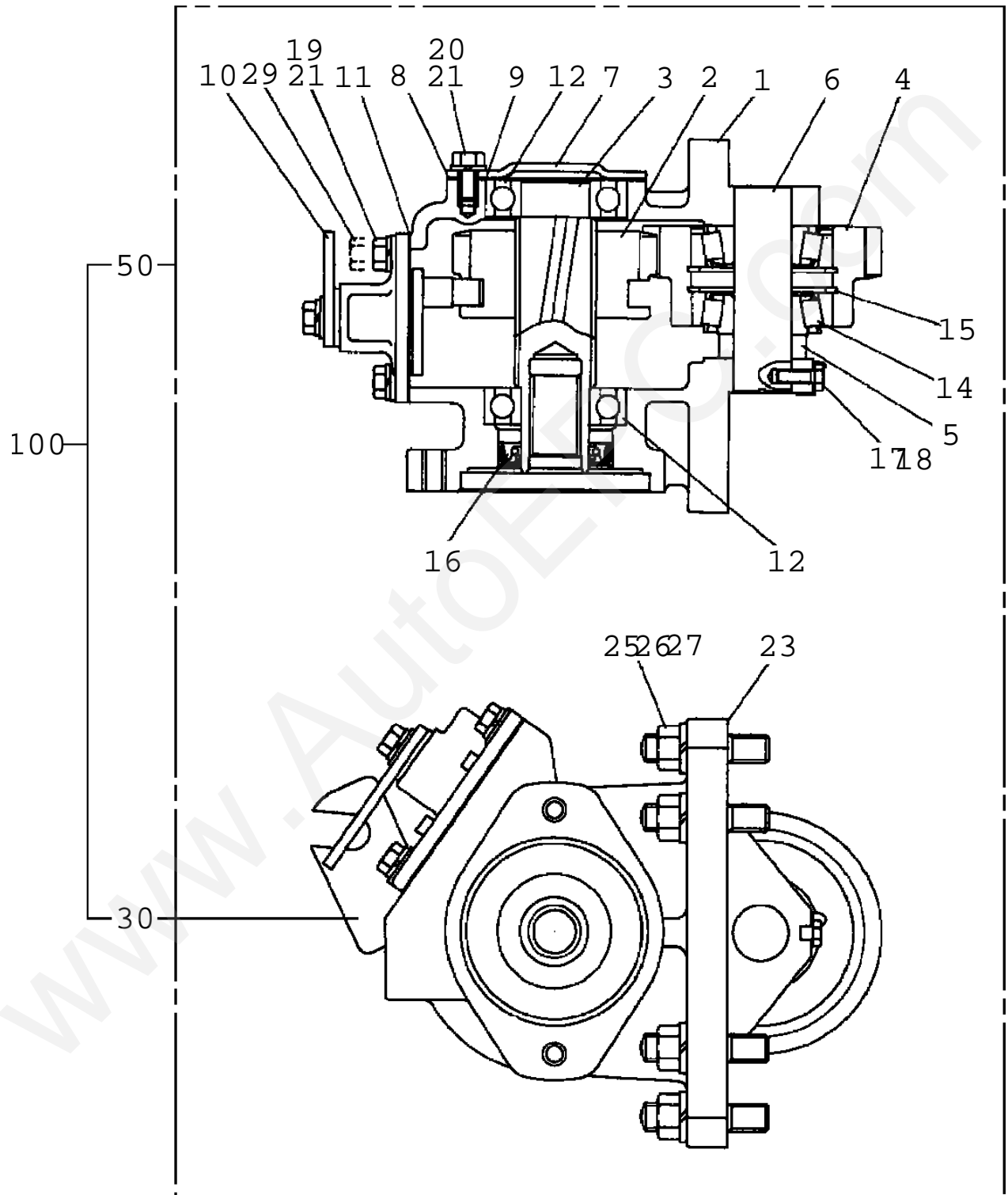


**TM-ZR360 41102310070A FRAME/SL,MANUAL,HOOK-IN**

Pos No.	Parts No	Parts Name	Qty	Unit	Technical Data	Serial No (Start)	Seri
1	36401055010	CASE	1				
2	36401055020	GEAR	1				
3	36401055030	SHAFT	1				
4	36401055040	GEAR	1				
5	36400395050	SHAFT	1				
6	36400095100	SHIFTER ASSY	1				
7	36400095110	PACKING	1				
8	36400095070	COVER (BEARING)	1				
9	36400095080	PACKING (COVER)	1				
10	36400095090	SHIM	1				
11	36400675030	COLLAR	1				
12	80500006206	BEARING,BALL	2				
13	36400675050	BEARING	2				
14	80602110520	RING,RITAINING	2		R52		
15	91206030005	SEAL,OIL	1				
16	90191206015	BOLT	1		M6		
17	36400095130	WASHER	1				
18	90191208014	BOLT	3		M8X14		
19	90191208020	BOLT	4		M8X20		
20	90302040801	WASHER,SPRING	7		8		
21	36400915060	PACKING	1				
22	36400435120	BOLT,STUD	6				
23	90267401200	NUT	6				
24	90302041201	WASHER,SPRING	6		12		
27	31790830100	SUPPORT	1				
50	36401050000	POWER TAKE OFF	1				
100	31790830000	POWER TAKE OFF	1				

www.AutoEPC.com

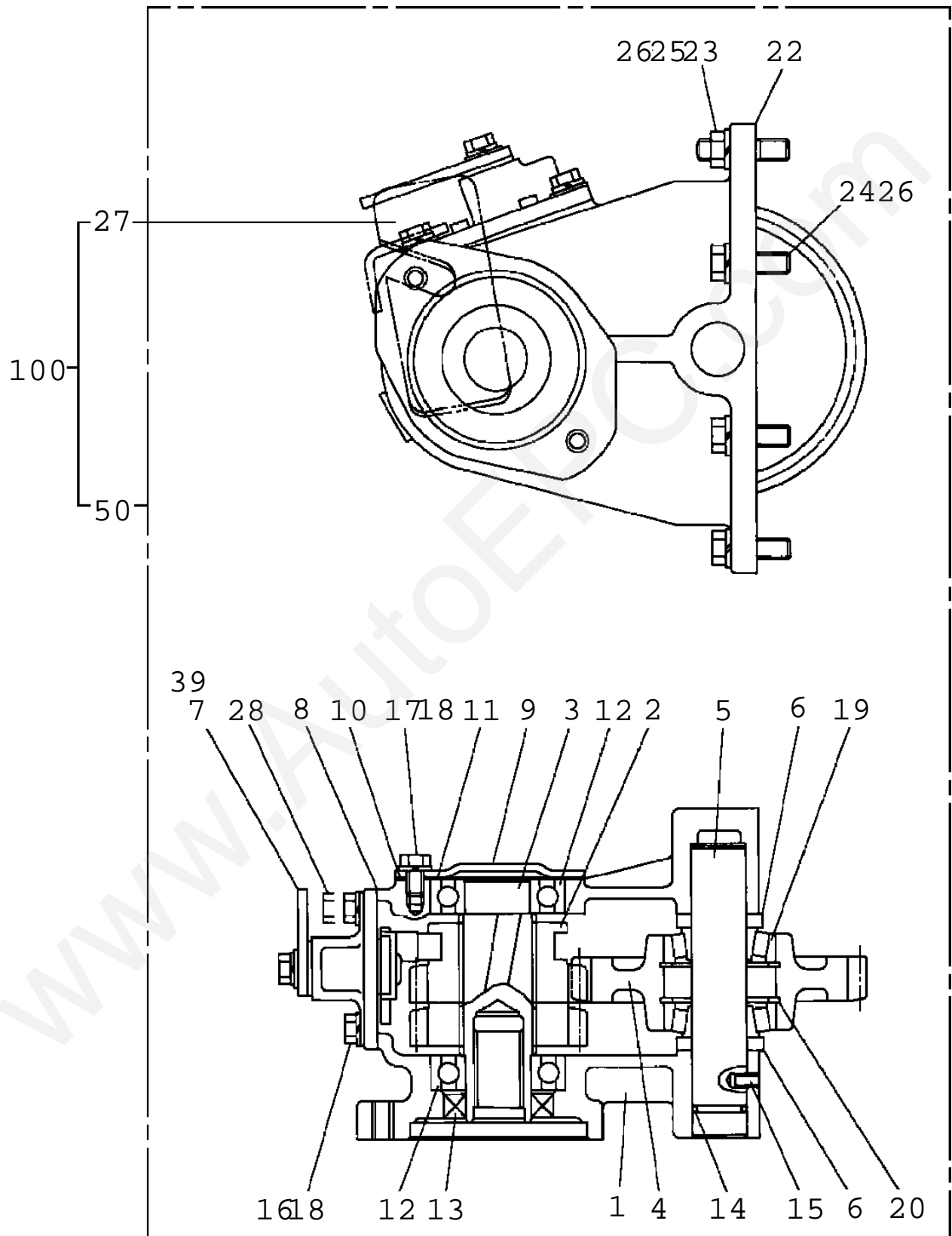
TM-ZR360 41102310070A FRAME/SL, MANUAL, HOOK-IN  
PB1030128-01 POWER TAKE OFF



**TM-ZR360 41102310070A FRAME/SL,MANUAL,HOOK-IN**

Pos No.	Parts No	Parts Name	Qty	Unit	Technical Data	Serial No (Start)	Seri
1	36401095080	CASE	1				
2	36401095020	GEAR	1				
3	36400915030	SHAFT	1				
4	36401095030	GEAR	1				
5	36400675030	COLLAR	1				
6	36400395050	SHAFT	1				
7	36400095070	COVER (BEARING)	1				
8	36400095080	PACKING (COVER)	1				
9	36400095090	SHIM	1				
10	36400095100	SHIFTER ASSY	1				
11	36400095110	PACKING	1				
12	80500006206	BEARING,BALL	2				
14	36400135070	BEARING	2				
15	80602110620	RING,RITAINING	2		R62		
16	91206030005	SEAL,OIL	1				
17	90101206015	BOLT	1		M6X15		
18	36400095130	WASHER	1				
19	90191208020	BOLT	4		M8X20		
20	90191208014	BOLT	3		M8X14		
21	90302040801	WASHER,SPRING	7		8		
23	36400915060	PACKING	1				
25	36401095040	BOLT	6				
26	90267401200	NUT	6				
27	90302041201	WASHER,SPRING	6		12		
29	90191208025	BOLT	2		M8X25		
30	31790830100	SUPPORT	1				
50	36401090000	POWER TAKE OFF	1				
100	31790840000	POWER TAKE OFF	1				

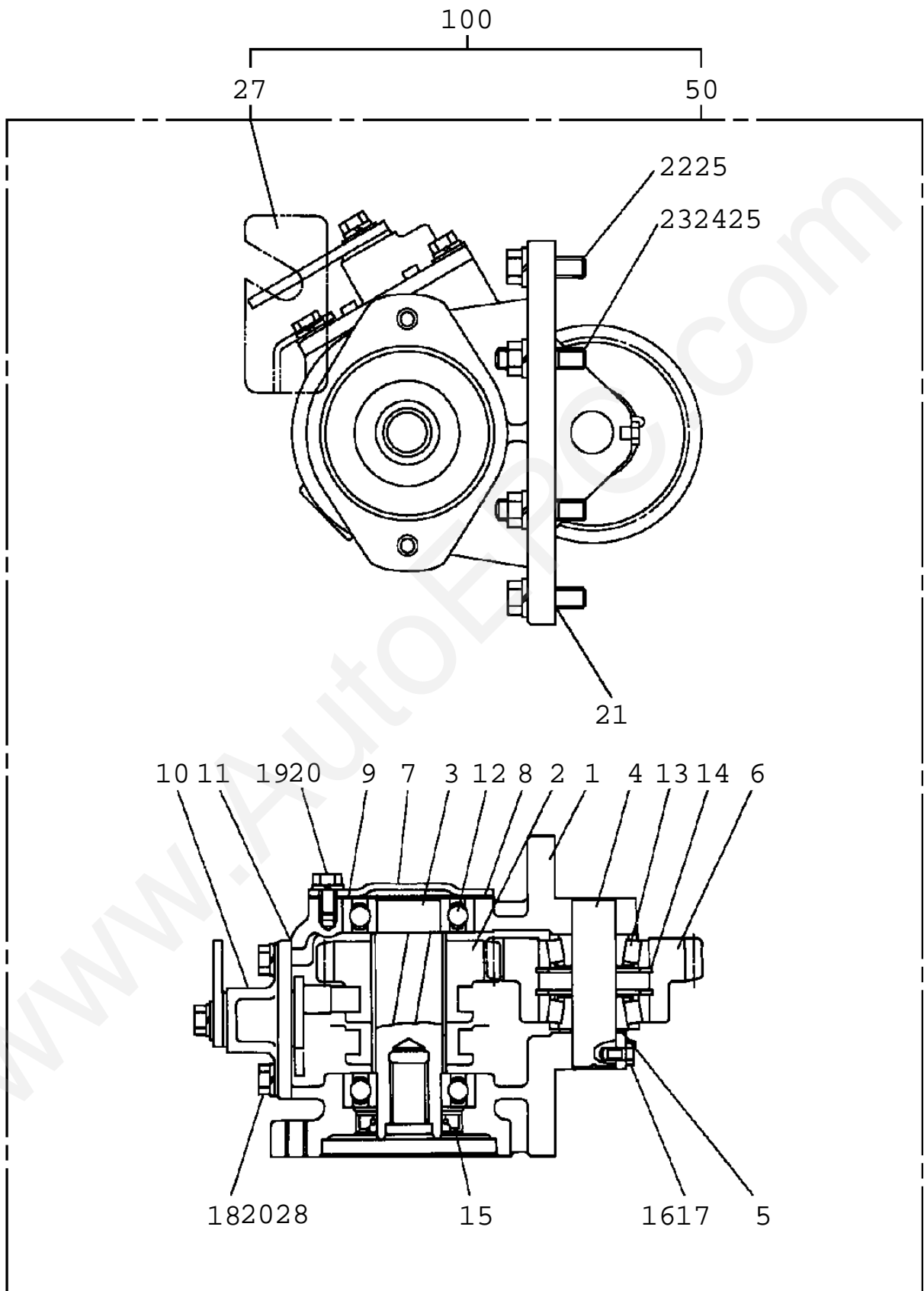
TM-ZR360 41102310070A FRAME/SL, MANUAL, HOOK-IN  
PB1030135-02 POWER TAKE OFF



**TM-ZR360 41102310070A FRAME/SL, MANUAL, HOOK-IN**

Pos No.	Parts No	Parts Name	Qty	Unit	Technical Data	Serial No (Start)	Ser
1	36400895010	CASE	1				
2	36400895020	GEAR	1				
3	36400895030	SHAFT	1				
4	36400895040	GEAR	1				
5	36400415050	SHAFT	1				
6	36400215070	COLLAR	2				
7	36400225110	SHIFTER SET	1				
8	36400095110	PACKING	1				
9	36400095070	COVER (BEARING)	1				
10	36400095080	PACKING (COVER)	1				
11	36400095090	SHIM	1				
12	80500006206	BEARING, BALL	2				
13	91206030005	SEAL, OIL	1				
14	91001102100	O-RING	1		1A P21		
15	90710006120	SCREW, SET	1		M6X12		
16	90191208020	BOLT	4		M8X20		
17	90191208014	BOLT	3		M8X14		
18	90302040801	WASHER, SPRING	7		8		
19	36400675050	BEARING	2				
20	80602110520	RING, RITAINING	2		R52		
22	36400415100	PACKING (CASE)	1				
23	36400095150	BOLT, STUD	2		M10X1.25/1.5X43		
24	90191210030	BOLT	6		M10X30		
25	90267201000	NUT	2		M10		
26	90302041001	WASHER, SPRING	8		10		
27	31790910100	SUPPORT	1				
28	90191208025	BOLT	2		M8X25		
39	36400225160	SEAL, OIL	1				
50	36401180000	POWER TAKE OFF	1				
100	31790910000	POWER TAKE OFF	1				

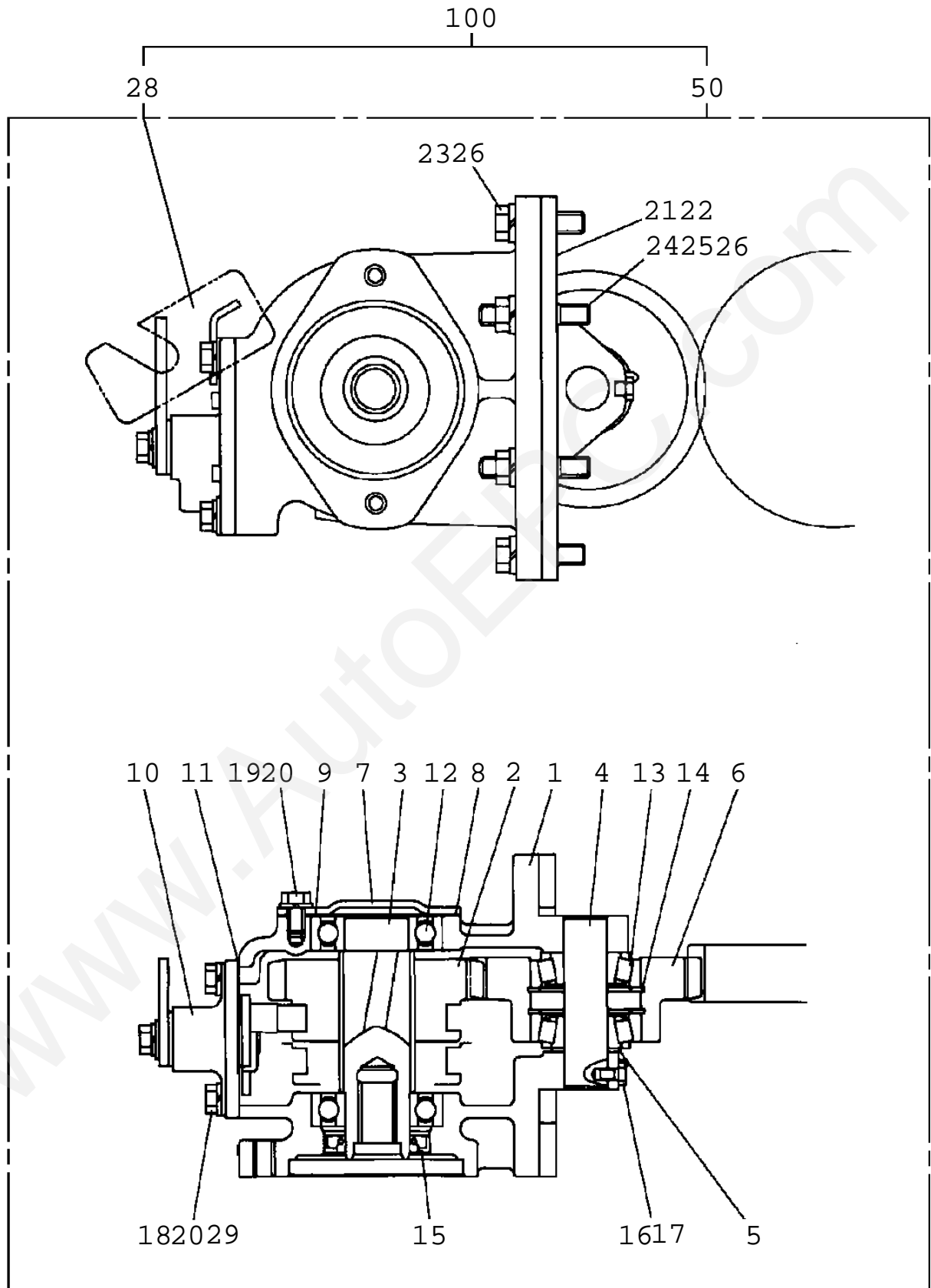
TM-ZR360 41102310070A FRAME/SL, MANUAL, HOOK-IN  
PB1030136-02 POWER TAKE OFF



**TM-ZR360 41102310070A FRAME/SL,MANUAL,HOOK-IN**

Pos No.	Parts No	Parts Name	Qty	Unit	Technical Data	Serial No (Start)	Ser
1	36401345010	CASE	1				
2	36400865020	GEAR	1				
3	36400895030	SHAFT	1				
4	36400095040	SHAFT	1				
5	36400095050	COLLAR	1				
6	36400865040	GEAR	1				
7	36400095070	COVER (BEARING)	1				
8	36400095080	PACKING (COVER)	1				
9	36400095090	SHIM	1				
10	36400095100	SHIFTER ASSY	1				
11	36400095110	PACKING	1				
12	80500006206	BEARING,BALL	2				
13	36400095120	BEARING	2				
14	80602110520	RING,RITAINING	2		R52		
15	91206030005	SEAL,OIL	1				
16	90101206012	BOLT	1		M6X12		
17	36400095130	WASHER	1				
18	90191208020	BOLT	4		M8X20		
19	90191208014	BOLT	3		M8X14		
20	90302040801	WASHER,SPRING	7		8		
21	36400335030	SHIM	1				
22	90191210030	BOLT	4		M10X30		
23	36400095150	BOLT,STUD	4		M10X1.25/1.5X43		
24	90267201000	NUT	4		M10		
25	90302041001	WASHER,SPRING	8		10		
27	31790670100	SUPPORT	1				
28	90191208025	BOLT	2		M8X25		
50	36401340000	POWER TAKE OFF	1				
100	31790920000	POWER TAKE OFF	1				

TM-ZR360 41102310070A FRAME/SL, MANUAL, HOOK-IN  
PB1030137-02 POWER TAKE OFF

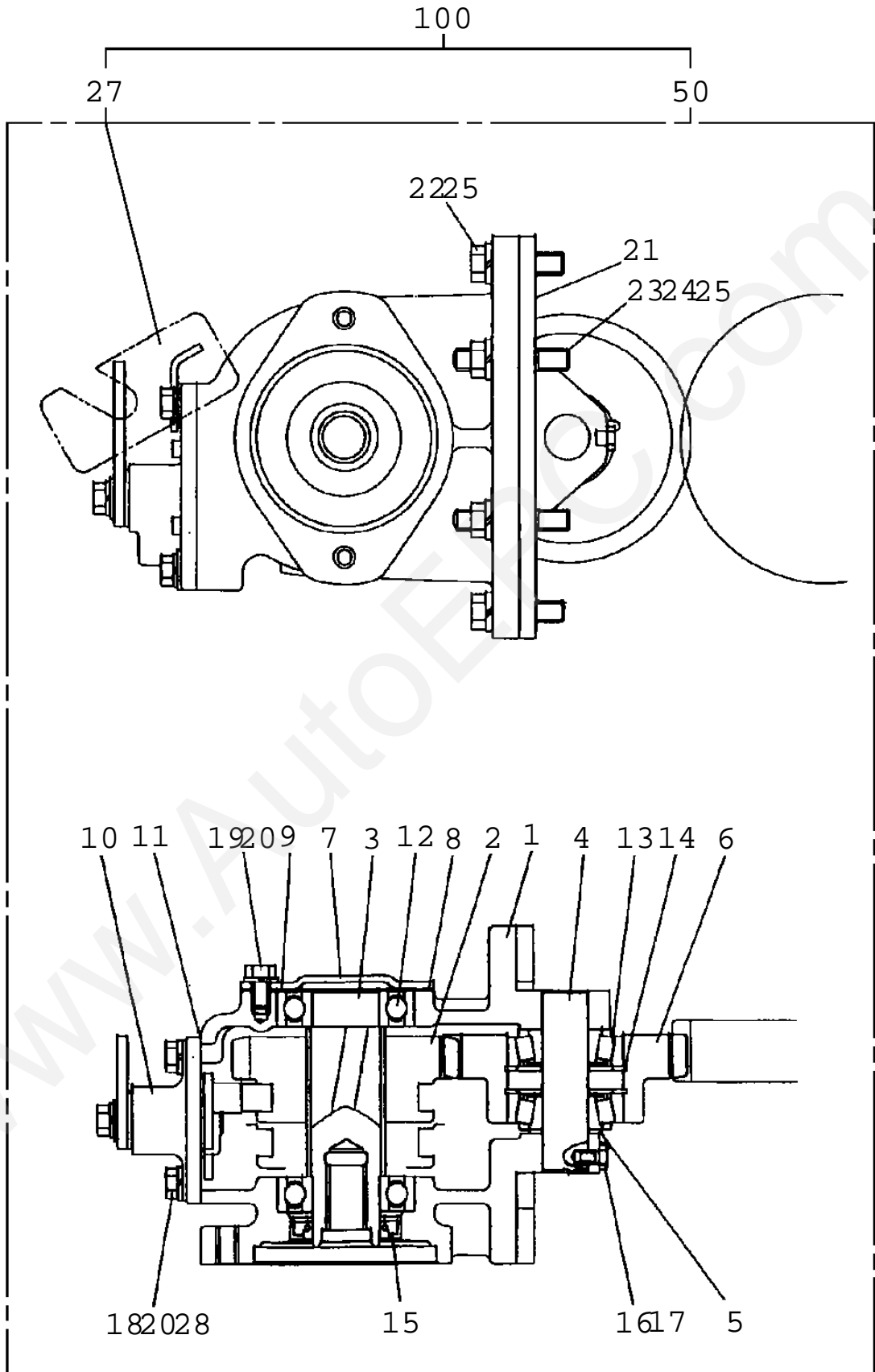




**TM-ZR360 41102310070A FRAME/SL,MANUAL,HOOK-IN**

Pos No.	Parts No	Parts Name	Qty	Unit	Technical Data	Serial No (Start)	Seri
1	36401365010	CASE	1				
2	36401355010	GEAR	1				
3	36401355020	SHAFT	1				
4	36400095040	SHAFT	1				
5	36400095050	COLLAR	1				
6	36401355030	GEAR	1				
7	36400095070	COVER (BEARING)	1				
8	36400095080	PACKING (COVER)	1				
9	36400095090	SHIM	1				
10	36400095100	SHIFTER ASSY	1				
11	36400095110	PACKING	1				
12	80500006206	BEARING,BALL	2				
13	36400095120	BEARING	2				
14	80602110520	RING,RITAINING	2		R52		
15	91206030005	SEAL,OIL	1				
16	90101206012	BOLT	1		M6X12		
17	36400095130	WASHER	1				
18	90191208020	BOLT	4		M8X20		
19	90191208014	BOLT	3		M8X14		
20	90302040801	WASHER,SPRING	7		8		
21	36400345010	SPACER	1				
22	36400335030	SHIM	1				
23	90191210035	BOLT	4		M10X35		
24	36401355040	BOLT	4				
25	90267201000	NUT	4		M10		
26	90302041001	WASHER,SPRING	8		10		
28	31790680100	SUPPORT	1				
29	90191208025	BOLT	2		M8X25		
50	36401350000	POWER TAKE OFF	1				
100	31790930000	POWER TAKE OFF	1				

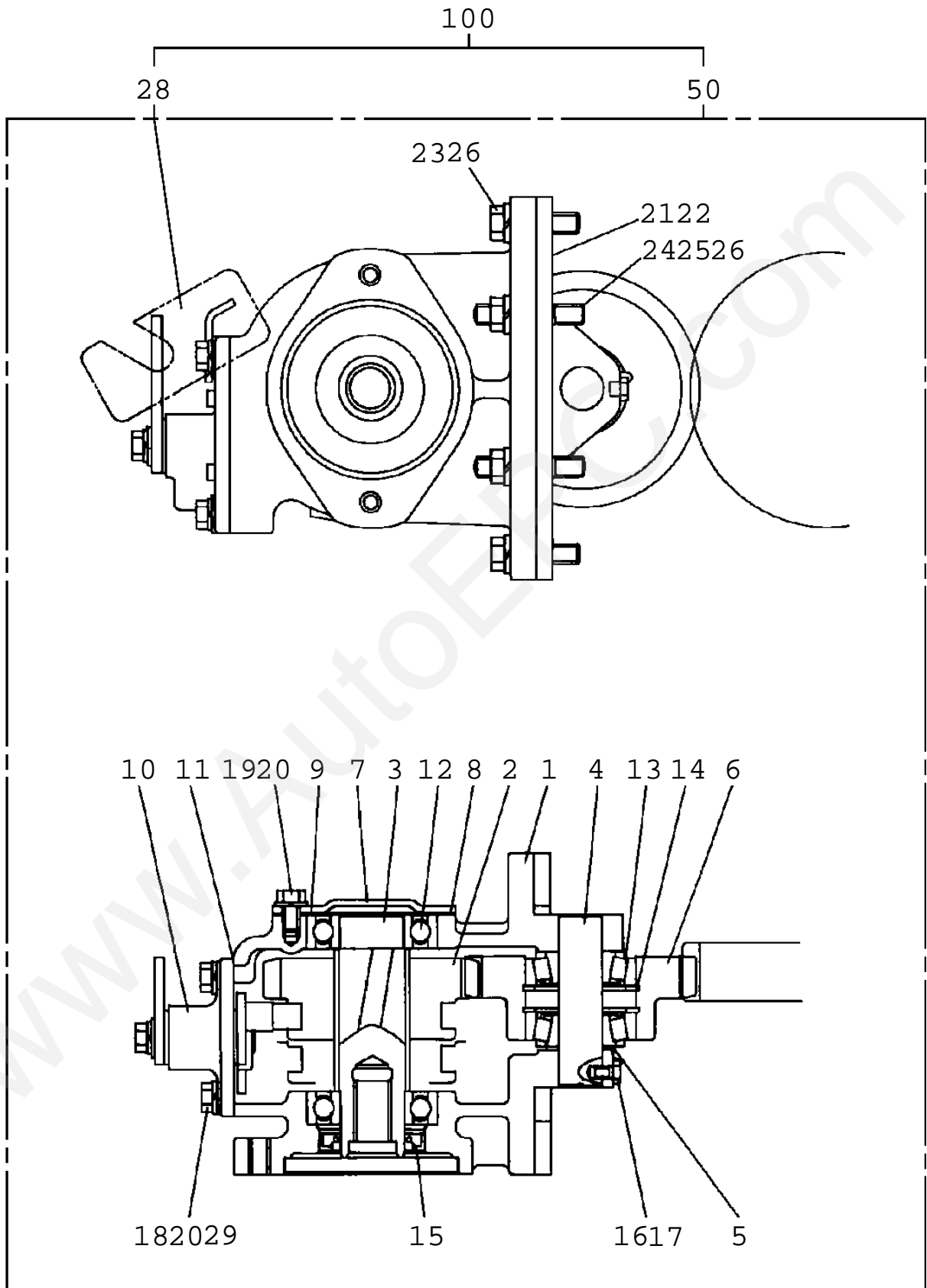
TM-ZR360 41102310070A FRAME/SL, MANUAL, HOOK-IN  
PB1030138-01 POWER TAKE OFF



**TM-ZR360 41102310070A FRAME/SL, MANUAL, HOOK-IN**

Pos No.	Parts No	Parts Name	Qty	Unit	Technical Data	Serial No (Start)	Ser
1	36401365010	CASE	1				
2	36401365020	GEAR	1				
3	36400895030	SHAFT	1				
4	36400095040	SHAFT	1				
5	36400095050	COLLAR	1				
6	36401365030	GEAR	1				
7	36400095070	COVER (BEARING)	1				
8	36400095080	PACKING (COVER)	1				
9	36400095090	SHIM	1				
10	36400095100	SHIFTER ASSY	1				
11	36400095110	PACKING	1				
12	80500006206	BEARING,BALL	2				
13	36400095120	BEARING	2				
14	80602110520	RING,RITAINING	2		R52		
15	91206030005	SEAL,OIL	1				
16	90101206012	BOLT	1		M6X12		
17	36400095130	WASHER	1				
18	90191208020	BOLT	4		M8X20		
19	90191208014	BOLT	3		M8X14		
20	90302040801	WASHER,SPRING	7		8		
21	36400335030	SHIM	1				
22	90191210030	BOLT	4		M10X30		
23	36400095150	BOLT,STUD	4		M10X1.25/1.5X43		
24	90267201000	NUT	4		M10		
25	90302041001	WASHER,SPRING	8		10		
27	31790680100	SUPPORT	1				
28	90191208025	BOLT	2		M8X25		
50	36401360000	POWER TAKE OFF	1				
100	31790940000	POWER TAKE OFF	1				

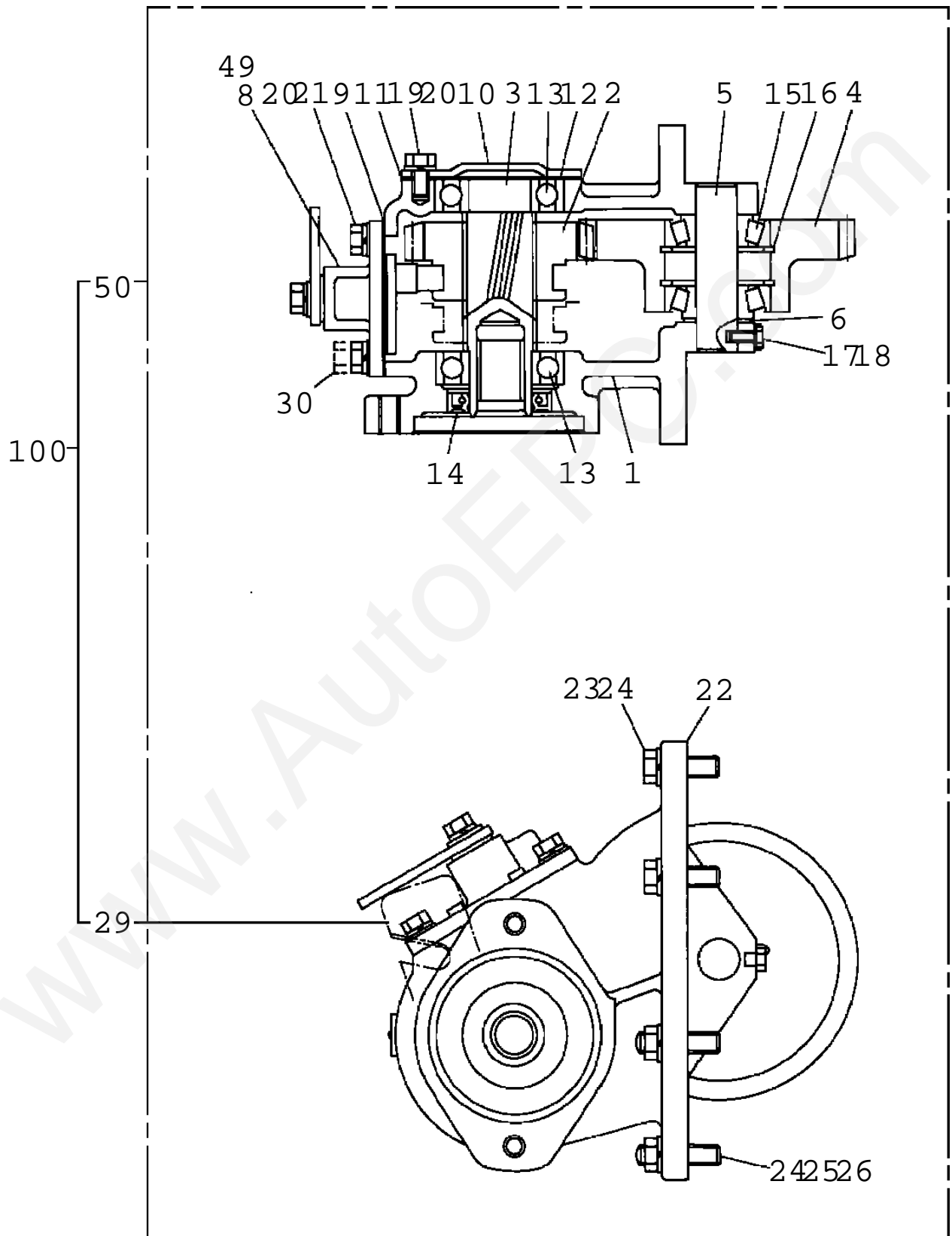
TM-ZR360 41102310070A FRAME/SL, MANUAL, HOOK-IN  
PB1030142-02 POWER TAKE OFF



**TM-ZR360 41102310070A FRAME/SL,MANUAL,HOOK-IN**

Pos No.	Parts No	Parts Name	Qty	Unit	Technical Data	Serial No (Start)	Seri
1	36401365010	CASE	1				
2	36401385010	GEAR	1				
3	36400895030	SHAFT	1				
4	36400095040	SHAFT	1				
5	36400095050	COLLAR	1				
6	36401385020	GEAR	1				
7	36400095070	COVER (BEARING)	1				
8	36400095080	PACKING (COVER)	1				
9	36400095090	SHIM	1				
10	36400095100	SHIFTER ASSY	1				
11	36400095110	PACKING	1				
12	80500006206	BEARING,BALL	2				
13	36400095120	BEARING	2				
14	80602110520	RING,RITAINING	2		R52		
15	91206030005	SEAL,OIL	1				
16	90101206012	BOLT	1		M6X12		
17	36400095130	WASHER	1				
18	90191208020	BOLT	4		M8X20		
19	90191208014	BOLT	3		M8X14		
20	90302040801	WASHER,SPRING	7		8		
21	36400345010	SPACER	1				
22	36400335030	SHIM	1				
23	90191210035	BOLT	4		M10X35		
24	36401385030	BOLT	4				
25	90267201000	NUT	4		M10		
26	90302041001	WASHER,SPRING	8		10		
28	31790680100	SUPPORT	1				
29	90191208025	BOLT	1		M8X25		
50	36401380000	POWER TAKE OFF	1				
100	31790960000	POWER TAKE OFF	1				

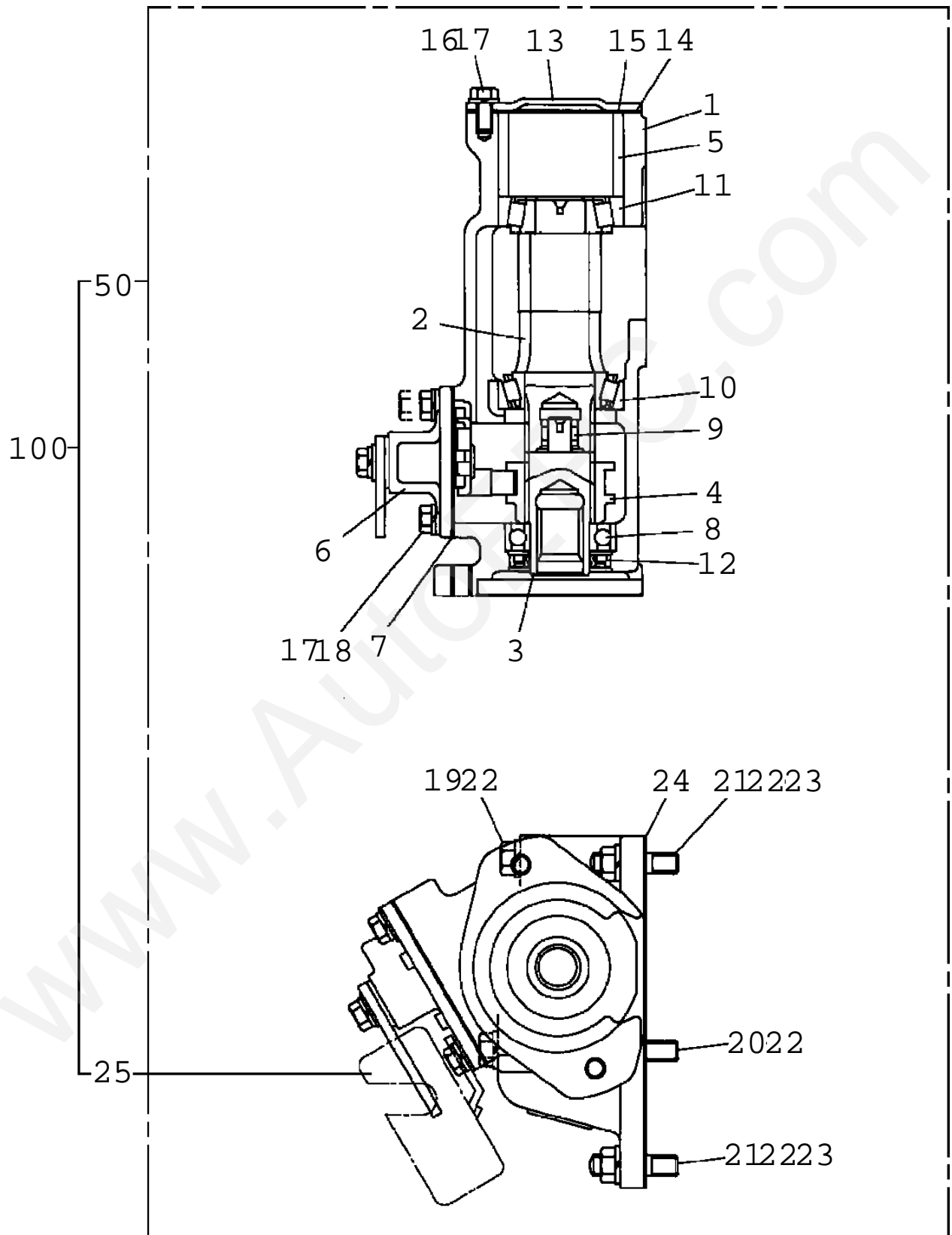
TM-ZR360 41102310070A FRAME/SL, MANUAL, HOOK-IN  
PB1030145-02 POWER TAKE OFF



**TM-ZR360 41102310070A FRAME/SL, MANUAL, HOOK-IN**

Pos No.	Parts No	Parts Name	Qty	Unit	Technical Data	Serial No (Start)	Ser
1	36400905010	CASE	1				
2	36400905020	GEAR	1				
3	36400865030	SHAFT	1				
4	36400905030	GEAR	1				
5	36400095040	SHAFT	1				
6	36400095050	COLLAR	1				
8	36400225110	SHIFTER SET	1				
9	36400095110	PACKING	1				
10	36400095070	COVER (BEARING)	1				
11	36400095080	PACKING (COVER)	1				
12	36400095090	SHIM	1				
13	80500006206	BEARING, BALL	2				
14	91206030005	SEAL, OIL	1				
15	36400095120	BEARING	2				
16	80602110520	RING, RITAINING	2		R52		
17	36400095130	WASHER	12				
18	90101206012	BOLT	1		M6X12		
19	90191208014	BOLT	3		M8X14		
20	90302040801	WASHER, SPRING	7		8		
21	90191208020	BOLT	4		M8X20		
22	36400415100	PACKING (CASE)	1				
23	90191210030	BOLT	4		M10X30		
24	90302041001	WASHER, SPRING	8		10		
25	36400095150	BOLT, STUD	4		M10X1.25/1.5X43		
26	90267201000	NUT	4		M10		
29	31790910100	SUPPORT	1				
30	90191208025	BOLT	2		M8X25		
49	36400225160	SEAL, OIL	1				
50	36401410000	POWER TAKE OFF	1				
100	31790980000	POWER TAKE OFF	1				

TM-ZR360 41102310070A FRAME/SL, MANUAL, HOOK-IN  
PB1030146-01 POWER TAKE OFF

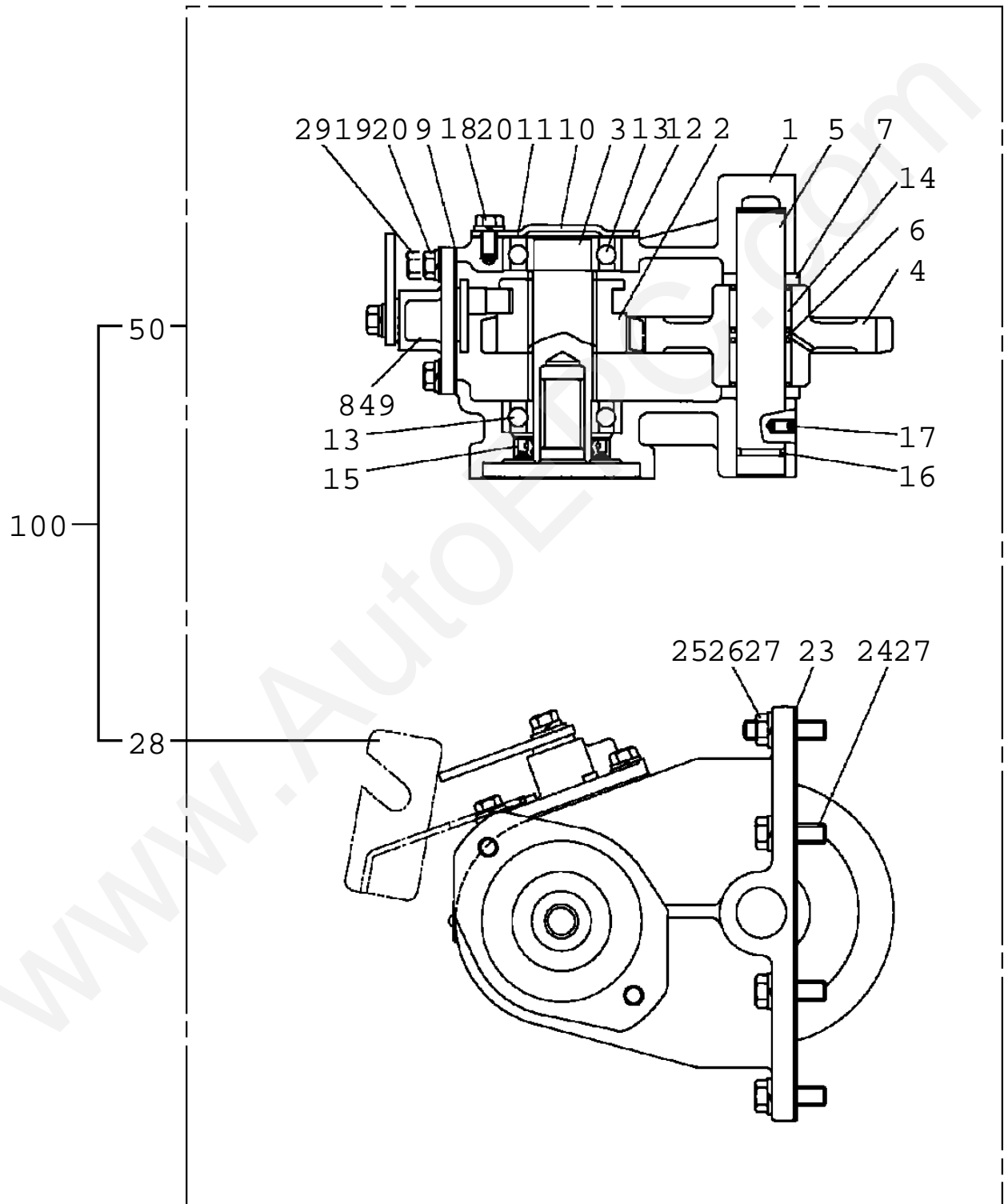




**TM-ZR360 41102310070A FRAME/SL,MANUAL,HOOK-IN**

Pos No.	Parts No	Parts Name	Qty	Unit	Technical Data	Serial No (Start)	Ser
1	36401425010	CASE	1				
2	36401425020	GEAR (TO)	1				
3	36400775010	SHAFT	1				
4	36401125040	SLEEVE	1				
5	36401135070	COLLAR	1				
6	36400095100	SHIFTER ASSY	1				
7	36400095110	PACKING	1				
8	80500006006	BEARING,BALL	1				
9	36400765050	BEARING,NEEDLE	1				
10	36401125080	BEARING,ROLLER	1				
11	36400765070	BEARING	1				
12	91206030005	SEAL,OIL	1				
13	36400095070	COVER (BEARING)	1				
14	36400095080	PACKING (COVER)	1				
15	36400095090	SHIM	N				
16	90191208014	BOLT	3		M8X14		
17	90302040801	WASHER,SPRING	7		8		
18	90191208020	BOLT	4		M8X20		
19	90191210080	BOLT	1		M10X80		
20	90191210090	BOLT	2		M10X90		
21	36400095150	BOLT,STUD	3		M10X1.25/1.5X43		
22	90302041001	WASHER,SPRING	6		10		
23	90267201000	NUT	3		M10		
24	36401125120	PACKING (CASE)	1				
25	31790770100	SUPPORT	1				
50	36401440000	POWER TAKE OFF	1				
100	31791000000	POWER TAKE OFF	1				

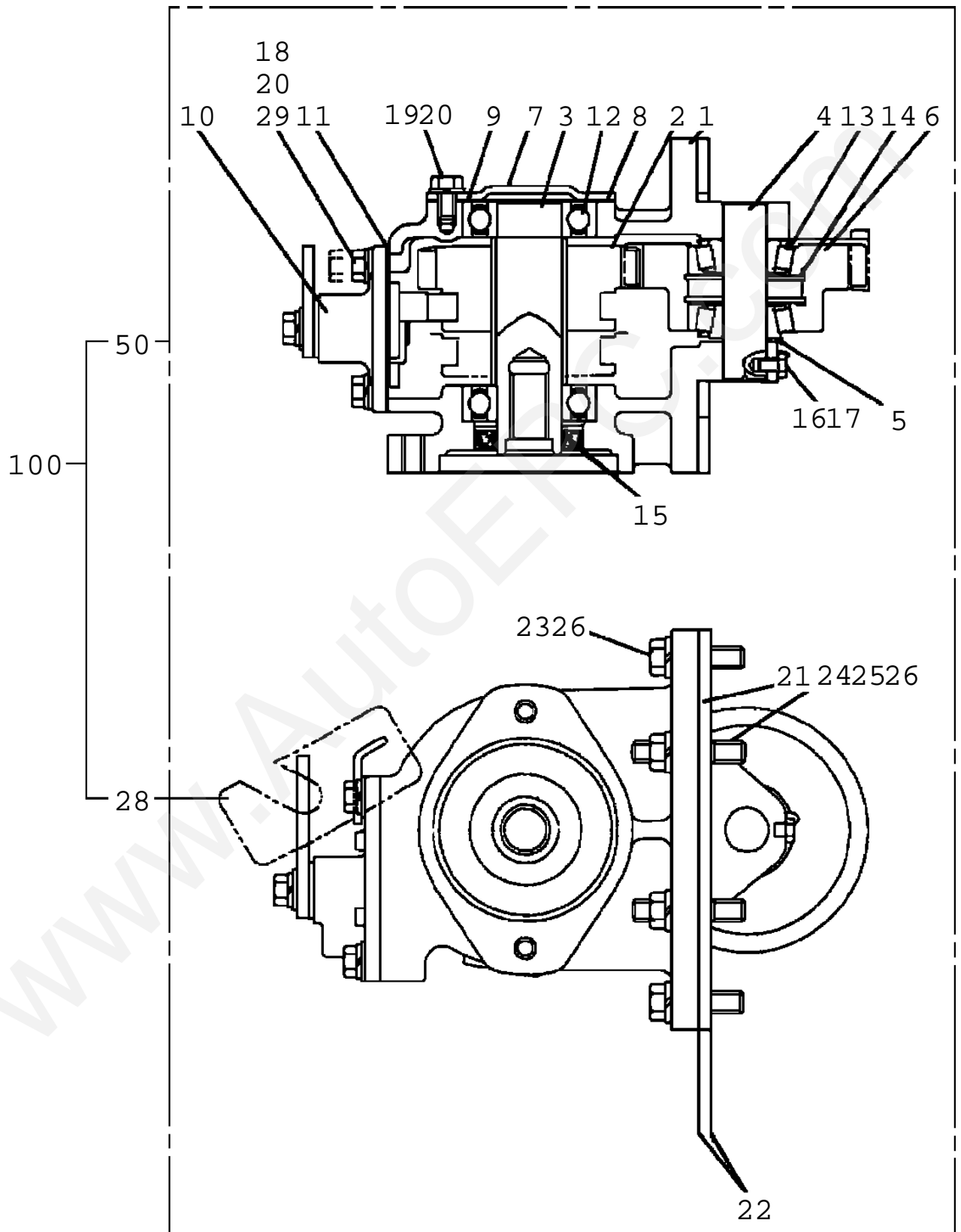
TM-ZR360 41102310070A FRAME/SL, MANUAL, HOOK-IN  
PB1030147-02 POWER TAKE OFF



**TM-ZR360 41102310070A FRAME/SL, MANUAL, HOOK-IN**

Pos No.	Parts No	Parts Name	Qty	Unit	Technical Data	Serial No (Start)	Ser
1	36400895010	CASE	1				
2	36401115010	GEAR	1				
3	36400895030	SHAFT	1				
4	36401115020	GEAR	1				
5	36400415050	SHAFT	1				
6	36400415060	COLLAR	1				
7	36400215070	COLLAR	2				
8	36400225110	SHIFTER SET	1				
9	36400095110	PACKING	1				
10	36400095070	COVER (BEARING)	1				
11	36400095080	PACKING (COVER)	1				
12	36400095090	SHIM	N				
13	80500006206	BEARING, BALL	2				
14	36400415090	BEARING, NEEDLE	2				
15	91206030005	SEAL, OIL	1				
16	91001102100	O-RING	1		1A P21		
17	90710006120	SCREW, SET	1		M6X12		
18	90191208014	BOLT	3		M8X14		
19	90191208020	BOLT	4		M8X20		
20	90302040801	WASHER, SPRING	7		8		
23	36400415100	PACKING (CASE)	1				
24	90191210030	BOLT	6		M10X30		
25	36400095150	BOLT, STUD	2		M10X1.25/1.5X43		
26	90267201000	NUT	2		M10		
27	90302041001	WASHER, SPRING	8		10		
28	31790720100	SUPPORT	1				
29	90191208025	BOLT	2		M8X25		
49	36400225160	SEAL, OIL	1				
50	36401500000	POWER TAKE OFF	1				
100	31791020000	POWER TAKE OFF	1				

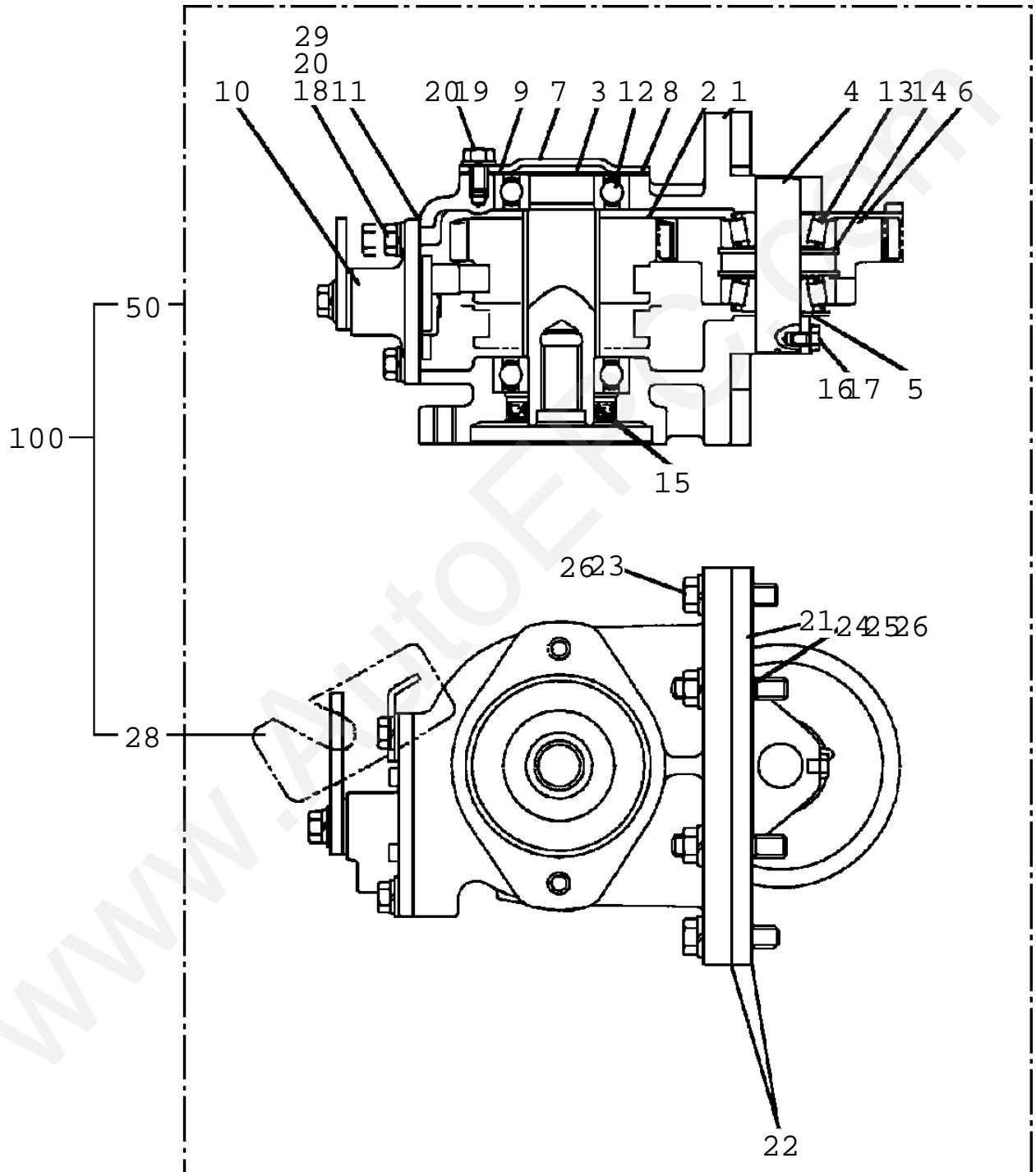
TM-ZR360 41102310070A FRAME/SL, MANUAL, HOOK-IN  
PB1030157-01 POWER TAKE OFF



**TM-ZR360 41102310070A FRAME/SL,MANUAL,HOOK-IN**

Pos No.	Parts No	Parts Name	Qty	Unit	Technical Data	Serial No (Start)	Seri
1	36401545010	CASE	1				
2	36401545020	GEAR (TO)	1				
3	36401545030	SHAFT (TO)	1				
4	36400095040	SHAFT	1				
5	36400095050	COLLAR	1				
6	36401545080	GEAR	1				
7	36400095070	COVER (BEARING)	1				
8	36400095080	PACKING (COVER)	1				
9	36400095090	SHIM	N				
10	36400095100	SHIFTER ASSY	1				
11	36400095110	PACKING	1				
12	80500006206	BEARING,BALL	2				
13	36400095120	BEARING	2				
14	80602110520	RING,RITAINING	2		R52		
15	91206030005	SEAL,OIL	1				
16	90101206012	BOLT	1		M6X12		
17	36400095130	WASHER	1				
18	90191208020	BOLT	4		M8X20		
19	90191208014	BOLT	3		M8X14		
20	90302040801	WASHER,SPRING	7		8		
21	36401545040	SPACER	1				
22	36401545050	PACKING	2				
23	90191210035	BOLT	4		M10X35		
24	36401545060	BOLT	4				
25	90267201000	NUT	4		M10		
26	90302041001	WASHER,SPRING	8		10		
28	31790680100	SUPPORT	1				
29	90191208025	BOLT	2		M8X25		
50	36401540000	POWER TAKE OFF	1				
100	31792040000	POWER TAKE OFF	1				

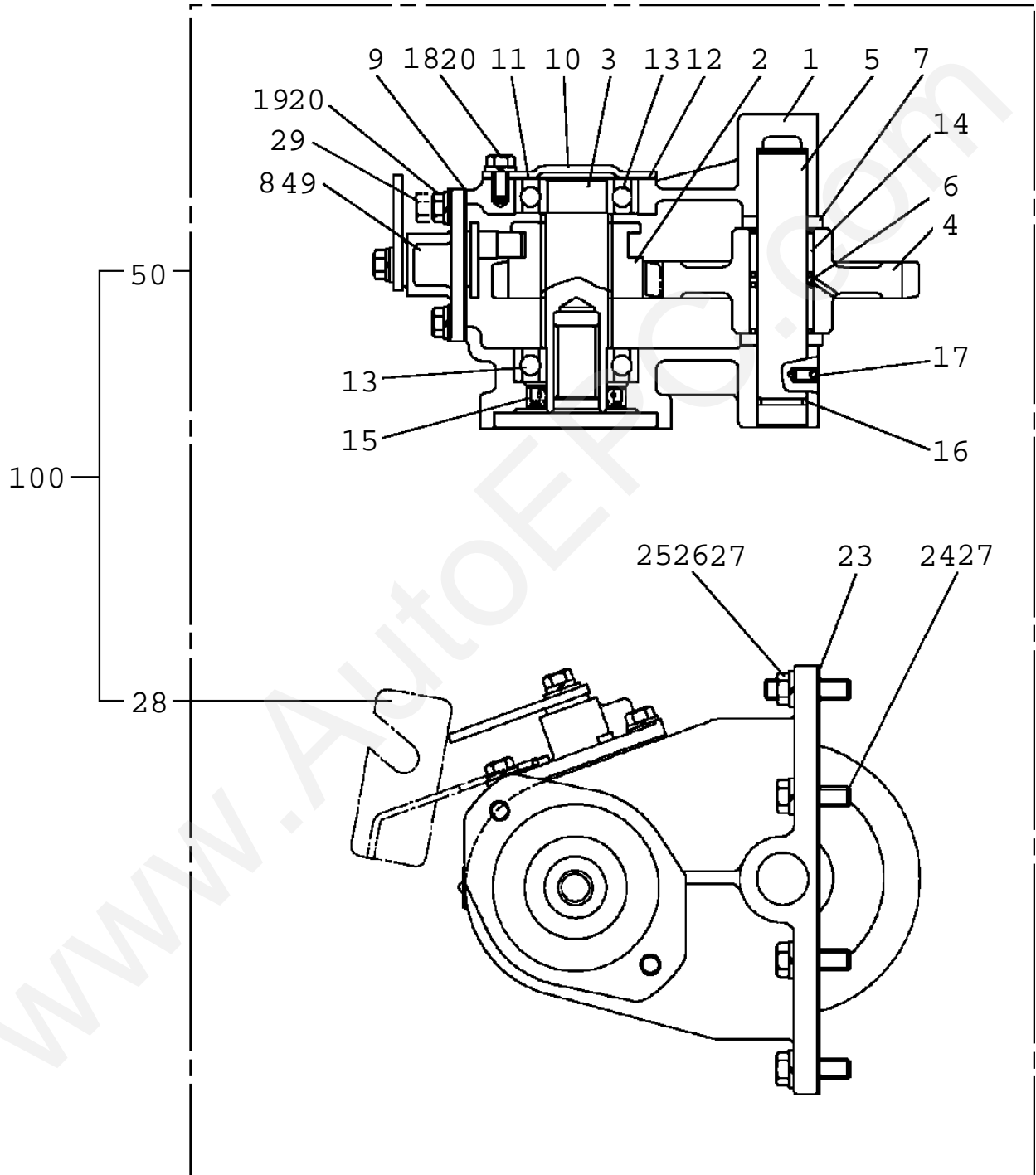
TM-ZR360 41102310070A FRAME/SL, MANUAL, HOOK-IN  
PB1030159-01 POWER TAKE OFF



**TM-ZR360 41102310070A FRAME/SL, MANUAL, HOOK-IN**

Pos No.	Parts No	Parts Name	Qty	Unit	Technical Data	Serial No (Start)	Seri
1	36401545010	CASE	1				
2	36401545020	GEAR (TO)	1				
3	36401545030	SHAFT (TO)	1				
4	36400095040	SHAFT	1				
5	36400095050	COLLAR	1				
6	36401545080	GEAR	1				
7	36400095070	COVER (BEARING)	1				
8	36400095080	PACKING (COVER)	1				
9	36400095090	SHIM	N				
10	36400095100	SHIFTER ASSY	1				
11	36400095110	PACKING	1				
12	80500006206	BEARING,BALL	2				
13	36400095120	BEARING	2				
14	80602110520	RING,RITAINING	2		R52		
15	91206030005	SEAL,OIL	1				
16	90101206012	BOLT	1		M6X12		
17	36400095130	WASHER	1				
18	90191208020	BOLT	4		M8X20		
19	90191208014	BOLT	3		M8X14		
20	90302040801	WASHER,SPRING	7		8		
21	36401545040	SPACER	1				
22	36401545050	PACKING	2				
23	90191210035	BOLT	4		M10X35		
24	36401545060	BOLT	4				
25	90267201000	NUT	4		M10		
26	90302041001	WASHER,SPRING	8		10		
28	31790880100	SUPPORT	1				
29	90191208025	BOLT	2		M8X25		
50	36401560000	POWER TAKE OFF	1				
100	31792050000	POWER TAKE OFF	1				

TM-ZR360 41102310070A FRAME/SL, MANUAL, HOOK-IN  
PB1030175-01 POWER TAKE OFF

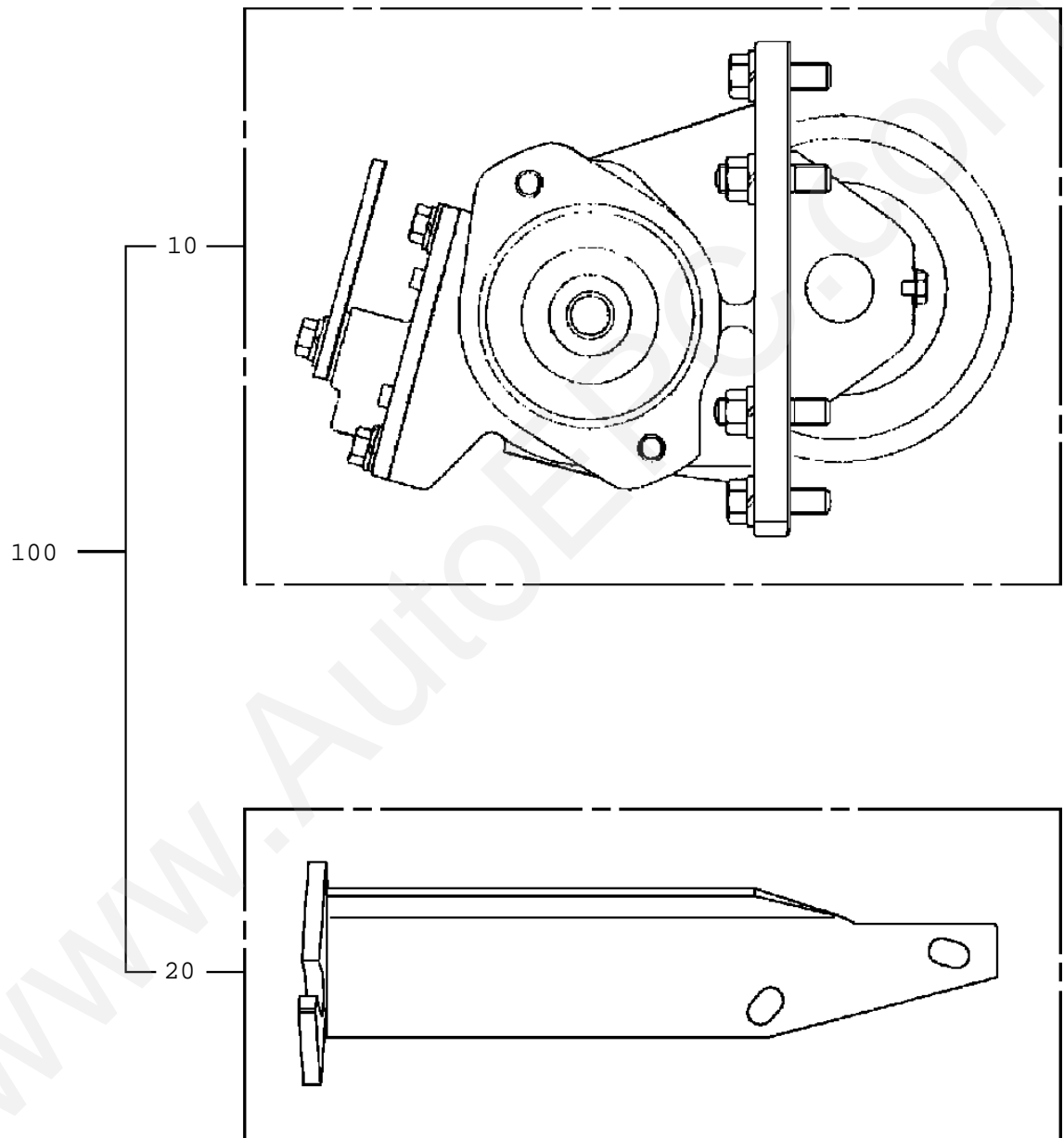




**TM-ZR360 41102310070A FRAME/SL, MANUAL, HOOK-IN**

Pos No.	Parts No	Parts Name	Qty	Unit	Technical Data	Serial No (Start)	Ser
1	36400895010	CASE	1				
2	36401115010	GEAR	1				
3	36400895030	SHAFT	1				
4	36401115020	GEAR	1				
5	36400415050	SHAFT	1				
6	36400415060	COLLAR	1				
7	36400215070	COLLAR	2				
8	36400225110	SHIFTER SET	1				
9	36400095110	PACKING	1				
10	36400095070	COVER (BEARING)	1				
11	36400095080	PACKING (COVER)	1				
12	36400095090	SHIM	N				
13	80500006206	BEARING, BALL	2				
14	36400415090	BEARING, NEEDLE	2				
15	91206030005	SEAL, OIL	1				
16	91001102100	O-RING	1		1A P21		
17	90710006120	SCREW, SET	1		M6X12		
18	90191208014	BOLT	3		M8X14		
19	90191208020	BOLT	4		M8X20		
20	90302040801	WASHER, SPRING	7		8		
23	36400415100	PACKING (CASE)	1				
24	90191210030	BOLT	6		M10X30		
25	36400095150	BOLT, STUD	2		M10X1.25/1.5X43		
26	90267201000	NUT	2		M10		
27	90302041001	WASHER, SPRING	8		10		
28	31790870100	SUPPORT	1				
29	90191208025	BOLT	2		M8X25		
49	36400225160	SEAL, OIL	1				
50	36401500001	POWER TAKE OFF	1				
100	31791270000	POWER TAKE OFF	1				

TM-ZR360 41102310070A FRAME/SL, MANUAL, HOOK-IN  
PB1030186-02 POWER TAKE OFF

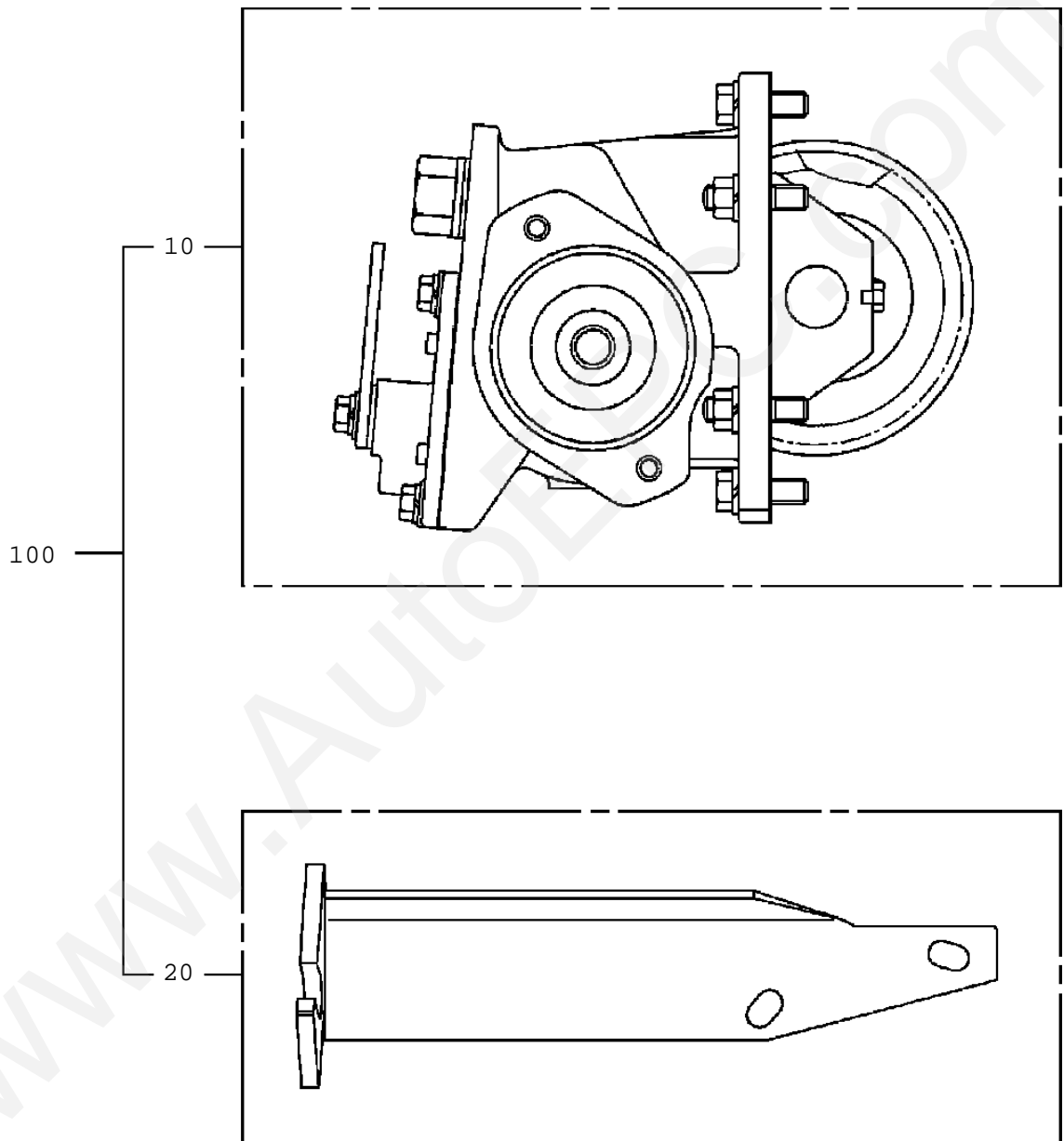


**TM-ZR360 41102310070A FRAME/SL,MANUAL,HOOK-IN**

Pos No.	Parts No	Parts Name	Qty	Unit	Technical Data	Serial No (Start)	Serial No (End)
10	36401840001	POWER TAKE OFF	1				
20	31791060100	SUPPORT	1				
100	31791060000	POWER TAKE OFF	1				

www.AutoEPC.com

TM-ZR360 41102310070A FRAME/SL, MANUAL, HOOK-IN  
PB1030189-02 POWER TAKE OFF

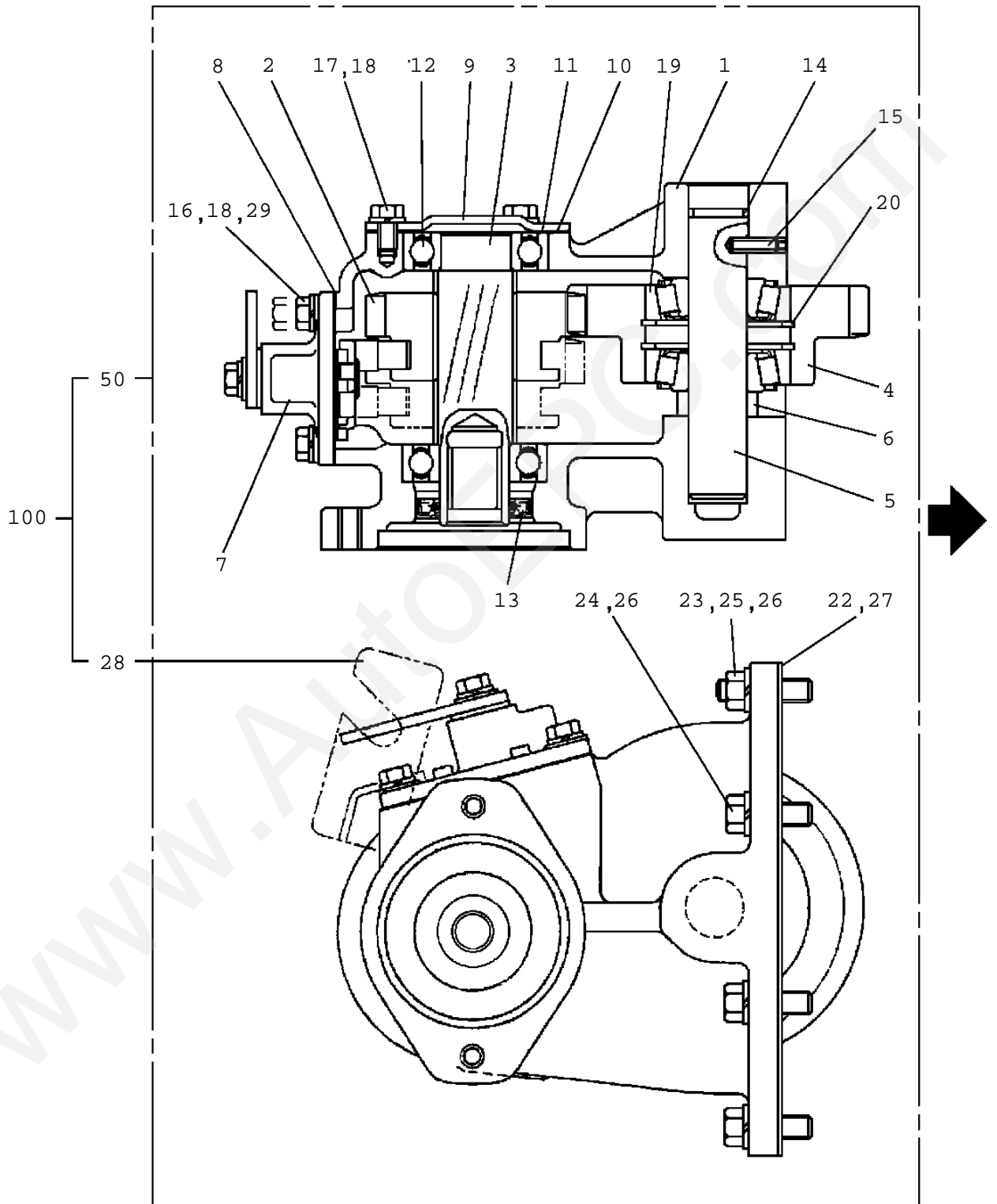


**TM-ZR360 41102310070A FRAME/SL,MANUAL,HOOK-IN**

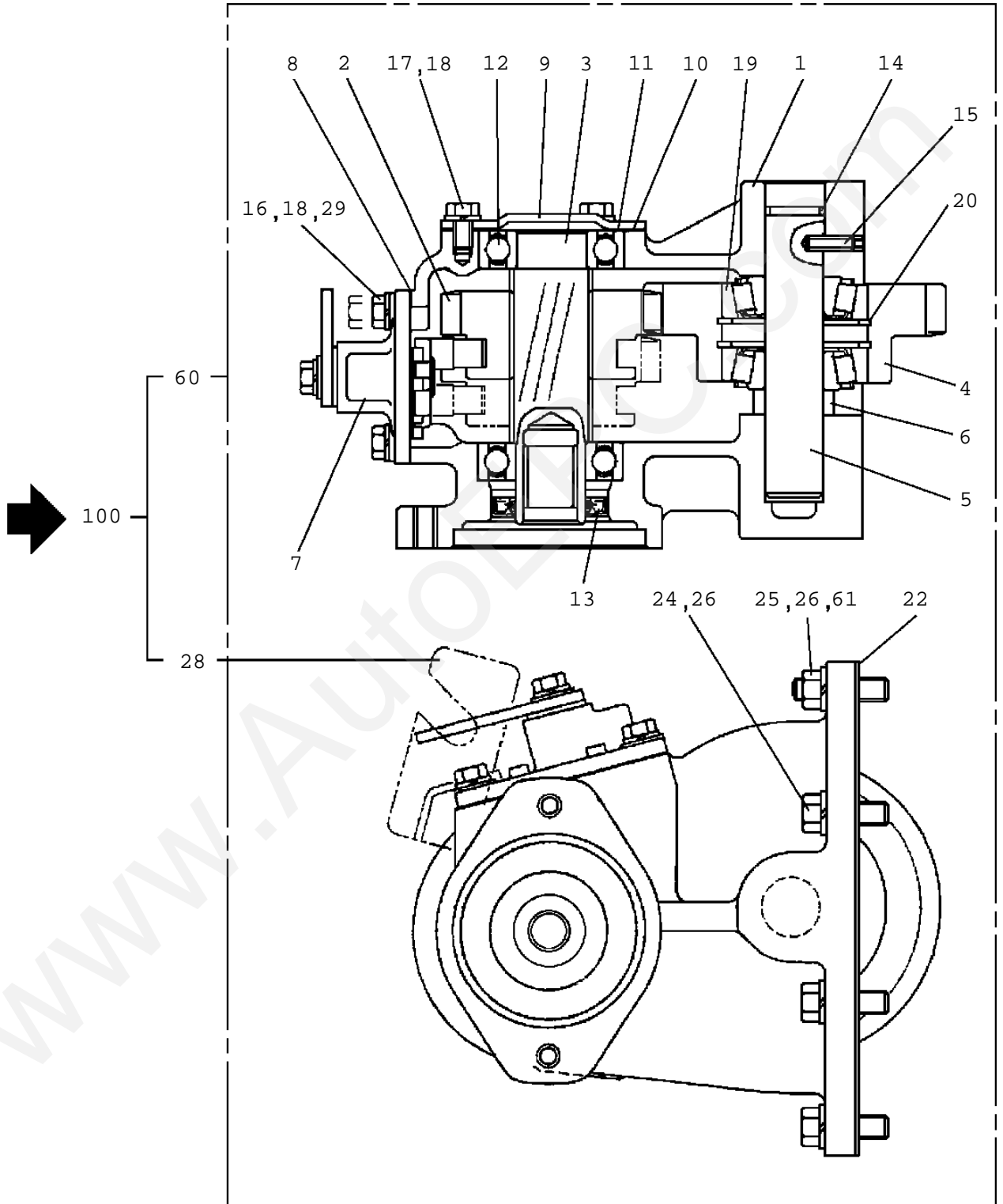
Pos No.	Parts No	Parts Name	Qty	Unit	Technical Data	Serial No (Start)	Serial No (End)
10	36401840001	POWER TAKE OFF	1				
20	31791140100	SUPPORT	1				
100	31791140000	POWER TAKE OFF	1				

www.AutoEPC.com

TM-ZR360 41102310070A FRAME/SL, MANUAL, HOOK-IN  
PB1030208-01 POWER TAKE OFF



TM-ZR360 41102310070A FRAME/SL, MANUAL, HOOK-IN  
PB1030208-01 POWER TAKE OFF

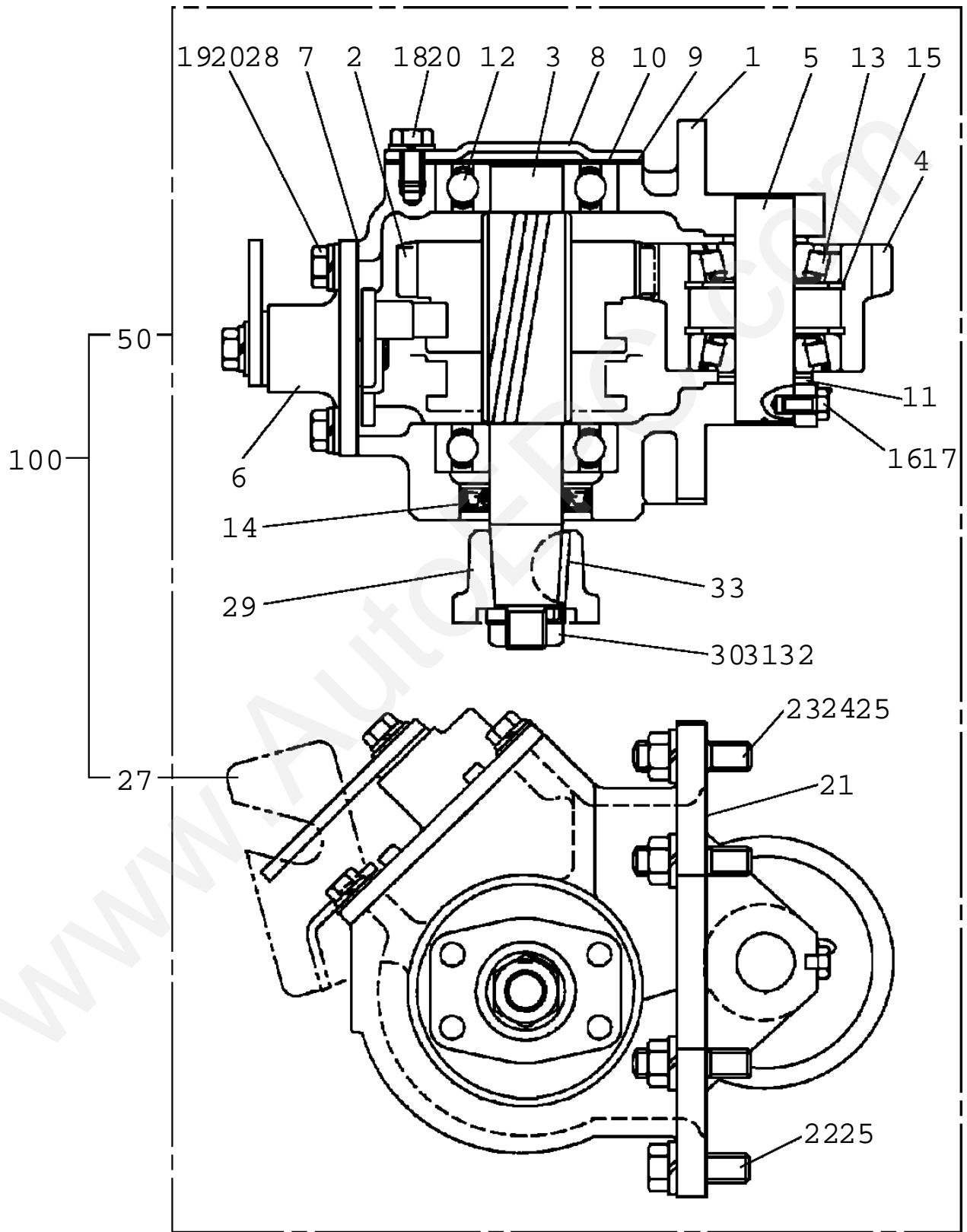


**TM-ZR360 41102310070A FRAME/SL,MANUAL,HOOK-IN**

Pos No.	Parts No	Parts Name	Qty	Unit	Technical Data	Serial No (Start)
1	36401895070	CASE	1			
2	36401885020	GEAR	1			
3	36400915030	SHAFT	1			
4	36401885030	GEAR	1			
5	36400415050	SHAFT	1			
6	36400675030	COLLAR	1			
7	36400095100	SHIFTER ASSY	1			
8	36400095110	PACKING	1			
9	36400095070	COVER (BEARING)	1			
10	36400095080	PACKING (COVER)	1			
11	36400095090	SHIM	N			
12	80500006206	BEARING,BALL	2			
13	91206030005	SEAL,OIL	1			
14	91001102100	O-RING	1		1A P21	
15	90710006200	SCREW,SET	1		M6X20	
16	90191208020	BOLT	4		M8X20	
17	90191208014	BOLT	3		M8X14	
18	90302040801	WASHER,SPRING	7		8	
19	36400135070	BEARING	2			
20	80602110620	RING,RITAINING	2		R62	
22	36401885050	PACKING	1			
24	90191210030	BOLT	6		M10X30	
25	90267201000	NUT	2		M10	
26	90302041001	WASHER,SPRING	8		10	
28	31790670100	SUPPORT	1			
29	90191208025	BOLT	2		M8X25	
60	36402100000	POWER TAKE OFF ASSY	1			
61	36401695040	BOLT,STUD	2		M10X1.25/1.5X47	
100	31791240000	POWER TAKE OFF	1			



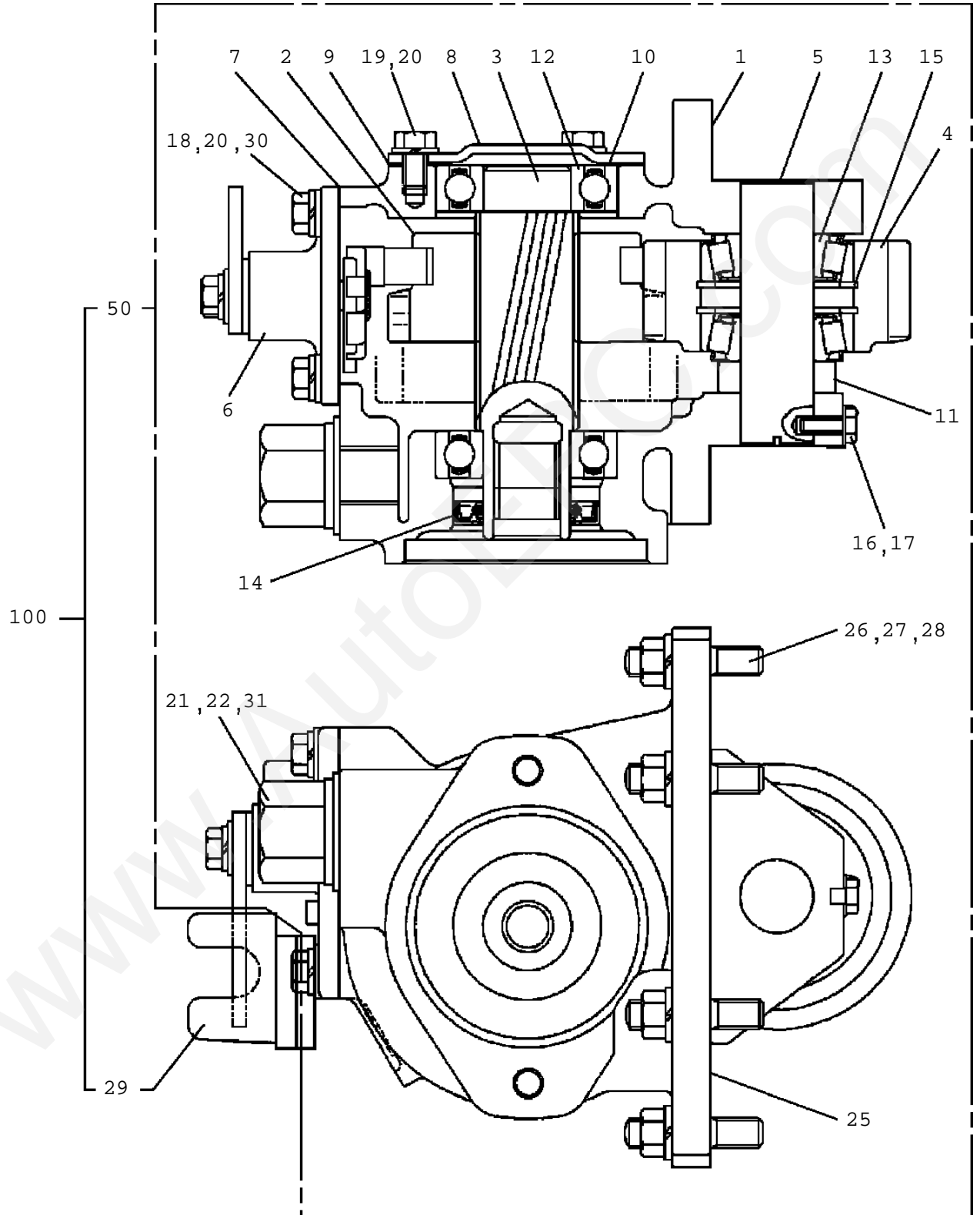
TM-ZR360 41102310070A FRAME/SL, MANUAL, HOOK-IN  
PB1030213-00 POWER TAKE OFF



**TM-ZR360 41102310070A FRAME/SL,MANUAL,HOOK-IN**

Pos No.	Parts No	Parts Name	Qty	Unit	Technical Data	Serial No (Start)	Seri
1	36401405010	CASE	1				
2	36400455020	GEAR	1				
3	36401405020	SHAFT	1				
4	36400455040	GEAR	1				
5	36400095040	SHAFT	1				
6	36400095100	SHIFTER ASSY	1				
7	36400095110	PACKING	1				
8	36400095070	COVER (BEARING)	1				
9	36400095080	PACKING (COVER)	1				
10	36400095090	SHIM	N				
11	36400095050	COLLAR	1				
12	80500006305	BEARING,BALL	2				
13	36400095120	BEARING	2				
14	91216025003	SEAL,OIL	1				
15	80602110520	RING,RITAINING	2		R52		
16	90101206012	BOLT	1		M6X12		
17	36400095130	WASHER	1				
18	90191208014	BOLT	3		M8X14		
19	90191208020	BOLT	4		M8X20		
20	90302040801	WASHER,SPRING	7		8		
21	36400055070	PACKING	1				
22	90193210025	BOLT	3		M10X25		
23	36400195030	BOLT,STUD	3				
24	90267201000	NUT	3		M10		
25	90302041001	WASHER,SPRING	6		10		
27	31790710100	SUPPORT	1				
28	90191208025	BOLT	2		M8X25		
29	36401405100	COUPLING	1				
30	31790545020	NUT	1				
31	31790545030	WASHER	1				
32	31790545040	WASHER	1				
33	36401975030	KEY	1		7X25		
50	36401400000	POWER TAKE OFF	1				
100	31792010000	POWER TAKE OFF	1				

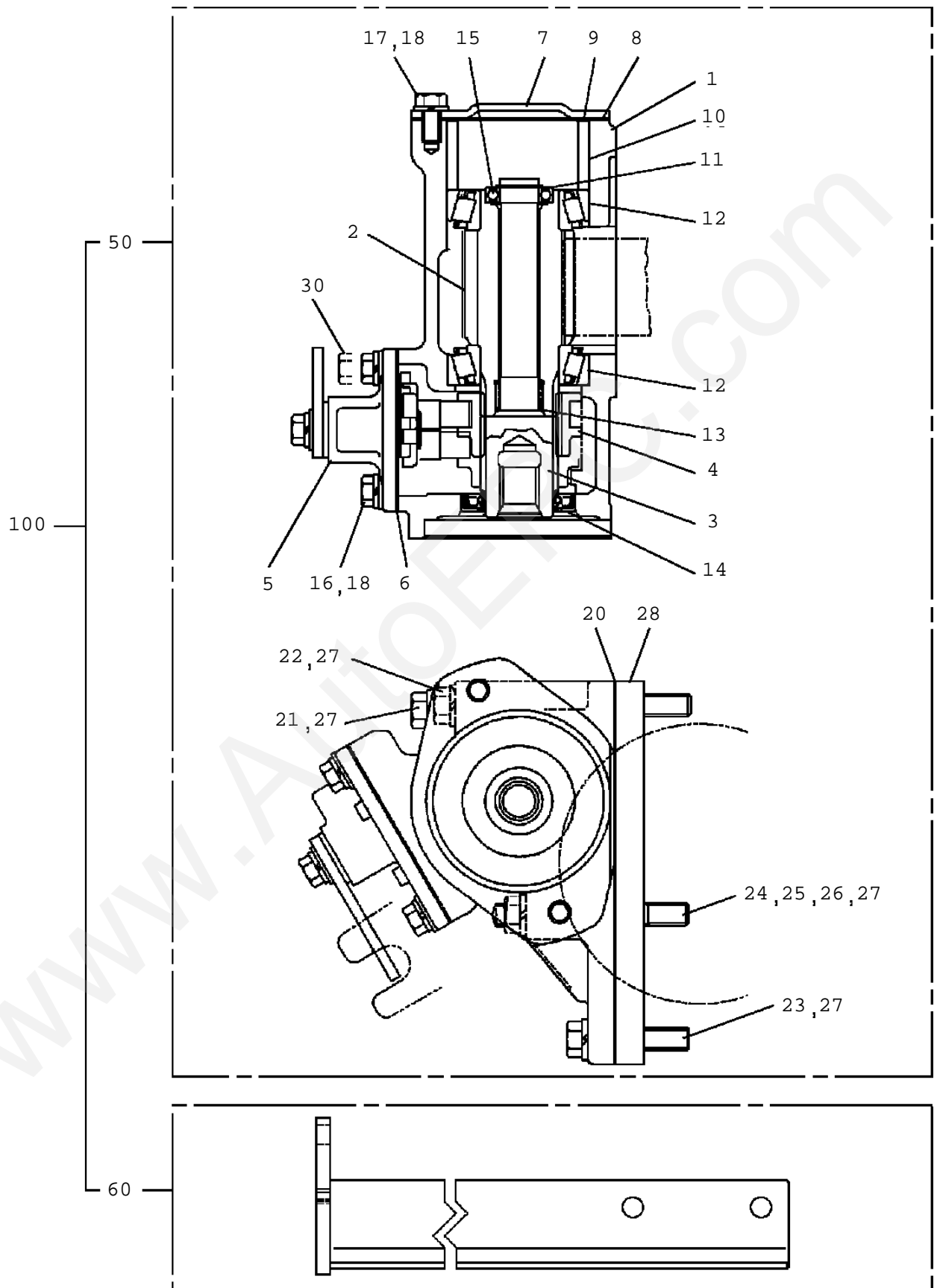
TM-ZR360 41102310070A FRAME/SL, MANUAL, HOOK-IN  
PB1030233-00 POWER TAKE OFF



**TM-ZR360 41102310070A FRAME/SL,MANUAL,HOOK-IN**

Pos No.	Parts No	Parts Name	Qty	Unit	Technical Data	Serial No (Start)
1	36400845060	CASE	1			
2	36402465010	GEAR	1			
3	36400845030	SHAFT	1			
4	36402465020	GEAR	1			
5	36400395050	SHAFT	1			
6	36400095100	SHIFTER ASSY	1			
7	36400095110	PACKING	1			
8	36400095070	COVER (BEARING)	1			
9	36400095080	PACKING (COVER)	1			
10	36400095090	SHIM	N			
11	36400675030	COLLAR	1			
12	80500006206	BEARING,BALL	2			
13	36400675050	BEARING	2			
14	91206030005	SEAL,OIL	1			
15	80602110520	RING,RITAINING	2		R52	
16	36400095150	BOLT,STUD	1		M10X1.25/1.5X43	
17	90101206015	BOLT	1		M6X15	
18	90191208020	BOLT	4		M8X20	
19	90191208014	BOLT	3		M8X14	
20	90302040801	WASHER,SPRING	7		8	
21	36401025060	PLUG	1			
22	36401025070	WASHER,PLAIN	1			
25	36401025100	PACKING	1			
26	36401695040	BOLT,STUD	6		M10X1.25/1.5X47	
27	90267201000	NUT	6		M10	
28	90302041001	WASHER,SPRING	6		10	
29	31790770100	SUPPORT	1			
30	90191208025	BOLT	2		M8X25	
31	36401025120	NUT (REINFORCER)	1			
50	36402460000	POWER TAKE OFF ASSY	1			
100	31792360000	POWER TAKE OFF	1			

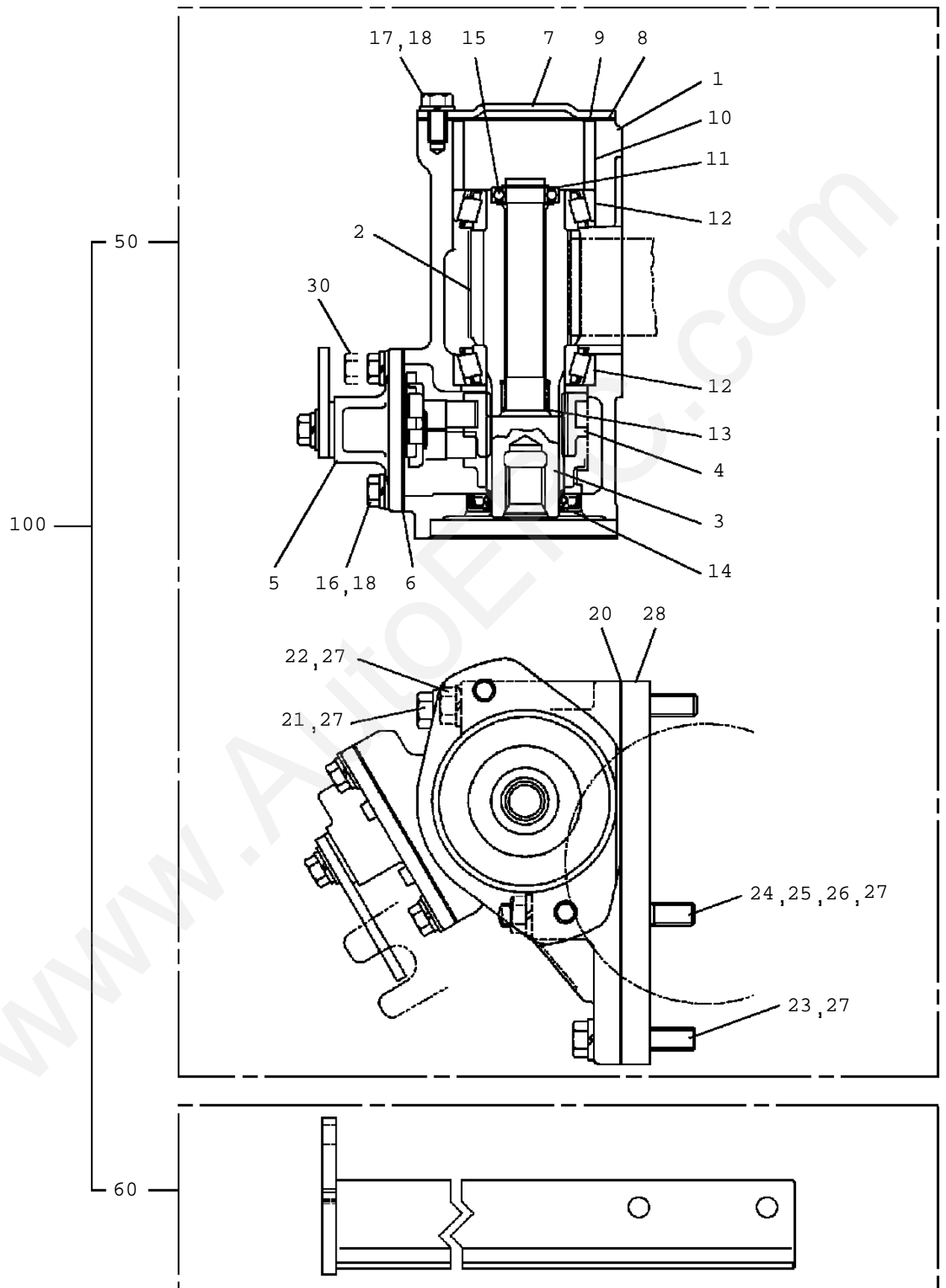
TM-ZR360 41102310070A FRAME/SL, MANUAL, HOOK-IN  
PB1030234-00 POWER TAKE OFF



**TM-ZR360 41102310070A FRAME/SL, MANUAL, HOOK-IN**

Pos No.	Parts No	Parts Name	Qty	Unit	Technical Data	Serial No (Start)
1	36402470510	CASE	1			
2	36402470520	GEAR	1			
3	36402470530	SHAFT	1			
4	36401125040	SLEEVE	1			
5	36401125050	SHIFTER SET	1			
6	36400095110	PACKING	1			
7	36400095070	COVER (BEARING)	1			
8	36400095080	PACKING (COVER)	1			
9	36400095090	SHIM	N			
10	36402470540	COLLAR	1			
11	80500006903	BEARING, BALL	1			
12	36401125080	BEARING, ROLLER	2			
13	36401125090	BEARING, NEEDLE	1			
14	91206030005	SEAL, OIL	1			
15	36401125100	RING, RETAINING	1			
16	90191208020	BOLT	4		M8X20	
17	90191208014	BOLT	3		M8X14	
18	90302040801	WASHER, SPRING	7		8	
20	36402015020	PACKING	2			
21	36402035040	BOLT	1		M10X1.5X120	
22	36402035050	BOLT	1		M10X1.5X110	
23	90191210050	BOLT	2		M10X50	
24	36402035010	BOLT, STUD	1			
25	36402035020	BOLT, STUD	1			
26	90267201000	NUT	2		M10	
27	90302041001	WASHER, SPRING	6		10	
28	36402470550	SPACER	1			
30	90191208025	BOLT	2		M8X25	
50	36402470000	POWER TAKE OFF ASSY	1			
60	31790990100	SUPPORT	1			
100	31792370000	POWER TAKE OFF	1			

TM-ZR360 41102310070A FRAME/SL, MANUAL, HOOK-IN  
PB1030235-00 POWER TAKE OFF

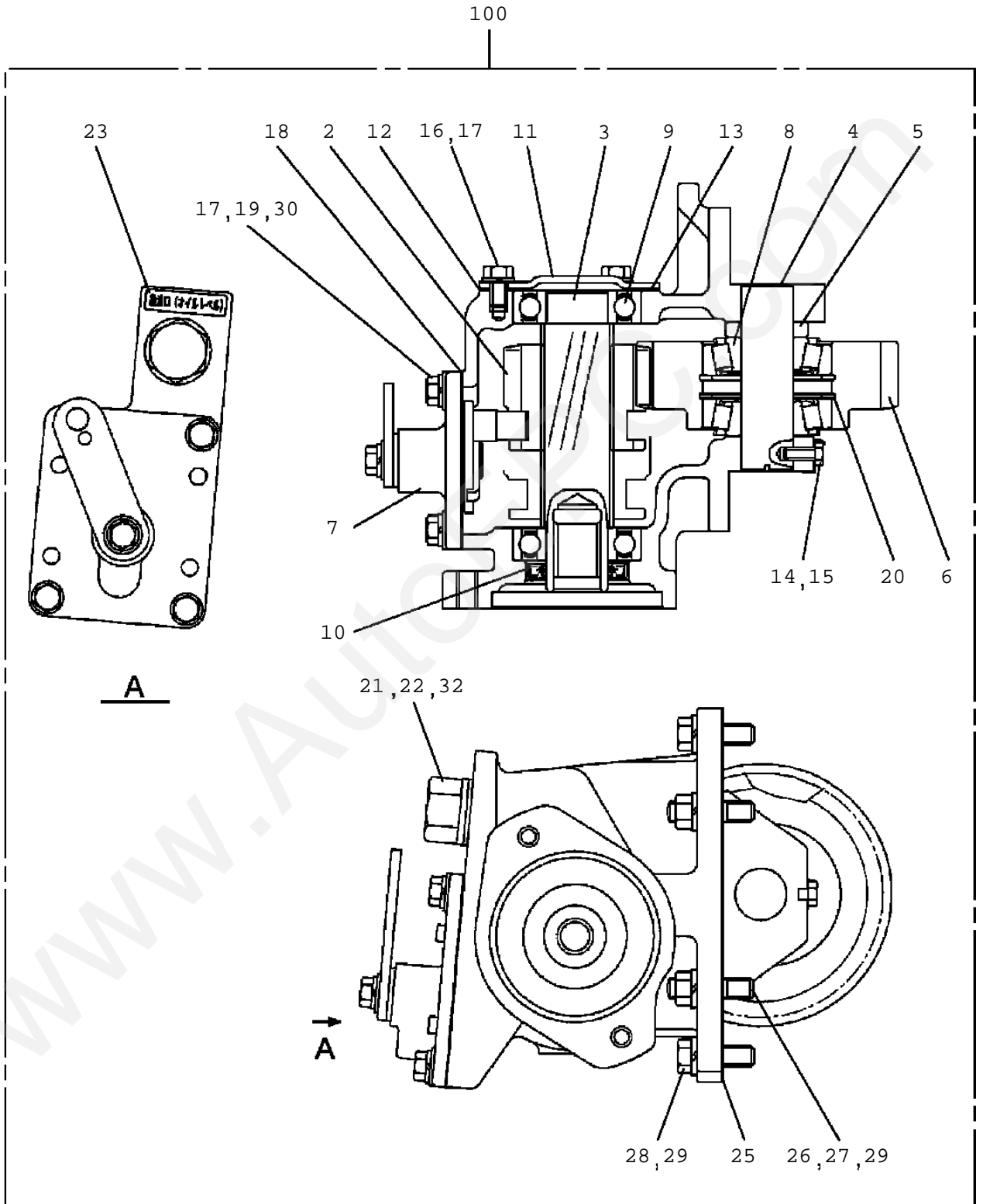


**TM-ZR360 41102310070A FRAME/SL,MANUAL,HOOK-IN**

Pos No.	Parts No	Parts Name	Qty	Unit	Technical Data	Serial No (Start)
1	36402470510	CASE	1			
2	36402470520	GEAR	1			
3	36402480510	SHAFT	1			
4	36401125040	SLEEVE	1			
5	36401125050	SHIFTER SET	1			
6	36400095110	PACKING	1			
7	36400095070	COVER (BEARING)	1			
8	36400095080	PACKING (COVER)	1			
9	36400095090	SHIM	N			
10	36402470540	COLLAR	1			
11	80500006903	BEARING,BALL	1			
12	36401125080	BEARING,ROLLER	2			
13	36401125090	BEARING,NEEDLE	1			
14	91206030005	SEAL,OIL	1			
15	36401125100	RING,RETAINING	1			
16	90191208020	BOLT	4		M8X20	
17	90191208014	BOLT	3		M8X14	
18	90302040801	WASHER,SPRING	7		8	
20	36402015020	PACKING	2			
21	36402035040	BOLT	1		M10X1.5X120	
22	36402035050	BOLT	1		M10X1.5X110	
23	90191210050	BOLT	2		M10X50	
24	36402035010	BOLT,STUD	1			
25	36402035020	BOLT,STUD	1			
26	90267201000	NUT	2		M10	
27	90302041001	WASHER,SPRING	6		10	
28	36402470550	SPACER	1			
30	90191208025	BOLT	2		M8X25	
50	36402480000	POWER TAKE OFF ASSY	1			
60	31790990100	SUPPORT	1			
100	31792380000	POWER TAKE OFF	1			



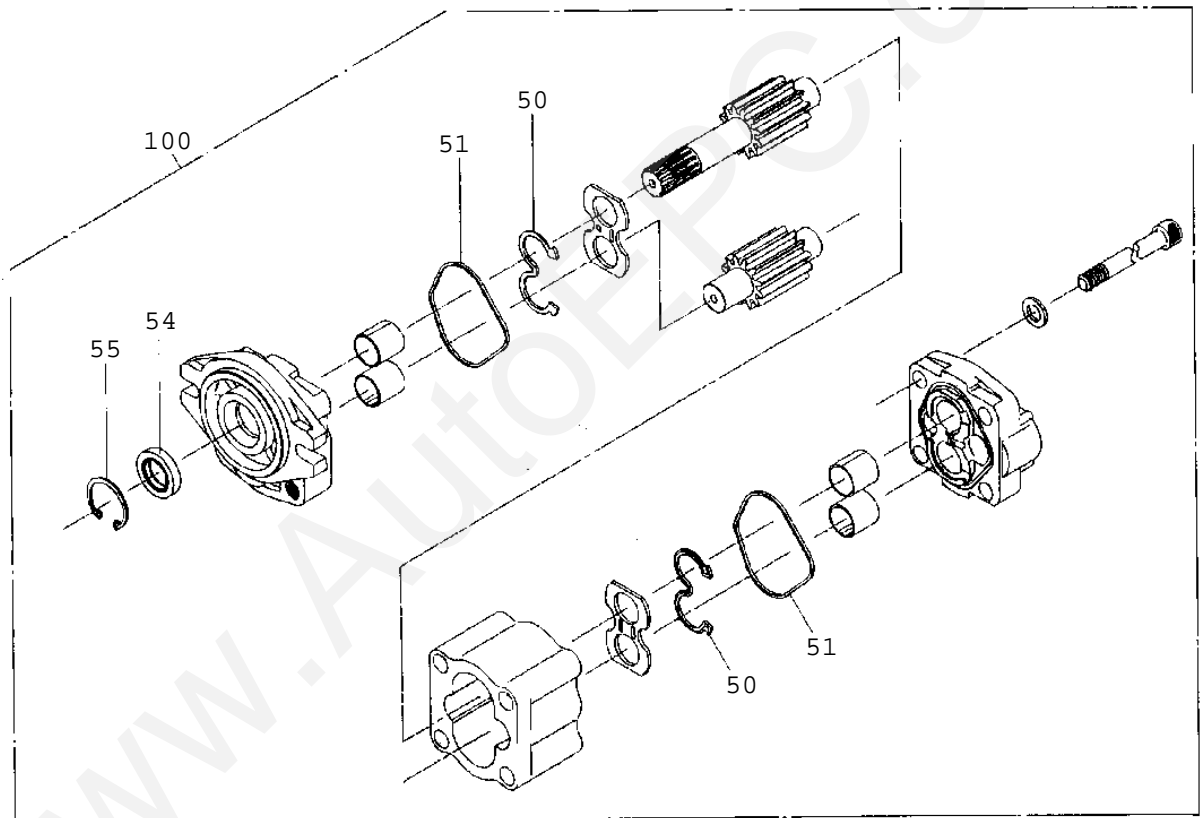
TM-ZR360 41102310070A FRAME/SL, MANUAL, HOOK-IN  
PB1030236-00 POWER TAKE OFF



**TM-ZR360 41102310070A FRAME/SL, MANUAL, HOOK-IN**

Pos No.	Parts No	Parts Name	Qty	Unit	Technical Data	Serial No (Start)	Se
2	36401675020	GEAR	1				
3	36401675030	SHAFT	1				
4	36400395050	SHAFT	1				
5	36401675040	COLLAR	1				
6	36401675050	GEAR	1				
7	36401675060	SHIFTER SET	1				
8	36400135070	BEARING	2				
9	80500006206	BEARING,BALL	2				
10	91206030005	SEAL,OIL	1				
11	36400095070	COVER (BEARING)	1				
12	36400095080	PACKING (COVER)	1				
13	36400095090	SHIM	N				
14	90101206015	BOLT	1		M6X15		
15	36400095130	WASHER	1				
16	90191208014	BOLT	3		M8X14		
17	90302040801	WASHER,SPRING	7		8		
18	36400995080	PACKING	1				
19	90191208020	BOLT	4		M8X20		
20	80602110620	RING,RITAINING	2		R62		
21	36401025060	PLUG	1				
22	36401025070	WASHER,PLAIN	1				
23	36401025090	PLATE,NAME	1				
25	36401675080	SHIM	N				
26	36400095150	BOLT,STUD	4		M10X1.25/1.5X43		
27	90267201000	NUT	4		M10		
28	90191210030	BOLT	4		M10X30		
29	90302041001	WASHER,SPRING	8		10		
30	90191208025	BOLT	2		M8X25		
32	36401025120	NUT (REINFORCER)	1				
100	36401840001	POWER TAKE OFF	1				

TM-ZR360 41102310070A FRAME/SL, MANUAL, HOOK-IN  
PB1100099-00 PUMP, HYDRAULIC (LEFT, SPLINE 13)

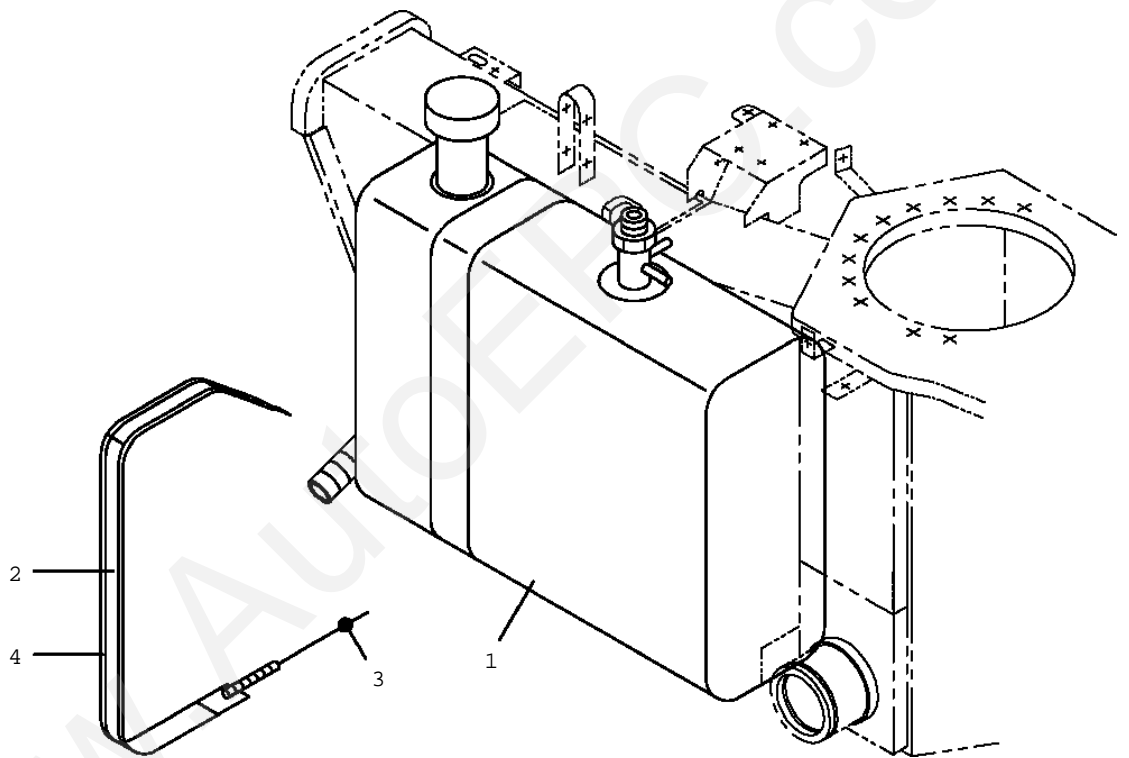


**TM-ZR360 41102310070A FRAME/SL,MANUAL,HOOK-IN**

Pos No.	Parts No	Parts Name	Qty	Unit	Technical Data	Serial
50	36652335010	GASKET	2			
51	36652335020	GASKET	2			
54	53063551010	SEAL,OIL	1			
55	80602110360	RING,RITAINING	1		R36	
100	36652900000	PUMP,HYDRAULIC (LEFT,SPLINE 13)	1			

www.AutoEPC.com

TM-ZR360 41102310070A FRAME/SL, MANUAL, HOOK-IN  
PB1130196-01 TANK, OIL (MOUNT)

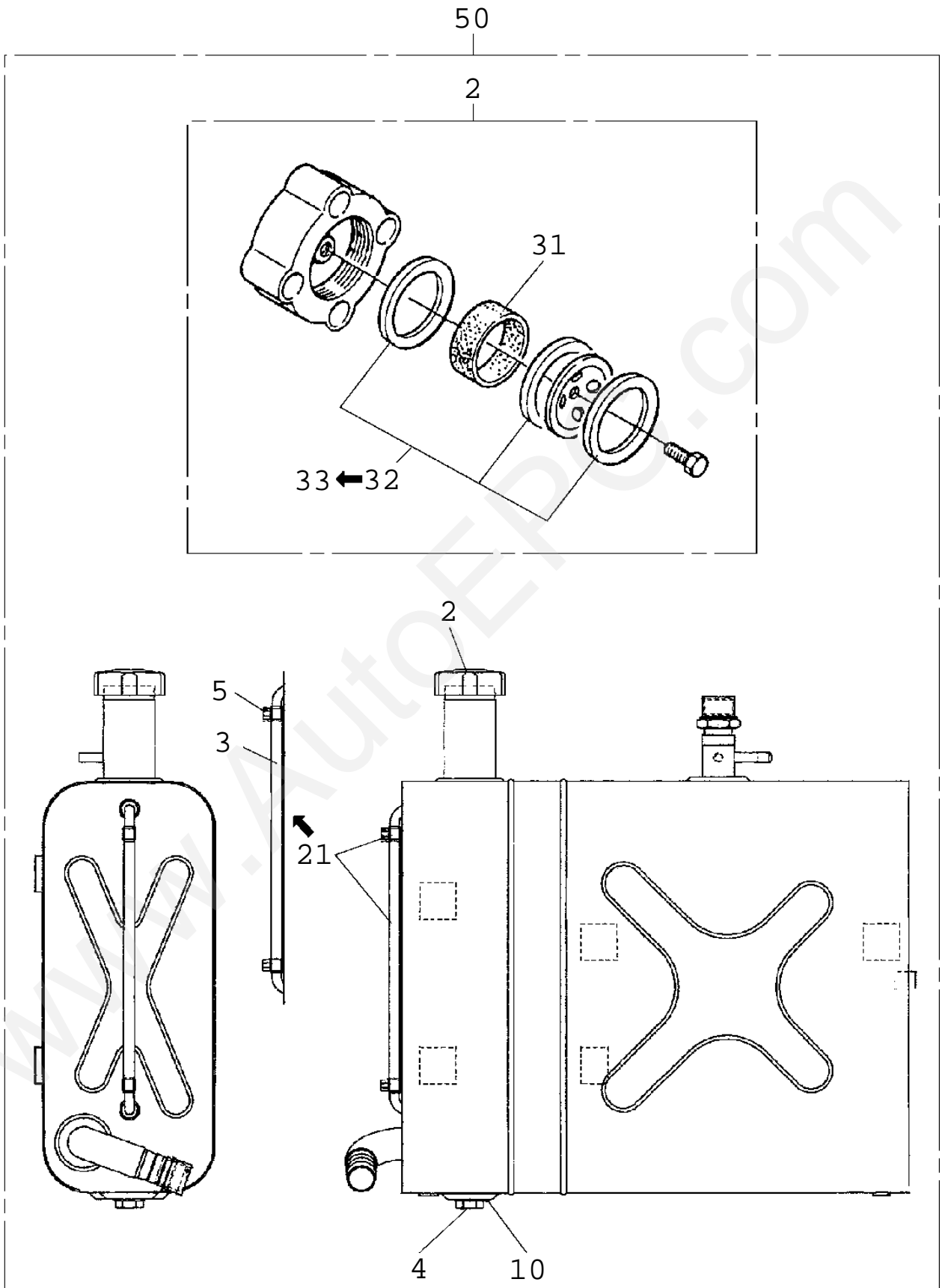


**TM-ZR360 41102310070A FRAME/SL, MANUAL, HOOK-IN**

Pos No.	Parts No	Parts Name	Qty	Unit	Technical Data	Serial No (Start)	Serial No
1	36102490000	TANK,OIL	1				
2	31660530100	BAND	1				
3	90201201000	NUT	2		M10		
4	31660530200	CUSHION	1				

www.AutoEPC.com

TM-ZR360 41102310070A FRAME/SL, MANUAL, HOOK-IN  
PB1130198-01 TANK, OIL



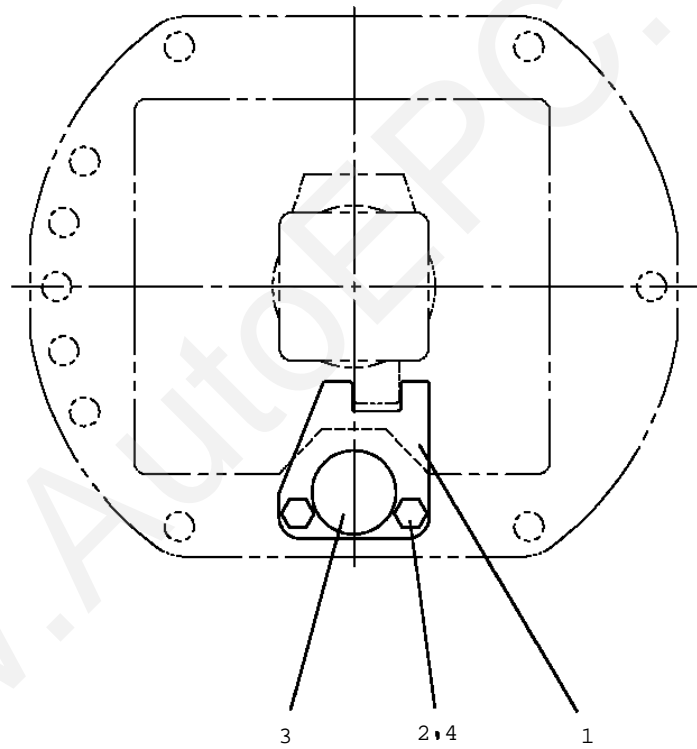
**TM-ZR360 41102310070A FRAME/SL,MANUAL,HOOK-IN**

Pos No.	Parts No	Parts Name	Qty	Unit	Technical Data	Serial No (St
2	36101895020	BREATHER ASSY (OB-10B)	1			
3	36102635010	GAUGE,OIL	1			
4	36102075020	PLUG	1			
5	91803880070	CLIP	2		D=13.1-16.2	
10	36102075030	WASHER,SEAL	1			
31	53156005010	ELEMENT (OB-10T & OB-10B)	1			
33	36101895030	RETAINER ASSY	1			
50	36102490000	TANK,OIL	1			

www.AutoEPC.com



TM-ZR360 41102310070A FRAME/SL, MANUAL, HOOK-IN  
PB1290011-00 STOPPER, ROTARY JOINT

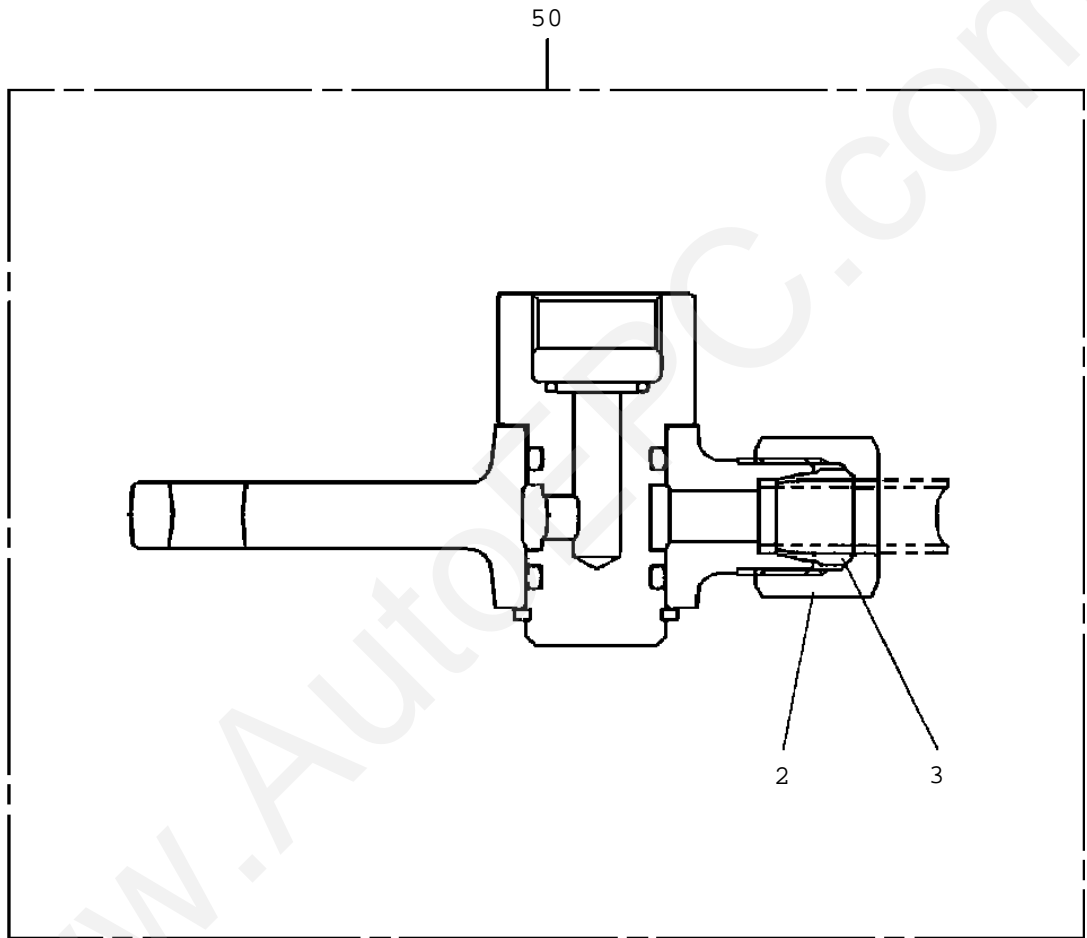


**TM-ZR360 41102310070A FRAME/SL,MANUAL,HOOK-IN**

Pos No.	Parts No	Parts Name	Qty	Unit	Technical Data	Serial No (Start)	Serial
1	31631101001	PLATE	1				
2	90171112022	BOLT	2		M12X22		
3	31630482500	CAP	1				
4	90302041201	WASHER,SPRING	2		12		

www.AutoEPC.com

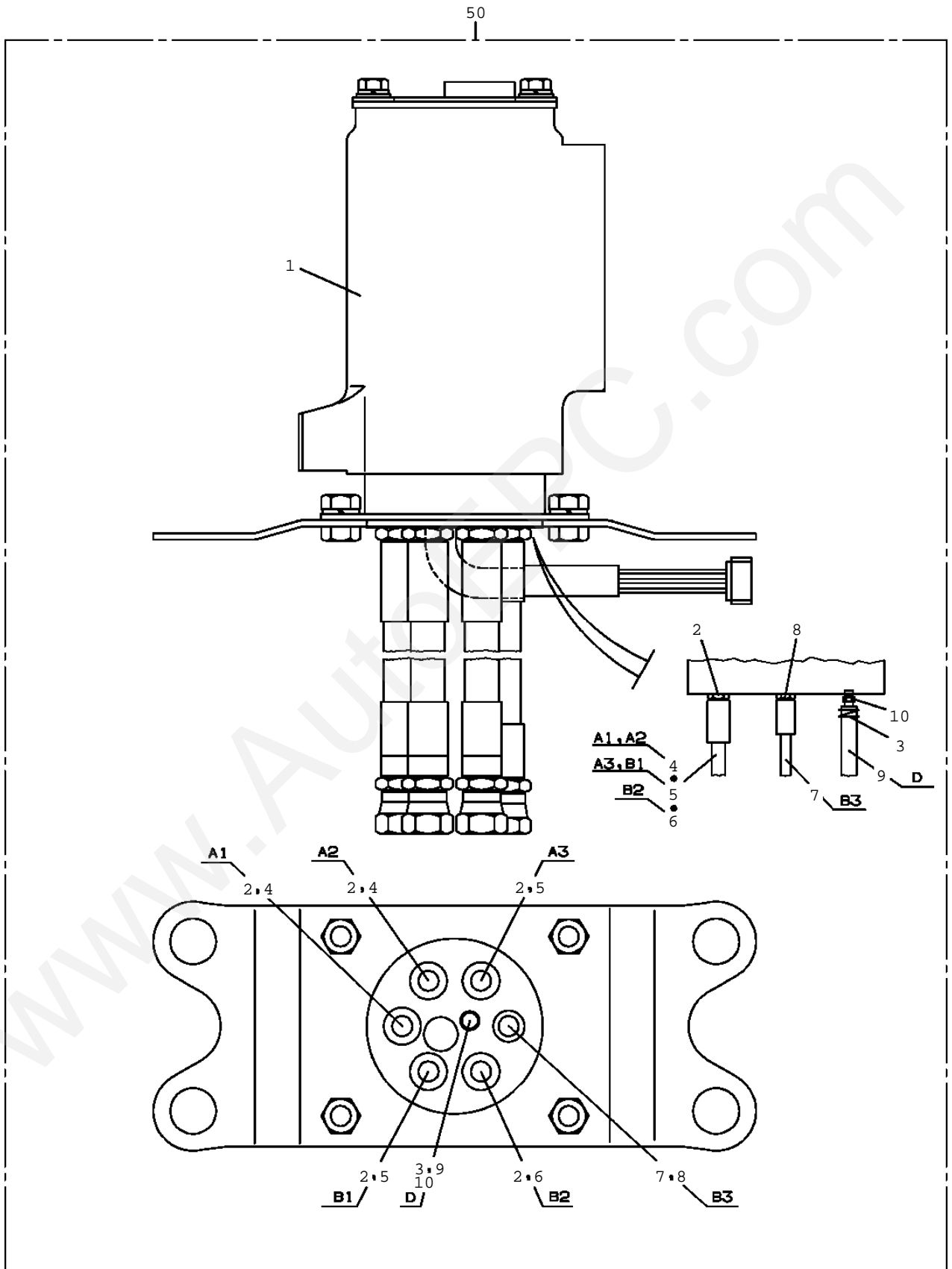
TM-ZR360 41102310070A FRAME/SL, MANUAL, HOOK-IN  
PB1300315-01 JOINT, ROTARY



**TM-ZR360 41102310070A FRAME/SL, MANUAL, HOOK-IN**

Pos No.	Parts No	Parts Name	Qty	Unit	Technical Data	Serial No (Start)	Serial :
2	80306010085	NUT	1				
3	80309010085	SLEEVE	1				
50	31644592100	JOINT, ROTARY	1				

www.AutoEPC.com

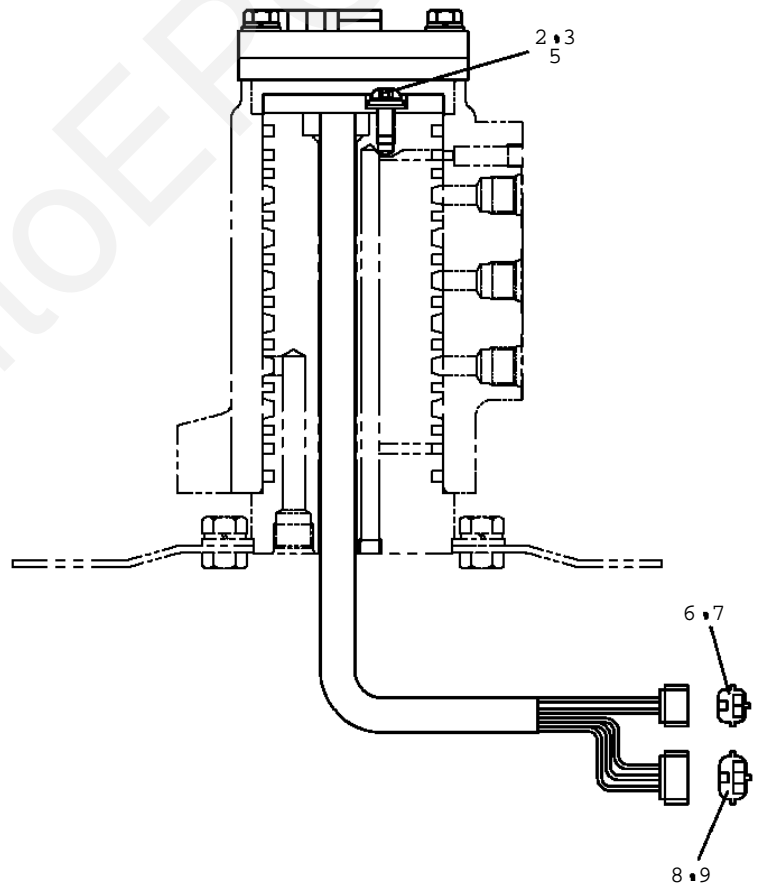
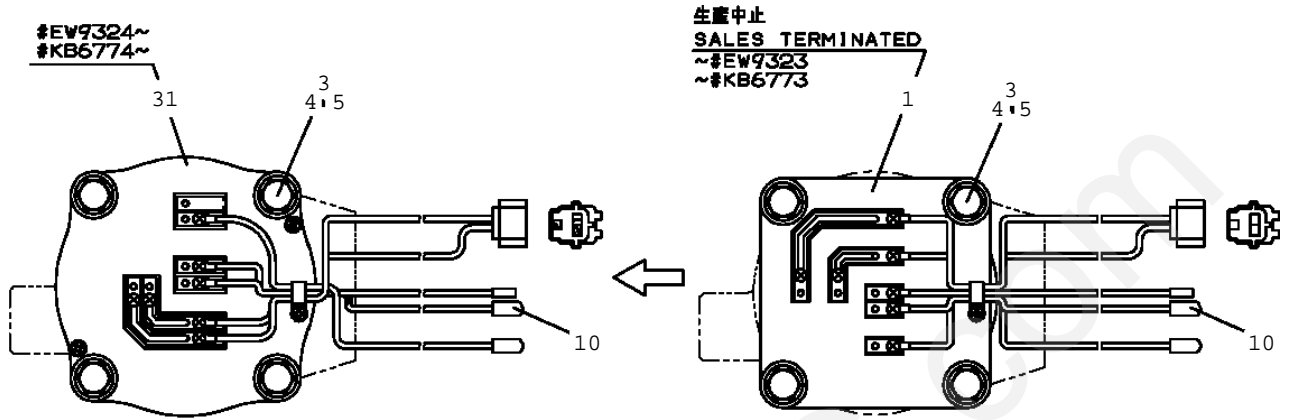


**TM-ZR360 41102310070A FRAME/SL, MANUAL, HOOK-IN**

Pos No.	Parts No	Parts Name	Qty	Unit	Technical Data	Serial No (Start)	Serial :
1	31631631000	JOINT, ROTARY	1				
2	91002801400	O-RING	5		1B P14		
3	91803600200	CLIP	1		D=13-20		
4	37002480810	HOSE	2		L=1000		
	37002439140	HOSE	2		L=1000		
5	37002480800	HOSE	2		L=930		
	37002458020	HOSE	2		L=930		
6	37002450960	HOSE	1		L=890		
	37002480790	HOSE	1		L=890		
7	37002480780	HOSE	1		L=890		
	37002458030	HOSE	1		L=890		
8	91002801100	O-RING	1		1B P11		
9	37002506230	HOSE	1		L=475		
10	31641031000	JOINT	1				
50	31631640000	JOINT, ROTARY	1				

www.AutoEPC.com

TM-ZR360 41102310070A FRAME/SL, MANUAL, HOOK-IN  
PB1300430-01 JOINT, ROTARY (RING ASSY, SLIP)



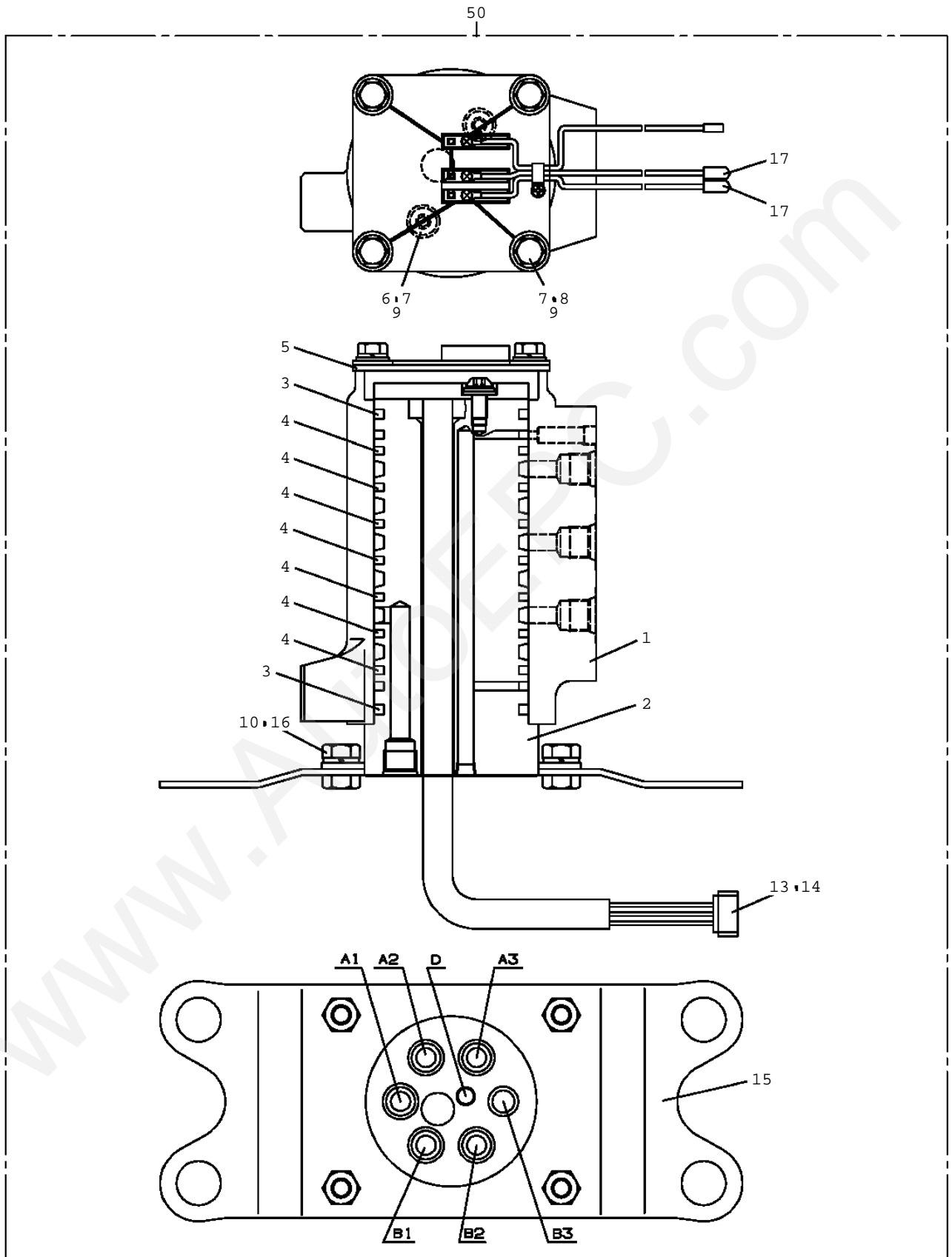
**TM-ZR360 41102310070A FRAME/SL,MANUAL,HOOK-IN**

Pos No.	Parts No	Parts Name	Qty	Unit	Technical Data	Serial No (Start)	Seri
1	31631061000	RING,SLIP	1				
2	90180208016	BOLT,BUTTON	2		M8X16		
3	90302040801	WASHER,SPRING	6		8		
4	90102208035	BOLT	4		M8X35		
5	90303070801	WASHER,PLAIN	6		8		
6	82114203020	CONNECTOR (CAP)	1				
7	82121502020	PLATE	1				
8	82114203030	CONNECTOR (CAP)	1				
9	82121502030	PLATE	1				
10	82100002855	CAP	2				
31	31631803000	RING ASSY,SLIP	1				

www.AutoEPC.com



TM-ZR360 41102310070A FRAME/SL, MANUAL, HOOK-IN  
PB1300527-00 JOINT, ROTARY



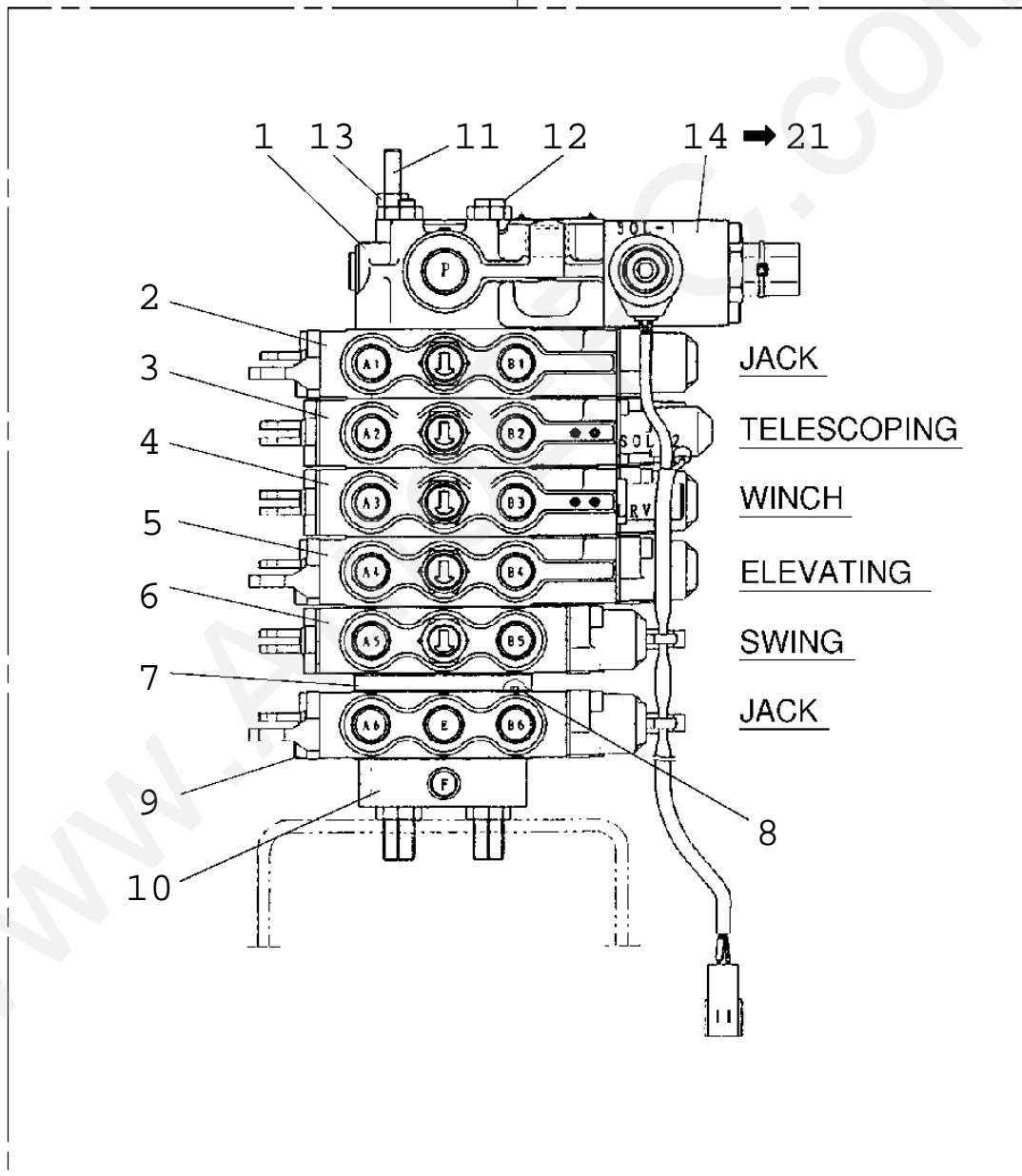
**TM-ZR360 41102310070A FRAME/SL, MANUAL, HOOK-IN**

Pos No.	Parts No	Parts Name	Qty	Unit	Technical Data	Serial No (Start)	Seri
1	31631121100	BODY	1				
2	31631121200	CORE	1				
3	91531208000	PACKING	2				
4	91100308000	RING, SEAL	7				
5	31631631100	RING, SLIP	1				
6	90180208016	BOLT, BUTTON	2		M8X16		
7	90302040801	WASHER, SPRING	6		8		
8	90102208014	BOLT	4		M8X14		
9	90303070801	WASHER, PLAIN	6		8		
10	90302041001	WASHER, SPRING	4		10		
13	82114203030	CONNECTOR (CAP)	1				
14	82121502030	PLATE	1				
15	31631121300	SUPPORT	1				
16	90171110016	BOLT	4		M10X16		
17	82100002855	CAP	2				
50	31631631000	JOINT, ROTARY	1				

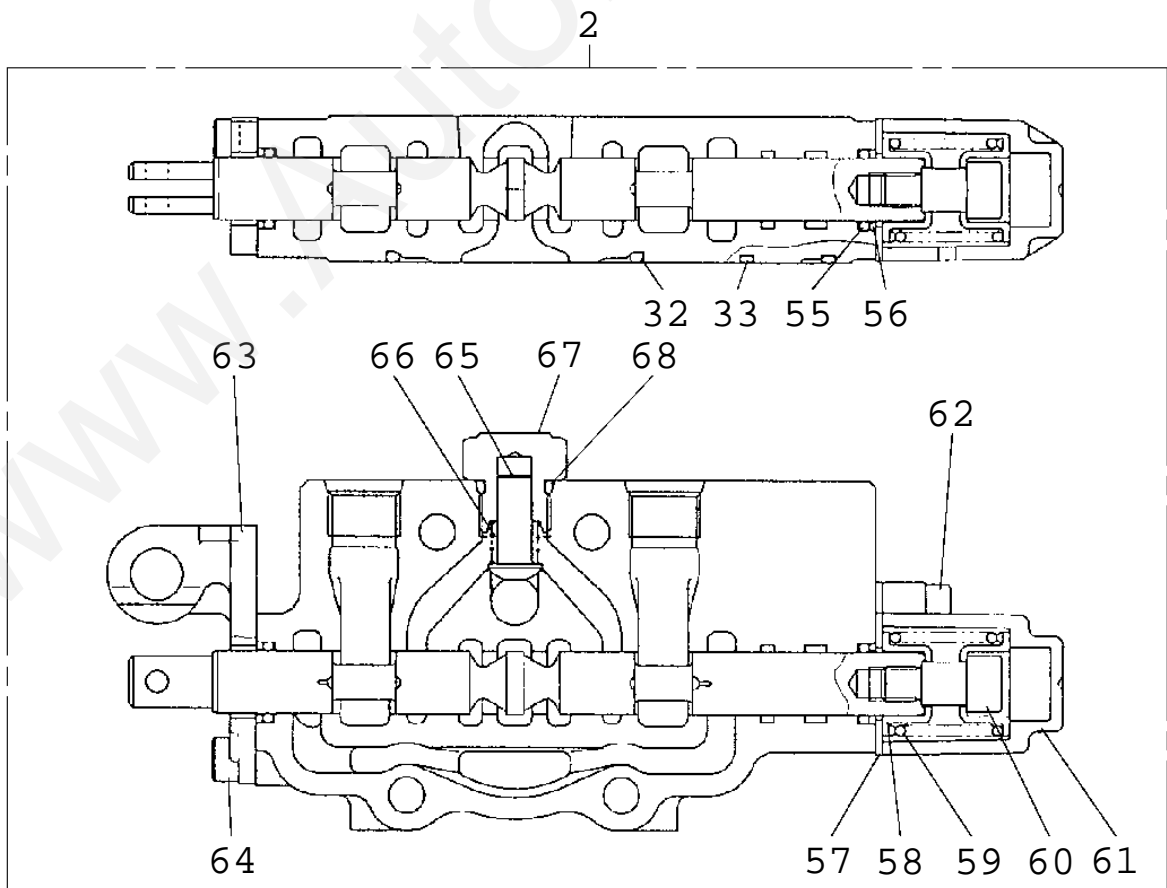
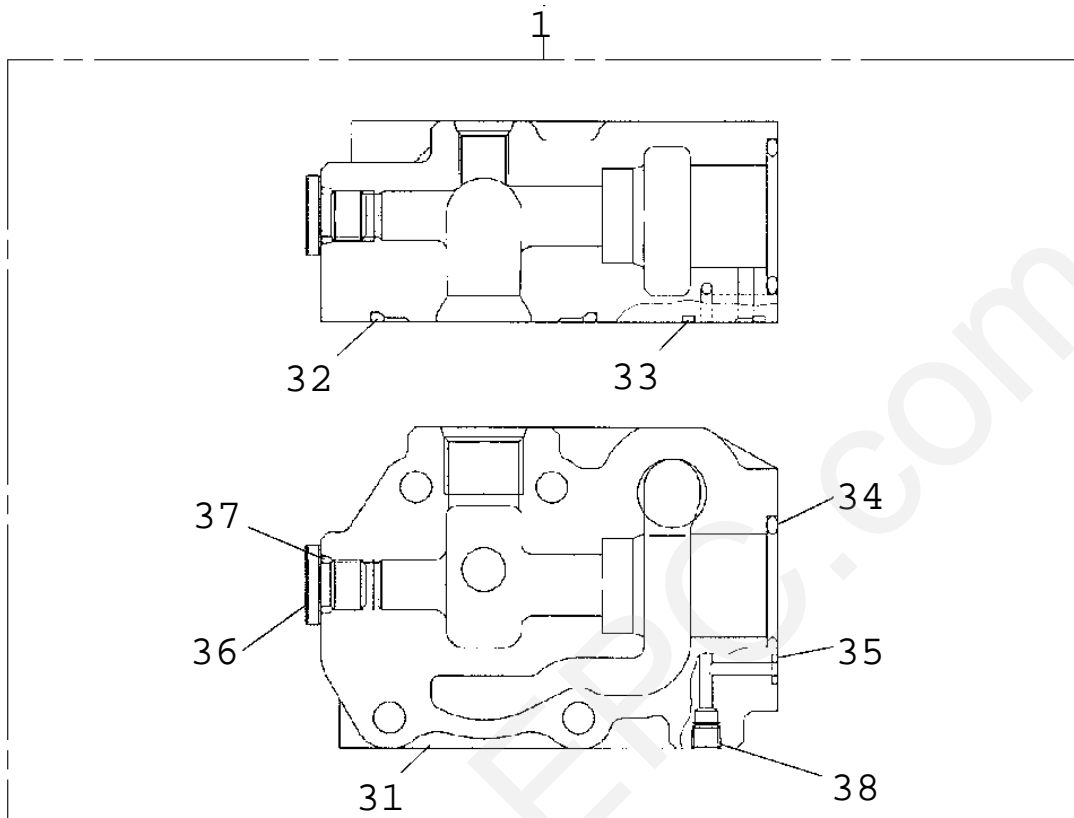
www.AutoEPC.com

TM-ZR360 41102310070A FRAME/SL, MANUAL, HOOK-IN  
PB1320514-01 VALVE, MANUAL CONTROL (NABCO)

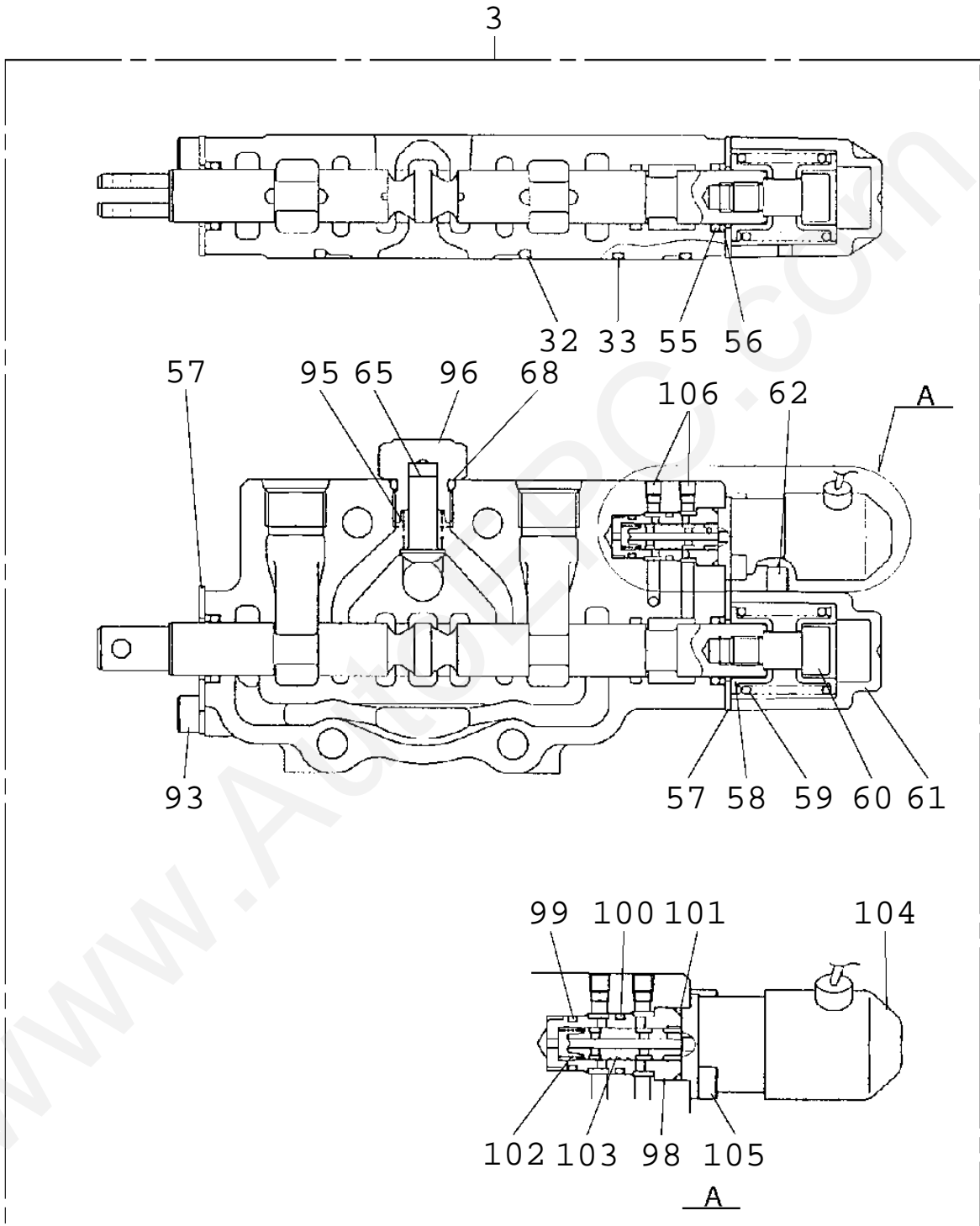
250



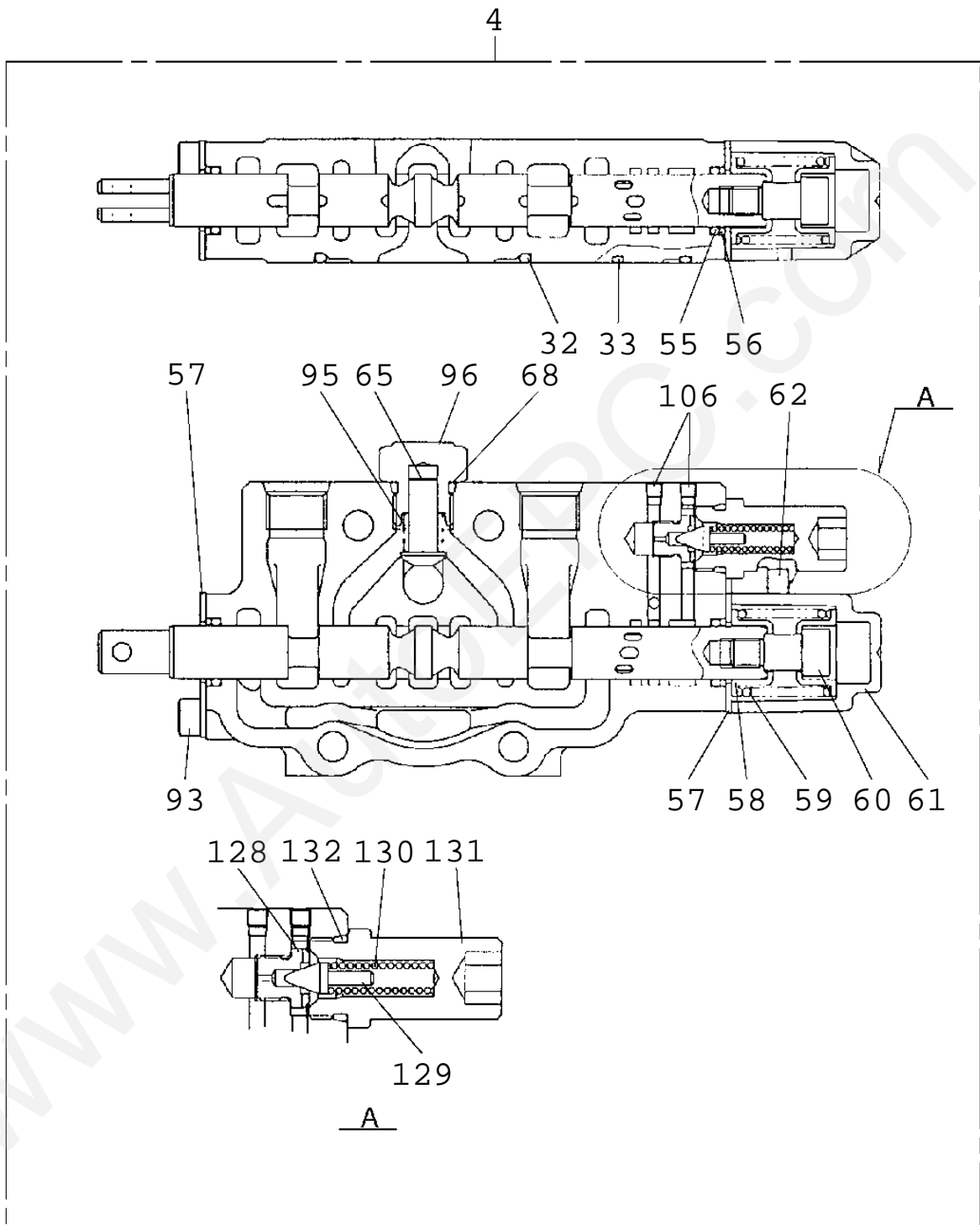
TM-ZR360 41102310070A FRAME/SL, MANUAL, HOOK-IN  
PB1320514-01 VALVE, MANUAL CONTROL (NABCO)



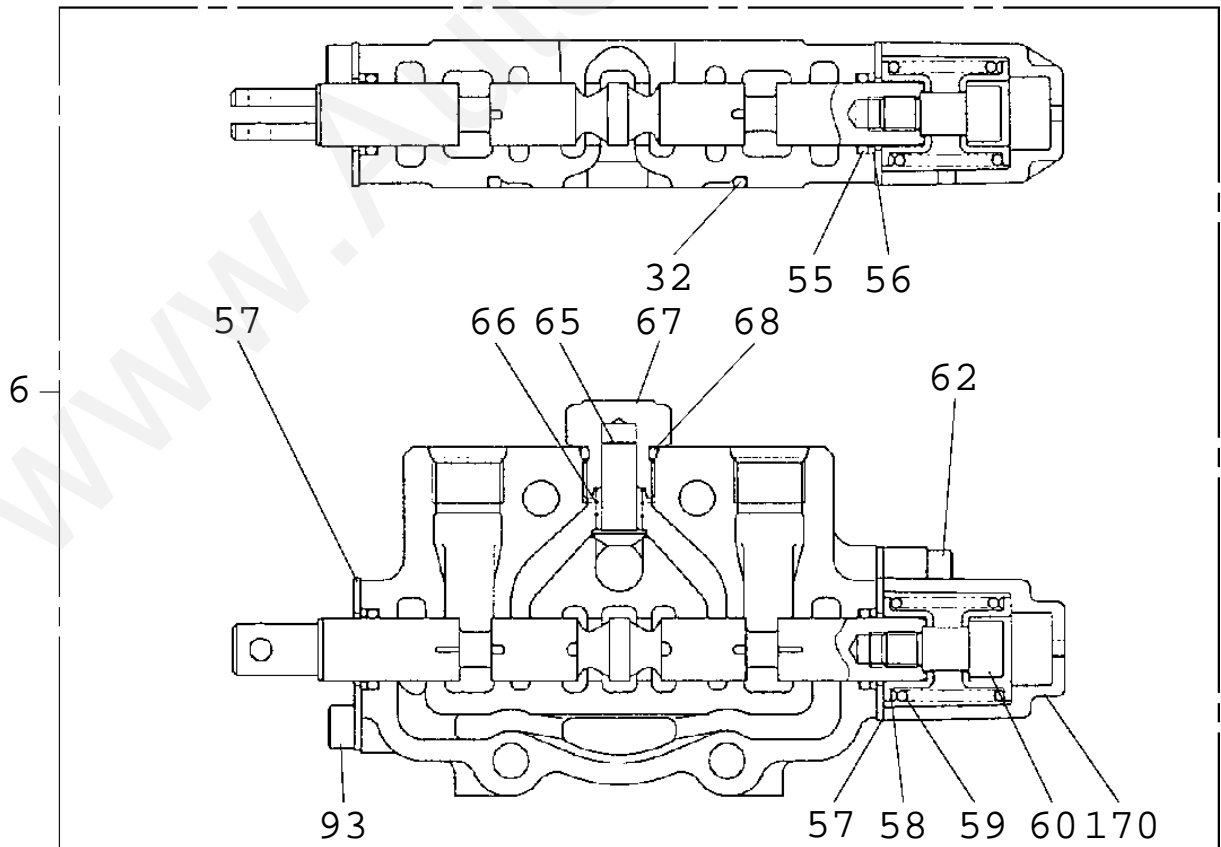
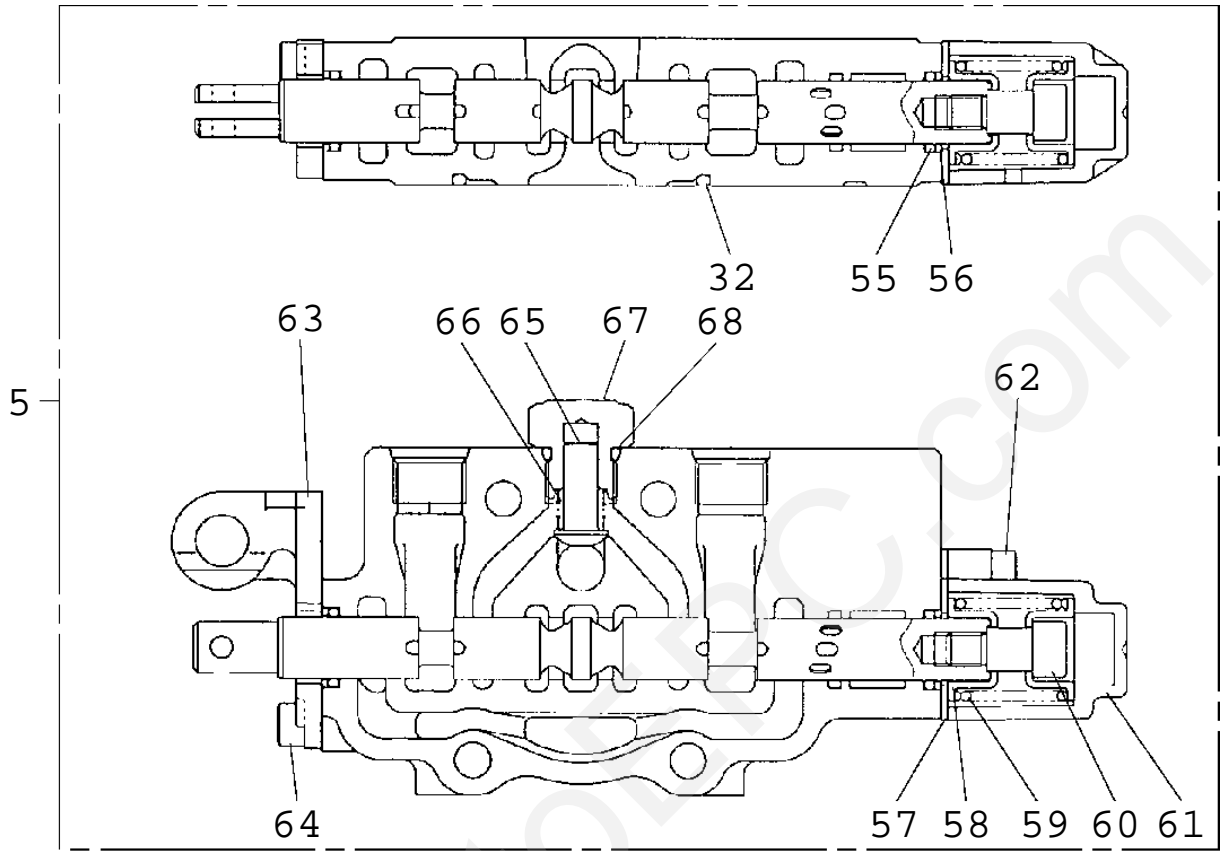
TM-ZR360 41102310070A FRAME/SL, MANUAL, HOOK-IN  
PB1320514-01 VALVE, MANUAL CONTROL (NABCO)



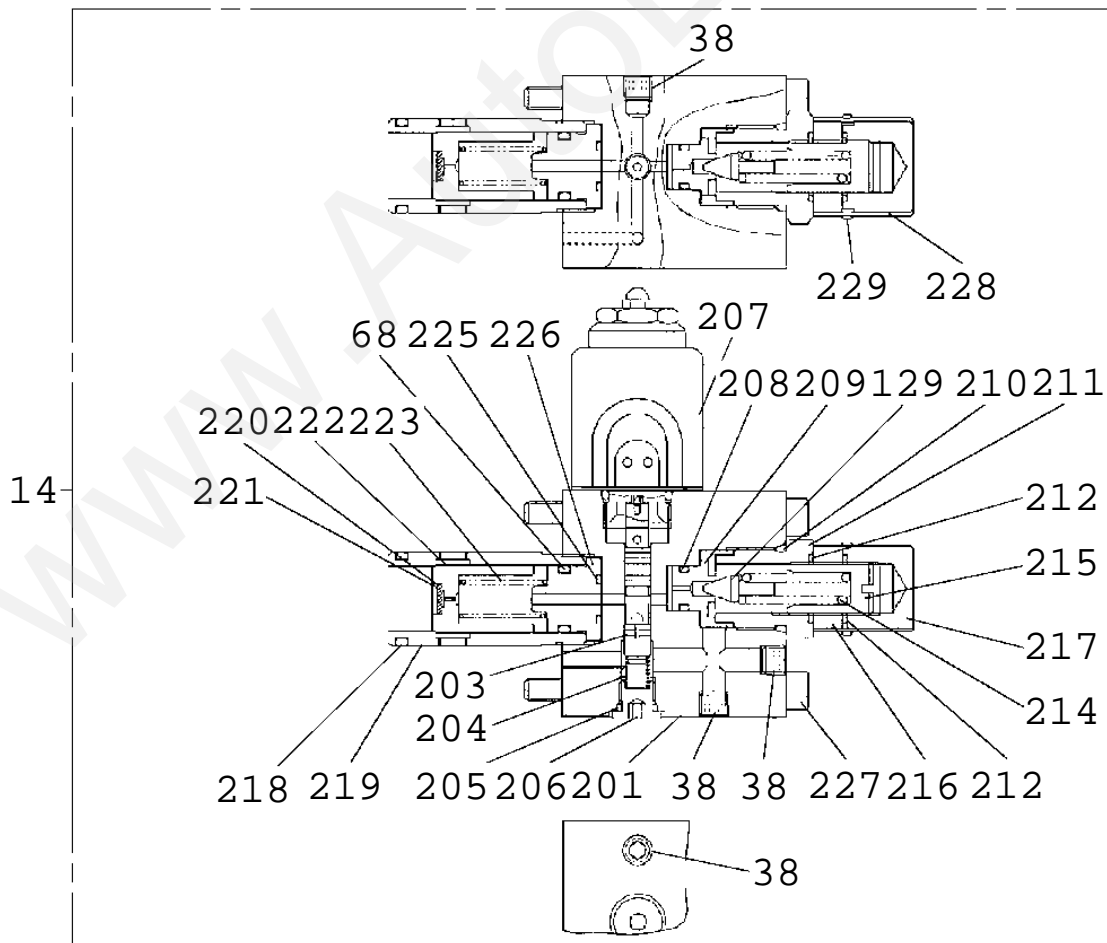
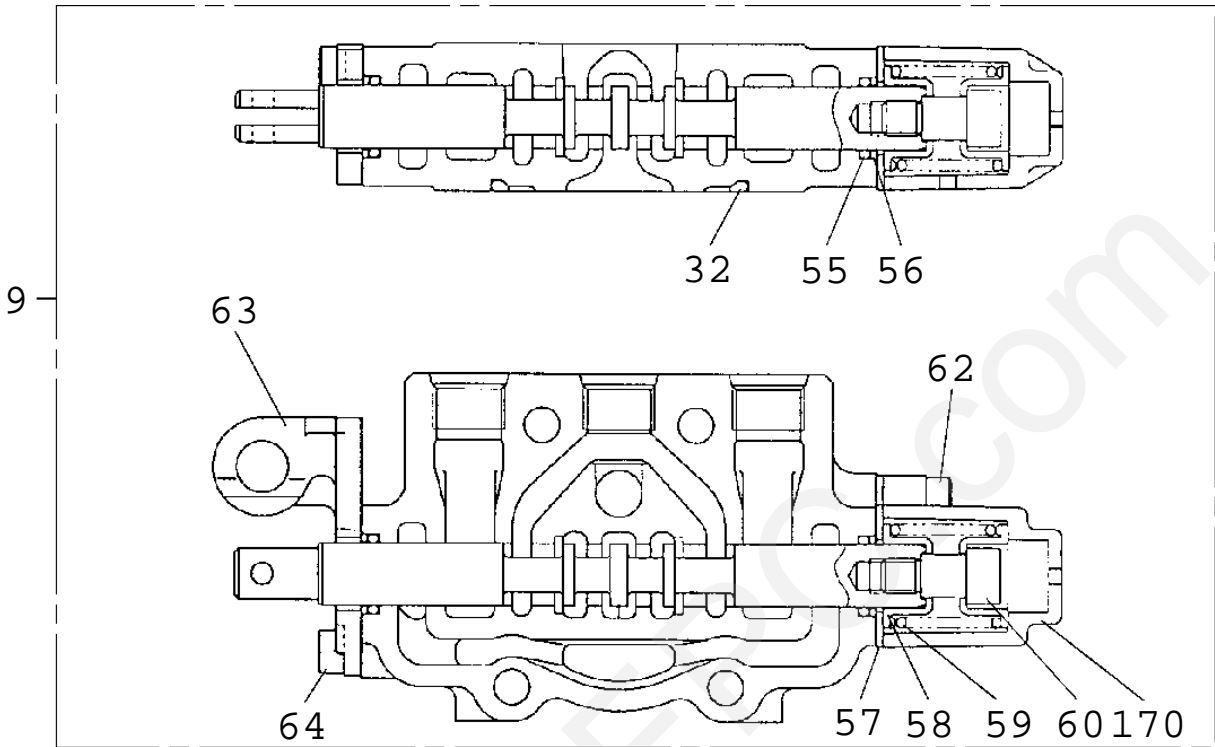
TM-ZR360 41102310070A FRAME/SL, MANUAL, HOOK-IN  
PB1320514-01 VALVE, MANUAL CONTROL (NABCO)



TM-ZR360 41102310070A FRAME/SL, MANUAL, HOOK-IN  
PB1320514-01 VALVE, MANUAL CONTROL (NABCO)

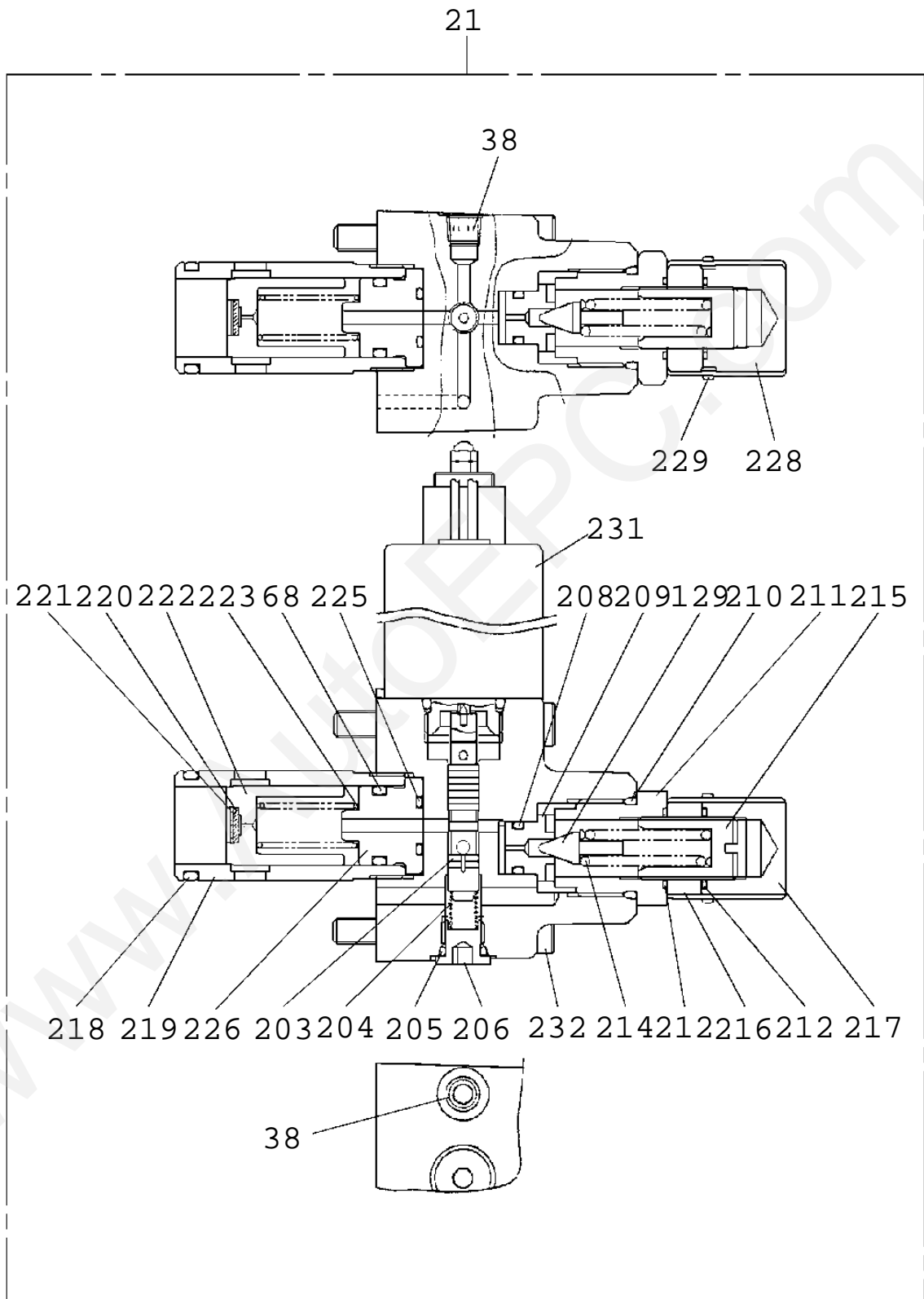


TM-ZR360 41102310070A FRAME/SL, MANUAL, HOOK-IN  
 PB1320514-01 VALVE, MANUAL CONTROL (NABCO)





TM-ZR360 41102310070A FRAME/SL, MANUAL, HOOK-IN  
PB1320514-01 VALVE, MANUAL CONTROL (NABCO)



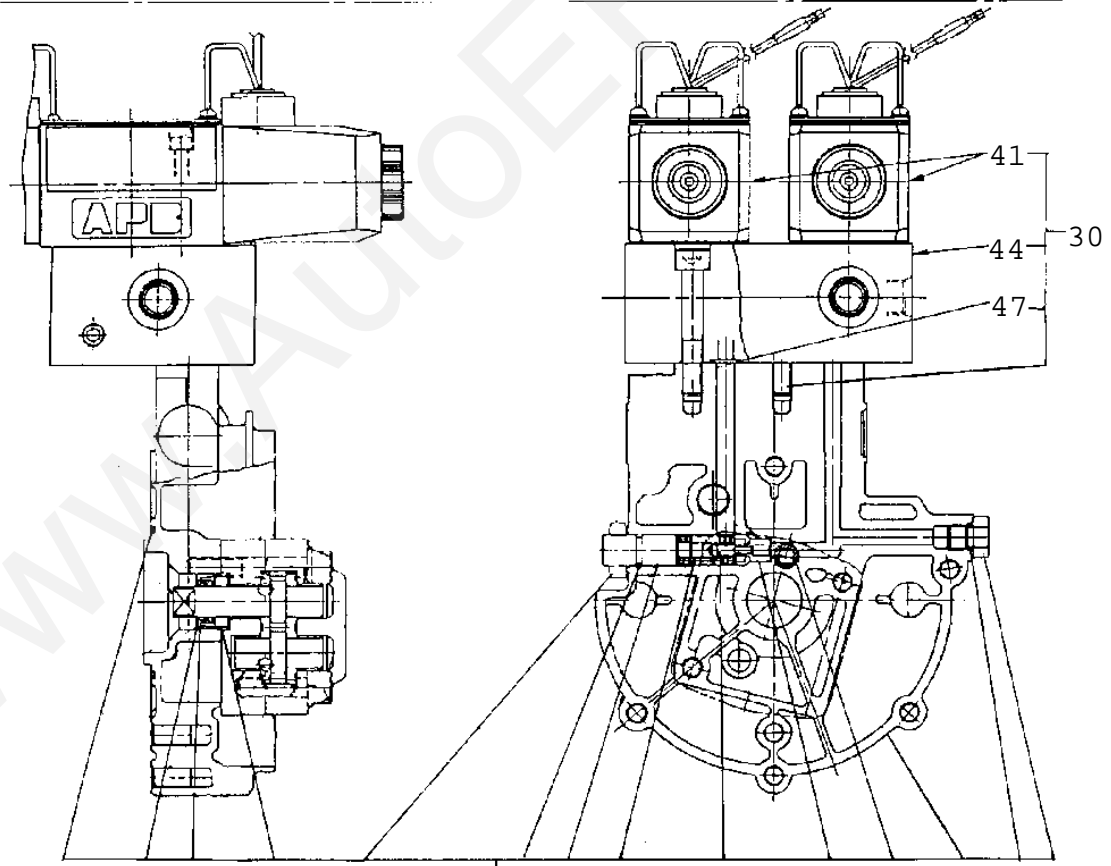
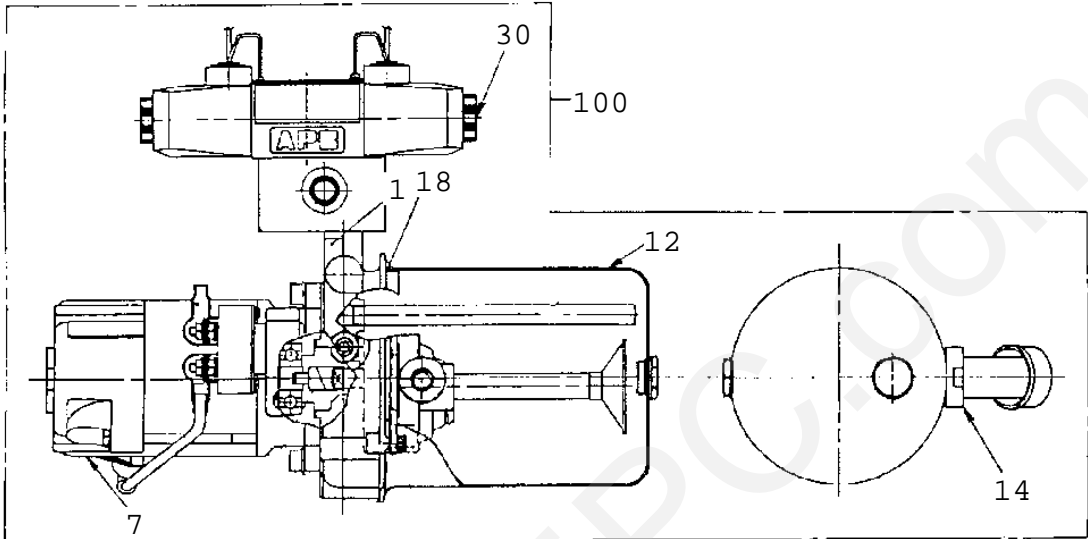
**TM-ZR360 41102310070A FRAME/SL, MANUAL, HOOK-IN**

Pos No.	Parts No	Parts Name	Qty	Unit	Technical Data	Serial No
1	36637335010	VALVE (BODY ASSY)	1			
2	36637375010	VALVE,CONTROL (JACK)	1			
3	36637375020	VALVE,CONTROL (TELESCOPING)	1			
4	36637335030	VALVE,CONTROL (WINCH)	1			
5	36637375030	VALVE,CONTROL (ELEVATING)	1			
6	36637375040	VALVE,CONTROL (SWING)	1			
7	36637425050	BLOCK	1			
8	91002905500	O-RING	1		1B G55	
9	36637375050	VALVE,CONTROL (JACK)	1			
10	36637425070	BODY	1			
11	36633165020	BOLT	1		M8X349	
12	36633165030	BOLT	3		M8X323	
13	90201200800	NUT	9		M8	
21	36637335450	VALVE,UNLOAD	1			
31	36637335110	BODY	1			
32	91002905500	O-RING	7		1B G55	
33	91002801800	O-RING	4		1B P18	
34	91002803500	O-RING	1		1B P35	
35	91002800600	O-RING	1		1B P6	
36	36637335120	PLUG	1		PF1/4	
37	91002801100	O-RING	1		1B P11	
38	36647205050	PLUG	3		NPT1-16	
55	36637335130	O-RING	12		1A P14.5	
56	36637335140	SEAL,DUST	12			
57	36637335150	RETAINER (SEAL)	10			
58	36637335160	RETAINER (SPRING)	12			
59	36637335170	SPRING	6			
60	36637335180	END,SPOOL	6			
61	36637335190	COVER (SPRING)	4			
62	36637335200	BOLT,HEXAGON SOCKET	12		M6X20	
63	36637335210	COVER	3			
64	36637335220	BOLT,HEXAGON SOCKET	6		M6X15	
65	36636435060	VALVE,CHECK	5			
66	36635555080	SPRING	3			
67	36635045040	RETAINER (VALVE)	3			
68	91002801400	O-RING	6		1B P14	
93	36637335310	BOLT,HEXAGON SOCKET	6		M6X10	
95	36635535140	SPRING	2			
96	36634085090	RETAINER (VALVE)	2			
98	36637335230	SOCKET	1			
99	36637335240	O-RING	1		1AS10	
100	36637335250	O-RING	1		1A S11.2	
101	36637335260	O-RING	1		1AS14	
102	36637335270	SPRING	1			
103	36637335280	SPOOL	1			
104	36637335290	SOLENOID ASSY	1			
105	36637335300	BOLT,HEXAGON SOCKET	2		M4X8	
106	36647205070	PLUG	4		GPM1/32	
128	36637335320	SEAT,VALVE	1			
129	14225101010	VALVE,REGULATOR	2			
130	36635175110	SPRING	1			
131	36637335330	CAP	1			
132	36637335340	O-RING	1		1B P15	
170	36637335350	COVER	2			
203	36637335370	SPOOL	1			
204	36637545050	SPRING	1			
205	91002800800	O-RING	1		1B P8	
206	36634915280	PLUG	1			
208	91002800900	O-RING	1		1B P9	
209	36637455020	SEAT,VALVE	1			
210	19215101010	O-RING	1			
211	36630285130	BODY	1			
212	91001001600	O-RING	2		1A S16	
214	16025153020	SPRING	1			
215	36630045200	SCREW (ADJUSTING)	1		M10X25	
216	36630045220	NUT	1		M10	
217	36630045210	NUT,CAP	1			
218	91002802100	O-RING	1		1B P21	
219	36637335390	SOCKET	1			
220	36643175050	FILTER	1			
221	80602110080	RING,RITAINING	1		R8	
222	36637545060	VALVE,REGULATOR	1			
223	36630705290	SPRING	1			
225	91002801000	O-RING	1		1B P10	

**TM-ZR360 41102310070A FRAME/SL,MANUAL,HOOK-IN**

Pos No.	Parts No	Parts Name	Qty	Unit	Technical Data	Serial No
226	36637335410	STOPPER	1			
228	36630045230	TUBE	1			
229	36637335430	BAND	1			
231	36637335460	SOLENOID ASSY	1			
232	36637335470	BOLT,HEXAGON SOCKET	3		M6X45	
250	36637370000	VALVE,MANUAL CONTROL (NABCO)	1			

www.AutoEPC.com

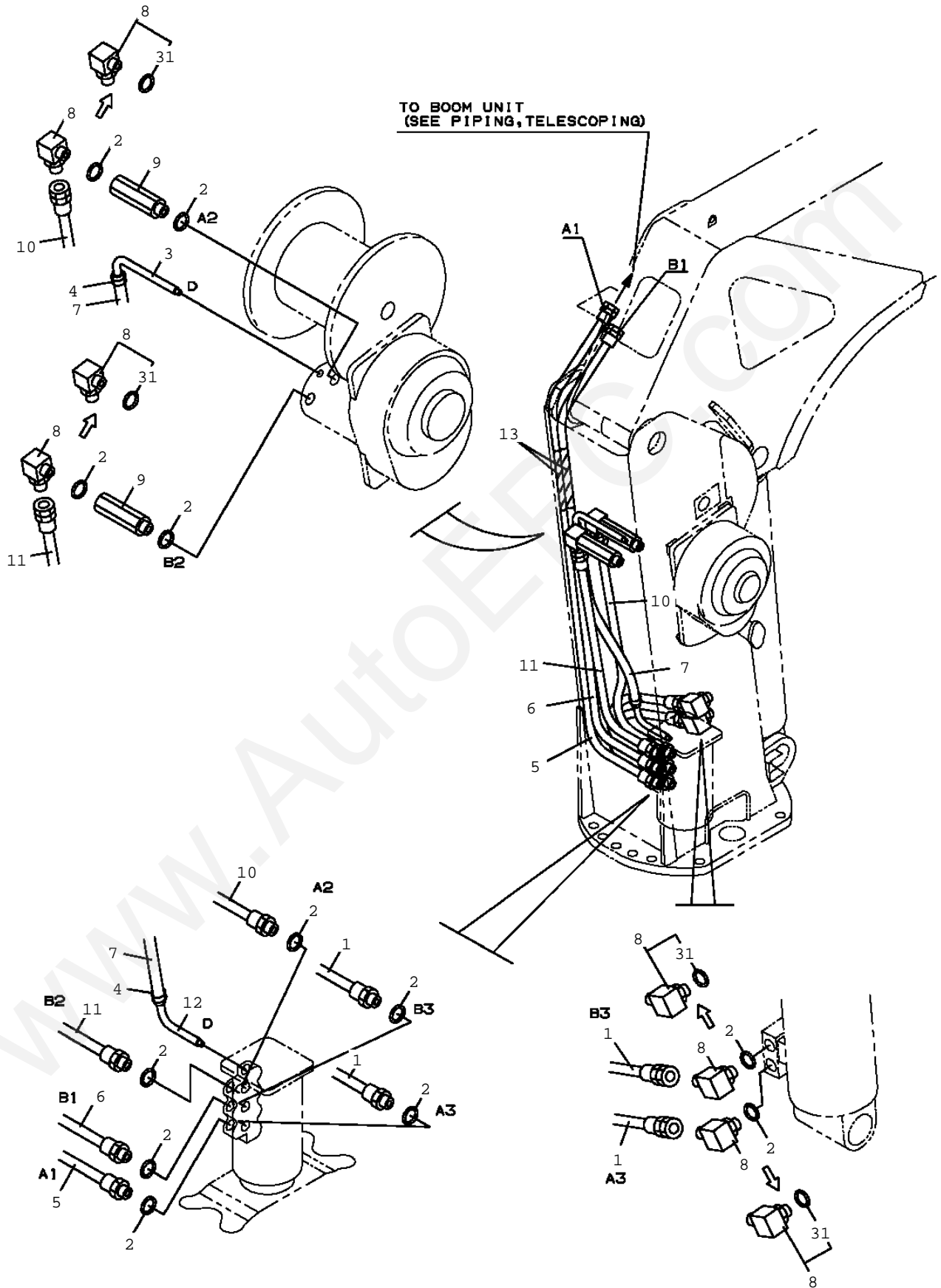


**TM-ZR360 41102310070A FRAME/SL, MANUAL, HOOK-IN**

Pos No.	Parts No	Parts Name	Qty	Unit	Technical Data	Serial No (Start)
1	31611617510	ADAPTER ASSY	1			
7	31611617590	MOTOR ASSY	1			
12	31611617530	TANK	1			
14	31611617540	CAP (OIL FILLER)	1			
18	44550417860	GASKET (WITH O-RING)	1			
30	31611617550	VALVE ASSY	1			
41	31611617560	VALVE, SOLENOID	2			
44	31611617570	MANIFOLD	1			
47	31611617580	O-RING	2			
100	31611613101	POWER SUPPLY	1			

www.AutoEPC.com

TM-ZR360 41102310070A FRAME/SL, MANUAL, HOOK-IN  
PB1400298-03 PIPING, UPPER

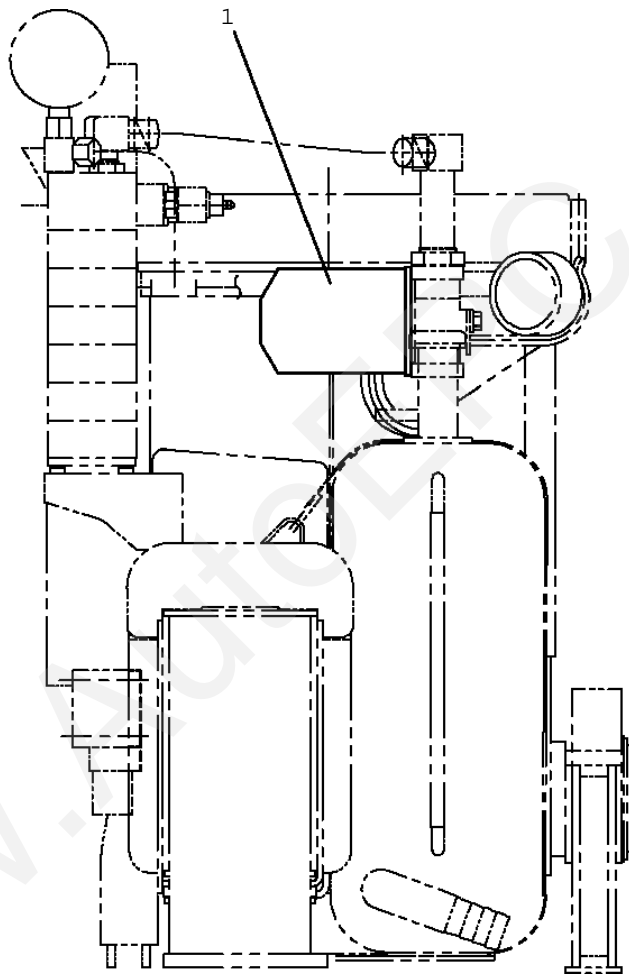


**TM-ZR360 41102310070A FRAME/SL, MANUAL, HOOK-IN**

Pos No.	Parts No	Parts Name	Qty	Unit	Technical Data	Serial No (Start)
1	37002448730	HOSE	2		L=330	
2	91002801400	O-RING	8		1B P14	
3	37000804580	JOINT	1			
4	91803880070	CLIP	2		D=13.1-16.2	
5	37002459330	HOSE	1		L=1360	
6	37002459320	HOSE	1		L=1300	
7	37002501360	HOSE	1		L=450	
8	80430620600	JOINT (WITH O-RING)	4		L,G3/8-G3/8	
9	37000920990	JOINT	2			
10	37002480680	HOSE	1		L=600	
	37002448850	HOSE	1		L=600	
11	37002448860	HOSE	1		L=560	
	37002480670	HOSE	1		L=560	
12	37000800310	JOINT	1			
13	82100001412	TUBE, SPIRAL	1	M	SE-12BK	
31	91002801400	O-RING	4		1B P14	

www.AutoEPC.com

TM-ZR360 41102310070A FRAME/SL, MANUAL, HOOK-IN  
PB1410912-01 PIPING, LOWER (REPLACE FILTER)



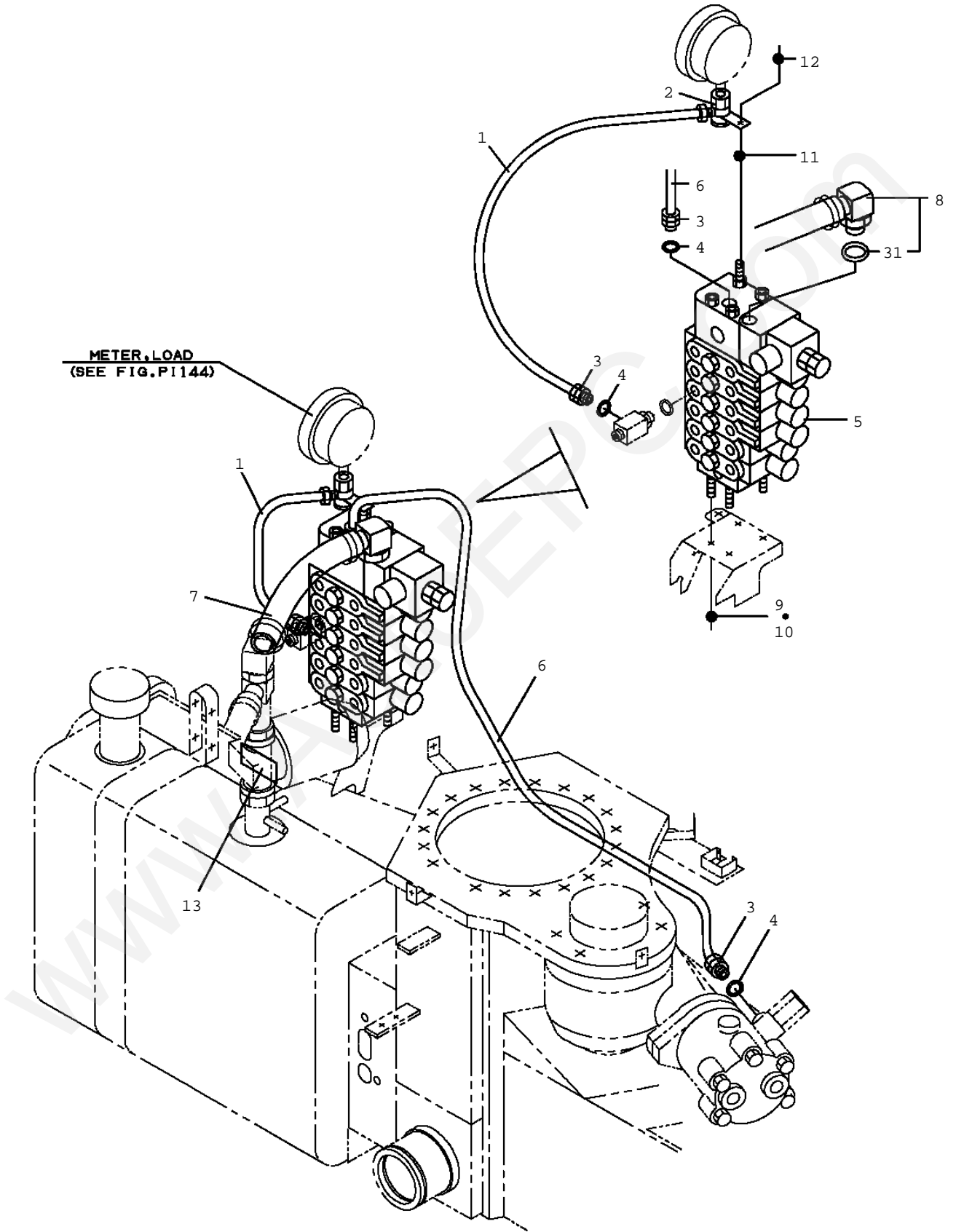


**TM-ZR360 41102310070A FRAME/SL,MANUAL,HOOK-IN**

Pos No.	Parts No	Parts Name	Qty	Unit	Technical Data	Serial No (Start)	Ser
1	36672580000	FILTER,CARTRIDGE	1				

www.AutoEPC.com

TM-ZR360 41102310070A FRAME/SL, MANUAL, HOOK-IN  
PB1411498-00 PIPING, LOWER (VALVE/NABCO)

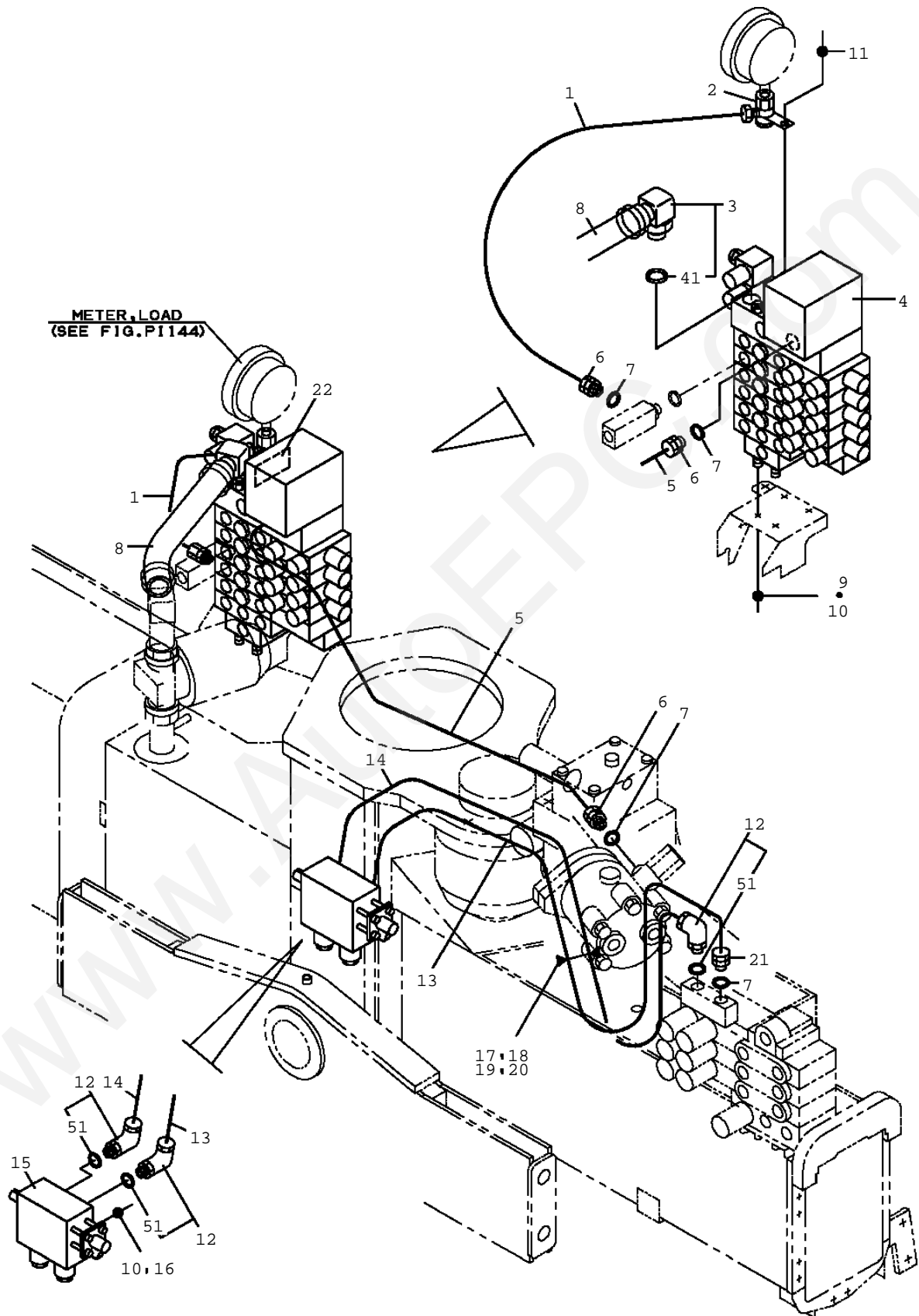


**TM-ZR360 41102310070A FRAME/SL,MANUAL,HOOK-IN**

Pos No.	Parts No	Parts Name	Qty	Unit	Technical Data	Serial No
1	81408000100	PIPE,STEEL	1	M	10X1.2T	
2	31644592100	JOINT,ROTARY	1			
3	80302090101	FITTING	3		KC010-020N	
4	91002801100	O-RING	3		1B P11	
5	36637370000	VALVE,MANUAL CONTROL (NABCO)	1			
6	81408000100	PIPE,STEEL	2	M	10X1.2T	
7	37002504180	HOSE	1		L=280	
8	80400160182	JOINT (WITH O-RING)	1			
9	90201780800	NUT	4		M8	
10	90302040801	WASHER,SPRING	4		8	
11	90303070801	WASHER,PLAIN	1		8	
12	90280200800	NUT,FLANGE	1		M8	
13	31490000210	PLATE,CAUTION	1			
31	91002801800	O-RING	1		1B P18	

www.AutoEPC.com

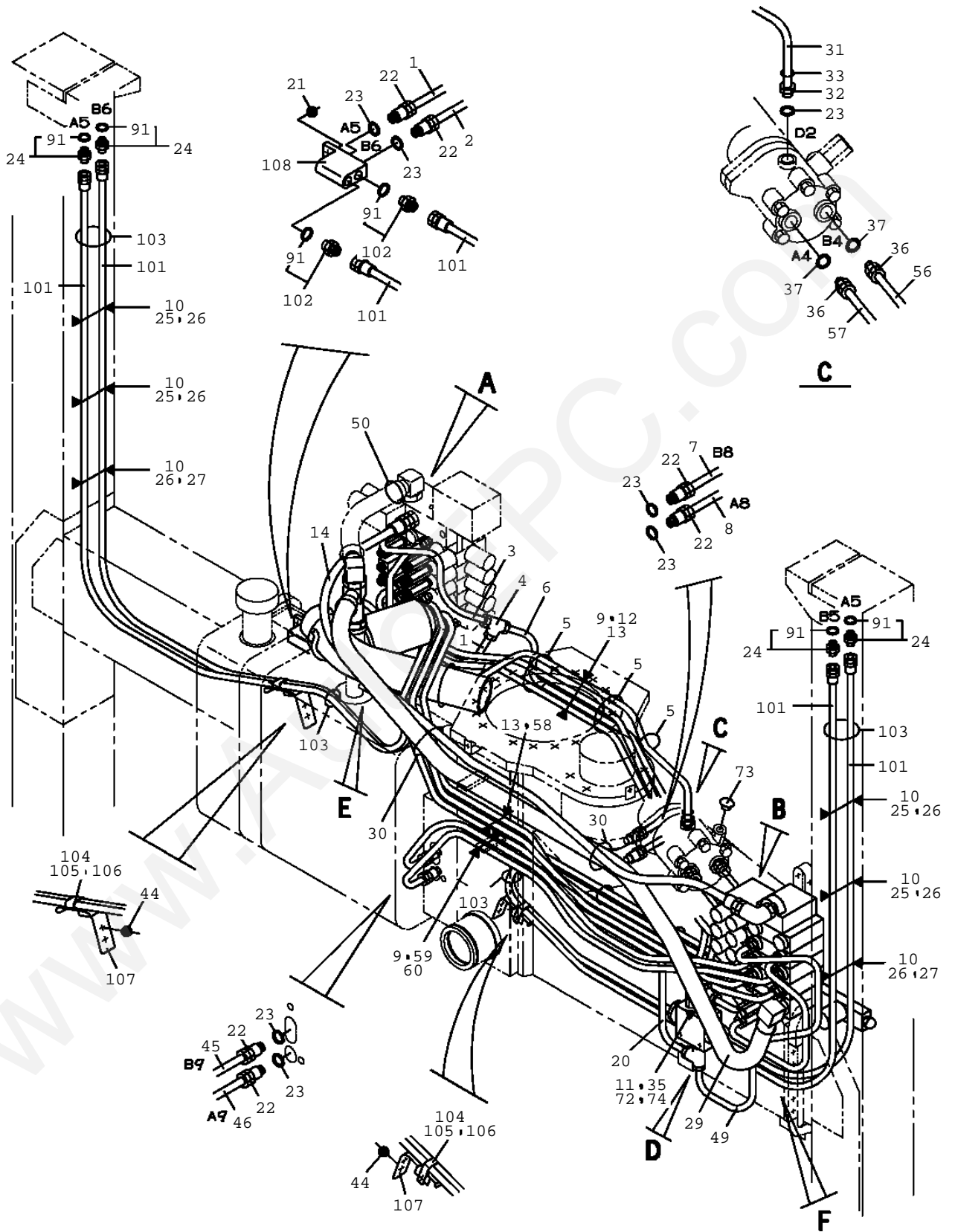
TM-ZR360 41102310070A FRAME/SL, MANUAL, HOOK-IN  
PB1411501-00 PIPING, LOWER (REMOTE CONT. VALVE/NACHI)



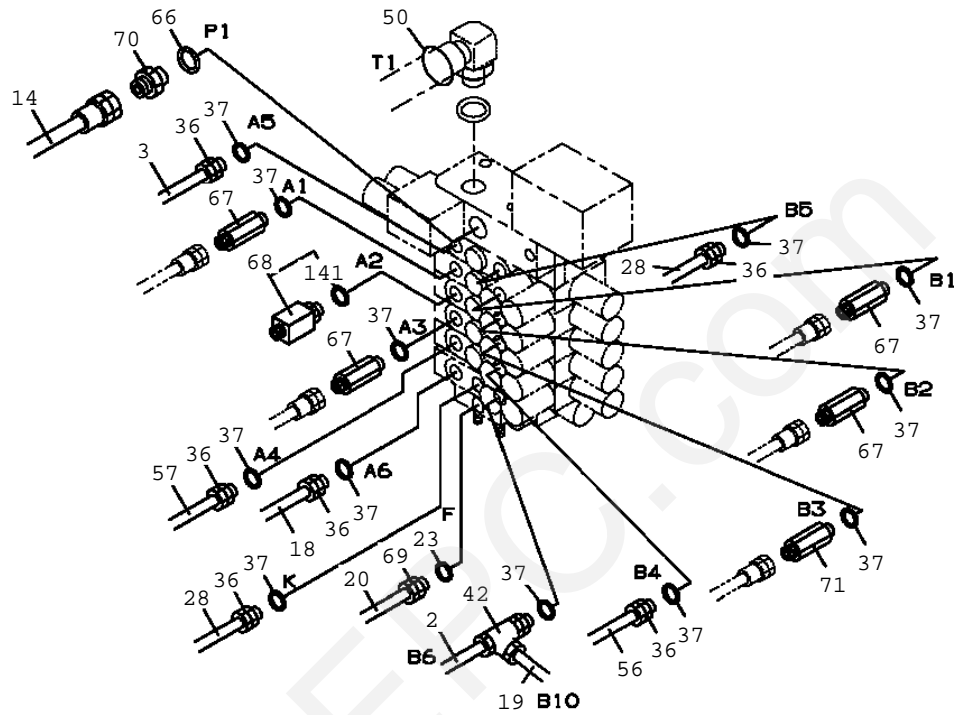
**TM-ZR360 41102310070A FRAME/SL,MANUAL,HOOK-IN**

Pos No.	Parts No	Parts Name	Qty	Unit	Technical Data	Serial No
1	81408000100	PIPE,STEEL	1	M	10X1.2T	
2	31644592100	JOINT,ROTARY	1			
3	80400160182	JOINT (WITH O-RING)	1			
4	36648030000	VALVE,REMOTE CONTROL (NACHI)	1			
5	81408000100	PIPE,STEEL	1	M	10X1.2T	
6	80302090101	FITTING	3		KCO10-020N	
7	91002801100	O-RING	4		1B P11	
8	37002510990	HOSE	1		L=310	
9	90201780800	NUT	4		M8	
10	90302040801	WASHER,SPRING	6		8	
11	90186208014	BOLT,FLANGE	1		M8X14	
12	80303130081	FITTING,ELBOW	3		KLO08-020E	
13	81408000081	PIPE,STEEL	2	M	8X1.2T	
14	81408000081	PIPE,STEEL	2	M	8X1.2T	
15	36062800000	CYLINDER,ACCELERATOR	1			
16	90101208070	BOLT	2		M8X70	
17	37000312580	SLEEVE	2			
18	90101208035	BOLT	1		M8X35	
19	37005700130	CLAMP	1		10X2	
20	90303071001	WASHER,PLAIN	1		10	
21	80302090081	FITTING	1		KCO80-020N	
22	31490000210	PLATE,CAUTION	1			
41	91002801800	O-RING	1		1B P18	
51	91002801100	O-RING	3		1B P11	

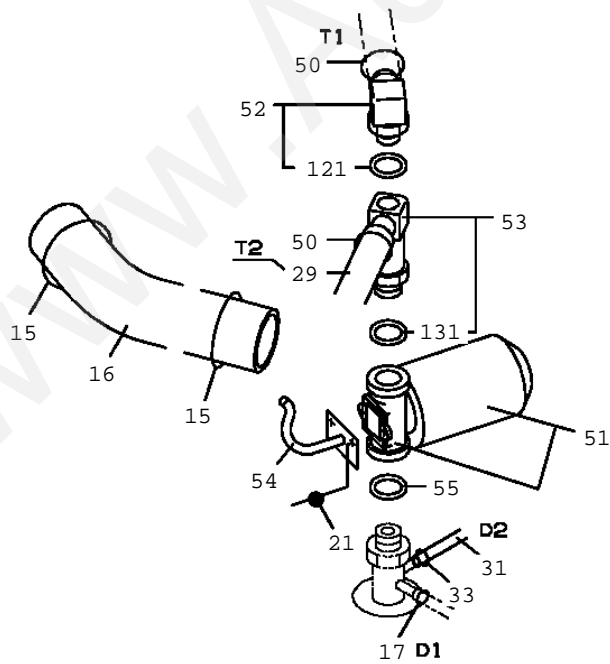
TM-ZR360 41102310070A FRAME/SL, MANUAL, HOOK-IN  
PB1411840-00 PIPING, LOWER



TM-ZR360 41102310070A FRAME/SL, MANUAL, HOOK-IN  
PB1411840-00 PIPING, LOWER

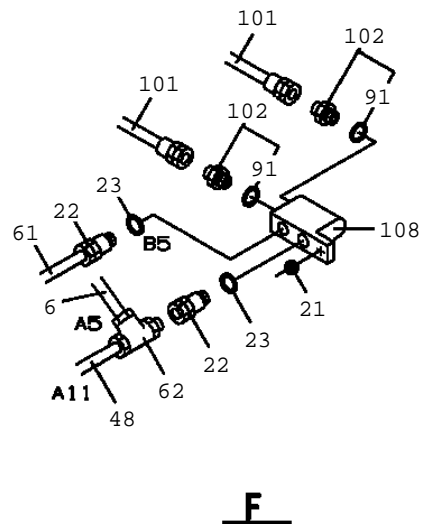
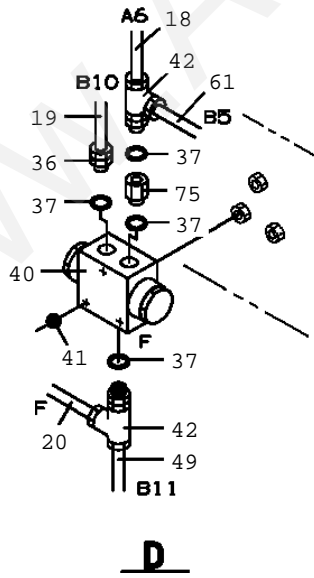
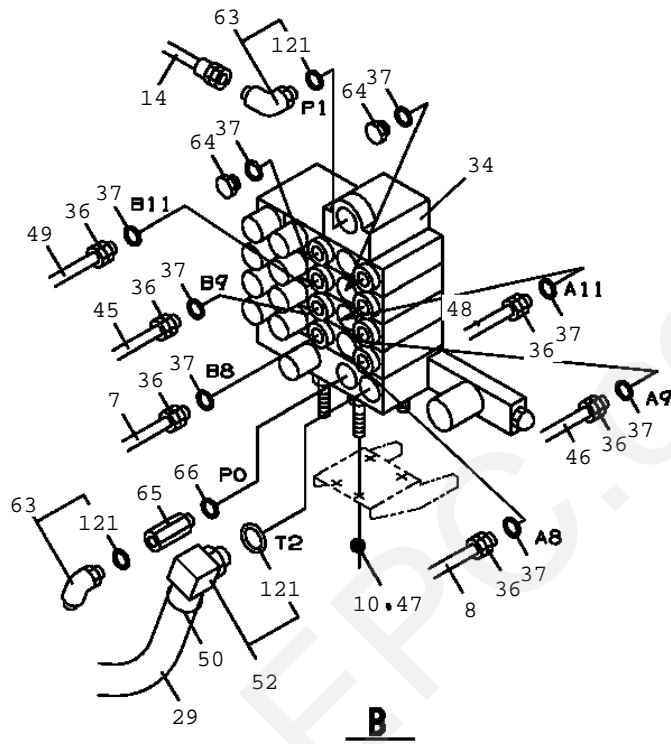


**A**



**E**

TM-ZR360 41102310070A FRAME/SL, MANUAL, HOOK-IN  
PB1411840-00 PIPING, LOWER





**TM-ZR360 41102310070A FRAME/SL, MANUAL, HOOK-IN**

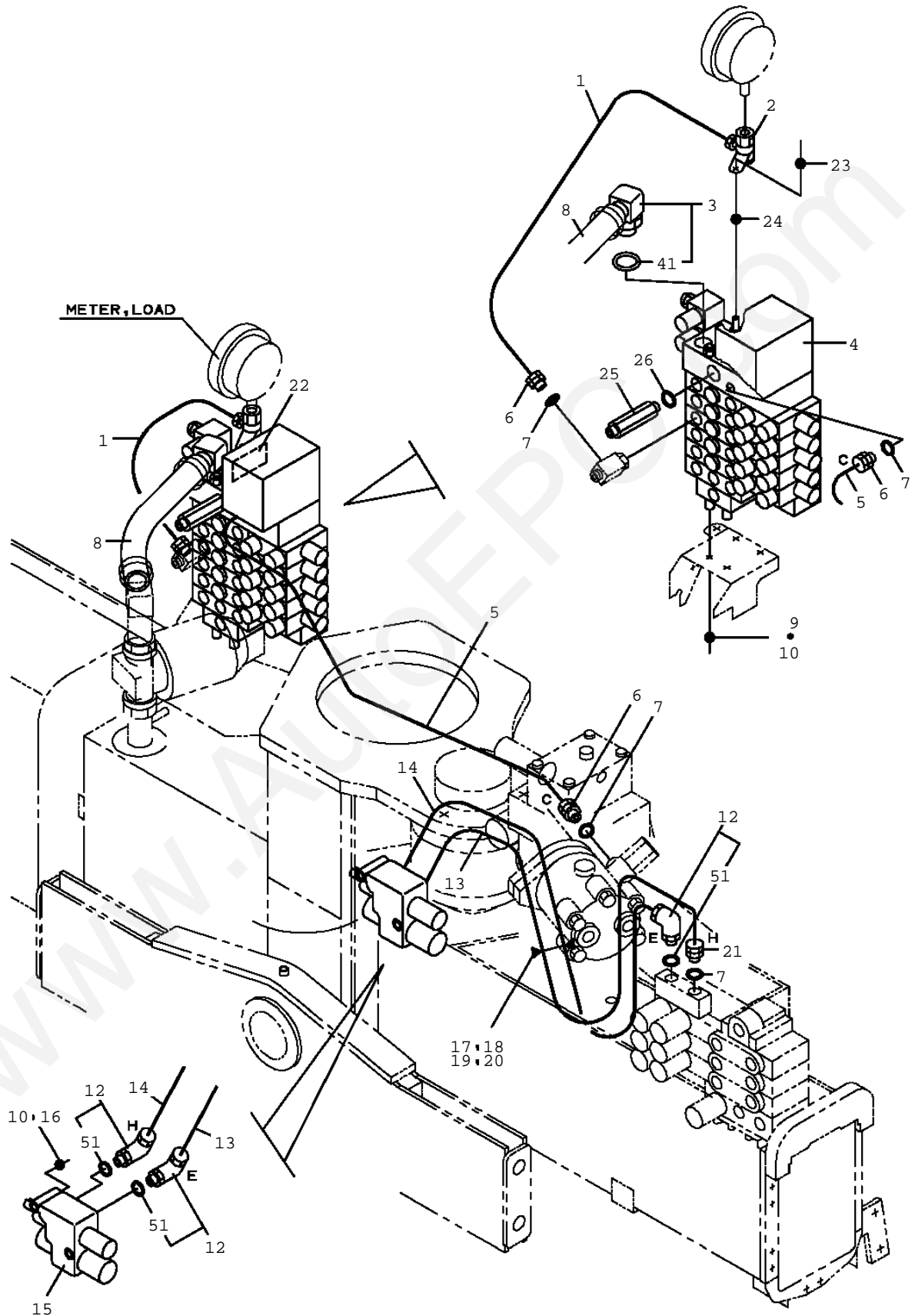
Pos No.	Parts No	Parts Name	Qty	Unit	Technical Data	Serial No (Start)
1	81408000100	PIPE,STEEL	1	M	10X1.2T	
2	81408000100	PIPE,STEEL	1	M	10X1.2T	
3	81408000100	PIPE,STEEL	1	M	10X1.2T	
4	80305010080	FITTING,TEE	1		KTA10-000N	
5	91810130240	FASTENER	3			
6	81408000100	PIPE,STEEL	2	M	10X1.2T	
7	81408000100	PIPE,STEEL	2	M	10X1.2T	
8	81408000100	PIPE,STEEL	2	M	10X1.2T	
9	90280200800	NUT,FLANGE	3		M8	
10	90302040801	WASHER,SPRING	12		8	
11	37000314730	SPACER	1			
12	37005700130	CLAMP	2			
13	90101208055	BOLT	3		10X2	
14	37002457310	HOSE	1		M8X55	
15	91810130270	FASTENER	2		L=1750	
16	31641800300	COVER	1			
17	91803600200	CLIP	1			
18	81408000100	PIPE,STEEL	2	M	D=13-20	
19	81408000100	PIPE,STEEL	2	M	10X1.2T	
20	81408000100	PIPE,STEEL	2	M	10X1.2T	
21	90186210014	BOLT,FLANGE	4		M10X14	
22	37000924350	FITTING	8			
23	91002801100	O-RING	10		1B P11	
24	80491002020	JOINT (WITH O-RING)	4			
25	82100002039	CLAMP	4			
26	90240200800	NUT,CAP	8		M8	
27	37000600920	CLAMP	2		L=90	
28	81408000100	PIPE,STEEL	1	M	10X1.2T	
29	37002512480	HOSE	1		L=1600	
30	91810132530	FASTENER	2			
31	37002500190	HOSE	1		L=1300	
32	31644591300	JOINT	1			
33	91803880070	CLIP	2		D=13.1-16.2	
34	36648230001	VALVE,REMOTE CONTROL	1			
35	90172106060	BOLT,HEXAGON SOCKET	1		M6X60	
36	80302090121	FITTING	15		KCO10-030N	
37	91002801400	O-RING	26		1B P14	
40	36611670000	VALVE,FLOW CONTROL	1			
41	90172106032	BOLT,HEXAGON SOCKET	2		M6X32	
42	80305120100	FITTING	3			
44	90186208014	BOLT,FLANGE	4		M8X14	
45	81408000100	PIPE,STEEL	2	M	10X1.2T	
46	81408000100	PIPE,STEEL	2	M	10X1.2T	
47	90201780800	NUT	4		M8	
48	81408000100	PIPE,STEEL	1	M	10X1.2T	
49	81408000100	PIPE,STEEL	1	M	10X1.2T	
50	91803600400	CLIP	4		D=27-40	
51	36672280000	FILTER,OIL (YAMASHIN)	1			
52	80400160182	JOINT (WITH O-RING)	2			
53	80400160203	JOINT (WITH O-RING)	1			
54	31642781200	SUPPORT	1			
55	91002802900	O-RING	1		1B P29	
56	81408000100	PIPE,STEEL	2	M	10X1.2T	
57	81408000100	PIPE,STEEL	2	M	10X1.2T	
58	37005700140	CLAMP	1			
59	37005700030	CLAMP	1		12X2	
60	37000300720	SLEEVE	2		12-10	
61	81408000100	PIPE,STEEL	1	M	10X1.2T	
62	80305100100	FITTING,TEE	1		KCT10-000N	
63	80430620800	JOINT	2			
64	80316070060	PLUG	2		PF3/8	
65	37000925740	JOINT	1		S G1/2-G1/2	
66	91002801800	O-RING	2		1B P18	
67	80481003037	JOINT	4			
68	80400160180	JOINT (WITH O-RING)	1			
69	80302090101	FITTING	1		KCO10-020N	
70	80400160131	JOINT	1			
71	80481003027	JOINT	1			
72	37000604210	CLAMP	1		D=36	
73	82401800080	PLUG (FOR M8)	1			
74	90303070601	WASHER,PLAIN	1		6	
75	37000926820	JOINT	1			
91	91002801100	O-RING	8		1B P11	
101	37002456760	HOSE	4		L=3210	

**TM-ZR360 41102310070A FRAME/SL, MANUAL, HOOK-IN**

Pos No.	Parts No	Parts Name	Qty	Unit	Technical Data	Serial No (Start)
102	80491002020	JOINT (WITH O-RING)	4			
103	91810130240	FASTENER	8			
104	31642591240	CLAMP	2		12X2	
105	90186208014	BOLT, FLANGE	2		M8X14	
106	90280200800	NUT, FLANGE	2		M8	
107	31642851530	SUPPORT	2			
108	31644591450	JOINT	2			
121	91002801800	O-RING	4		1B P18	
131	91002802900	O-RING	1		1B P29	
141	91002801400	O-RING	1		1B P14	

www.AutoEPC.com

TM-ZR360 41102310070A FRAME/SL, MANUAL, HOOK-IN  
PB1411869-00 PIPING, LOWER (REMOTE CONT. VALVE/SANWA)



**TM-ZR360 41102310070A FRAME/SL, MANUAL, HOOK-IN**

Pos No.	Parts No	Parts Name	Qty	Unit	Technical Data	Serial No (Start)
1	81408000100	PIPE, STEEL	1	M	10X1.2T	
2	31644592100	JOINT, ROTARY	1			
3	80400160182	JOINT (WITH O-RING)	1			
4	36741360000	VALVE, REMOTE CONTROL	1			
5	81408000100	PIPE, STEEL	2	M	10X1.2T	
6	80302090101	FITTING	3		KCO10-020N	
7	91002801100	O-RING	4		1B P11	
8	37002510990	HOSE	1		L=310	
9	90201780800	NUT	4		M8	
10	90302040801	WASHER, SPRING	6		8	
12	80303130081	FITTING, ELBOW	3		KLO08-020E	
13	81408000081	PIPE, STEEL	2	M	8X1.2T	
14	81408000081	PIPE, STEEL	2	M	8X1.2T	
15	36062820000	CYLINDER, ACCELERATOR	1			
16	90101208070	BOLT	2		M8X70	
17	37000312580	SLEEVE	2			
18	90101208035	BOLT	1		M8X35	
19	37005700130	CLAMP	1		10X2	
20	90303071001	WASHER, PLAIN	1		10	
21	80302090081	FITTING	1		KCO80-020N	
22	31490000210	PLATE, CAUTION	1			
23	90280200800	NUT, FLANGE	1		M8	
24	90303070801	WASHER, PLAIN	1		8	
25	80481004042	JOINT	1			
26	91002801800	O-RING	1		1B P18	
41	91002801800	O-RING	1		1B P18	
51	91002801100	O-RING	3		1B P11	

TM-ZR360 41102310070A FRAME/SL,MANUAL,HOOK-IN  
PB2000050-00 POWER TAKE OFF & PUMP

- 1
- POWER TAKE OFF ASSY
  - PTO ASSYの選定

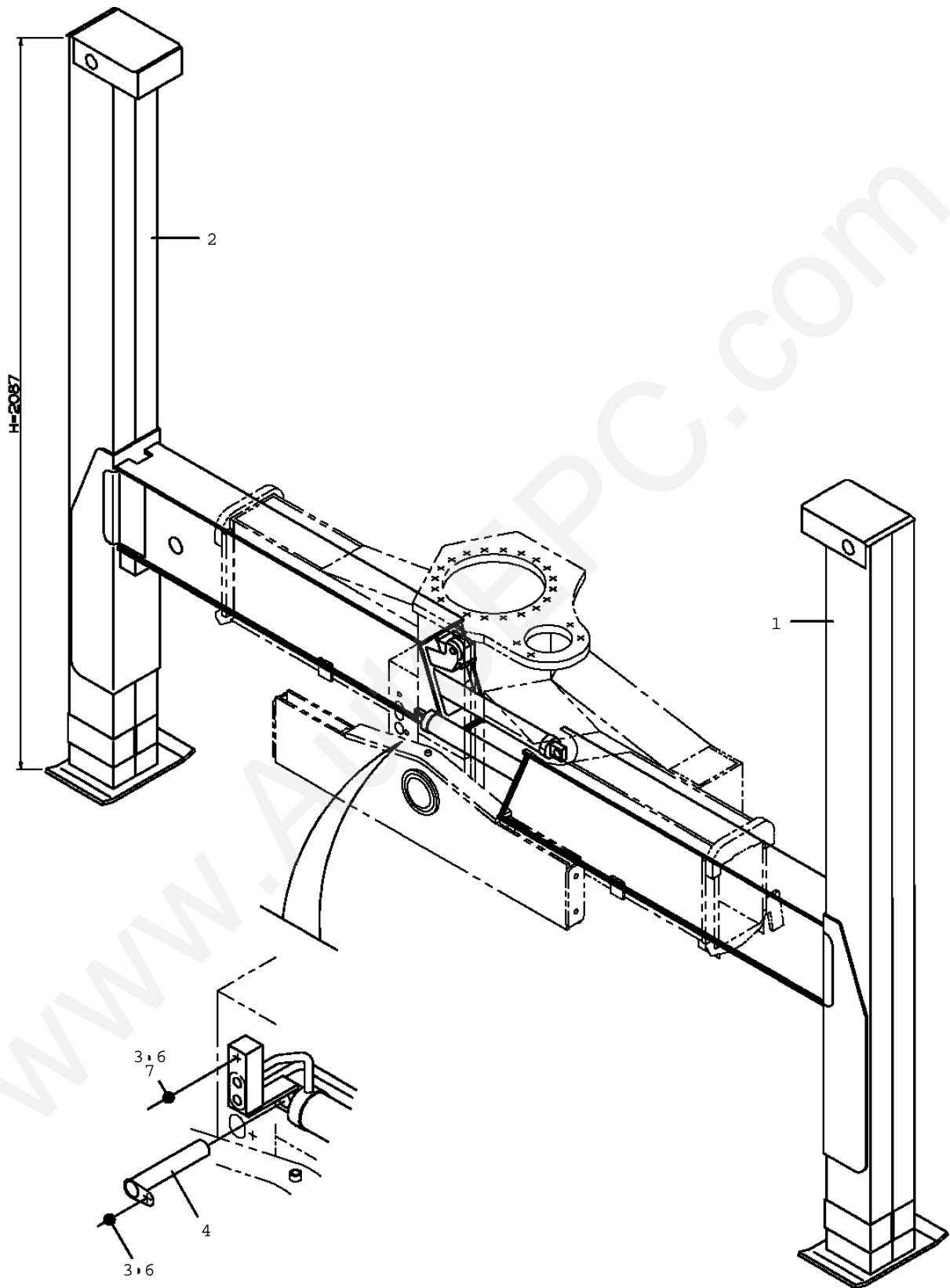
- 2
- PUMP ASSY
  - ポンプASSYの選定

**TM-ZR360 41102310070A FRAME/SL,MANUAL,HOOK-IN**

Pos No.	Parts No	Parts Name	Qty	Unit	Technical Data	Serial
1	(***** )	POWER TAKE OFF ASSY (SELECTION)	1			
2	(***** )	PUMP ASSY (SELECTION)	1			

www.AutoEPC.com

TM-ZR360 41102310070A FRAME/SL, MANUAL, HOOK-IN  
PC1011127-00 OUTRIGGER (FOR 6TON)



LEFT-O/R SIDE IS ALSO THE SAME.

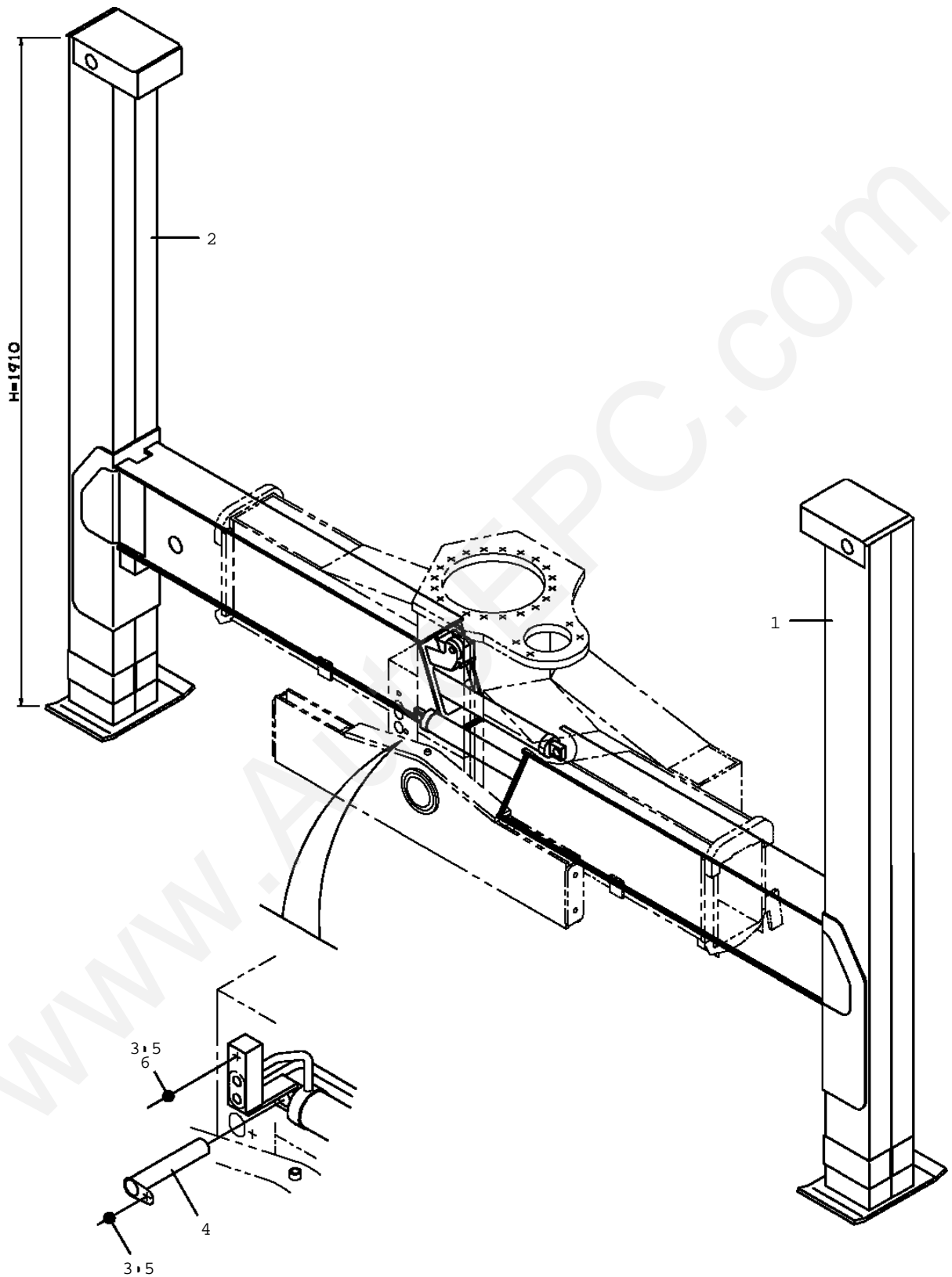
**TM-ZR360 41102310070A FRAME/SL, MANUAL, HOOK-IN**

Pos No.	Parts No	Parts Name	Qty	Unit	Technical Data	Serial No (Start)
1	(***** )	OUTRIGGER (RIGHT)	1			
2	(***** )	OUTRIGGER (LEFT)	1			
3	90101210020	BOLT	4		M10X20	
4	37000108200	PIN	2			
6	90302041001	WASHER, SPRING	4		10	
7	90303071001	WASHER, PLAIN	2		10	

www.AutoEPC.com



TM-ZR360 41102310070A FRAME/SL, MANUAL, HOOK-IN  
PC1011128-00 OUTRIGGER (FOR 4TON)



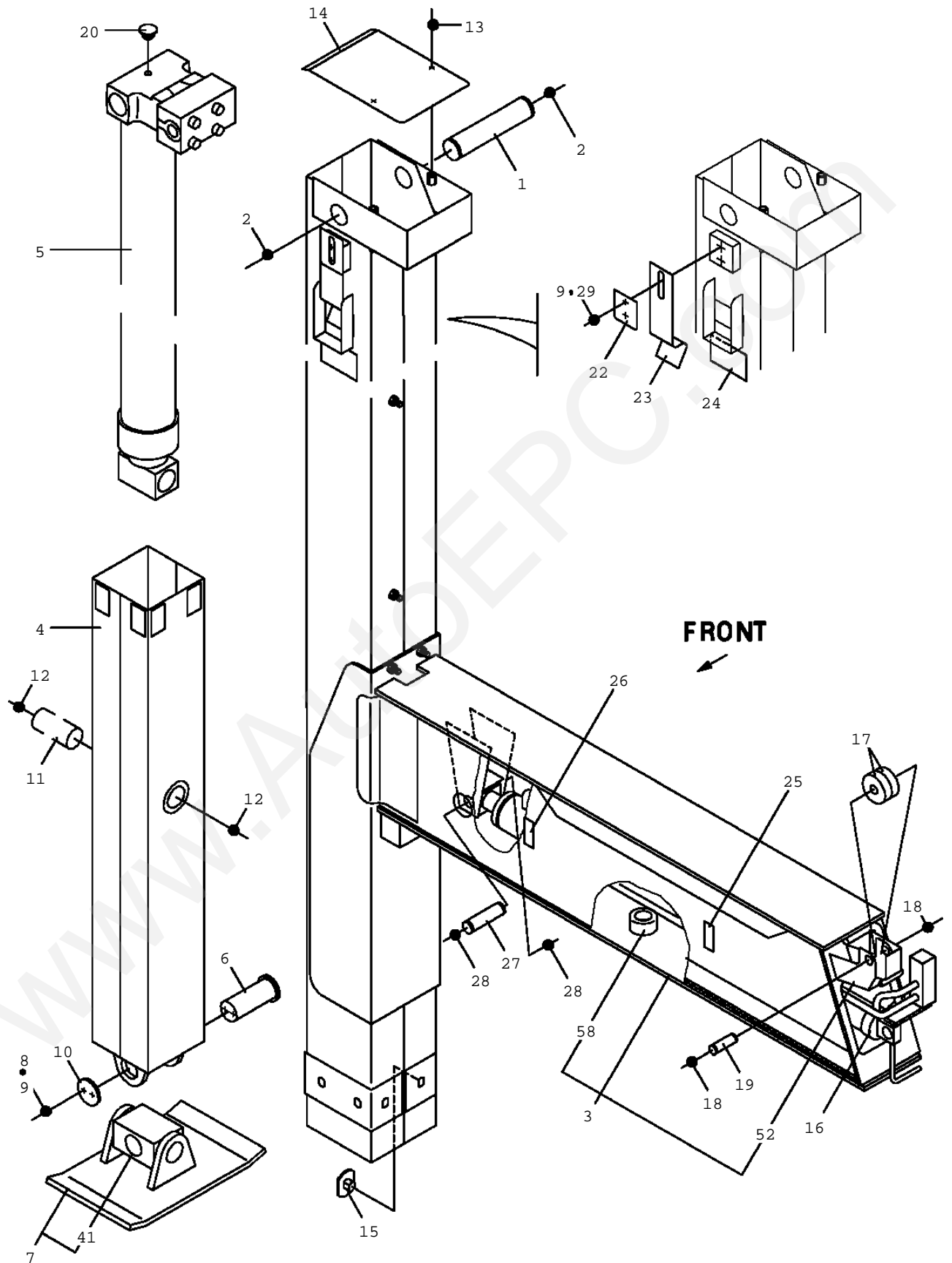
LEFT-O/R SIDE IS ALSO THE SAME.

**TM-ZR360 41102310070A FRAME/SL, MANUAL, HOOK-IN**

Pos No.	Parts No	Parts Name	Qty	Unit	Technical Data	Serial No (Start)
1	(*****)	OUTRIGGER (RIGHT)	1			
2	(*****)	OUTRIGGER (LEFT)	1			
3	90101210020	BOLT	4		M10X20	
4	37000108200	PIN	2			
5	90302041001	WASHER, SPRING	4		10	
6	90303071001	WASHER, PLAIN	2		10	

www.AutoEPC.com

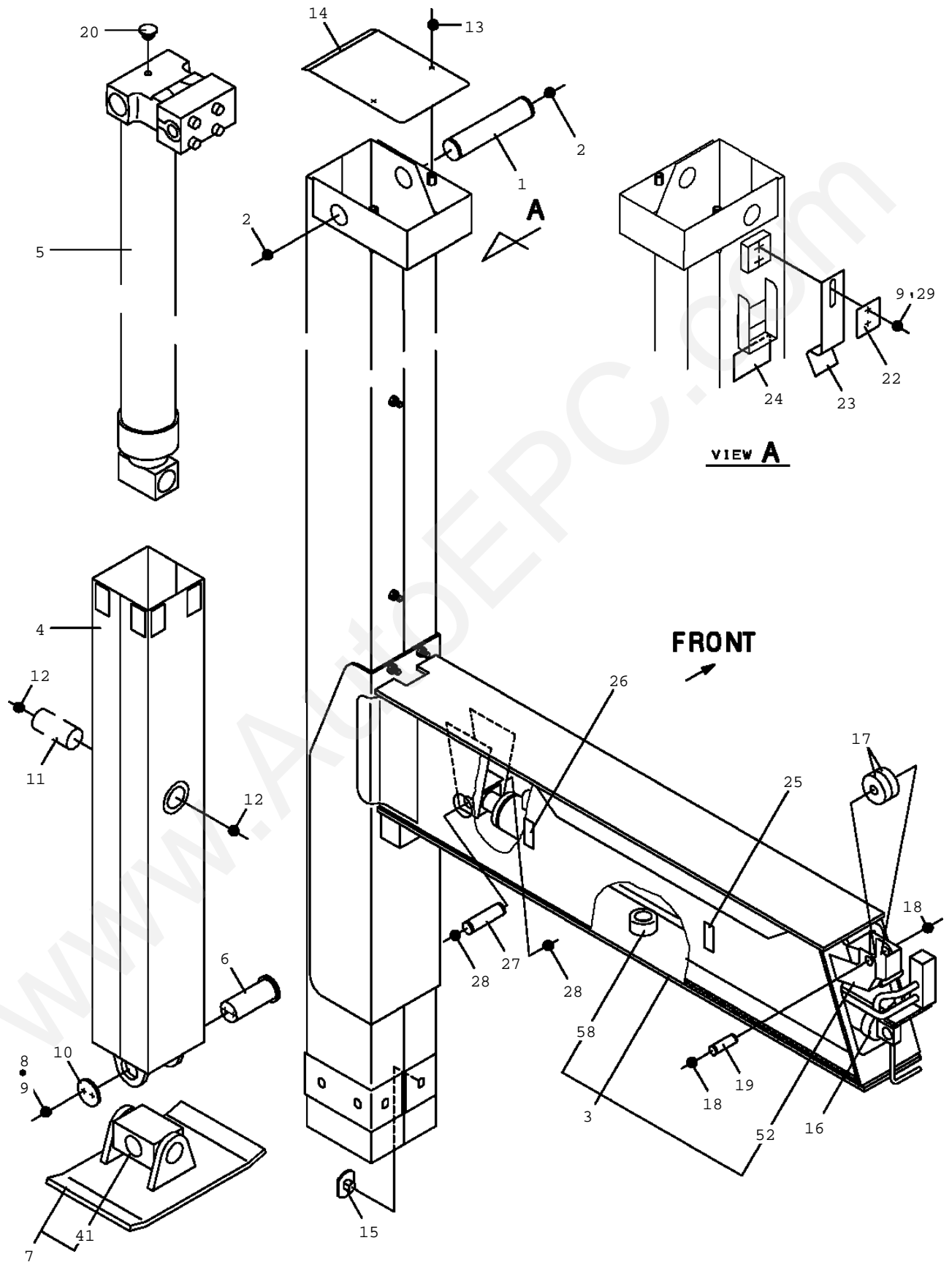
TM-ZR360 41102310070A FRAME/SL, MANUAL, HOOK-IN  
PC1011129-00 OUTRIGGER (RIGHT)



**TM-ZR360 41102310070A FRAME/SL,MANUAL,HOOK-IN**

Pos No.	Parts No	Parts Name	Qty	Unit	Technical Data
1	37000161720	PIN	1		
2	80601110350	RING,RITAINING	2		S35
3	31612581002	CASE, OUTER	1		
4	31611922001	CASE, INNER	1		
5	(*****)	CYLINDER,JACK (MIN=1440)	1		
6	37000104130	PIN	1		
7	31610055000	FLOAT ASSY	1		
8	90191210020	BOLT	2		M10X20
9	90302041001	WASHER, SPRING	4		10
10	31200030530	PLATE	1		
11	37000161730	PIN	1		
12	80602110350	RING,RITAINING	2		R35
13	90186208014	BOLT, FLANGE	2		M8X14
14	31612600500	COVER	1		
15	31201770100	PLATE, SLIDE	8		T=3.0
16	36041970000	CYLINDER,EXTENSION (WELDED STRUCTURE)	1		
17	31620582020	BEARING,BALL (KOYO)	2		
18	80601110150	RING,RITAINING	2		15
19	37000150360	PIN	1		
20	82401800100	PLUG (FOR M10)	1		
22	50822014000	PLATE	1		
23	37001400200	SPRING	1		
24	37002217610	PLATE,CAUTION (CAUTION)	1		
25	31611300500	PLATE,NAME (WHITE)	2		
26	31611300600	PLATE,NAME (YELLOW)	2		
27	37000135640	PIN	1		
28	80601110200	RING,RITAINING	2		S20
29	90171110020	BOLT	2		M10X20
41	31610055010	TRUNNION	1		
52	31612599510	SUPPORT	1		
58	31621692500	SUPPORT	1		

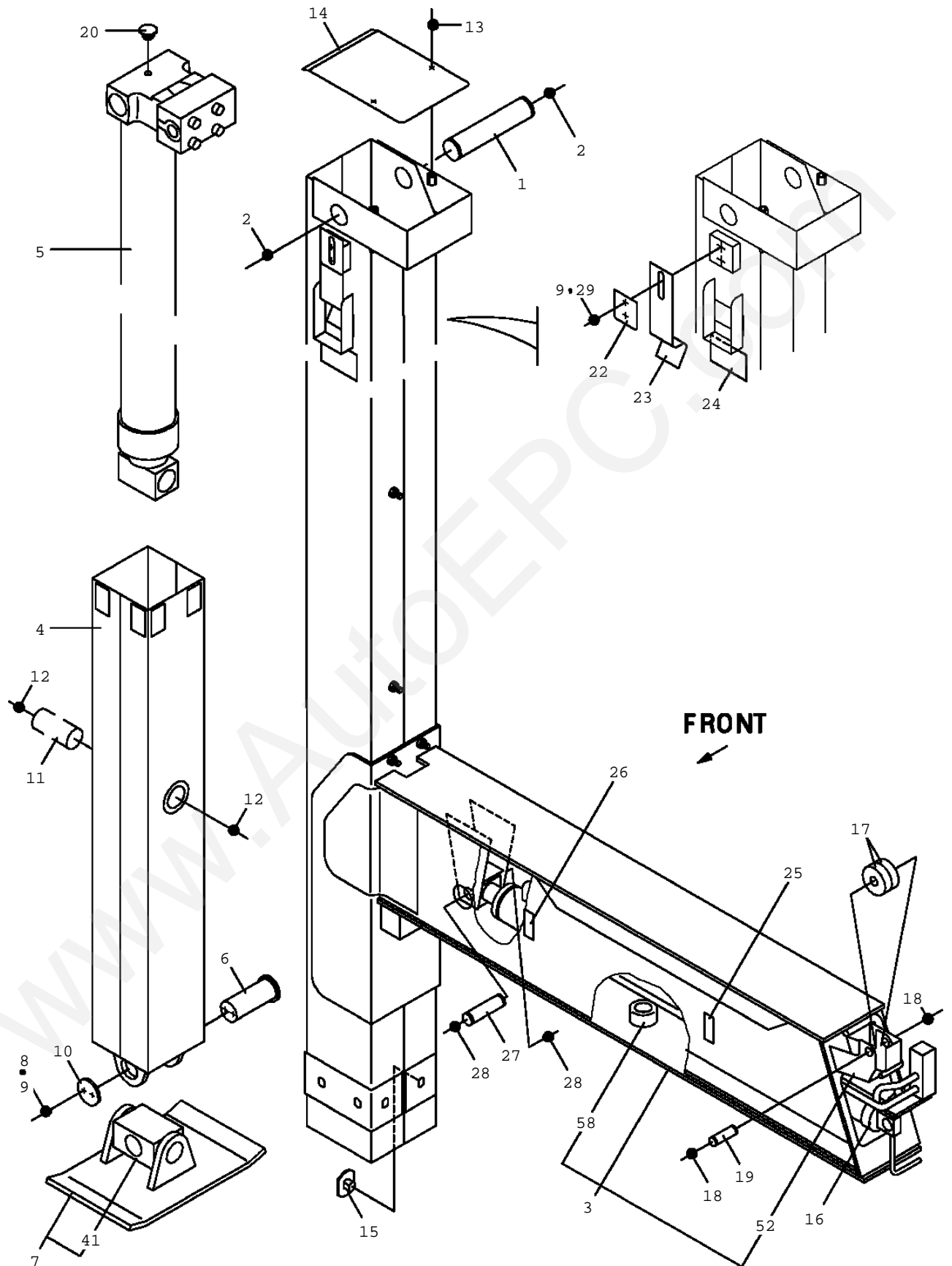
TM-ZR360 41102310070A FRAME/SL, MANUAL, HOOK-IN  
 PC1011130-00 OUTRIGGER (LEFT)



**TM-ZR360 41102310070A FRAME/SL,MANUAL,HOOK-IN**

Pos No.	Parts No	Parts Name	Qty	Unit	Technical Data
1	37000161720	PIN	1		
2	80601110350	RING,RITAINING	2		S35
3	31612582002	CASE, OUTER	1		
4	31611922001	CASE, INNER	1		
5	(*****)	CYLINDER,JACK (MIN=1440)	1		
6	37000104130	PIN	1		
7	31610055000	FLOAT ASSY	1		
8	90191210020	BOLT	2		M10X20
9	90302041001	WASHER, SPRING	4		10
10	31200030530	PLATE	1		
11	37000161730	PIN	1		
12	80602110350	RING,RITAINING	2		R35
13	90186208014	BOLT, FLANGE	2		M8X14
14	31612600500	COVER	1		
15	31201770100	PLATE, SLIDE	8		T=3.0
16	36041970000	CYLINDER,EXTENSION (WELDED STRUCTURE)	1		
17	31620582020	BEARING,BALL (KOYO)	2		
18	80601110150	RING,RITAINING	2		15
19	37000150360	PIN	1		
20	82401800100	PLUG (FOR M10)	1		
22	50822014000	PLATE	1		
23	37001400200	SPRING	1		
24	37002217610	PLATE,CAUTION (CAUTION)	1		
25	31611300500	PLATE,NAME (WHITE)	2		
26	31611300600	PLATE,NAME (YELLOW)	2		
27	37000135640	PIN	1		
28	80601110200	RING,RITAINING	2		S20
29	90171110020	BOLT	2		M10X20
41	31610055010	TRUNNION	1		
52	31612599510	SUPPORT	1		
58	31621692500	SUPPORT	1		

TM-ZR360 41102310070A FRAME/SL, MANUAL, HOOK-IN  
PC1011131-00 OUTRIGGER (RIGHT)

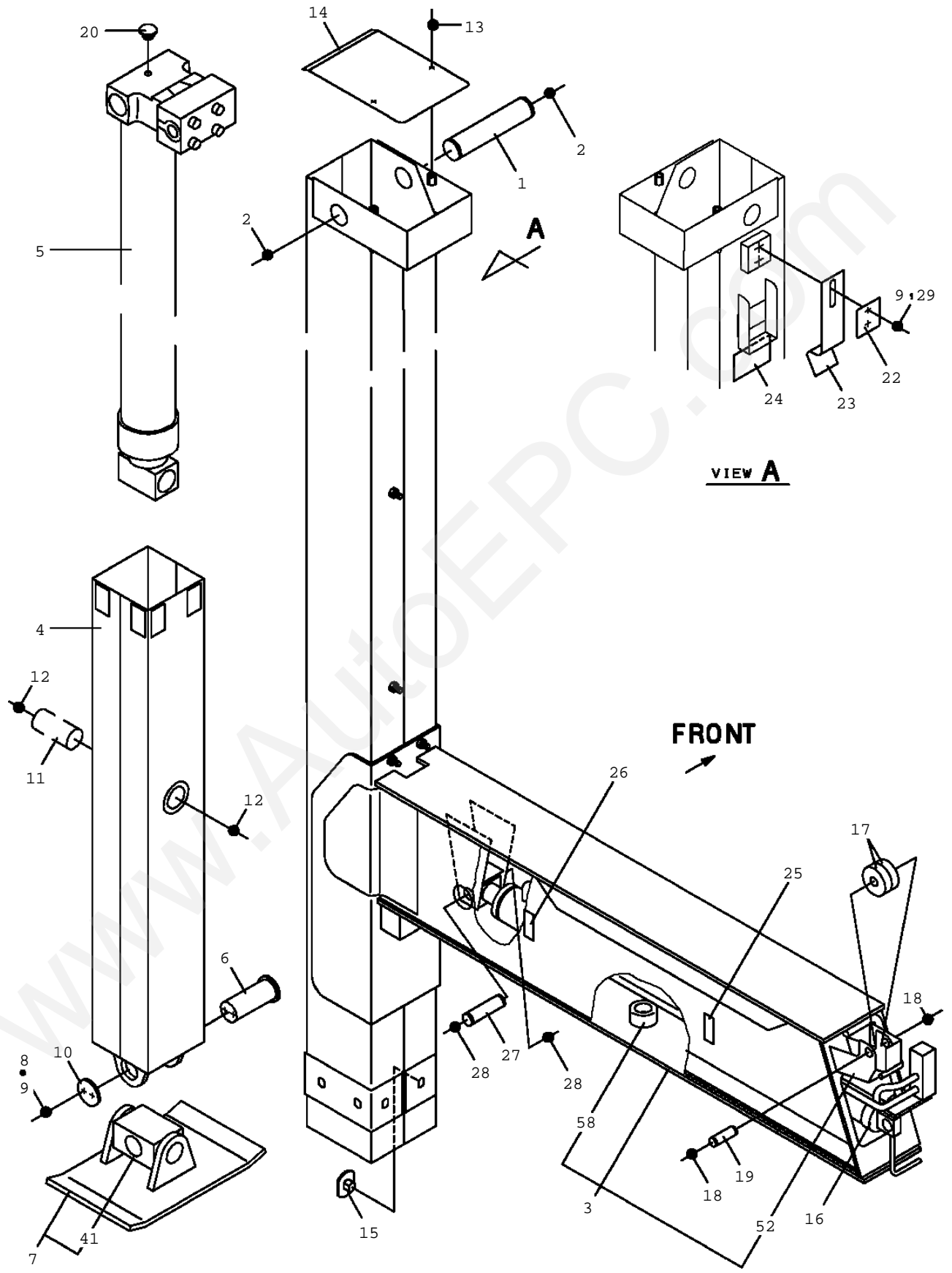


**TM-ZR360 41102310070A FRAME/SL,MANUAL,HOOK-IN**

Pos No.	Parts No	Parts Name	Qty	Unit	Technical Data
1	37000161720	PIN	1		
2	80601110350	RING,RITAINING	2		S35
3	31612591002	CASE, OUTER	1		
4	31611302001	CASE, INNER	1		
5	(*****)	CYLINDER,JACK (MIN=1440)	1		
6	37000104130	PIN	1		
7	31610055000	FLOAT ASSY	1		
8	90191210020	BOLT	2		M10X20
9	90302041001	WASHER, SPRING	4		10
10	31200030530	PLATE	1		
11	37000161730	PIN	1		
12	80602110350	RING,RITAINING	2		R35
13	90186208014	BOLT, FLANGE	2		M8X14
14	31612600500	COVER	1		
15	31201770100	PLATE, SLIDE	8		T=3.0
16	36041970000	CYLINDER,EXTENSION (WELDED STRUCTURE)	1		
17	31620582020	BEARING,BALL (KOYO)	2		
18	80601110150	RING,RITAINING	2		15
19	37000150360	PIN	1		
20	82401800100	PLUG (FOR M10)	1		
22	50822014000	PLATE	1		
23	37001400200	SPRING	1		
24	37002217610	PLATE,CAUTION (CAUTION)	1		
25	31611300500	PLATE,NAME (WHITE)	2		
26	31611300600	PLATE,NAME (YELLOW)	2		
27	37000135640	PIN	1		
28	80601110200	RING,RITAINING	2		S20
29	90171110020	BOLT	2		M10X20
41	31610055010	TRUNNION	1		
52	31612599510	SUPPORT	1		
58	31621692500	SUPPORT	1		



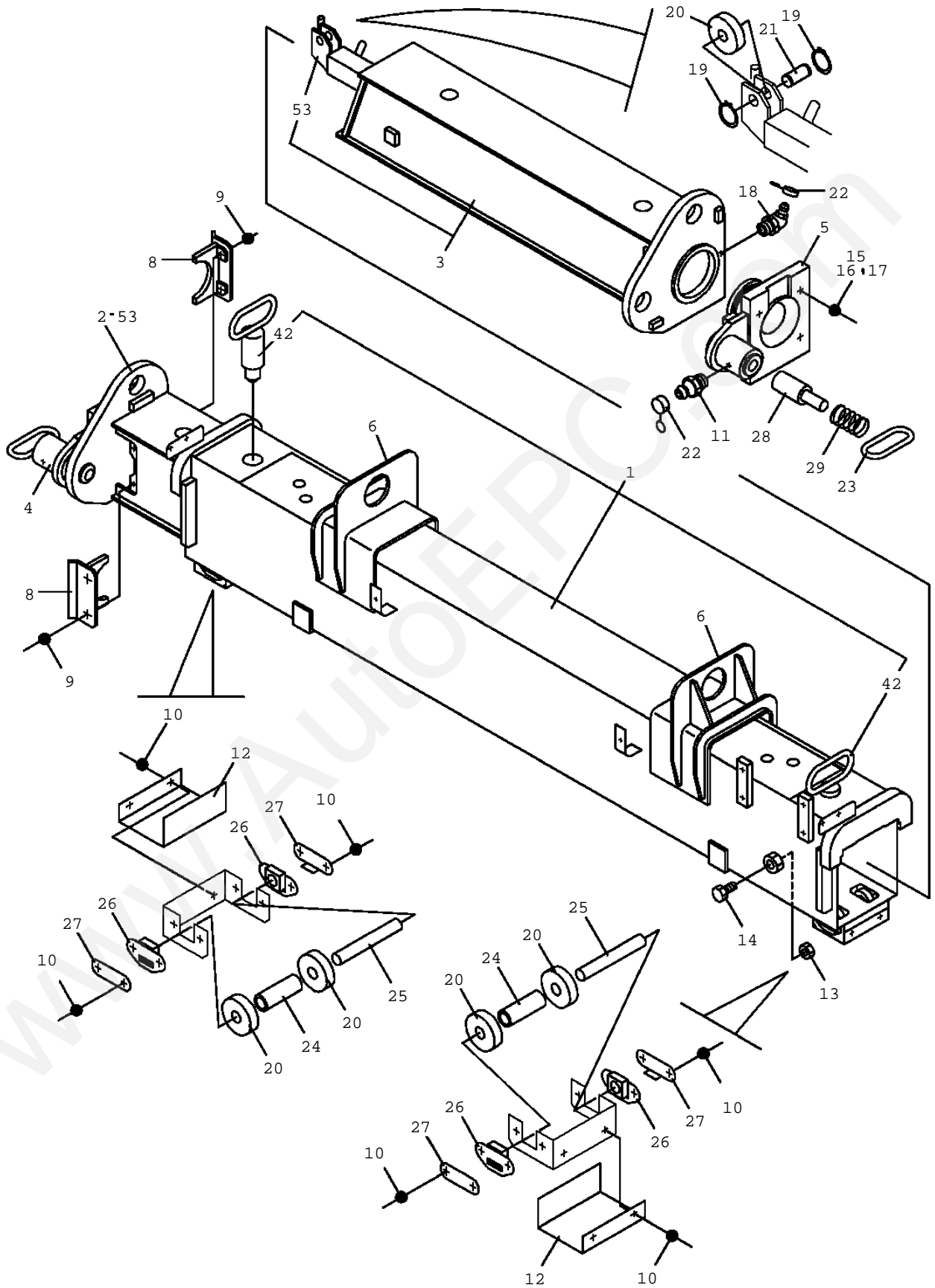
TM-ZR360 41102310070A FRAME/SL, MANUAL, HOOK-IN  
PC1011132-00 OUTRIGGER (LEFT)



**TM-ZR360 41102310070A FRAME/SL,MANUAL,HOOK-IN**

Pos No.	Parts No	Parts Name	Qty	Unit	Technical Data
1	37000161720	PIN	1		
2	80601110350	RING,RITAINING	2		S35
3	31612592002	CASE, OUTER	1		
4	31611302001	CASE, INNER	1		
5	(*****)	CYLINDER,JACK (MIN=1440)	1		
6	37000104130	PIN	1		
7	31610055000	FLOAT ASSY	1		
8	90191210020	BOLT	2		M10X20
9	90302041001	WASHER, SPRING	4		10
10	31200030530	PLATE	1		
11	37000161730	PIN	1		
12	80602110350	RING,RITAINING	2		R35
13	90186208014	BOLT, FLANGE	2		M8X14
14	31612600500	COVER	1		
15	31201770100	PLATE, SLIDE	8		T=3.0
16	36041970000	CYLINDER,EXTENSION (WELDED STRUCTURE)	1		
17	31620582020	BEARING,BALL (KOYO)	2		
18	80601110150	RING,RITAINING	2		15
19	37000150360	PIN	1		
20	82401800100	PLUG (FOR M10)	1		
22	50822014000	PLATE	1		
23	37001400200	SPRING	1		
24	37002217610	PLATE,CAUTION (CAUTION)	1		
25	31611300500	PLATE,NAME (WHITE)	2		
26	31611300600	PLATE,NAME (YELLOW)	2		
27	37000135640	PIN	1		
28	80601110200	RING,RITAINING	2		S20
29	90171110020	BOLT	2		M10X20
41	31610055010	TRUNNION	1		
52	31612599510	SUPPORT	1		
58	31621692500	SUPPORT	1		

TM-ZR360 41102310070A FRAME/SL, MANUAL, HOOK-IN  
PC1020003-00 OUTRIGGER, REAR (FRAME)



**TM-ZR360 41102310070A FRAME/SL, MANUAL, HOOK-IN**

Pos No.	Parts No	Parts Name	Qty	Unit	Technical Data	Serial No (Start)
1	31623671001	CASE, OUTER	1			
2	31623672001	CASE, INNER	1			
3	31623673001	CASE, INNER	1			
4	31622004000	SUPPORT (LEFT)	1			
5	31622005000	SUPPORT (RIGHT)	1			
6	31621510100	SUPPORT	2			
8	31622000100	SUPPORT	4			
9	90186208014	BOLT, FLANGE	8		M8X14	
10	90186208010	BOLT, FLANGE	12		M8X10	
11	82456101000	NIPPLE, GREASE	2		A-PT1/8	
12	31622000200	COVER	2			
13	90203201600	NUT	2		M16	
14	90101216045	BOLT	2		M16X45	
15	90142714025	BOLT, STUD	8			
16	90302041401	WASHER, SPRING	8		14	
17	90201481400	NUT	8		M14	
18	82458102000	NIPPLE, GREASE	2		B-PT1/8	
19	80601110150	RING, RITAINING	4		15	
20	31620582020	BEARING, BALL (KOYO)	6			
21	37000134180	PIN	2			
22	82400000459	CAP	4			
23	37003100030	GRIP	2			
24	37000309980	SPACER	2		L=60	
25	37000161010	PIN	2			
26	31621962100	SUPPORT	4			
27	31621962200	PLATE	12		T=0.5	
28	31621340200	PIN	2			
29	37001200720	SPRING	2			
42	31620580100	PIN ASSY	2			
53	31623679510	SUPPORT ASSY	2			

TM-ZR360 41102310070A FRAME/SL, MANUAL, HOOK-IN  
PC1020046-01 OUTRIGGER, REAR (ROTARY, POWER PACKAGE)

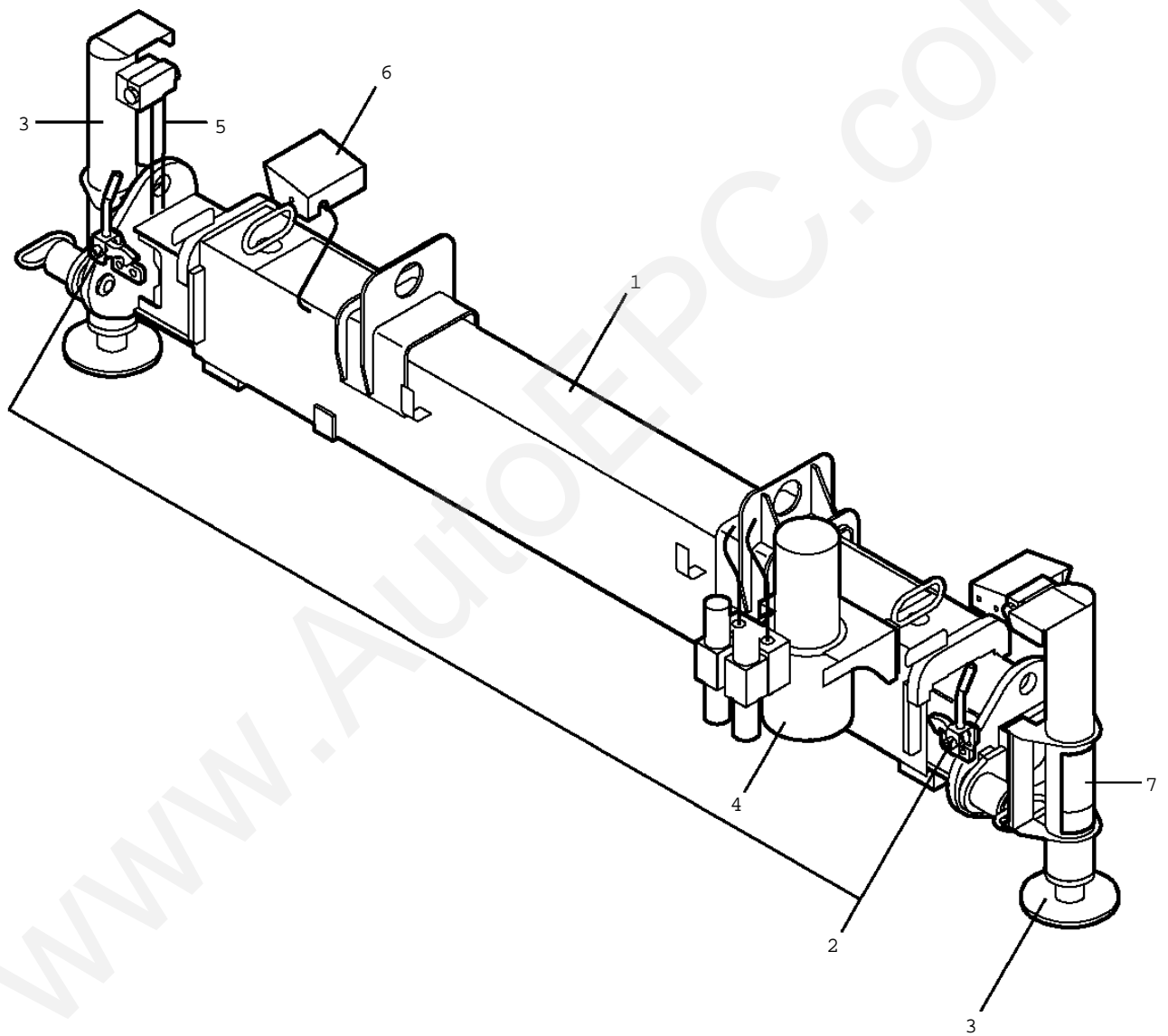
指示番号 KEY NO.	アウトリカ <sup>o</sup> , リヤ (カイトンシキ, ハ <sup>o</sup> ワーハ <sup>o</sup> ツケ-ジ <sup>o</sup> ) OUTRIGGER, REAR (ROTARY, POWER PACKAGE)
2	ハ <sup>o</sup> イビ <sup>o</sup> ンク <sup>o</sup> , リヤ ジ <sup>o</sup> ヤツキ (1) PIPING, REAR JACK (1)
3	ハイセンASSY ELEC. ASSY
4	フ <sup>o</sup> レートASSY, ネ-ム PLATE ASSY, NAME
11	アウトリカ <sup>o</sup> , リヤ OUTRIGGER, REAR
12	シリンダ <sup>o</sup> , ジ <sup>o</sup> ヤツキ CYLINDER, JACK
13	ハ <sup>o</sup> イビ <sup>o</sup> ンク <sup>o</sup> , リヤ ジ <sup>o</sup> ヤツキ (2) PIPING, REAR JACK (2)

**TM-ZR360 41102310070A FRAME/SL,MANUAL,HOOK-IN**

Pos No.	Parts No	Parts Name	Qty	Unit	Technical Da
2	(***** )	PIPING,REAR JACK (ROTARY 1,WITH POWER/S)	1		
3	(***** )	ELEC.ASSY (R/O,ROTARY,POWER SUPPLY)	1		
4	(***** )	PLATE ASSY,NAME	1		
11	(***** )	OUTRIGGER,REAR (FRAME)	1		
12	(***** )	CYLINDER,JACK (REAR OUTRIGGER)	2		
13	(***** )	PIPING,REAR JACK (2,ROTARY)	1		

www.AutoEPC.com

TM-ZR360 41102310070A FRAME/SL, MANUAL, HOOK-IN  
PC1020094-00 OUTRIGGER, REAR (ROTARY/POWER PACKAGE: WITH LOCK



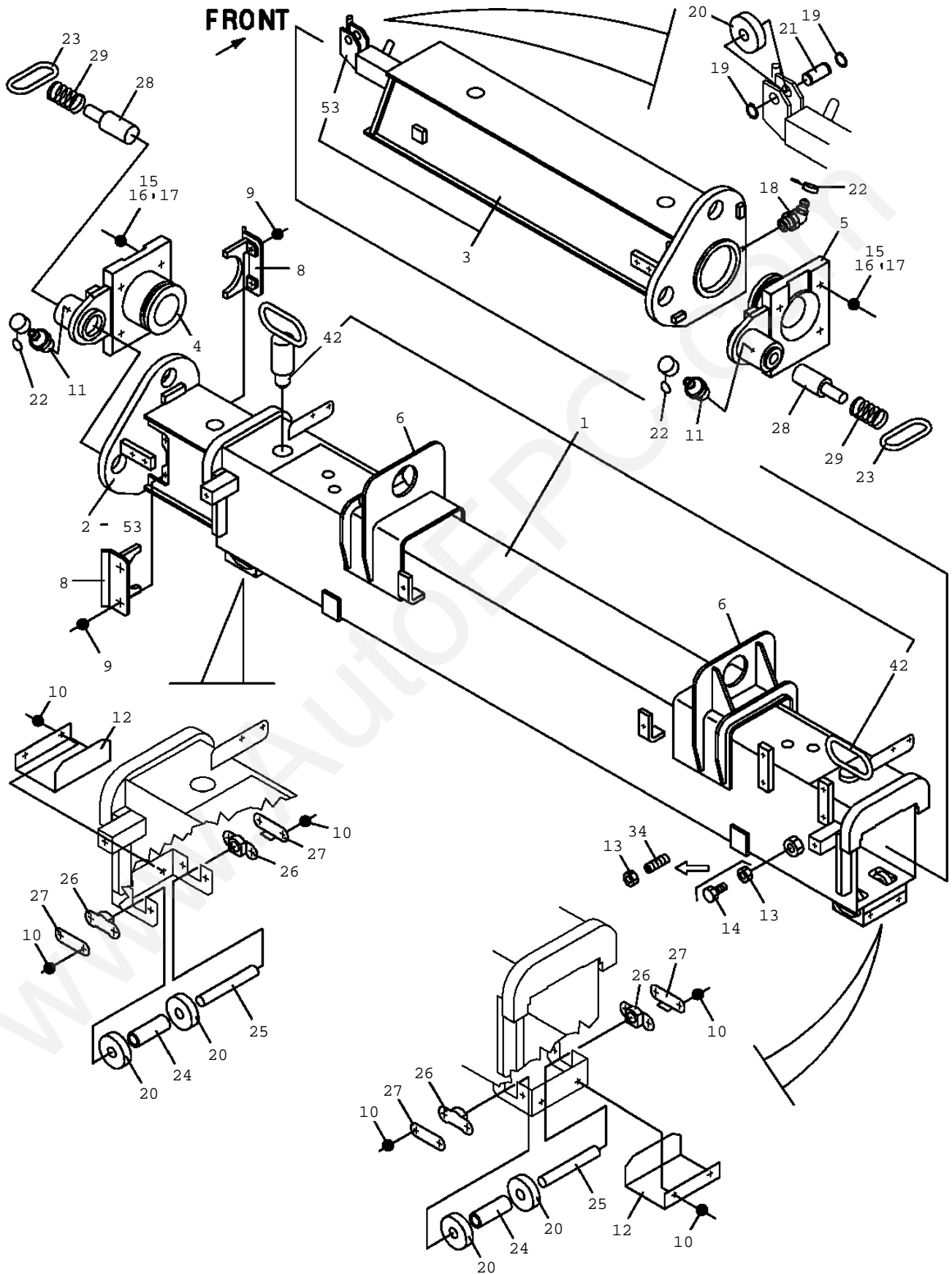
**TM-ZR360 41102310070A FRAME/SL,MANUAL,HOOK-IN**

Pos No.	Parts No	Parts Name	Qty	Unit	Technical Data	Serial
1	(***** )	OUTRIGGER,REAR (FRAME)	1			
2	(***** )	LOCK ASSY	1			
3	(***** )	CYLINDER,JACK (REAR OUTRIGGER)	2			
4	(***** )	PIPING,REAR JACK (1)	1			
5	(***** )	PIPING,REAR JACK (2,ROTARY)	1			
6	(***** )	ELEC.ASSY	1			
7	(***** )	PLATE ASSY,NAME	1			

www.AutoEPC.com



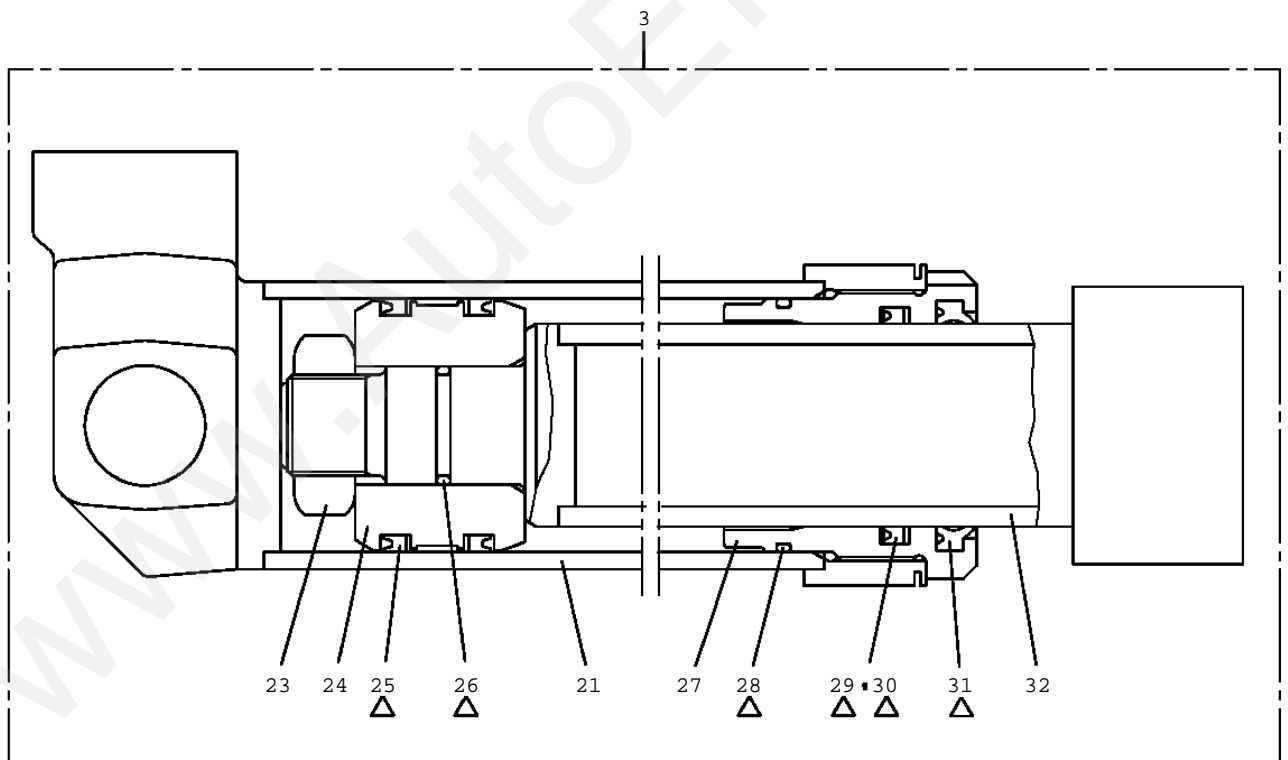
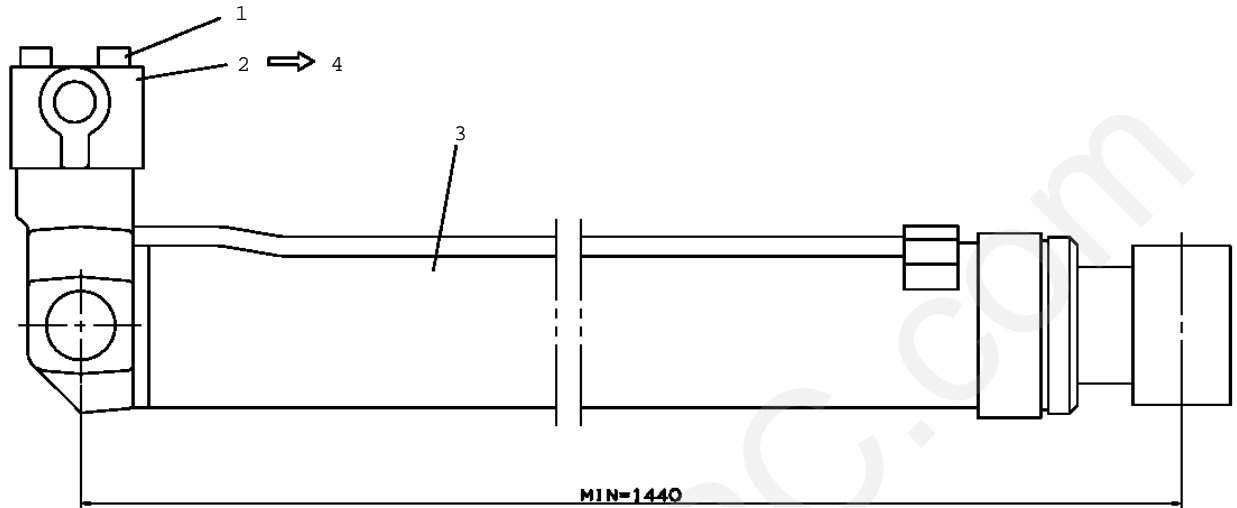
TM-ZR360 41102310070A FRAME/SL, MANUAL, HOOK-IN  
PC1020095-01 OUTRIGGER, REAR (FRAME)



**TM-ZR360 41102310070A FRAME/SL, MANUAL, HOOK-IN**

Pos No.	Parts No	Parts Name	Qty	Unit	Technical Data	Serial No (Start)
1	31624981000	CASE, OUTER	1			
2	31624982000	CASE, INNER	1			
3	31624983000	CASE, INNER	1			
4	31622004000	SUPPORT (LEFT)	1			
5	31622005000	SUPPORT (RIGHT)	1			
6	31621510100	SUPPORT	2			
8	31622000100	SUPPORT	4			
9	90186208014	BOLT, FLANGE	8		M8X14	
10	90186208010	BOLT, FLANGE	12		M8X10	
11	82456101000	NIPPLE, GREASE	2		A-PT1/8	
12	31622000200	COVER	2			
13	90203201600	NUT	2		M16	
15	90142714025	BOLT, STUD	8			
16	90302041401	WASHER, SPRING	8		14	
17	90201481400	NUT	8		M14	
18	82458102000	NIPPLE, GREASE	2		B-PT1/8	
19	80601110150	RING, RITAINING	4		15	
20	31620582020	BEARING, BALL (KOYO)	6			
21	37000134180	PIN	2			
22	82400000459	CAP	4			
23	37003100030	GRIP	2			
24	37000309980	SPACER	2		L=60	
25	37000161010	PIN	2			
26	31621962100	SUPPORT	4			
27	31621962200	PLATE	12		T=0.5	
28	31621340200	PIN	2			
29	37001200720	SPRING	2			
34	90720716450	SCREW, SET	2		M16X45	
42	31620580100	PIN ASSY	2			
53	31623679510	SUPPORT ASSY	2			

TM-ZR360 41102310070A FRAME/SL, MANUAL, HOOK-IN  
PC1030214-03 CYLINDER, JACK (MIN=1440)



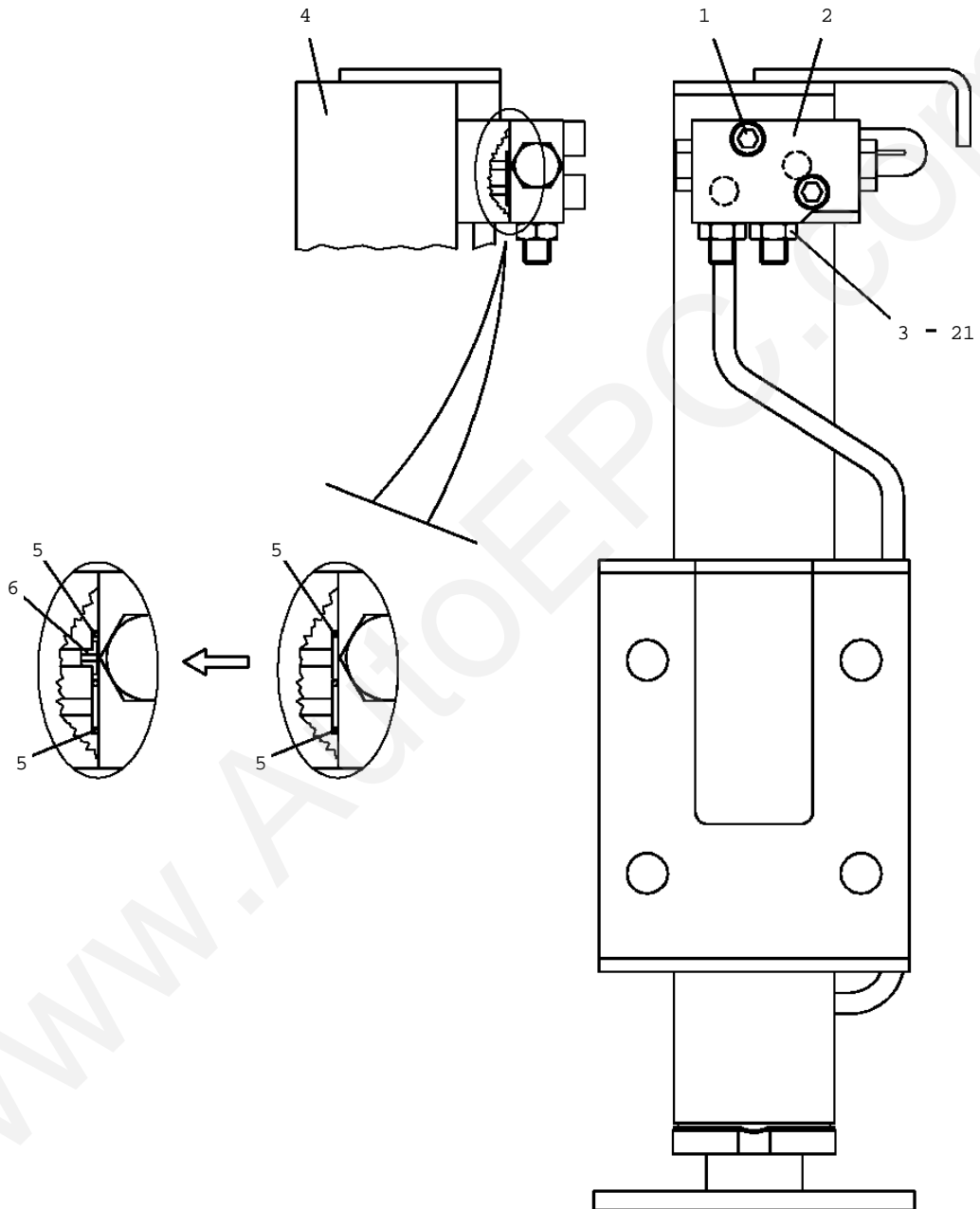
Δ:PACKING SET KEY NO. 40 (KEY NO.25,26,28,29,30,31)

**TM-ZR360 41102310070A FRAME/SL,MANUAL,HOOK-IN**

Pos No.	Parts No	Parts Name	Qty	Unit	Technical Data	Serial N
1	90172110065	BOLT,HEXAGON SOCKET	4		M10X65	
3	36034070000	CYLINDER,JACK	1			
4	36624690000	VALVE,PILOT CHECK	1			
21	36034071000	CYLINDER	1			
23	90211203000	NUT	1		M30X3/2	
24	36032110300	PISTON	1			
25	91350207500	BEARING,PLAIN (WITH PACKINGX2)	1			
26	91002903000	O-RING	1		1B G30	
27	36033523000	COVER,ROD	1			
28	91002907000	O-RING	1		1B G70	
29	91694006000	PACKING	1			
30	91410206002	RING,BACKUP	1			
31	91660006001	SEAL,DUST	1			
32	36034072000	ROD	1			
40	36034079900	PACKING SET	1		60X75	

www.AutoEPC.com

TM-ZR360 41102310070A FRAME/SL, MANUAL, HOOK-IN  
PC1030301-02 CYLINDER, JACK (REAR OUTRIGGER)

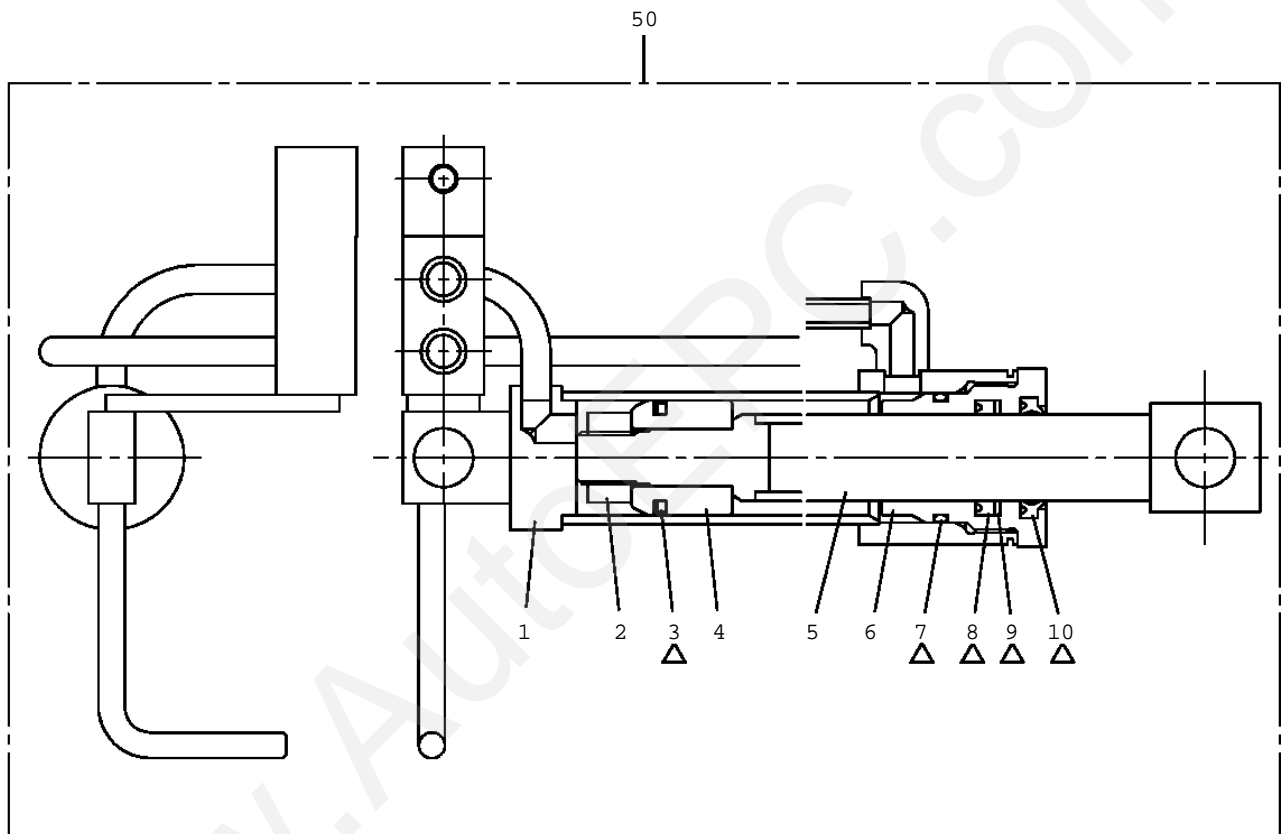


**TM-ZR360 41102310070A FRAME/SL, MANUAL, HOOK-IN**

Pos No.	Parts No	Parts Name	Qty	Unit	Technical Data	Serial No (Start)
1	90172110035	BOLT, HEXAGON SOCKET	2		M10X35	
2	36623930000	VALVE, PILOT CHECK	1			
3	80491002020	JOINT (WITH O-RING)	2			
4	36034730001	CYLINDER ASSY, JACK	1			
5	91002801000	O-RING	2		1B P10	
6	42610020510	CHOKE	1			
21	91002801100	O-RING	2		1B P11	

www.AutoEPC.com

TM-ZR360 41102310070A FRAME/SL, MANUAL, HOOK-IN  
PC1050119-01 CYLINDER, EXTENSION (WELDED STRUCTURE)



Δ:PACKING SET KEY NO. 30 (KEY NO.3,7,8,9,10)

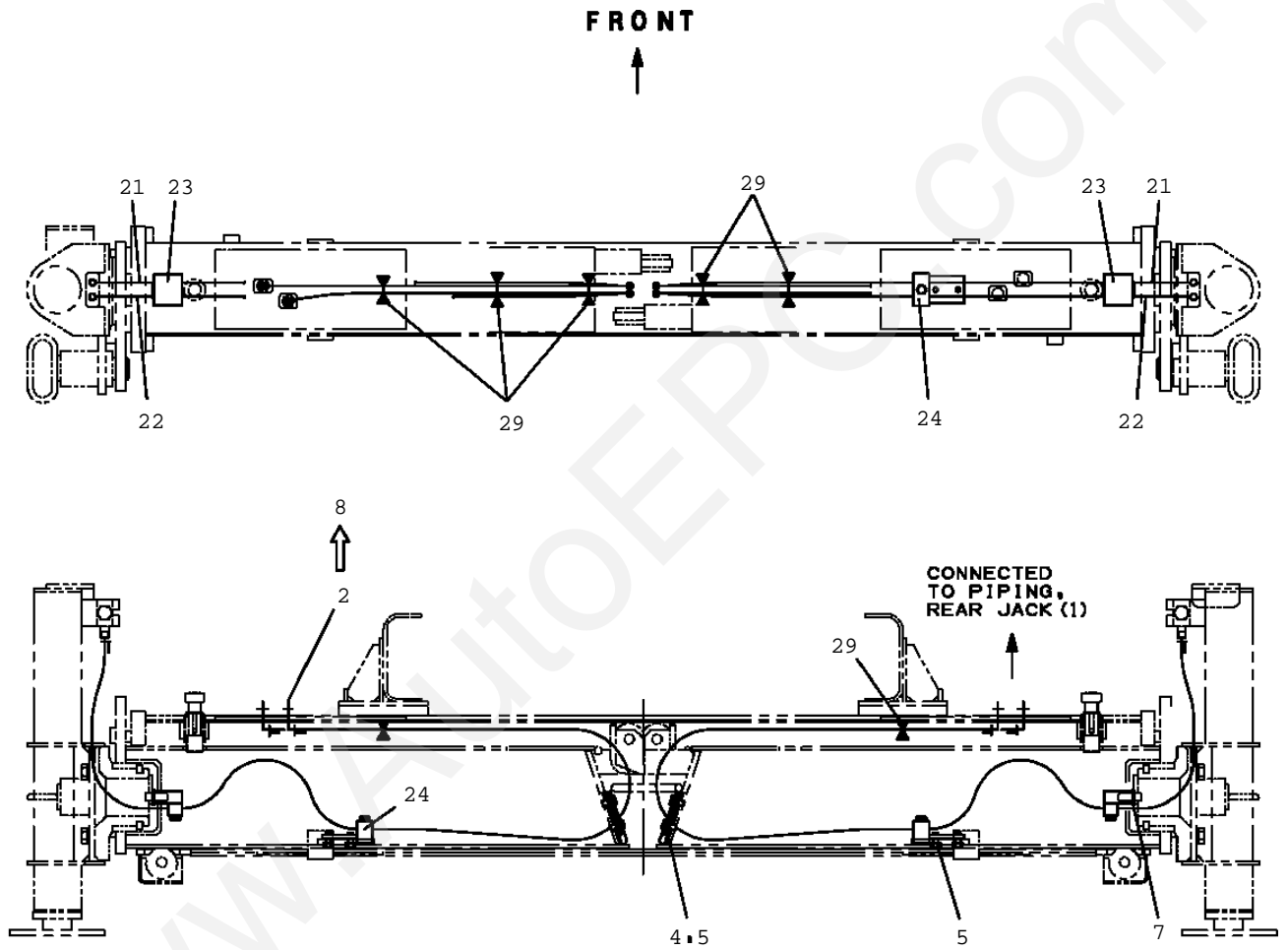
**TM-ZR360 41102310070A FRAME/SL,MANUAL,HOOK-IN**

Pos No.	Parts No	Parts Name	Qty	Unit	Technical Data	S
1	36041971000	CYLINDER	1			
2	90201201800	NUT	1		M18	
3	91100104000	SEAL,RING	1			
4	36041070400	PISTON	1			
5	36041972000	ROD	1			
6	36041541000	COVER,ROD	1			
7	91002803900	O-RING	1		1B P39	
8	91694003000	PACKING	1			
9	91411203001	RING,BACKUP	1			
10	91660003001	SEAL,DUST	1			
30	36041699900	PACKING SET	1		30X40	
50	36041970000	CYLINDER,EXTENSION (WELDED STRUCTURE)	1			

www.AutoEPC.com



TM-ZR360 41102310070A FRAME/SL, MANUAL, HOOK-IN  
PC1230021-03 PIPING, REAR JACK (2, ROTARY)

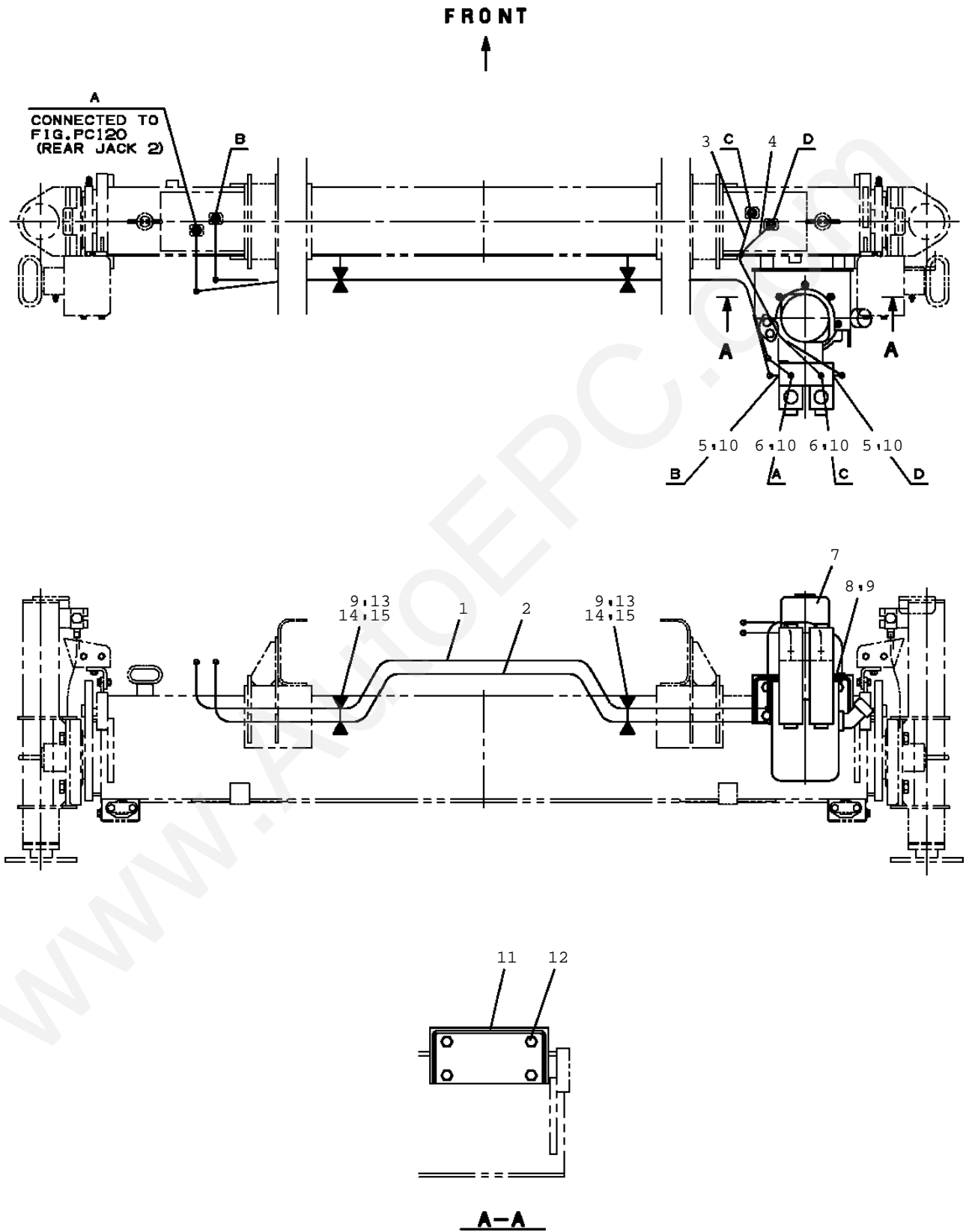


**TM-ZR360 41102310070A FRAME/SL, MANUAL, HOOK-IN**

Pos No.	Parts No	Parts Name	Qty	Unit	Technical Data	Serial No (Start)	Serial :
4	31642730100	SUPPORT	2				
5	90186208014	BOLT, FLANGE	12		M8X14		
7	90303071201	WASHER, PLAIN	2		12		
8	37000924770	JOINT	4				
21	37002417360	HOSE	2		L=1800		
22	37002450860	HOSE	2		L=1760		
23	31642730300	CLAMP ASSY	2				
24	31642730200	CLAMP ASSY	2				
29	91810130240	FASTENER	6				

www.AutoEPC.com

TM-ZR360 41102310070A FRAME/SL, MANUAL, HOOK-IN  
PC1230028-00 PIPING, REAR JACK (ROTARY 1, WITH POWER/S)

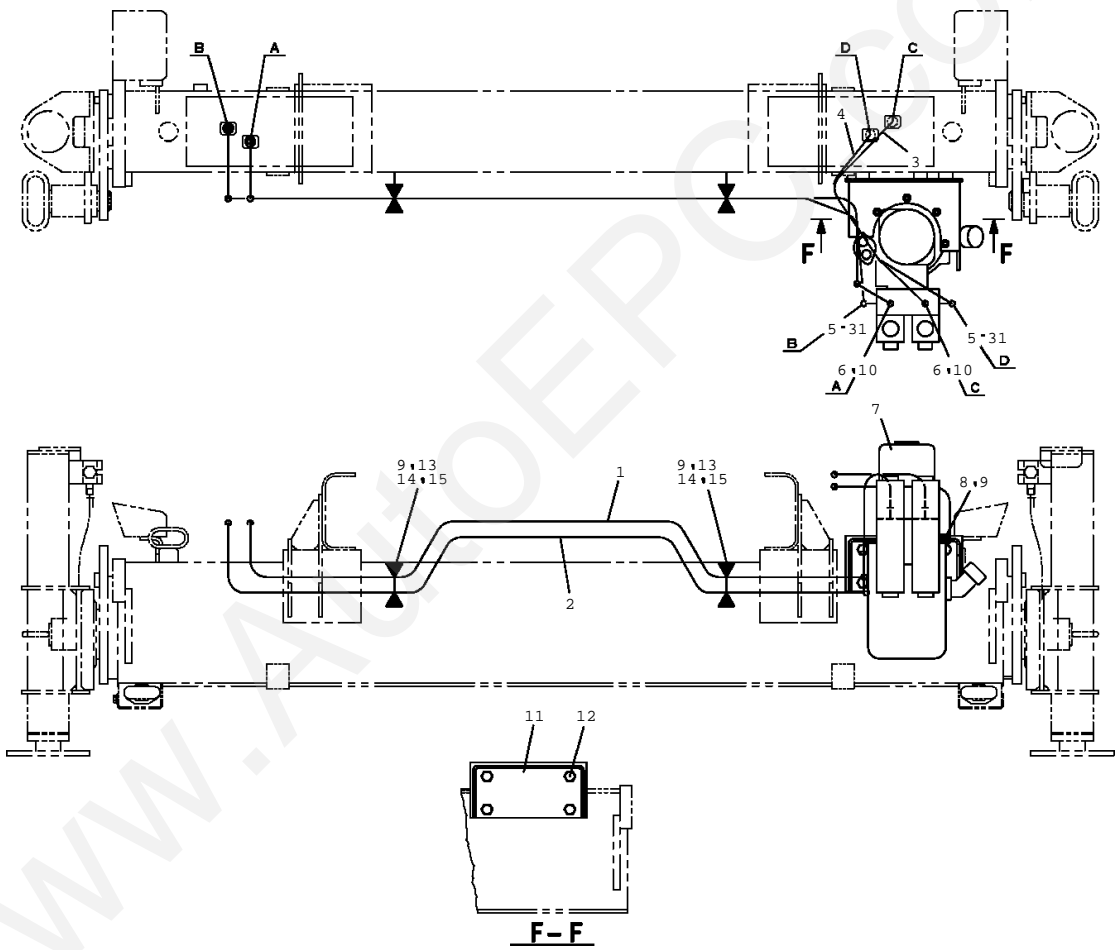


**TM-ZR360 41102310070A FRAME/SL, MANUAL, HOOK-IN**

Pos No.	Parts No	Parts Name	Qty	Unit	Technical Data	Serial No (Start)
1	31645360010	PIPE	1			
2	31645360020	PIPE	1			
3	31645360030	PIPE	1			
4	31645360040	PIPE	1			
5	80303210060	FITTING, ELBOW	2			
6	80302120060	FITTING	2		POA10PF1/4	
7	31611613101	POWER SUPPLY	1			
8	90172108018	BOLT, HEXAGON SOCKET	4		M8X18	
9	90302040801	WASHER, SPRING	6		8	
10	91002801100	O-RING	4		1B P11	
11	31645360100	SUPPORT	1			
12	90186210014	BOLT, FLANGE	4		M10X14	
13	37005700130	CLAMP	2		10X2	
14	90101208035	BOLT	2		M8X35	
15	90303070801	WASHER, PLAIN	2		8	

www.AutoEPC.com

TM-ZR360 41102310070A FRAME/SL, MANUAL, HOOK-IN  
PC1230061-00 PIPING, REAR JACK (1)



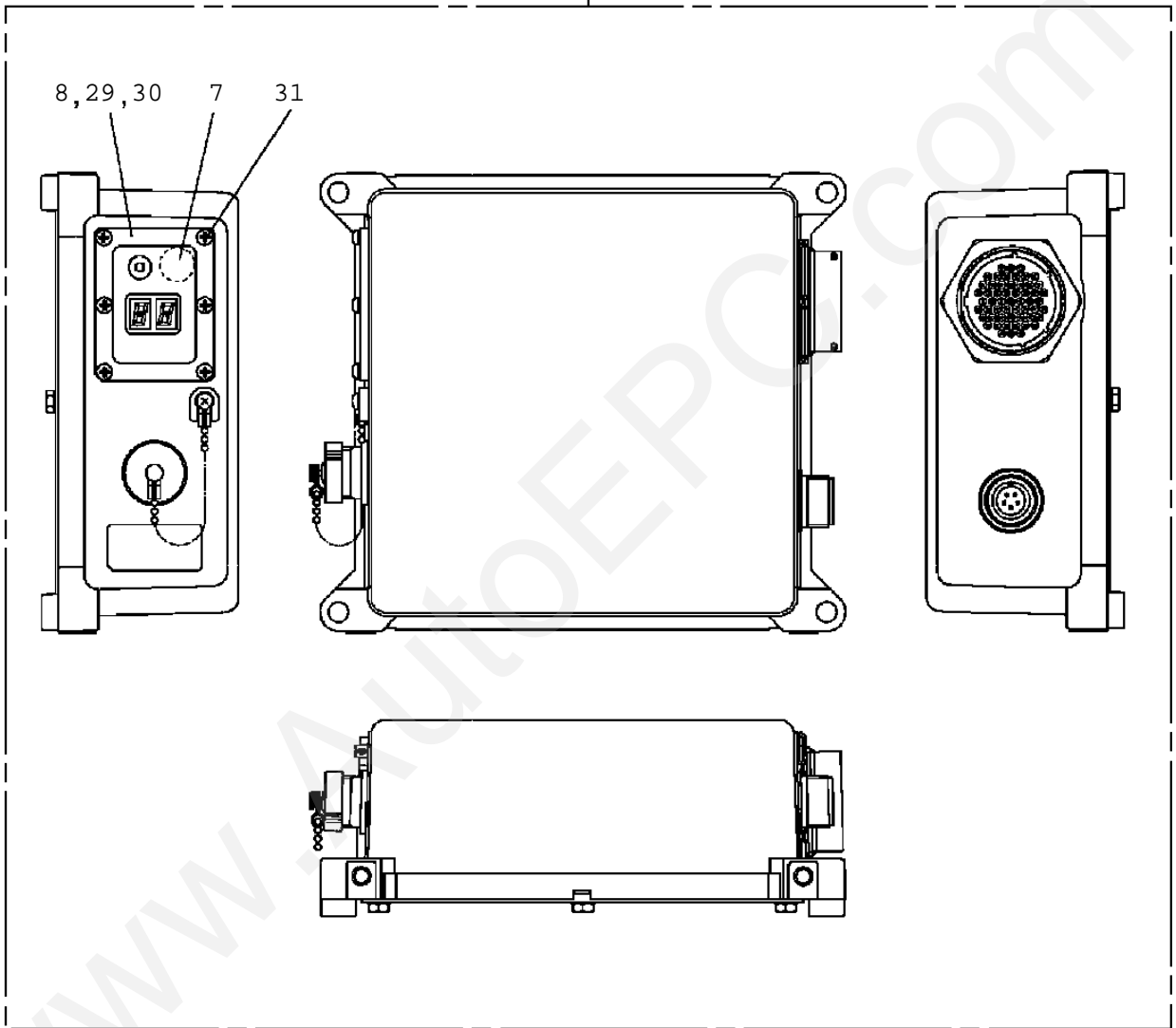
**TM-ZR360 41102310070A FRAME/SL, MANUAL, HOOK-IN**

Pos No.	Parts No	Parts Name	Qty	Unit	Technical Data	Serial No (Start)
1	31648860010	PIPE	1			
2	31648860020	PIPE	1			
3	31648860030	PIPE	1			
4	31648860040	PIPE	1			
5	80303130101	FITTING, ELBOW	2		KLO10-020E	
6	80302090101	FITTING	2		KCO10-020N	
7	31611613101	POWER SUPPLY	1			
8	90172108018	BOLT, HEXAGON SOCKET	4		M8X18	
9	90302040801	WASHER, SPRING	6		8	
10	91002801100	O-RING	2		1B P11	
11	31645360100	SUPPORT	1			
12	90186210014	BOLT, FLANGE	4		M10X14	
13	37005700130	CLAMP	2		10X2	
14	90101208035	BOLT	2		M8X35	
15	90303070801	WASHER, PLAIN	2		8	
31	91002801100	O-RING	2		1B P11	

www.AutoEPC.com

TM-ZR360 41102310070A FRAME/SL, MANUAL, HOOK-IN  
PC5410006-03 CONTROL UNIT

900



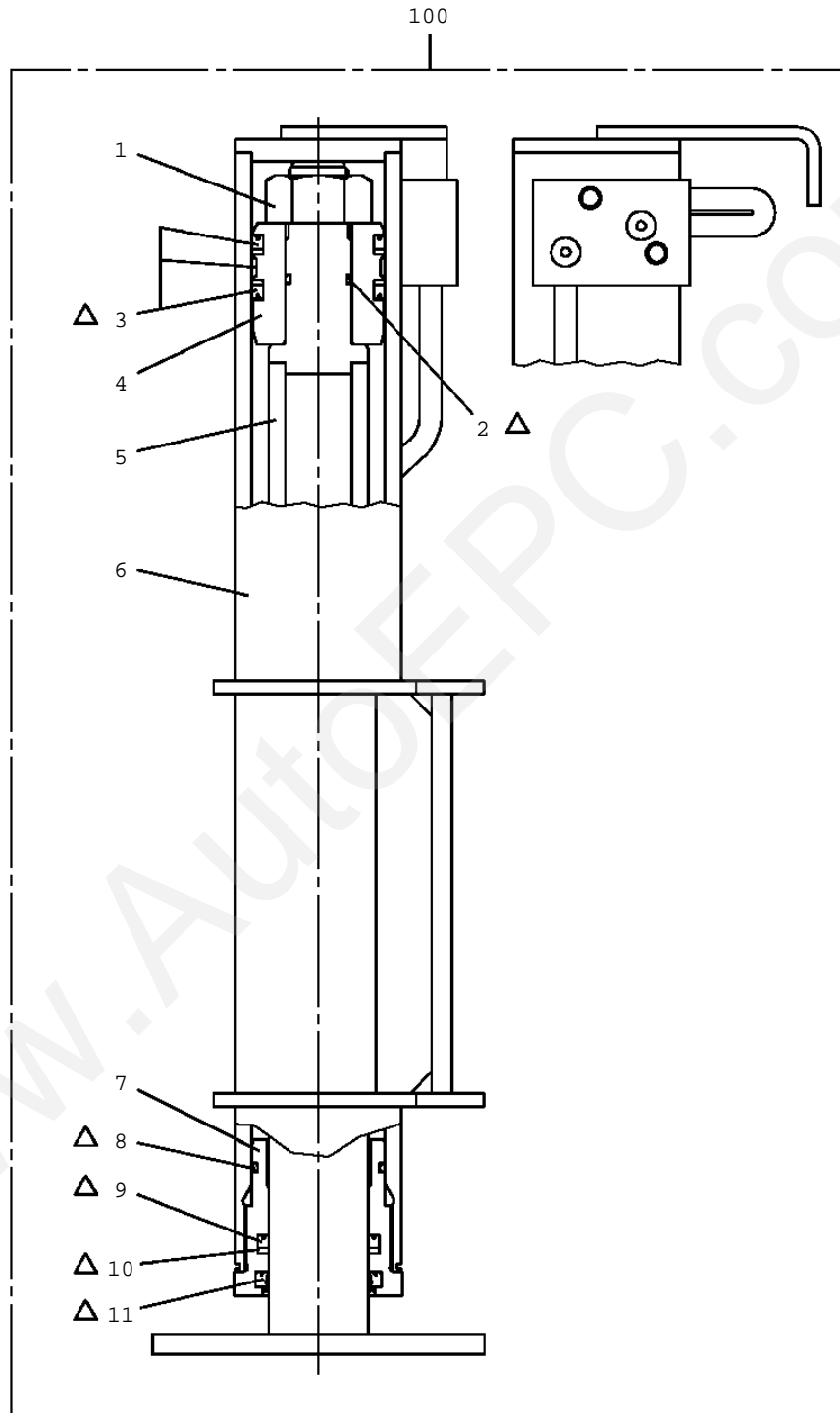
**TM-ZR360 41102310070A FRAME/SL,MANUAL,HOOK-IN**

Pos No.	Parts No	Parts Name	Qty	Unit	Technical Data	Serial No (Start)	Serial :
7	36804917060	STEM	1				
8	36804917640	PANEL	1				
29	36804917730	GASKET	1				
30	36804917740	FRAME	1				
31	36804917750	SCREW(3X8)	6				
900	36804911001	CONTROL UNIT	1				

www.AutoEPC.com



TM-ZR360 41102310070A FRAME/SL, MANUAL, HOOK-IN  
PC6390047-01 CYLINDER ASSY, JACK



△:PACKING SET KEY NO.50 (KEY NO.2,3,8,9,10,11)

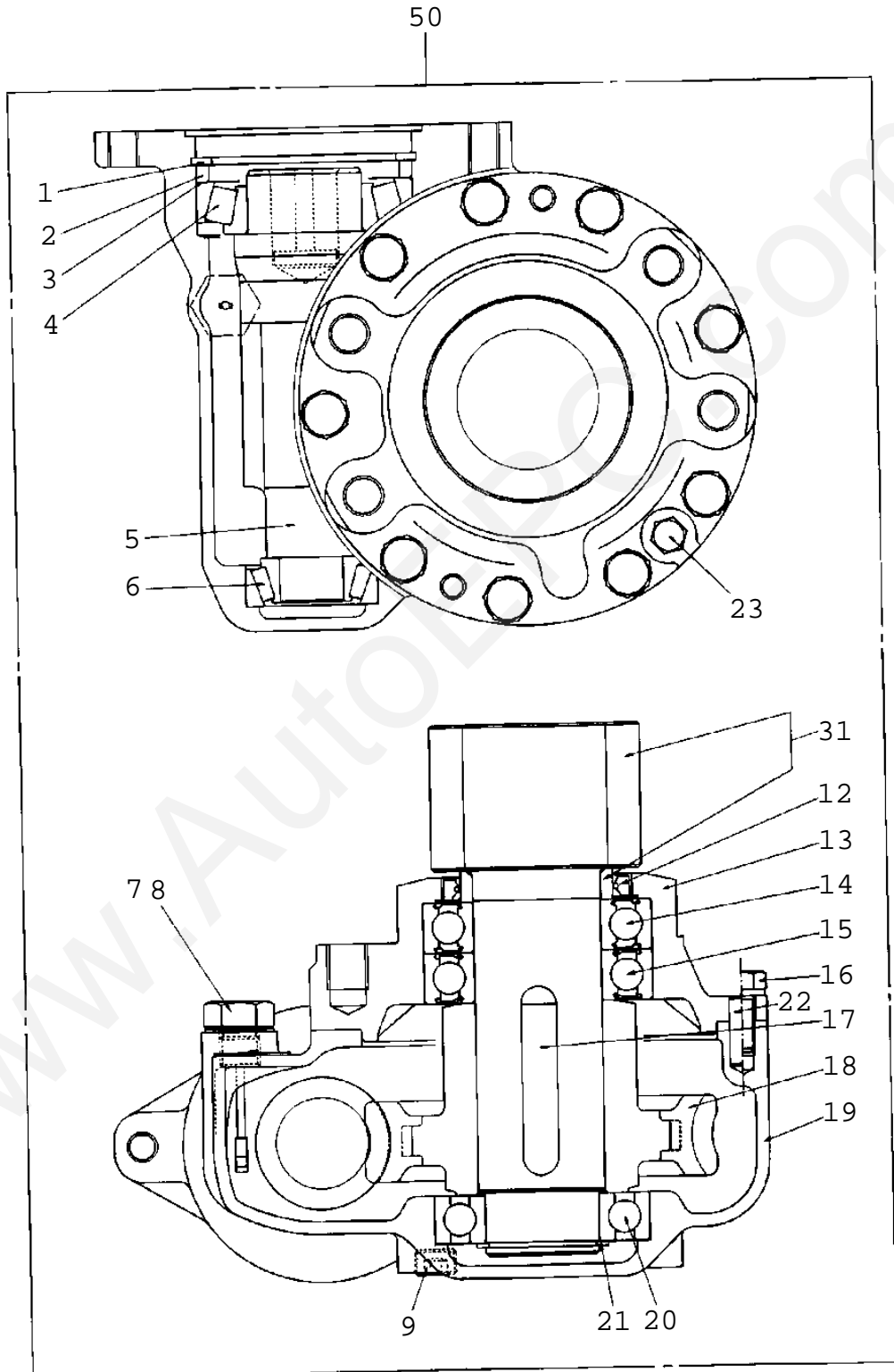
**TM-ZR360 41102310070A FRAME/SL,MANUAL,HOOK-IN**

Pos No.	Parts No	Parts Name	Qty	Unit	Technical Data	Serial N
1	37001601420	NUT	1		M27X2	
2	91002902500	O-RING	1		1B G25	
3	91350206000	BEARING,PLAIN (WITH PACKINGX2)	1			
4	36013823000	PISTON	1			
5	36033162000	ROD	1			
6	36034731002	CYLINDER	1			
7	36013823200	COVER,ROD	1			
8	91002905500	O-RING	1		1B G55	
9	91694004500	PACKING	1			
10	91410204502	RING,BACKUP	1			
11	91660004501	SEAL,DUST	1			
50	36033169910	PACKING SET	1		45X60	
100	36034730001	CYLINDER ASSY,JACK	1			

www.AutoEPC.com

TM-ZR360 41102310070A FRAME/SL, MANUAL, HOOK-IN  
PD1010133-00 REDUCER, SWING SPEED

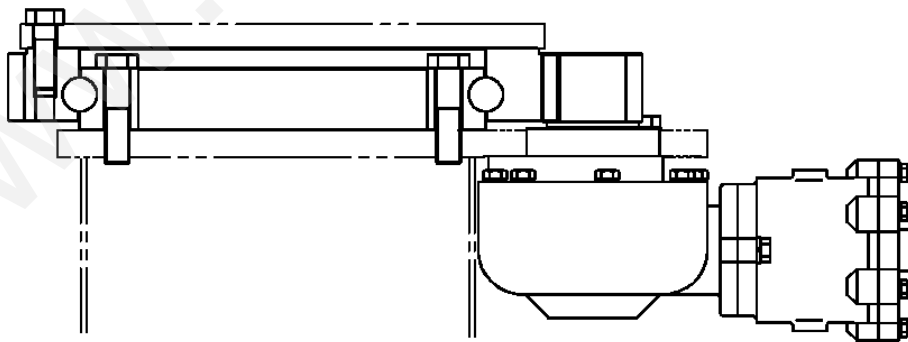
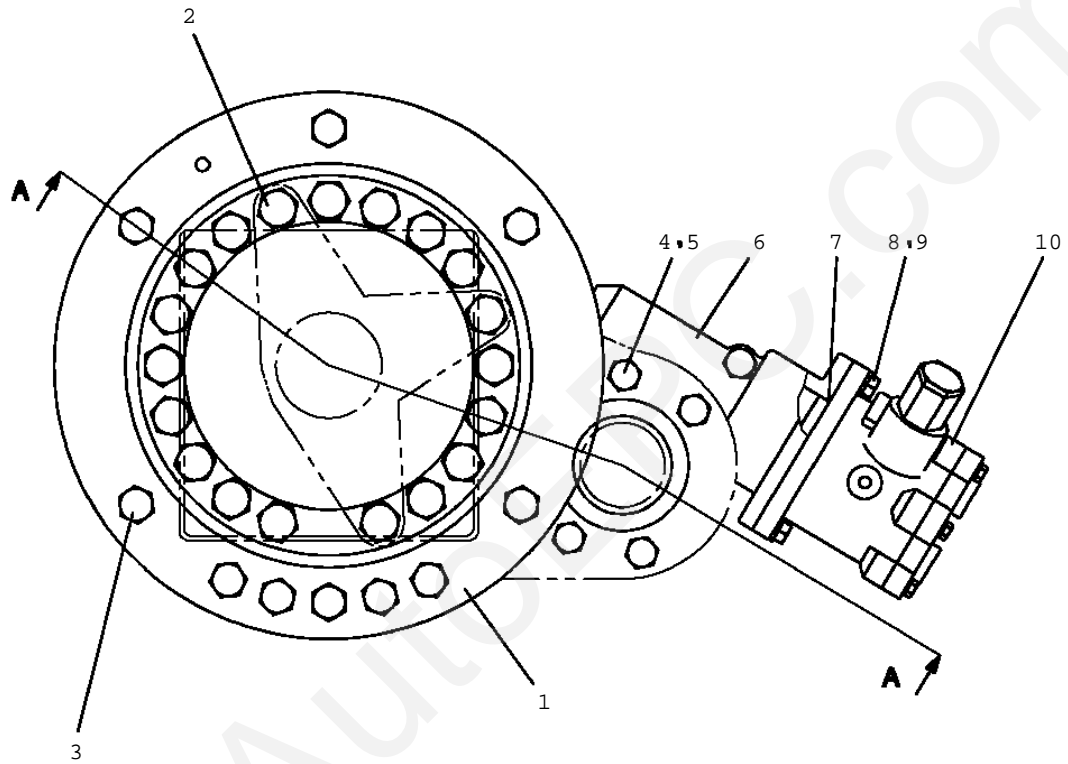
Assembly Name REDUCER, SWING SPEED



**TM-ZR360 41102310070A FRAME/SL,MANUAL,HOOK-IN**

Pos No.	Parts No	Parts Name	Qty	Unit	Technical Data
1	36081325090	RING,SNAP	1		
2	36081325010	SPACER	1		
3	36081325080	SHIM SET	1		
4	36081325110	BEARING,TAPER ROLLER	1		
5	36081325020	WORM	1		
6	36081325120	BEARING,TAPER ROLLER	1		
7	36080755040	GAUGE,OIL	1		
8	36080235080	WASHER,SEAL	1		M16
9	80316090060	PLUG	1		KKT PT3/8
12	91280431931	SEAL,OIL	1		
13	36081325050	CASE,GEAR	1		
14	36081325130	BEARING,BALL(METAL SHIELD TYPE 6210ZZC3)	1		
15	36081325140	BEARING,BALL (RUBBER SEAL TYPE 6210LLU)	1		
16	36080495050	BOLT,SEMS (M10X25,WITH WASHER)	9		
17	36080505080	KEY	1		
18	36081325060	WHEEL,WORM	1		
19	36081325070	CASE,GEAR	1		
20	80500006209	BEARING,BALL	1		
21	80601110450	RING,RITAINING	1		S45
22	36080015000	PIN	2		
23	82400000478	BREATHER	1		
31	36081325500	GEAR,SPUR	1		
50	36081320000	REDUCER,SWING SPEED	1		

TM-ZR360 41102310070A FRAME/SL, MANUAL, HOOK-IN  
PD1010154-01 REDUCER, SWING SPEED (MOUNT)



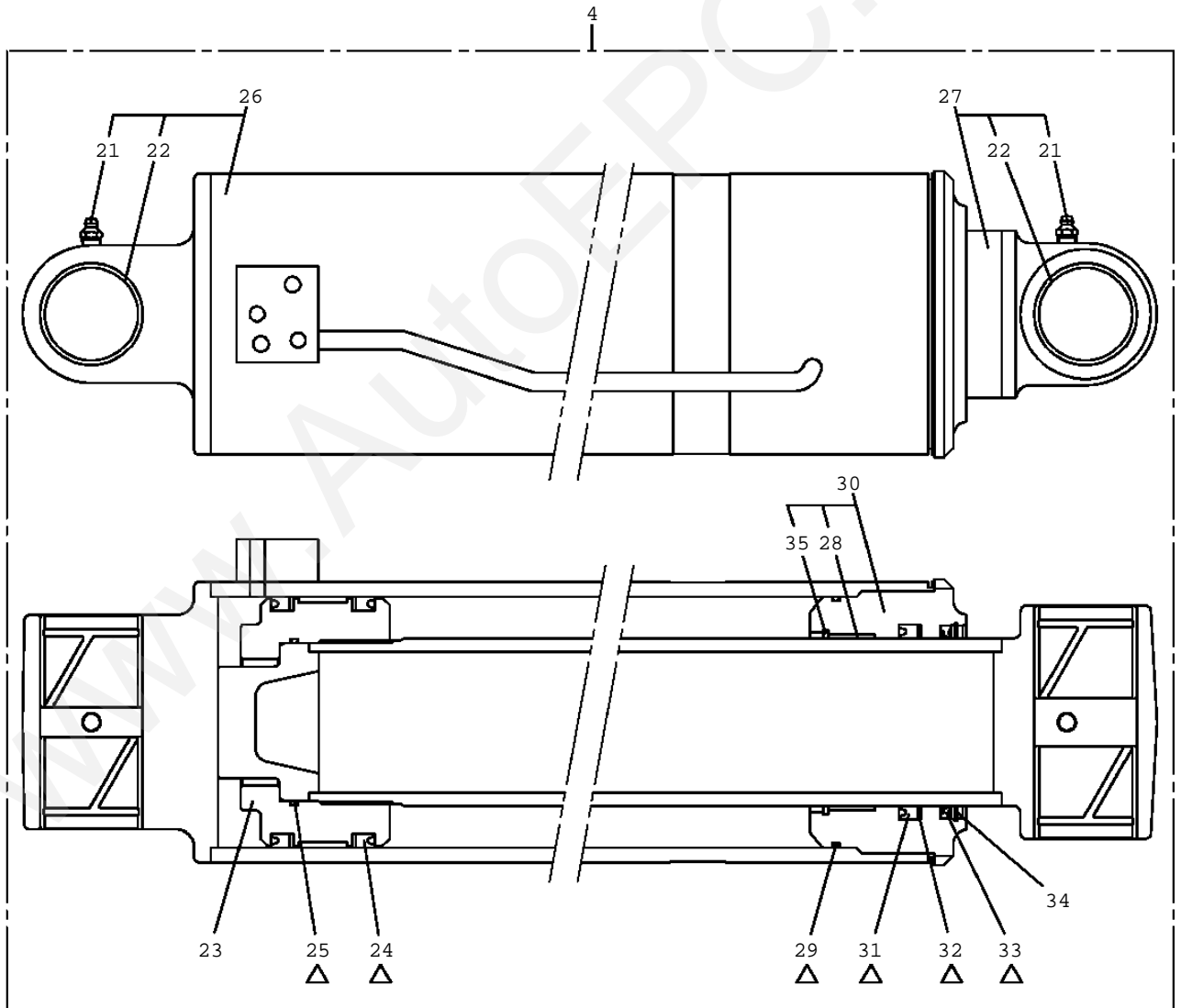
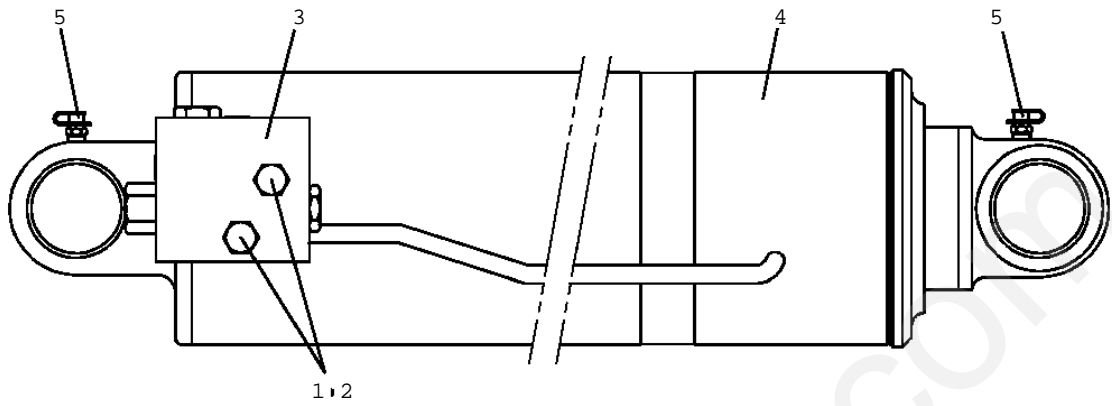
A-A

**TM-ZR360 41102310070A FRAME/SL, MANUAL, HOOK-IN**

Pos No.	Parts No	Parts Name	Qty	Unit	Technical Data	Serial No (Start)
1	37002302720	BEARING, SWING (NTN)	1			
2	31300070010	BOLT	19		M20X80	
3	37001500560	BOLT	10		M18X55	
4	90171116040	BOLT	4		M16X40	
5	90302041601	WASHER, SPRING	4		16	
6	36081320000	REDUCER, SWING SPEED	1			
7	91001208500	O-RING	1		1A G85	
8	90172112035	BOLT, HEXAGON SOCKET	2		M12X35	
9	90302041201	WASHER, SPRING	2		12	
10	36663950000	MOTOR, HYDRAULIC	1			

www.AutoEPC.com

TM-ZR360 41102310070A FRAME/SL, MANUAL, HOOK-IN  
 PE1010348-03 CYLINDER, ELEVATING



△:PACKING SET KEY NO. 90 (KEY NO.24,25,29,31,32,33)

**TM-ZR360 41102310070A FRAME/SL,MANUAL,HOOK-IN**

Pos No.	Parts No	Parts Name	Qty	Unit	Technical Data	Serial N
1	90171110040	BOLT	2		M10X40	
2	90302041001	WASHER,SPRING	2		10	
3	36605180001	VALVE,COUNTERBALANCE	1			
4	36025860000	CYLINDER,ELEVATING	1			
5	82400000459	CAP	2			
21	82456101000	NIPPLE,GREASE	2		A-PT1/8	
22	37000403580	BEARING,PLAIN (DAIDO METAL)	4			
23	36025271000	PISTON	1			
24	91350213500	BEARING,PLAIN (WITH PACKINGX2)	1			
25	91002908500	O-RING	1		1B G85	
26	36025869510	CYLINDER ASSY	1			
27	36025869520	ROD ASSY	1			
28	37000403700	BEARING,PLAIN	1			
29	91002913000	O-RING	1		1B G130	
30	36025869530	COVER,ROD	1			
31	91694009000	PACKING	1			
32	91410209000	RING,BACKUP	1			
33	91660009000	SEAL,DUST	1			
34	80622000900	RING,RITAINING	1		SP90	
35	80612110980	RING,RITAINING	1		AR98	
90	36025869900	PACKING SET	1		90X135	

www.AutoEPC.com



TM-ZR360 41102310070A FRAME/SL,MANUAL,HOOK-IN  
PE5020101-00 ELEC.ASSY (AWL LAMP)

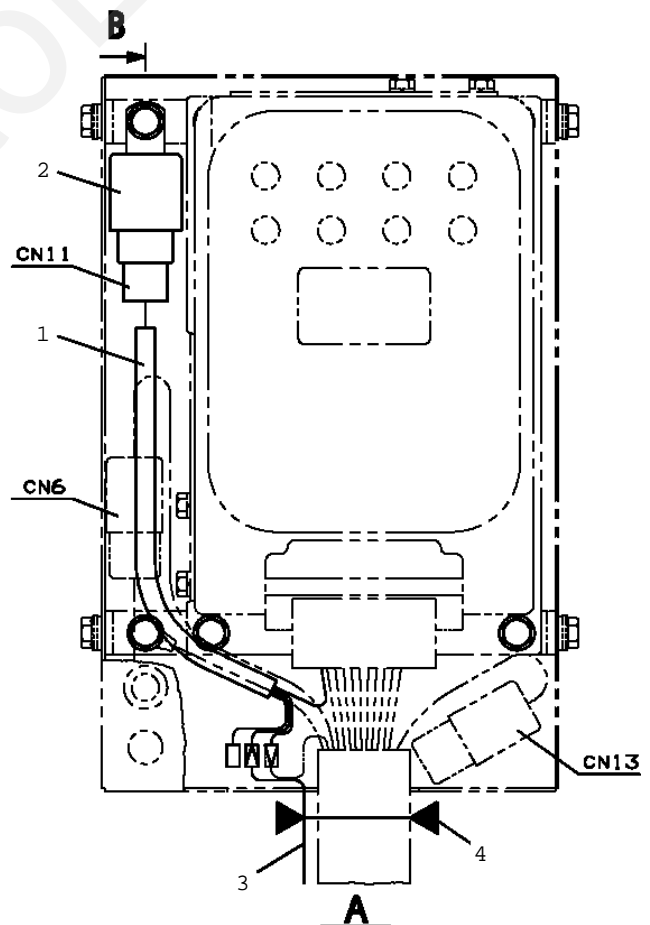
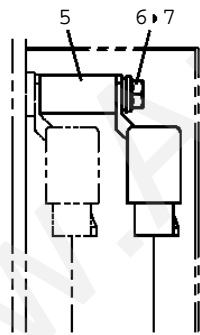
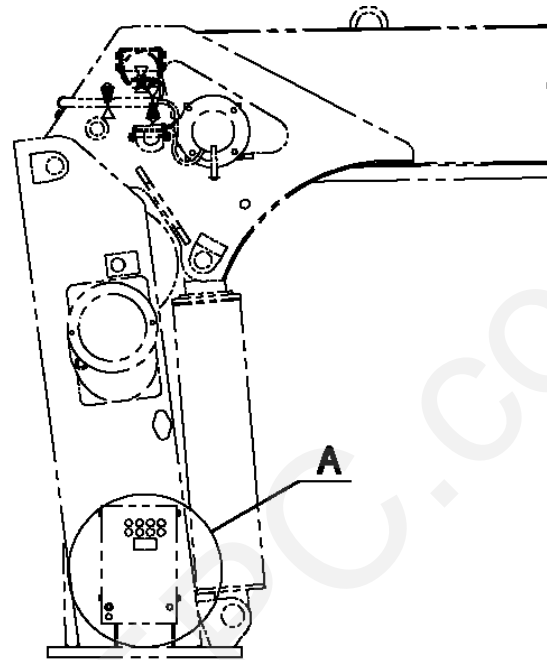
指示番号 KEY NO.	ハイセンASSY (AWLランプ へんこう) ELEC.ASSY (AWL LAMP)
1	ハイセンASSY ELEC.ASSY
2	ネームプレートASSY (ランプ テントウジ ヨウケンへんこう) NAME PLATE ASSY
6	ネームプレートASSY (タカサセイゲンランプ テントウジ ヨウケンへんこう) NAME PLATE ASSY

**TM-ZR360 41102310070A FRAME/SL,MANUAL,HOOK-IN**

Pos No.	Parts No	Parts Name	Qty	Unit	Technical Data	Serial No (Start)	Se
1	(***** )	ELEC.ASSY	1				
2	(***** )	NAME PLATE ASSY	1				
6	(***** )	NAME PLATE ASSY	1				

www.AutoEPC.com

TM-ZR360 41102310070A FRAME/SL, MANUAL, HOOK-IN  
PE5020102-00 ELEC.ASSY

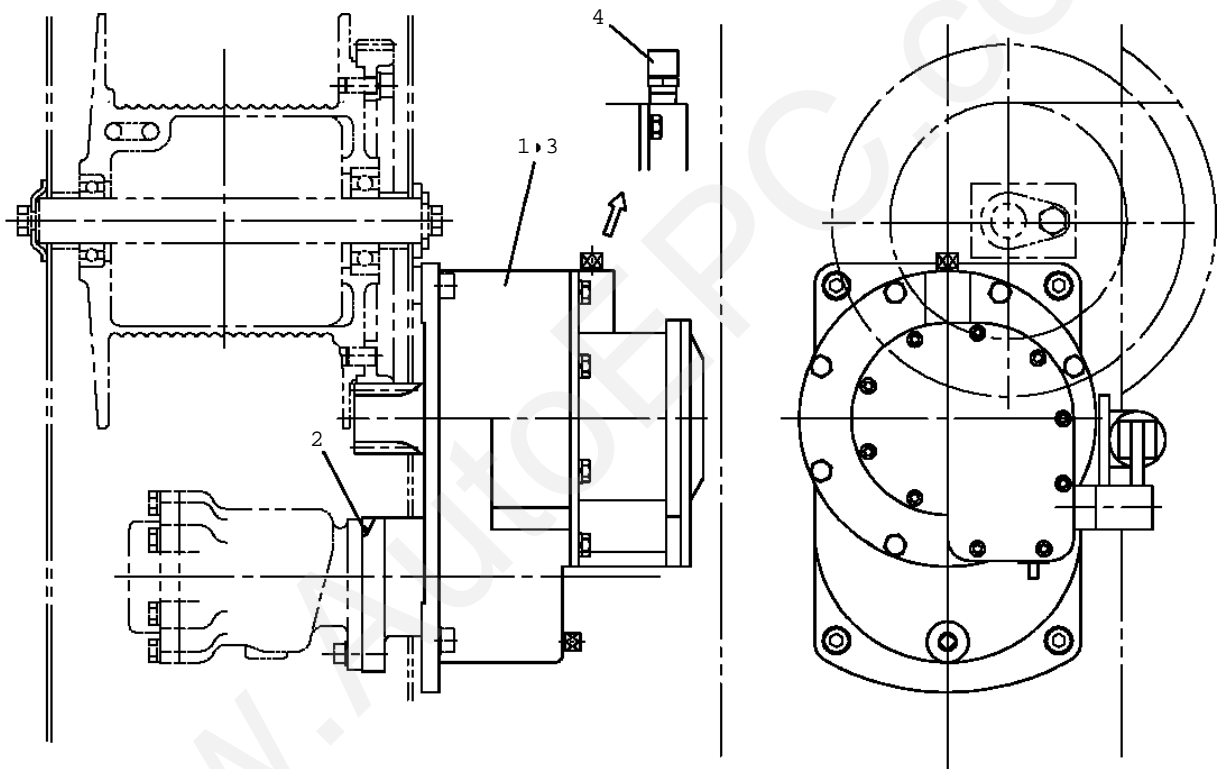


**TM-ZR360 41102310070A FRAME/SL, MANUAL, HOOK-IN**

Pos No.	Parts No	Parts Name	Qty	Unit	Technical Data	Serial No (Start)	Serial
1	31500701100	HARNES	1				
2	82100002596	RELAY	1				
3	31473744700	HARNES (RED)	1		L=1000		
4	91810130240	FASTENER	4				
5	44630111170	SPACER	1				
6	90186206045	BOLT, FLANGE	1		M6X45		
7	90303070601	WASHER, PLAIN	1		6		

www.AutoEPC.com

TM-ZR360 41102310070A FRAME/SL, MANUAL, HOOK-IN  
PF1010131-01 WINCH (DRUM FREE, OPTION)



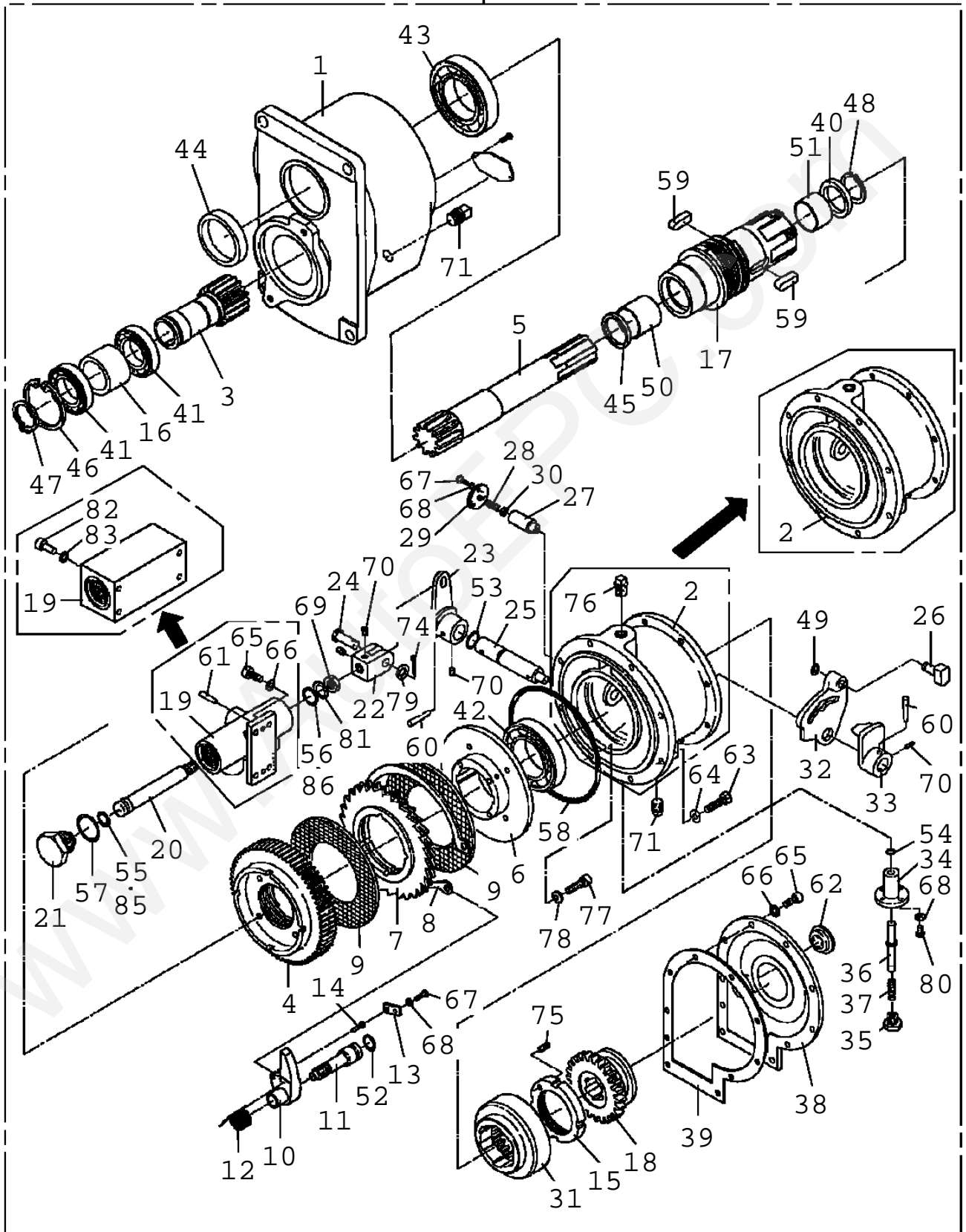
**TM-ZR360 41102310070A FRAME/SL,MANUAL,HOOK-IN**

Pos No.	Parts No	Parts Name	Qty	Unit	Technical Data	Serial No (Start)	Se
1	36072280000	WINCH (DRUM FREE)	1				
2	91001206000	O-RING	1		1A G60		
4	31310610500	BREATHER,AIR	1				

www.AutoEPC.com

TM-ZR360 41102310070A FRAME/SL, MANUAL, HOOK-IN  
PF1010133-01 WINCH (DRUM FREE)

100



**TM-ZR360 41102310070A FRAME/SL, MANUAL, HOOK-IN**

Pos No.	Parts No	Parts Name	Qty	Unit	Technical Data	Serial No (Start
1	36072285070	CASE, GEAR	1			
2	36071315020	CASE (CLUTCH)	1			
3	36071195030	GEAR, SPUR	1			
4	36071315030	GEAR, SPUR	1			
5	36071315040	GEAR, SPUR	1			
6	36071315050	BRAKE, DISK	1			
7	36071315060	WHEEL, RATCHET	1			
8	36071195080	LINK (RATCHET CONTROL)	1			
9	36071315070	DISK ASSY	2			
10	36071195100	RATCHET	1			
11	36071315080	SHAFT	1			
12	36071315090	SPRING	1			
13	36071195130	CAP	1			
14	36071195140	PIN	1			
15	36071315100	NUT	1			
16	36071195160	SPACER	1			
17	36071315110	SHAFT	1			
18	36071315120	GEAR, CLUTCH	1			
19	36072285080	CYLINDER	1			
20	36072285020	PISTON	1			
21	36071315150	STOPPER	1			
22	36071315160	JOINT, KNUCKLE	1			
23	36071315170	ARM (CLUTCH)	1			
24	36071315180	PIN (HINGE)	1			
25	36071315190	SHAFT	1			
26	36071315200	PIN (SLIDE)	1			
27	36071135150	PIN (LOCK)	1			
28	36071135160	SPRING	1			
29	36071315210	CAP	1			
30	36071315220	WASHER	1			
31	36071315230	GEAR, CLUTCH	1			
32	36071315240	SHIFTER (1)	1			
33	36071315250	SHIFTER (2)	1			
34	36071315261	HOUSING (INDICATOR)	1			
35	36071315270	NUT	1			
36	36071315280	PIN	1			
37	36071315290	SPRING	1			
38	36071315300	COVER	1			
39	36071315310	PACKING (SEAT)	1			
40	36071315320	SPACER (2)	1			
41	80500006007	BEARING, BALL	2			
42	80500006211	BEARING, BALL	1			
43	80500006212	BEARING, BALL	1			
44	91206058002	SEAL, OIL	1			
45	36071315330	SEAL, OIL	1			
46	80602110620	RING, RITAINING	1		R62	
47	80601110350	RING, RITAINING	1		S35	
48	80601110340	RING, RITAINING	1		S34	
49	80601110100	RING, RITAINING	1		S10	
50	36071315340	BEARING, PLAIN	1			
51	36071315350	BEARING, PLAIN	1			
52	91001101500	O-RING	1		1A P15	
53	91001101400	O-RING	2		1A P14	
54	91001100800	O-RING	1		1A P8	
55	91001101800	O-RING	1		1A P18	
56	91001101400	O-RING	1		1A P14	
57	91001102201	O-RING	1		1A P22A	
58	36071195200	O-RING	1			
59	36071315360	KEY	2			
60	36071315370	PIN, TAPER	2			
62	36071195190	GAUGE, OIL	1			
63	90131508018	BOLT, HEXAGON SOCKET	7		M8X18	
64	90302040801	WASHER, SPRING	7		8	
65	90131506018	BOLT, HEXAGON SOCKET	10		M6X18	
66	90302040601	WASHER, SPRING	10		6	
67	80172304012	SCREW, MACHINE	1		M4X12	
68	90302040401	WASHER, SPRING	8		4	
69	90211301200	NUT	1		M12	
70	36071315390	SCREW, SET	3		M6X6	
71	80205000300	PLUG	2		PT3/8	
74	80136320016	PIN, SPLIT	1		2X16	
75	36071135290	SCREW	2		M5X10	
77	90131508015	BOLT, HEXAGON SOCKET	1		M8X15	
78	36071315400	WASHER, SEAL	1			

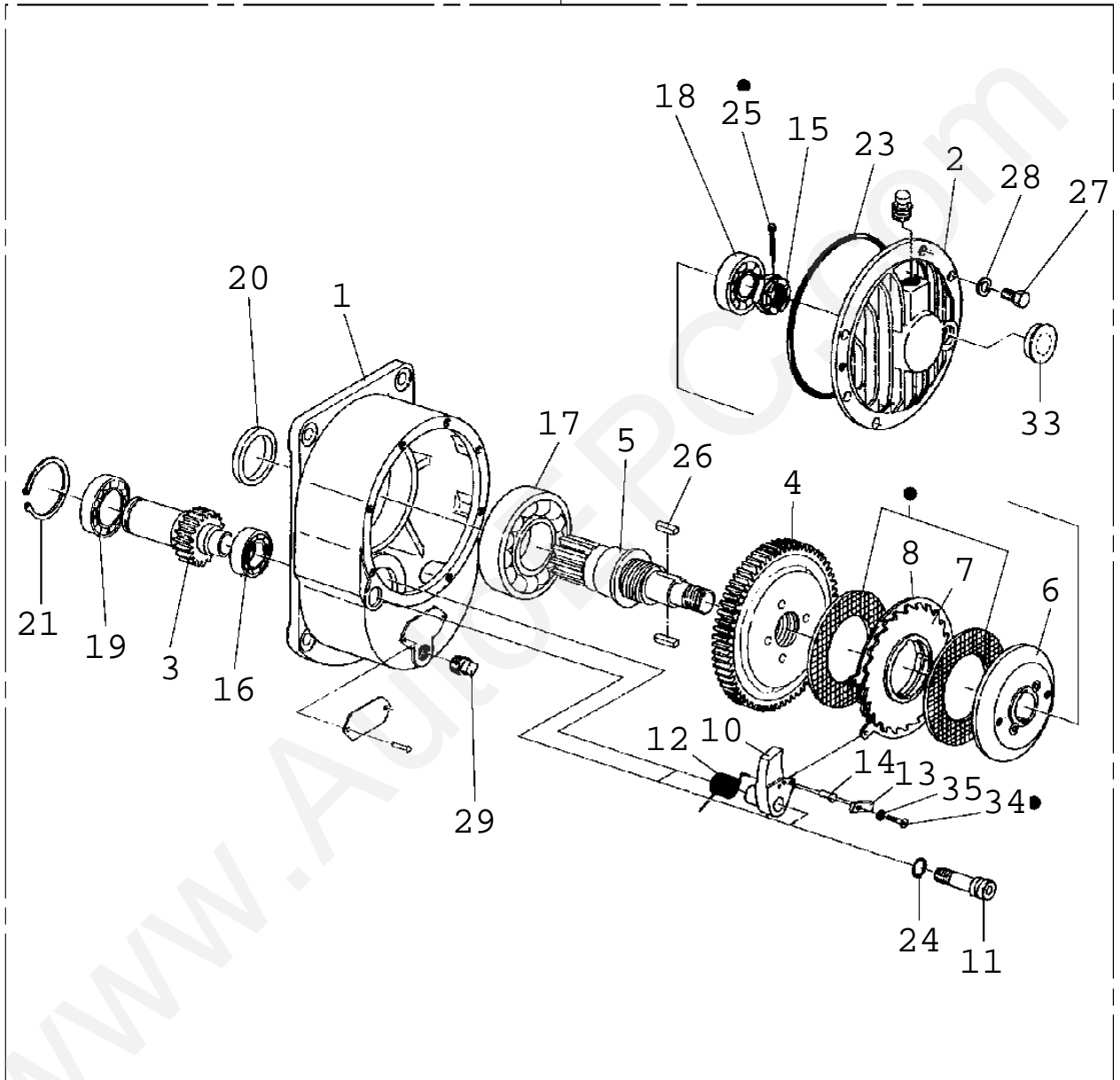


**TM-ZR360 41102310070A FRAME/SL, MANUAL, HOOK-IN**

Pos No.	Parts No	Parts Name	Qty	Unit	Technical Data	Serial No (Start
79	90303071001	WASHER, PLAIN	1		10	
80	90131504012	BOLT, HEXAGON SOCKET	7		M4X12	
81	36072285030	SEAL, DUST	1			
82	90131506045	BOLT, HEXAGON SOCKET	4		M6X45	
83	90302040601	WASHER, SPRING	4		6	
85	91410001800	RING, BACKUP	2		P18	
86	91410001400	RING, BACKUP	1		P14	
100	36072280000	WINCH (DRUM FREE)	1			

www.AutoEPC.com

100



- : FACING KIT KEY NO1 0 1( JAPANESE )
- : FACING KIT KEY NO1 0 2( ENGLISH )

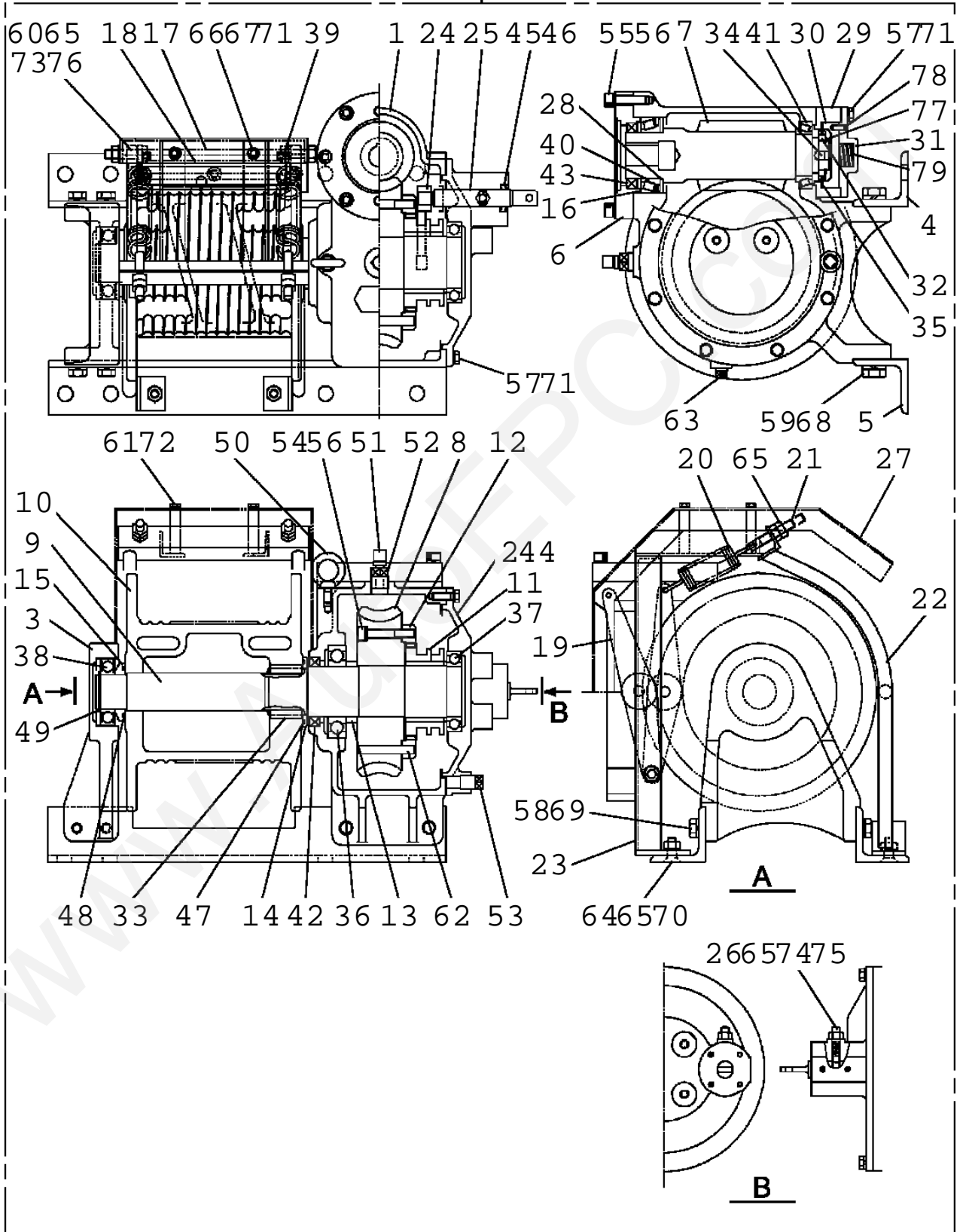
- Protective seal
- Replacement interval name plate

**TM-ZR360 41102310070A FRAME/SL,MANUAL,HOOK-IN**

Pos No.	Parts No	Parts Name	Qty	Unit	Technical Data	Serial No (
1	36072625080	CASE,GEAR	1			
2	36072625020	CASE,GEAR	1			
3	36072625030	GEAR,SPUR	1			
4	36072625100	GEAR,SPUR	1			
5	36072625050	GEAR,SPUR	1			
6	36072625110	BRAKE,DISK	1			
7	36072625120	WHEEL,RATCHET (BUSH L=17MM)	1			
8	36071195080	LINK (RATCHET CONTROL)	1			
10	36071195100	RATCHET	1			
11	36072625090	SHAFT	1			
12	36071195120	SPRING	1			
13	36071195130	CAP	1			
14	36071195140	PIN	1			
15	36071195150	NUT	1			
16	80500006202	BEARING,BALL	1			
17	80500006212	BEARING,BALL	1			
18	80500006305	BEARING,BALL	1			
19	80500006007	BEARING,BALL	1			
20	91206048001	SEAL,OIL	1			
21	80602110620	RING,RITAINING	1		R62	
23	36071195200	O-RING	1			
24	36071195170	O-RING	1		P15	
25	80136340040	PIN,SPLIT	1		4X40	
26	36072625070	KEY	2			
27	90101208018	BOLT	6		M8X18	
28	90302040801	WASHER,SPRING	6		8	
29	80316030060	PLUG	1		PT3/8	
33	36071195190	GAUGE,OIL	1			
34	80172304015	SCREW,MACHINE	1		M4X15	
35	90302040401	WASHER,SPRING	1		4	
100	36072620000	WINCH (HARTYS)	1			
101	36070441000	FACING KIT(JAPANESE)	1			
102	36070442000	FACING KIT (ENGLISH)	1			

TM-ZR360 41102310070A FRAME/SL, MANUAL, HOOK-IN  
 PF1010207-00 WINCH (HARTYS)

100



**TM-ZR360 41102310070A FRAME/SL, MANUAL, HOOK-IN**

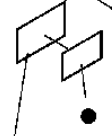
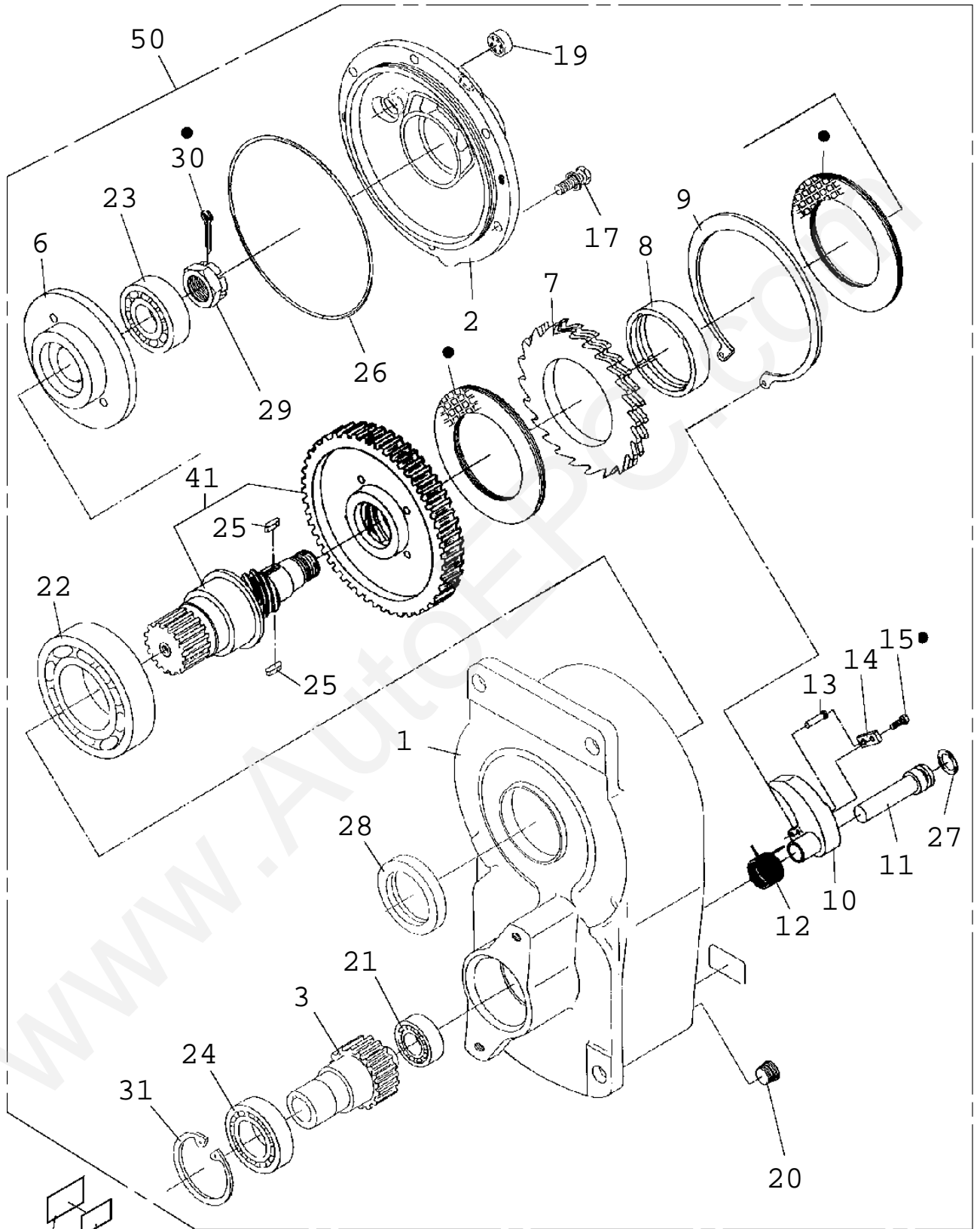
Pos No.	Parts No	Parts Name	Qty	Unit	Technical Data	Serial No (Start)
1	36072815010	CASE, GEAR	1			
2	36072815020	COVER	1			
3	36072815030	RETAINER (BEARING)	1			
4	36072815040	FRAME	1			
5	36072815050	FRAME	1			
6	36072815060	FLANGE (MOTOR)	1			
7	36072815070	WORM	1			
8	36072815080	WHEEL, WORM	1			
9	36072815090	DRUM, SHAFT	1			
10	36072815100	DRUM	1			
11	36072815110	CLUTCH	1			
12	36072815120	CLUTCH	1			
13	36072815130	COLLAR	1			
14	36072815140	COLLAR	1			
15	36072815150	COLLAR	1			
16	36072815160	PLATE (SHIM)	1			
17	36072815170	ROLLER	1			
18	36072815180	SHAFT (ROLLER)	1			
19	36072815190	ARM (ROLLER)	2			
20	36072815200	SPRING	2			
21	36072815210	BOLT (TENSION)	2			
22	36072815220	GUIDE (WIRE)	1			
23	36072815230	STAND (ROLLER)	1			
24	36072815240	FORK (CHENGE)	1			
25	36072815250	SHAFT	1			
26	36072815260	GUIDE, BLOCK	1			
27	36072815270	COVER	1			
28	36072815280	PLATE	1			
29	36072815290	CASE	1			
30	36072815300	PLATE	1			
31	36072815310	COVER	1			
32	36072815320	GEAR	1			
33	36072815330	KEY	2			
34	36072815340	KEY	1			
35	36072815350	FACING	1			
36	80500006212	BEARING, BALL	1			
37	80500006012	BEARING, BALL	1			
38	80516006208	BEARING, BALL	1			
39	80516006202	BEARING, BALL	2			
40	36070525350	BEARING, ROLLER	1			
41	36070525360	BEARING, ROLLER	1			
42	91206060003	SEAL, OIL	1			
43	36072815360	SEAL, OIL	1			
44	36072815370	PACKING (SEAT)	1			
45	36072815380	SEAL, DUST	1			
46	36072815390	RING	1			
47	91001207000	O-RING	1		1A G70	
48	91001205500	O-RING	1		1A G55	
49	80601110400	RING, RITAINING	1		S40	
50	90151200100	BOLT, EYE	1		M10	
51	82400000478	BREATHER	1			
52	36070525390	PLUG	1		PT1/2X1/8	
53	80205000300	PLUG	1		PT3/8	
54	90172110060	BOLT, HEXAGON SOCKET	8		M10X60	
55	90172110040	BOLT, HEXAGON SOCKET	6		M10X40	
56	90302041001	WASHER, SPRING	14		10	
57	90101508025	BOLT	12		M8X25	
58	90171112030	BOLT	4		M12X30	
59	90171116035	BOLT	4		M16X35	
60	90171110045	BOLT	2		M10X45	
61	90171106010	BOLT, HEXAGON SOCKET	4		M6X10	
62	36072815400	PIN (PARALLEL)	2			
63	80205000200	PLUG	1		PT1/4	
64	36072815410	BOLT, FLAT HEAD	5			
65	90201201000	NUT	12		M10	
66	90101208020	BOLT	2		M8X20	
67	90201200800	NUT	2		M8	
68	90302041601	WASHER, SPRING	4		16	
69	90302041201	WASHER, SPRING	4		12	
70	90302041001	WASHER, SPRING	5		10	
71	90302040801	WASHER, SPRING	14		8	
72	90302040601	WASHER, SPRING	4		6	
73	90303071001	WASHER, PLAIN	2		10	
74	36072815420	SPRING	1			

**TM-ZR360 41102310070A FRAME/SL,MANUAL,HOOK-IN**

Pos No.	Parts No	Parts Name	Qty	Unit	Technical Data	Serial No (Start)
75	36072815430	BALL,STEEL	1			
76	80136320020	PIN,SPLIT	2		2X20	
77	80601110350	RING,RITAINING	1		S35	
78	36072815440	PIN (PARALLEL)	1			
79	36072815450	SPRING	1			
100	36072810000	WINCH (HARTYS)	1			

www.AutoEPC.com

TM-ZR360 41102310070A FRAME/SL, MANUAL, HOOK-IN  
 PF1010237-00 WINCH (OOKUBO)



- Protective seal
- Replacement interval name plate

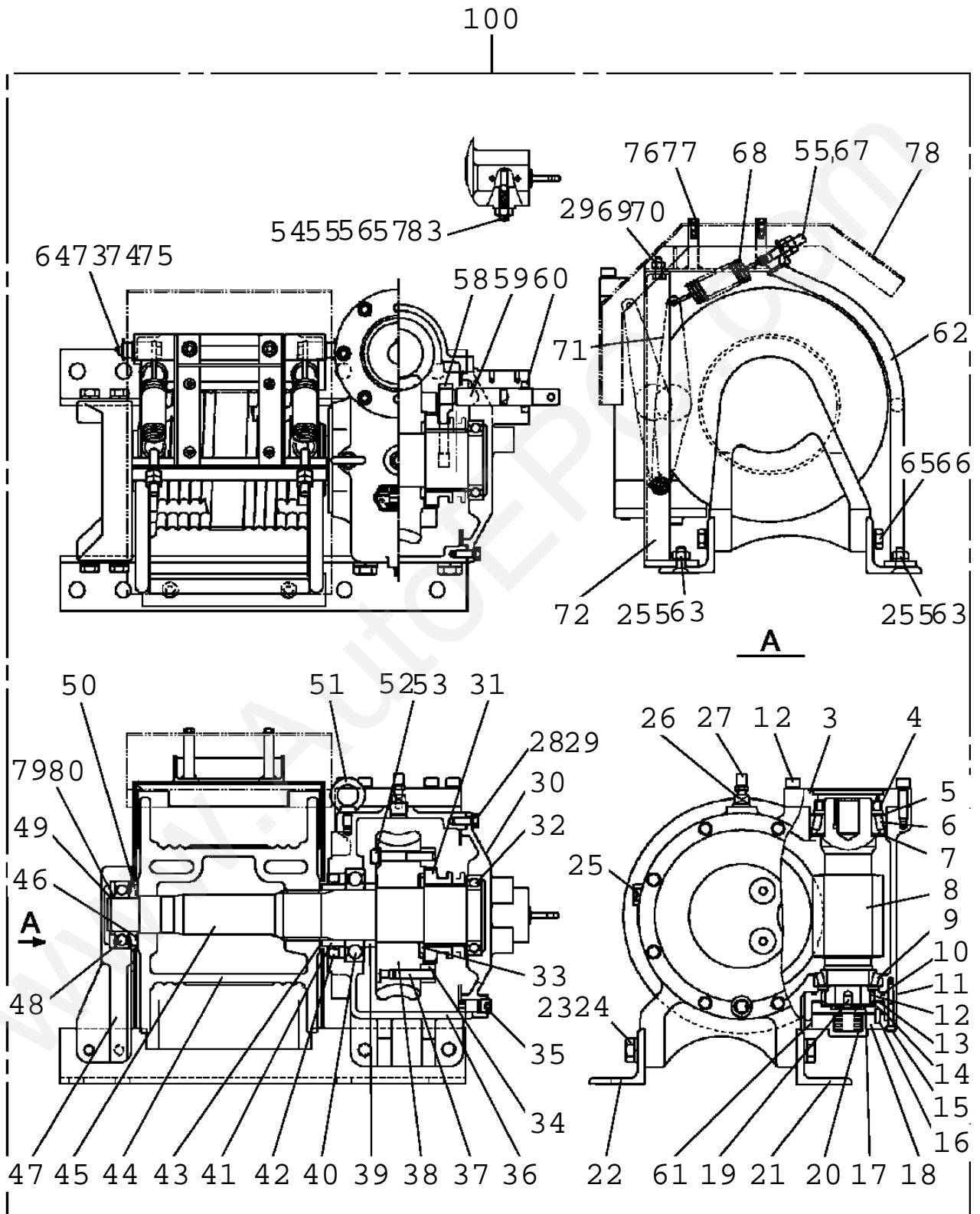
● : FACING KIT KEY NO1 01 ( JAPANESE )

**TM-ZR360 41102310070A FRAME/SL, MANUAL, HOOK-IN**

Pos No.	Parts No	Parts Name	Qty	Unit	Technical Data	Serial No (Start)
1	36072255010	CASING	1			
2	36072255020	COVER	1			
3	36072255030	GEAR (1)	1			
6	36073425030	DISK	1			
7	36073425020	WHEEL, RATCHET	1			
8	36073425040	BUSH	1			
9	36072255091	RING, SLIP	1			
10	36072255101	RATCHET	1			
11	36072255110	PIN	1			
12	36072255120	SPRING	1			
13	36072255130	PIN	1			
14	36072255140	PLATE (LOCK)	1			
15	80172304010	SCREW, MACHINE	1		M4X10	
17	36072255160	BOLT (WITH WASHER)	6		M8X25	
19	36072255180	GAUGE, OIL	1			
20	36072255240	PLUG	1			
21	80500006004	BEARING, BALL	1			
22	80500006212	BEARING, BALL	1			
23	80500006305	BEARING, BALL	1			
24	80500006007	BEARING, BALL	1			
25	36072255190	KEY	2		7X7X20	
26	36072255250	O-RING	1			
27	91001101500	O-RING	1		1A P15	
28	36072255210	SEAL, OIL	1			
29	36072255220	NUT, CASTLE	1		M24	
30	80136350035	PIN, SPLIT	1		5X35	
31	80602110620	RING, RITAINING	1		R62	
41	36073435011	GEAR SET	1			
50	36073430000	WINCH (OOKUBO)	1			
101	36072251000	FACING KIT (JAPANESE)	1			
102	36072252000	FACING KIT (ENGLISH)	1			



TM-ZR360 41102310070A FRAME/SL, MANUAL, HOOK-IN  
 PF1010242-01 WINCH (YG.TEC)



**TM-ZR360 41102310070A FRAME/SL, MANUAL, HOOK-IN**

Pos No.	Parts No	Parts Name	Qty	Unit	Technical Data	Serial No (Start)
1	90172110040	BOLT, HEXAGON SOCKET	6		M10X40	
2	90302041001	WASHER, SPRING	11		10	
3	36073295010	FLANGE (MOTOR)	1			
4	91280230551	SEAL, OIL	1			
5	36073295020	SHIM SET	1			
6	36073295500	BEARING, TAPER ROLLER	1			
7	36073295030	SLING	1			
8	36073295040	GEAR, WORM	1			
9	36073295510	BEARING, TAPER ROLLER	1			
10	91001208000	O-RING	1		1A G80	
11	36073295050	HOUSING	1			
12	36700215070	GEAR, BRAKE	1			
13	36700215090	PLATE	1			
14	36072455150	PLATE (PRESSURE)	1			
15	90172106050	BOLT, HEXAGON SOCKET	6		M6X50	
16	36073295360	PIN	1			
17	80601110300	RING, RITAINING	1		S30	
18	36073295060	COVER	1			
19	36072455130	KEY	1			
20	36072455180	SPRING	1			
21	36073295070	FRAME (A)	1			
22	36073295080	FRAME (B)	1			
23	90101516035	BOLT	4		M16X35	
24	90302041601	WASHER, SPRING	4		16	
25	80316090040	PLUG SOCKET	1		R1/4	
26	36070845050	PLUG	1		R1/2XRC1/8	
27	14123000400	BREATHER	1		PT1/8	
28	90101508025	BOLT	8		M8X25	
29	90302040801	WASHER, SPRING	10		8	
30	36073295090	COVER (CASE)	1			
31	36073295100	GEAR (SHIFT)	1			
32	80500006012	BEARING, BALL	1			
33	36073295520	RING, THRUST	1			
34	36073295110	GEAR, INTERNAL	1			
35	80316090060	PLUG	1		KKT PT3/8	
36	36073295120	CASE, GEAR	1			
37	36073295320	PIN	2			
38	36073295130	WHEEL, WORM	1			
39	36073295140	SPACER	1			
40	80500006212	BEARING, BALL	1			
41	36073295150	SLEEVE	1			
42	91280436181	SEAL, OIL	1			
43	91001006500	O-RING	1		S65	
44	36073295160	DRUM	1			
45	36073295170	DRUM, SHAFT	1			
46	91001205000	O-RING	1		1A G50	
47	36073295180	SUPPORT	1			
48	80516006208	BEARING, BALL	1			
49	80601110400	RING, RITAINING	1		S40	
50	36073295190	SPACER	1			
51	90151200100	BOLT, EYE	1		M10	
52	90131910065	BOLT, HEXAGON SOCKET	8		M10X65	
53	36081385080	WASHER	8			
54	36073295200	GUIDE, BLOCK	1			
55	90201201000	NUT	10		M10	
56	36073295210	SPRING	1			
57	80560008000	BALL, STEEL	1		8	
58	36073295220	SHIFTER	1			
59	36073295231	SHIFTER	1			
60	36073295340	SEAL, OIL	1			
61	36073295350	O-RING	1			
62	36073295240	GUIDE (WIRE)	1			
63	90181010030	BOLT	5		M10X30	
64	90236201000	NUT, CASTLE	2		M10	
65	90171112030	BOLT	4		M12X30	
66	90302041201	WASHER, SPRING	4		12	
67	36073295250	BOLT	2			
68	36073295260	SPRING	2			
69	90101208020	BOLT	2		M8X20	
70	90201200800	NUT	2		M8	
71	36073295270	ROLLER ASSY	1			
72	36073295280	ROLLER (STAND)	1			
73	36073295300	BOLT	2			
74	90303071001	WASHER, PLAIN	2		10	

**TM-ZR360 41102310070A FRAME/SL, MANUAL, HOOK-IN**

Pos No.	Parts No	Parts Name	Qty	Unit	Technical Data	Serial No (Start)
75	80136325025	PIN, SPLIT	2		2.5X25	
76	90302040601	WASHER, SPRING	4		6	
77	90101506010	BOLT	4		M6X1.0	
78	36073295291	COVER	1			
79	36073295310	SHIM SET	1			
80	12213012000	SPACER	1		T=3	
83	36073295530	SEAL, FASTENER	1			
100	36073290000	WINCH (YG.TEC)	1			

www.AutoEPC.com

TM-ZR360 41102310070A FRAME/SL,MANUAL,HOOK-IN  
PF1010329-01 WINCH (SELF 3TONX1, S-RADICON,CRANE:M)

指示番号 KEY NO.	ウインチ (セルフ3TON X1, Sラジ コンショウ, クレーン:M) WINCH (SELF 3TON X1, S-RADICON, CRANE:M)
1	マウント, ウインチ MOUNT, WINCH
2	オペ . ASSY, クラッチ OPE. ASSY, CLUTCH
3	パイピング, ウインチ PIPING, WINCH
4	ハイセンASSY ELEC. ASSY
5	プレートASSY, ネーム PLATE ASSY, NAME
7	フック HOOK
10	オペ . ASSY, コントロールバルブ OPE. ASSY, CONT. VALVE
11	ラジオ コントロール RADIO CONTROL

**TM-ZR360 41102310070A FRAME/SL,MANUAL,HOOK-IN**

Pos No.	Parts No	Parts Name	Qty	Unit	Technical Da
1	(*****)	MOUNT,WINCH (3T SELF)	1		
2	(*****)	OPE.ASSY,CLUTCH (SL WINCH,RADIO CONTROL)	1		
3	(*****)	PIPING,WINCH (3TON SELF)	1		
4	(*****)	ELEC.ASSY (SELF,S-RADIO CONTROL)	1		
	(*****)	ELEC.ASSY (KYOKUTO RADICON)	1		
5	(*****)	PLATE ASSY.NAME (ACC.,CLUTCH,SL WINCH)	1		
7	(*****)	HOOK (SELF, 3TONX1-PART LINE)	1		
10	(*****)	OPE.ASSY,CONT.VALVE (SL WINCH,S-RADICON)	1		
11	36806520000	PARTS ASSY,RADIO CONTROLLER (8CH)	1		
	(*****)	RADIO CONTROL (KIT:MITSUMI)	1		

www.AutoEPC.com

TM-ZR360 41102310070A FRAME/SL,MANUAL,HOOK-IN  
PF1010330-01 WINCH (SELF 4TONX1, S-RADICON,CRANE:M)

指示番号 KEY NO.	ウインチ (セルフ4TON X1, Sラジ コンシヨウ, クレーン:M) WINCH (SELF 4TON X1, S-RADICON, CRANE:M)
1	マウント, ウインチ MOUNT, WINCH
2	オペ . ASSY, クラッチ OPE. ASSY, CLUTCH
3	パイピング, ウインチ PIPING, WINCH
4	ハイセンASSY ELEC. ASSY
5	プレートASSY, ネーム PLATE ASSY, NAME
7	フック HOOK
10	オペ . ASSY, ソウサバルブ OPE. ASSY, CONT. VALVE
11	ラジオ コントロール RADIO CONTROL

**TM-ZR360 41102310070A FRAME/SL,MANUAL,HOOK-IN**

Pos No.	Parts No	Parts Name	Qty	Unit	Technical Da
1	(*****)	MOUNT,WINCH (4T SELF)	1		
2	(*****)	OPE.ASSY,CLUTCH (SL WINCH,RADIO CONTROL)	1		
3	(*****)	PIPING,WINCH (4TON SELF)	1		
4	(*****)	ELEC.ASSY (SELF,S-RADIO CONTROL)	1		
	(*****)	ELEC.ASSY (KYOKUTO RADICON)	1		
5	(*****)	PLATE ASSY.NAME (ACC.,CLUTCH,SL WINCH)	1		
7	(*****)	HOOK (SELF, 4TONX1-PART LINE)	1		
10	(*****)	OPE.ASSY,CONT.VALVE (SL WINCH,S-RADICON)	1		
11	(*****)	RADIO CONTROL (KIT:MITSUMI)	1		
	36806520000	PARTS ASSY,RADIO CONTROLLER (8CH)	1		

www.AutoEPC.com

TM-ZR360 41102310070A FRAME/SL,MANUAL,HOOK-IN  
PF1010332-00 WINCH (SELF 4TONX1, F-RADICON,CRANE:E)

1	マウント,ウインチ MOUNT,WINCH
2	オペ .ASSY,クラッチ OPE.ASSY,CLUTCH
3	パイピング,ウインチ PIPING,WINCH
4	ハイセンASSY ELEC.ASSY
5	プレートASSY,ネーム PLATE ASSY,NAME
7	フック HOOK



**TM-ZR360 41102310070A FRAME/SL,MANUAL,HOOK-IN**

Pos No.	Parts No	Parts Name	Qty	Unit	Technical Da
1	(***** )	MOUNT,WINCH (4T SELF)	1		
2	(***** )	OPE.ASSY,CLUTCH (SL WINCH,RADIO CONTROL)	1		
3	(***** )	PIPING,WINCH (4TON SELF)	1		
4	(***** )	ELEC.ASSY (SL,F-RADIO CONTROL/SWITCH)	1		
5	(***** )	PLATE ASSY.NAME (ACC.,CLUTCH,SL WINCH)	1		
7	(***** )	HOOK (SELF, 4TONX1-PART LINE)	1		

www.AutoEPC.com

TM-ZR360 41102310070A FRAME/SL,MANUAL,HOOK-IN  
PF1010334-00 WINCH (SELF 3TONX1, F-RADICON,CRANE:E)

1	マウント,ウインチ MOUNT,WINCH
2	オペ .ASSY,クラッチ OPE.ASSY,CLUTCH
3	パイピング,ウインチ PIPING,WINCH
4	ハイセンASSY ELEC.ASSY
5	プレートASSY,ネーム PLATE ASSY,NAME
7	フック HOOK

**TM-ZR360 41102310070A FRAME/SL,MANUAL,HOOK-IN**

Pos No.	Parts No	Parts Name	Qty	Unit	Technical Da
1	(***** )	MOUNT,WINCH (3T SELF)	1		
2	(***** )	OPE.ASSY,CLUTCH (SL WINCH,RADIO CONTROL)	1		
3	(***** )	PIPING,WINCH (3TON SELF)	1		
4	(***** )	ELEC.ASSY (SL,F-RADIO CONTROL/SWITCH)	1		
5	(***** )	PLATE ASSY.NAME (ACC.,CLUTCH,SL WINCH)	1		
7	(***** )	HOOK (SELF, 3TONX1-PART LINE)	1		

www.AutoEPC.com

TM-ZR360 41102310070A FRAME/SL, MANUAL, HOOK-IN  
 PF1010361-00 WINCH (DRUM FREE)

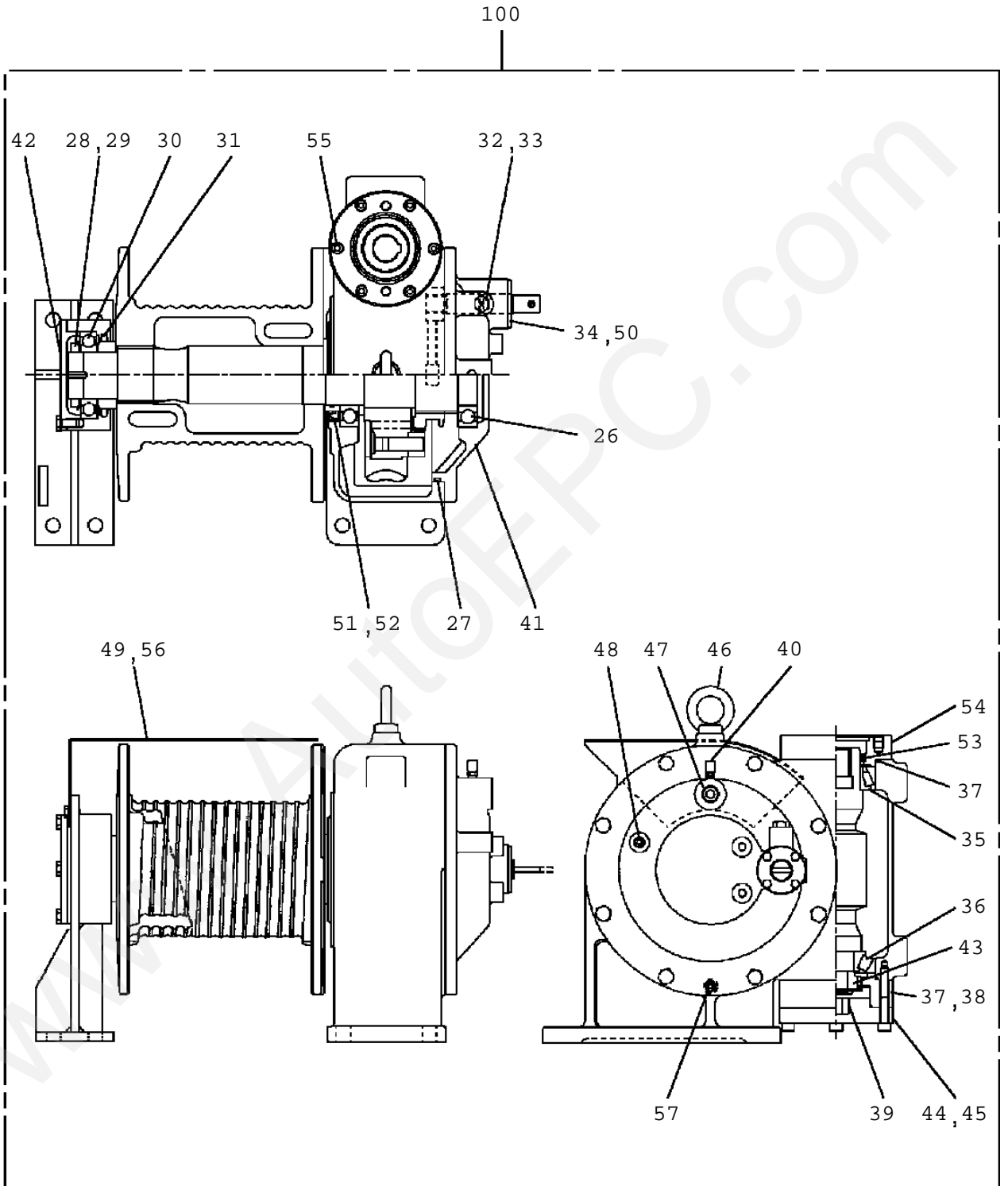
指示番号 KEY NO.	ウインチ (ドラムフリー) WINCH (DRUM FREE)
1	ウインチ WINCH
3	パイピング, ウインチ PIPING, WINCH
4	ハイセンASSY ELEC. ASSY
5	プレートASSY, ネーム (ドラムフリー) PLATE ASSY, NAME (DRUM FREE)
6	プレートASSY, ネーム (1部ラインオペ.) PLATE ASSY, NAME (1-PART LINE OPE.)
7	ディテクタ, ディソータリ ウィンド DETECTOR, DISORDERLY WIND
8	ガイド, ロープ GUIDE, ROPE
9	ディテクタ, オーバ ウィンド DETECTOR, OVER WIND
10	フック HOOK

**TM-ZR360 41102310070A FRAME/SL, MANUAL, HOOK-IN**

Pos No.	Parts No	Parts Name	Qty	Unit	Technical Da
1	(*****)	WINCH (DRUM FREE,OPTION)	1		
3	(*****)	PIPING,WINCH (DRUM FREE,OPTION)	1		
4	(*****)	ELEC.ASSY (DRUM FREE)	1		
5	(*****)	PLATE ASSY,NAME (DRUM FREE)	1		
6	(*****)	PLATE ASSY,NAME (1-PART LINE OPE.)	1		
7	(*****)	DETECTOR,DISORDERLY WIND (DRUM FREE)	1		
8	(*****)	GUIDE,ROPE (RETAINING WIRE ROPE,1-PART)	1		
9	(*****)	DETECTOR,OVER WINDING (RETAINING WIRE RO	1		
10	36091920000	HOOK (DRUM FREE,OPTION)	1		

www.AutoEPC.com

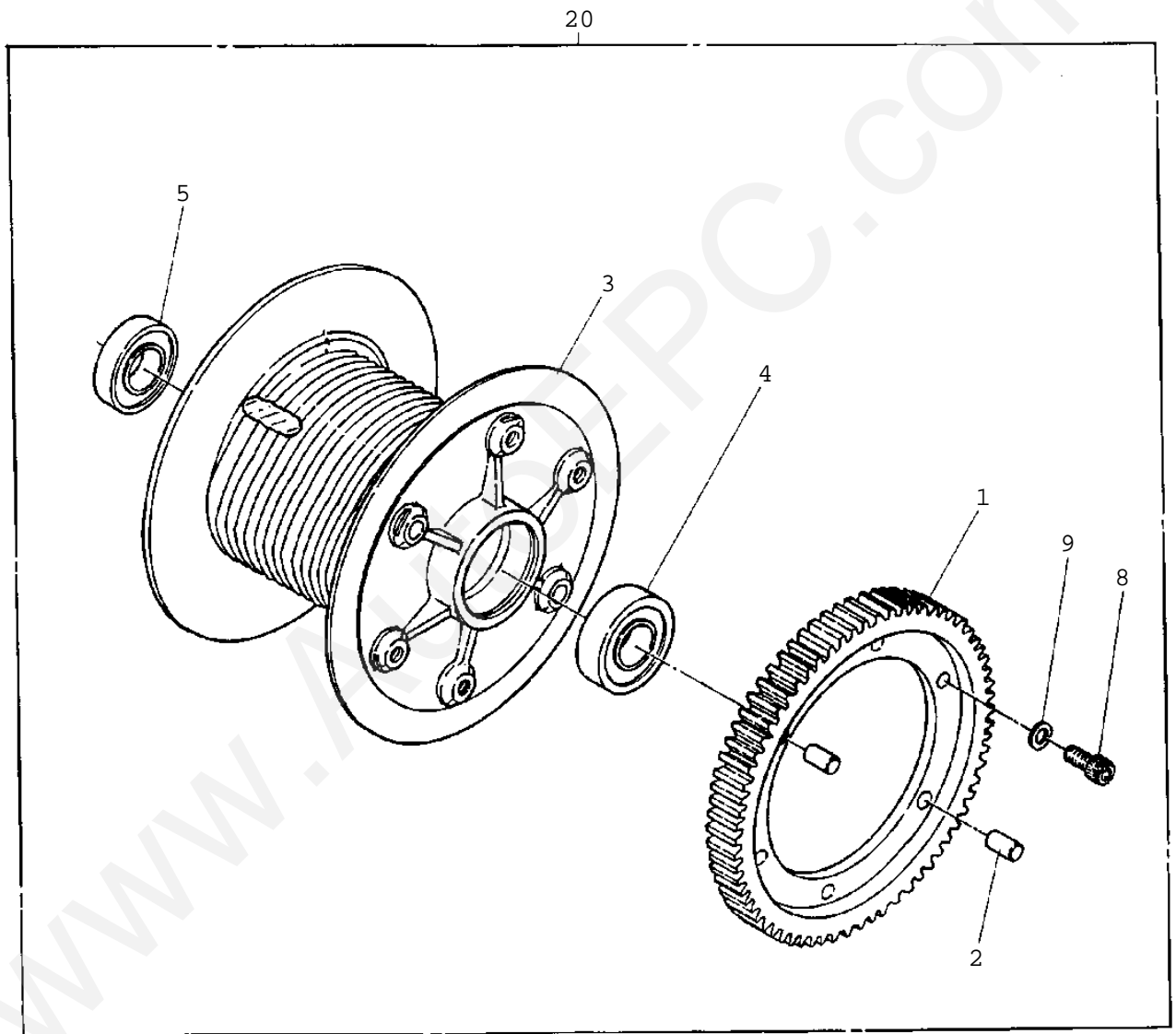
TM-ZR360 41102310070A FRAME/SL, MANUAL, HOOK-IN  
PF1010363-00 WINCH (SELF)



**TM-ZR360 41102310070A FRAME/SL, MANUAL, HOOK-IN**

Pos No.	Parts No	Parts Name	Qty	Unit	Technical Data	Serial No (Start)
26	80500006215	BEARING, BALL	2			
27	91002926000	O-RING	1		1B G260	
28	80561100120	NUT	1		AN12	
29	80562100120	WASHER, PLAIN	1		AW12	
30	80500006212	BEARING, BALL	1			
31	36072805020	SEAL, OIL	1			
32	36072805040	SPRING	1			
33	80560006000	BALL, STEEL	1		6	
34	36072805080	SEAL, OIL	1			
35	36072805050	BEARING	1			
36	36072805060	BEARING	1			
37	91002910000	O-RING	2		1B G100	
38	91002908500	O-RING	1		1B G85	
39	36072805070	SPRING	1			
40	50737400030	BREATHER, AIR	1			
41	90101212025	BOLT	8		M12X25	
42	90101210020	BOLT	4		M10X20	
43	80601110300	RING, RITAINING	1		S30	
44	90172110070	BOLT, HEXAGON SOCKET	4		M10X70	
45	90172110040	BOLT, HEXAGON SOCKET	4		M10X40	
46	90151200160	BOLT, EYE	1		M16	
47	80316030080	PLUG	1		PT1/2	
48	80316030040	PLUG	2		PT1/4	
49	90101208015	BOLT	2		M8X15	
50	90101206015	BOLT	4		M6X15	
51	91002907500	O-RING	1		1B G75	
52	36072805030	SEAL, OIL	1			
53	91206060001	SEAL, OIL	1			
55	90172208030	BOLT, HEXAGON SOCKET	6			
56	90302040801	WASHER, SPRING	2		8	
57	91002801400	O-RING	1		1B P14	
100	36072800000	WINCH (SELF)	1			

TM-ZR360 41102310070A FRAME/SL, MANUAL, HOOK-IN  
PF1020004-01 DRUM, WINCH





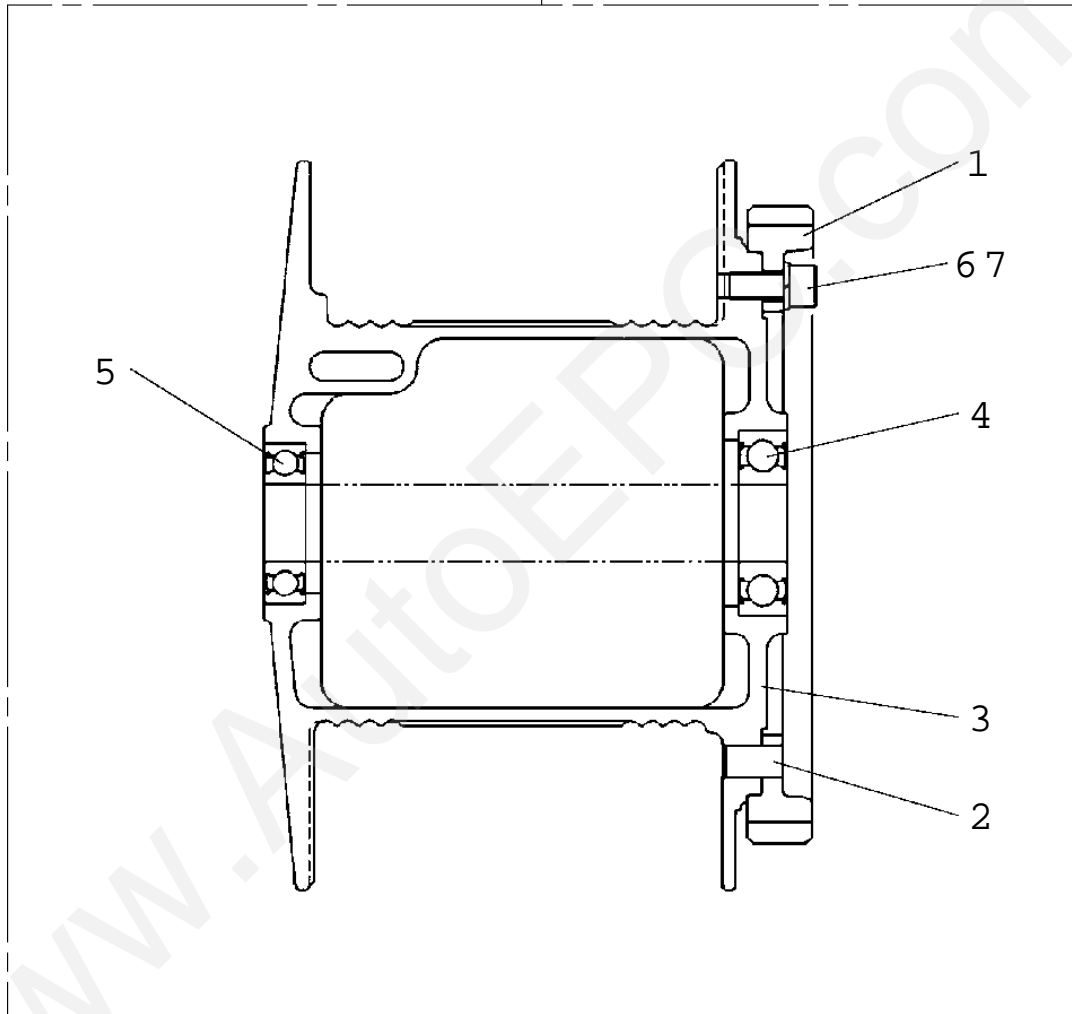
**TM-ZR360 41102310070A FRAME/SL, MANUAL, HOOK-IN**

Pos No.	Parts No	Parts Name	Qty	Unit	Technical Data	Serial No (Start)
1	31310237510	GEAR, SPUR	1			
2	31310005010	PIN	2			
3	31310617510	DRUM	1			
4	80516006306	BEARING, BALL	1			
5	80516006206	BEARING, BALL	1			
8	31310617520	BOLT, HEXAGON SOCKET	4		M10X25	
9	90302041001	WASHER, SPRING	4		10	
20	31310610100	DRUM, WINCH	1			

www.AutoEPC.com

TM-ZR360 41102310070A FRAME/SL, MANUAL, HOOK-IN  
PF1020035-00 DRUM, WINCH

100

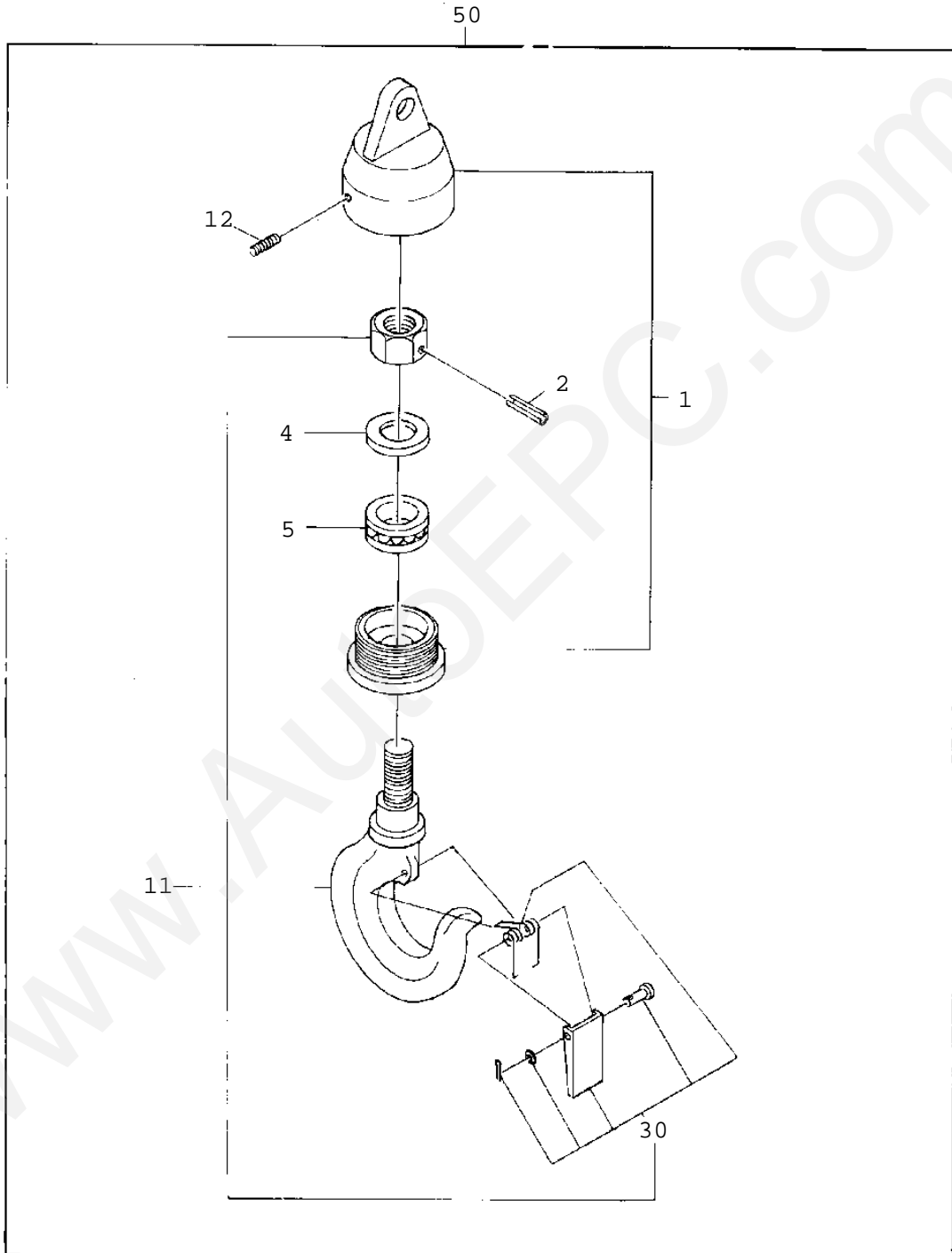


**TM-ZR360 41102310070A FRAME/SL, MANUAL, HOOK-IN**

Pos No.	Parts No	Parts Name	Qty	Unit	Technical Data	Serial No (Start)
1	31310617530	GEAR, SPUR	1			
2	31310617540	PIN	2			
3	31310617550	DRUM	1			
4	80516006306	BEARING, BALL	1			
5	80516006206	BEARING, BALL	1			
6	90172410025	BOLT, HEXAGON SOCKET	4		M10X25	
7	90302041001	WASHER, SPRING	4		10	
100	31310610300	DRUM, WINCH	1			

www.AutoEPC.com

TM-ZR360 41102310070A FRAME/SL, MANUAL, HOOK-IN  
PF1050063-01 HOOK (DRUM FREE, OPTION)

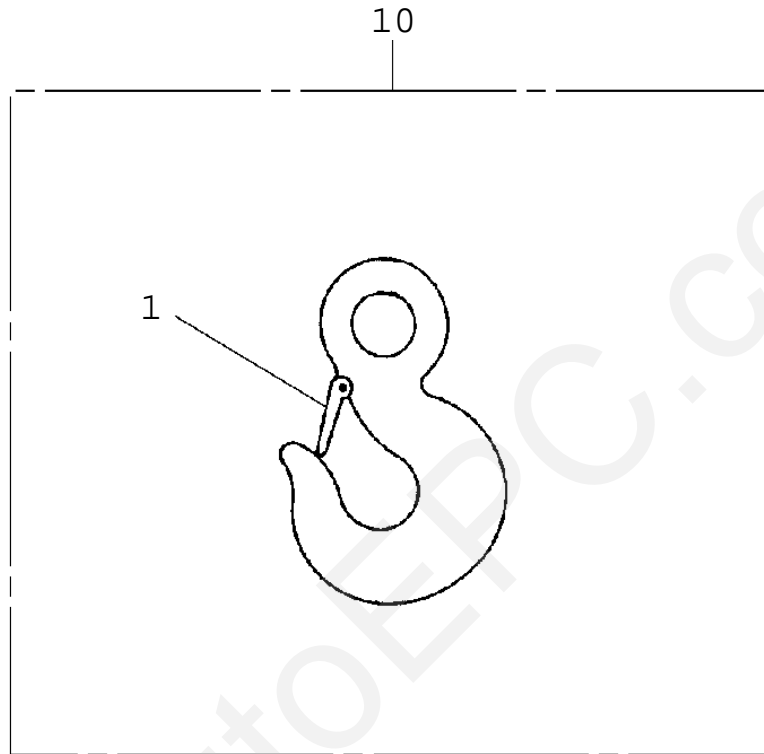


**TM-ZR360 41102310070A FRAME/SL,MANUAL,HOOK-IN**

Pos No.	Parts No	Parts Name	Qty	Unit	Technical Data	Serial No (Star
1	36091929520	BODY ASSY	1			
2	80720104028	PIN,SPRING	1		4X28	
4	90303071801	WASHER,PLAIN	1		18	
5	12231505000	BEARING,PLAIN	1			
11	36091929510	HOOK ASSY	1			
12	90710008160	SCREW,SET	1		M8X16	
30	36094049510	STOPPER ASSY	1			
50	36091920000	HOOK (DRUM FREE,OPTION)	1			

www.AutoEPC.com

TM-ZR360 41102310070A FRAME/SL, MANUAL, HOOK-IN  
PF1050126-01 HOOK



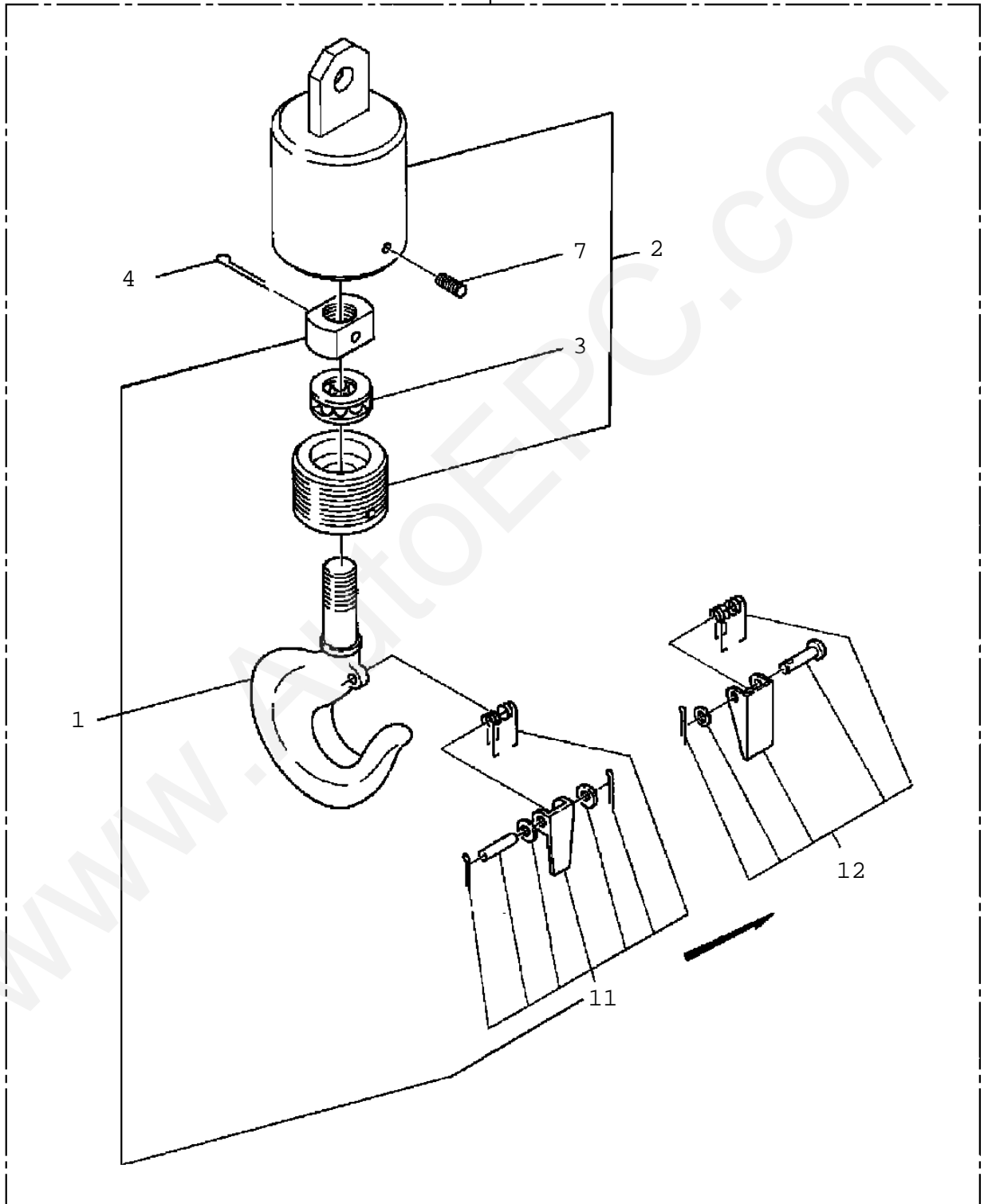
**TM-ZR360 41102310070A FRAME/SL, MANUAL, HOOK-IN**

Pos No.	Parts No	Parts Name	Qty	Unit	Technical Data	Serial No (Start)	Serial :
1	53037260010	STOPPER ASSY	1				
10	53037260000	HOOK	1				

www.AutoEPC.com

TM-ZR360 41102310070A FRAME/SL, MANUAL, HOOK-IN  
PF1050161-03 HOOK (1-PART LINE ,OPTION)

20



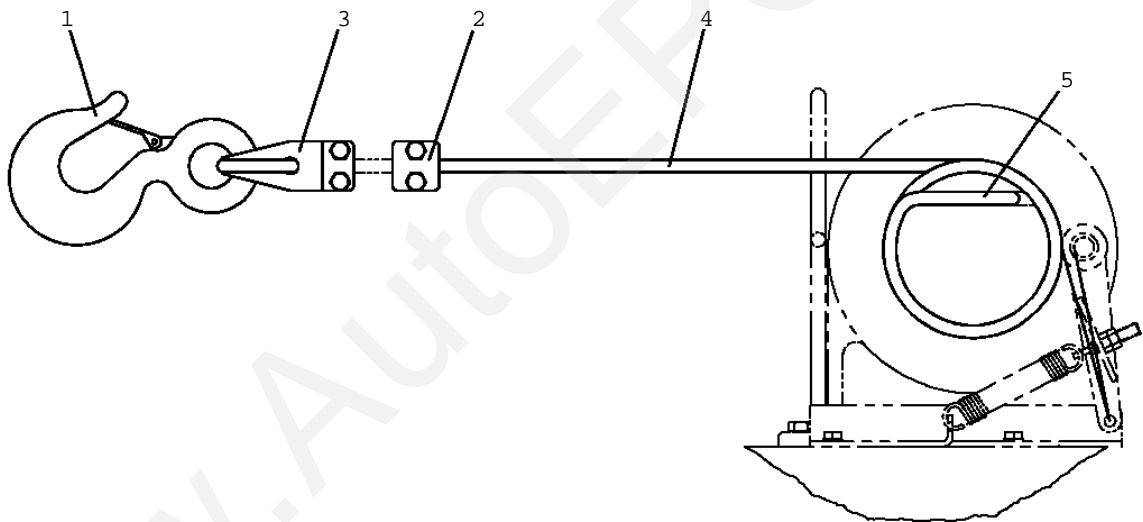


**TM-ZR360 41102310070A FRAME/SL,MANUAL,HOOK-IN**

Pos No.	Parts No	Parts Name	Qty	Unit	Technical Data	Serial No (S
1	14211695513	HOOK ASSY	1			
2	36090239510	BODY ASSY	1			
3	80500051205	BEARING,BALL	1			
4	80136350060	PIN,SPLIT	1		5X60	
7	90710008200	SCREW,SET	1		M8X20	
12	36094049510	STOPPER ASSY	1			
20	36090230000	HOOK (1-PART LINE ,OPTION)	1			

www.AutoEPC.com

TM-ZR360 41102310070A FRAME/SL, MANUAL, HOOK-IN  
PF1050337-00 HOOK (SELF, 4TONX1-PART LINE)

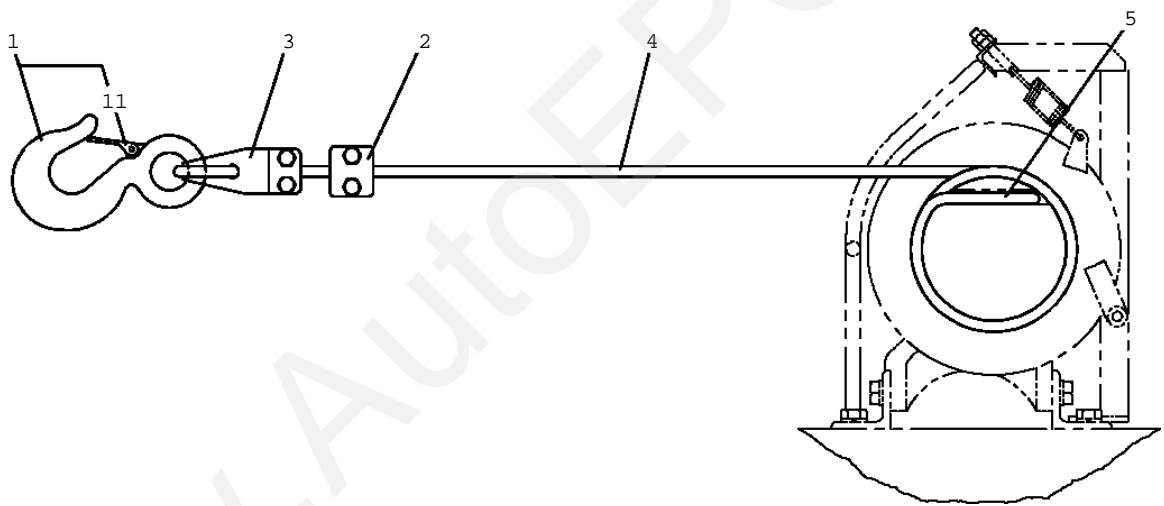


**TM-ZR360 41102310070A FRAME/SL,MANUAL,HOOK-IN**

Pos No.	Parts No	Parts Name	Qty	Unit	Technical Data	Serial No (Start)	Serial No
1	53037260000	HOOK	1				
2	83151211401	CLIP	1				
3	83151111401	CLIP	1				
4	37001806200	ROPE,WIRE	1		14X30M		
5	37002600230	WEDGE	1		14		

www.AutoEPC.com

TM-ZR360 41102310070A FRAME/SL, MANUAL, HOOK-IN  
PF1050338-01 HOOK (SELF, 3TONX1-PART LINE)

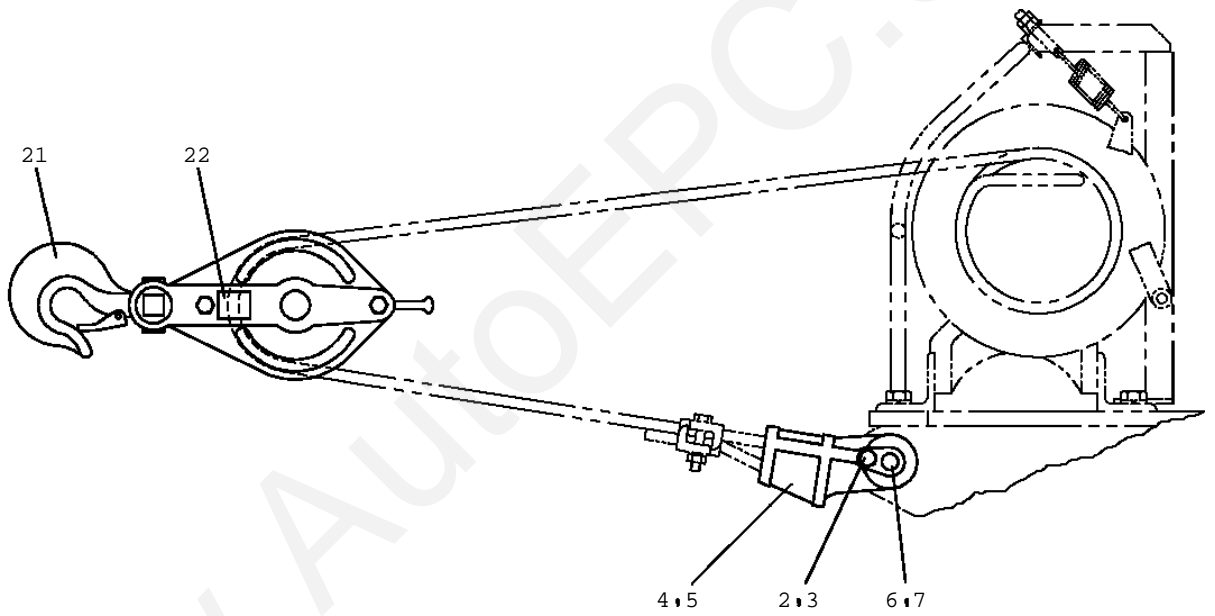


**TM-ZR360 41102310070A FRAME/SL,MANUAL,HOOK-IN**

Pos No.	Parts No	Parts Name	Qty	Unit	Technical Data	Serial
1	36090610000	HOOK (WITH STOPPER)	1			
2	83151211201	CLIP	1			
3	83151111201	CLIP	1			
4	37001806210	ROPE,WIRE	1		12X27M	
5	37002600220	WEDGE	1		12.5	
11	36090615010	STOPPER ASSY (WITH SPRING & PIN)	1			

www.AutoEPC.com

TM-ZR360 41102310070A FRAME/SL, MANUAL, HOOK-IN  
PF1050342-01 HOOK (SELF, 3TONX2-PART LINE)



**TM-ZR360 41102310070A FRAME/SL,MANUAL,HOOK-IN**

Pos No.	Parts No	Parts Name	Qty	Unit	Technical Data	Serial No (Start)	Serial
2	90171110014	BOLT	1		M10X14		
3	90302041001	WASHER,SPRING	1		10		
4	37002600480	SOCKET,ROPE	1		12.5		
5	37002600220	WEDGE	1		12.5		
6	37000124510	PIN	1				
7	80136363040	PIN,SPLIT	1		6.3X40		
21	36090710000	HOOK (5TON)	1				
22	31478211100	PLATE,NAME	1				

www.AutoEPC.com

TM-ZR360 41102310070A FRAME/SL,MANUAL,HOOK-IN  
PF1050447-00 HOOK

1	フック HOOK
2	プレートASSY,ネーム PLATE ASSY,NAME



**TM-ZR360 41102310070A FRAME/SL,MANUAL,HOOK-IN**

Pos No.	Parts No	Parts Name	Qty	Unit	Technical Data	Serial No
1	36090230000	HOOK (1-PART LINE ,OPTION)	1			
2	(***** *****)	PLATE ASSY,NAME (HOOK)	1			

www.AutoEPC.com

TM-ZR360 41102310070A FRAME/SL,MANUAL,HOOK-IN  
PF1050464-00 HOOK (1-PART LINE)

1	フック HOOK
2	プレートASSY,ネーム PLATE ASSY,NAME
3	ディテクタ,オーバ ワインド DETECTOR,OVER WIND

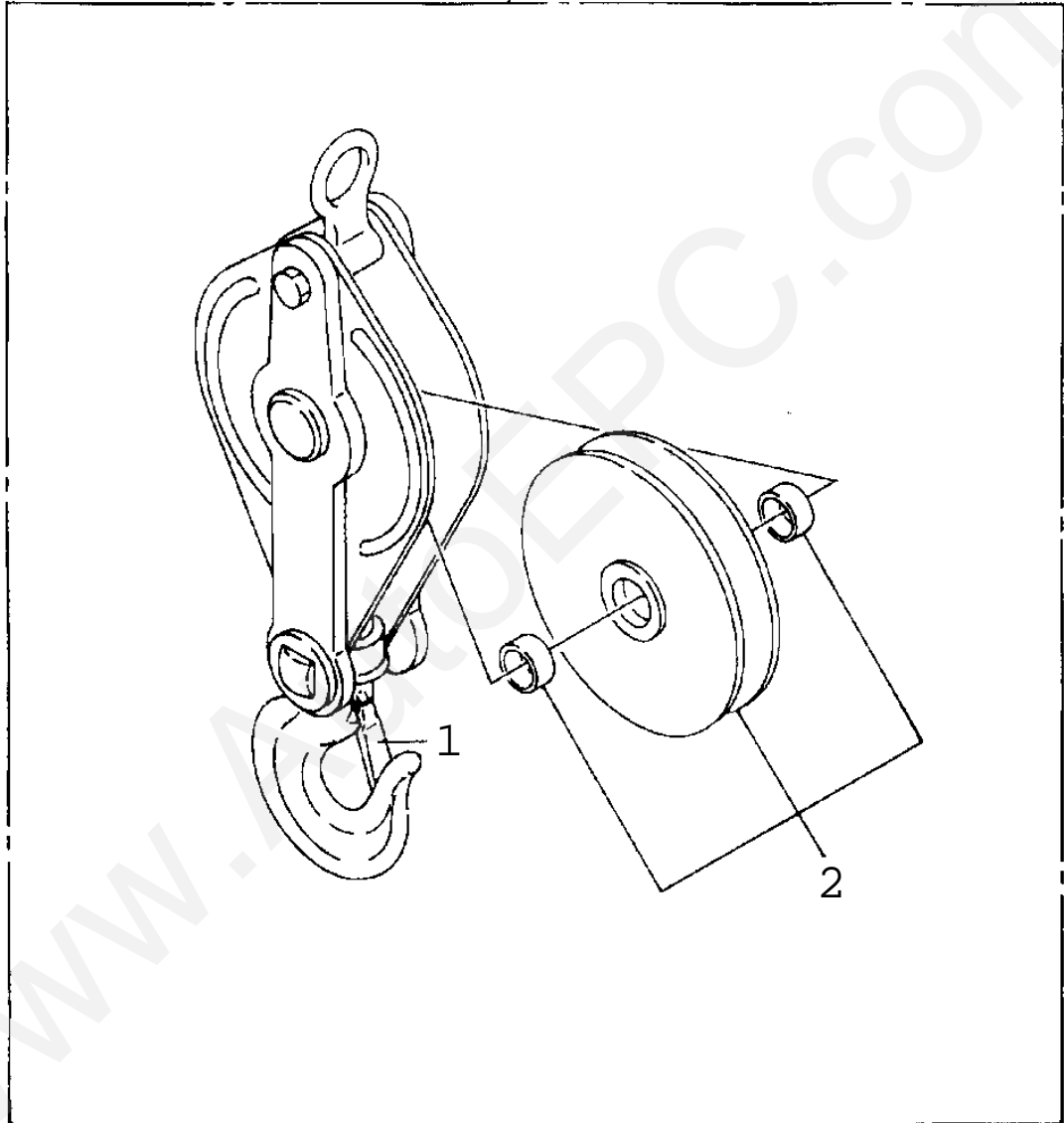
**TM-ZR360 41102310070A FRAME/SL,MANUAL,HOOK-IN**

Pos No.	Parts No	Parts Name	Qty	Unit	Technical Data	Se
1	(***** )	HOOK	1			
2	(***** )	PLATE ASSY,NAME (1-PART LINE OPE.)	1			
3	(***** )	DETECTOR,OVER WINDING	1			

www.AutoEPC.com

TM-ZR360 41102310070A FRAME/SL, MANUAL, HOOK-IN  
PF1050540-02 HOOK (5TON)

10

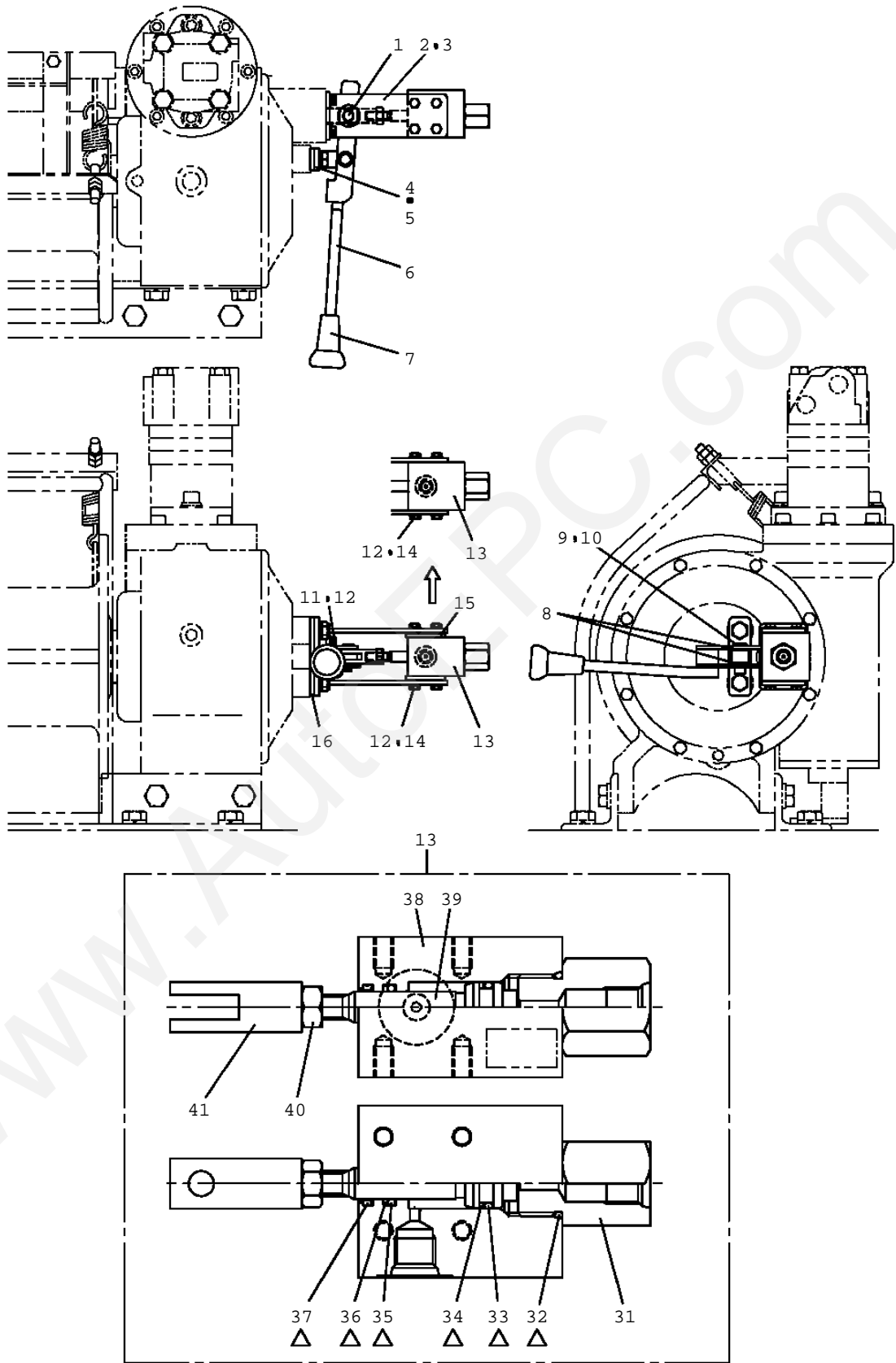


**TM-ZR360 41102310070A FRAME/SL,MANUAL,HOOK-IN**

Pos No.	Parts No	Parts Name	Qty	Unit	Technical Data	Serial No (Start)	Serial :
1	36090715020	STOPPER ASSY	1				
2	36090715010	SHEAVE ASSY	1				
10	36090710000	HOOK (5TON)	1				

www.AutoEPC.com

TM-ZR360 41102310070A FRAME/SL, MANUAL, HOOK-IN  
 PF1160066-02 OPE.ASSY, CLUTCH (SL WINCH, RADIO CONTROL)

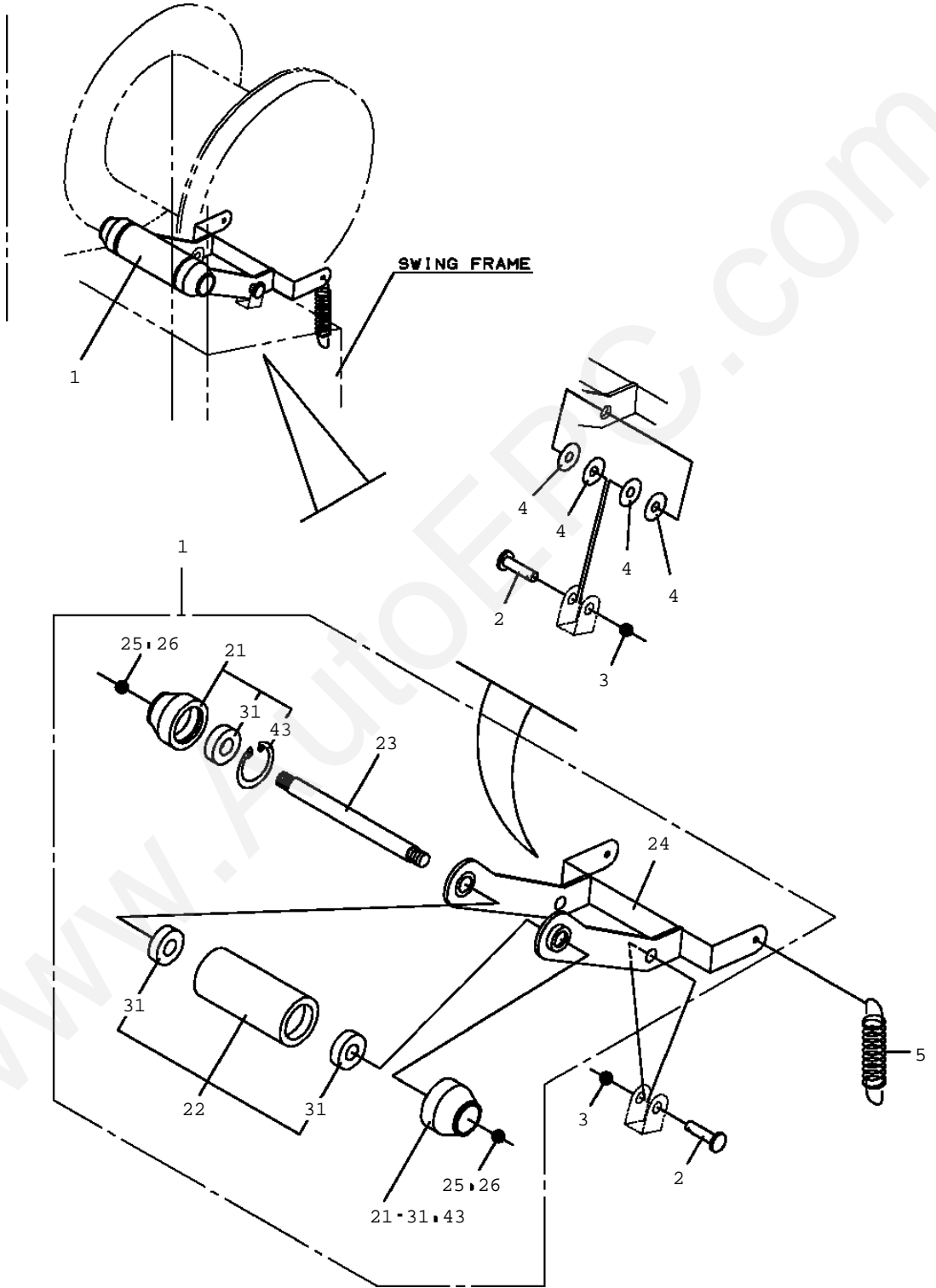


△:PACKING SET KEY NO. 50 (KEY NO. 32, 33, 34, 35, 36, 37)

**TM-ZR360 41102310070A FRAME/SL, MANUAL, HOOK-IN**

Pos No.	Parts No	Parts Name	Qty	Unit	Technical Data	Serial No (Start)
1	31331420101	SUPPORT	1			
2	37000107210	PIN	1			
3	80620210080	PIN, SNAP	1			
4	90186210020	BOLT, FLANGE	2		M10X20	
5	31331420200	SUPPORT	1			
6	31331420300	LEVER	1			
7	31323330100	KNOB (BLACK)	1			
8	31322224200	PLATE	2		L=1	
9	37000105750	PIN	1			
10	80136332020	PIN, SPLIT	1		3.2X20	
11	90172106020	BOLT, HEXAGON SOCKET	4		M6X20	
12	90302040601	WASHER, SPRING	12		6	
13	36052750001	CYLINDER ASSY	1			
14	90171106012	BOLT	8		M6X12	
16	37000575690	PLATE	1			
31	37000928340	JOINT	1			
32	91002801800	O-RING	1		1B P18	
33	91002801200	O-RING	1		1B P12	
34	91411001200	RING, BACKUP	1		P12	
35	91002801000	O-RING	1		1B P10	
36	91411001000	RING, BACKUP	1		TIP10A	
37	91650001000	SEAL, DUST	1			
38	36052751001	CYLINDER	1			
39	36052752000	ROD	1			
40	90209200800	NUT	1		M8	
41	37005400270	END	1			
50	36052759900	PACKING SET	1		10X16	

TM-ZR360 41102310070A FRAME/SL, MANUAL, HOOK-IN  
PF1180062-01 DETECTOR, DISORDERLY WIND (DRUM FREE)



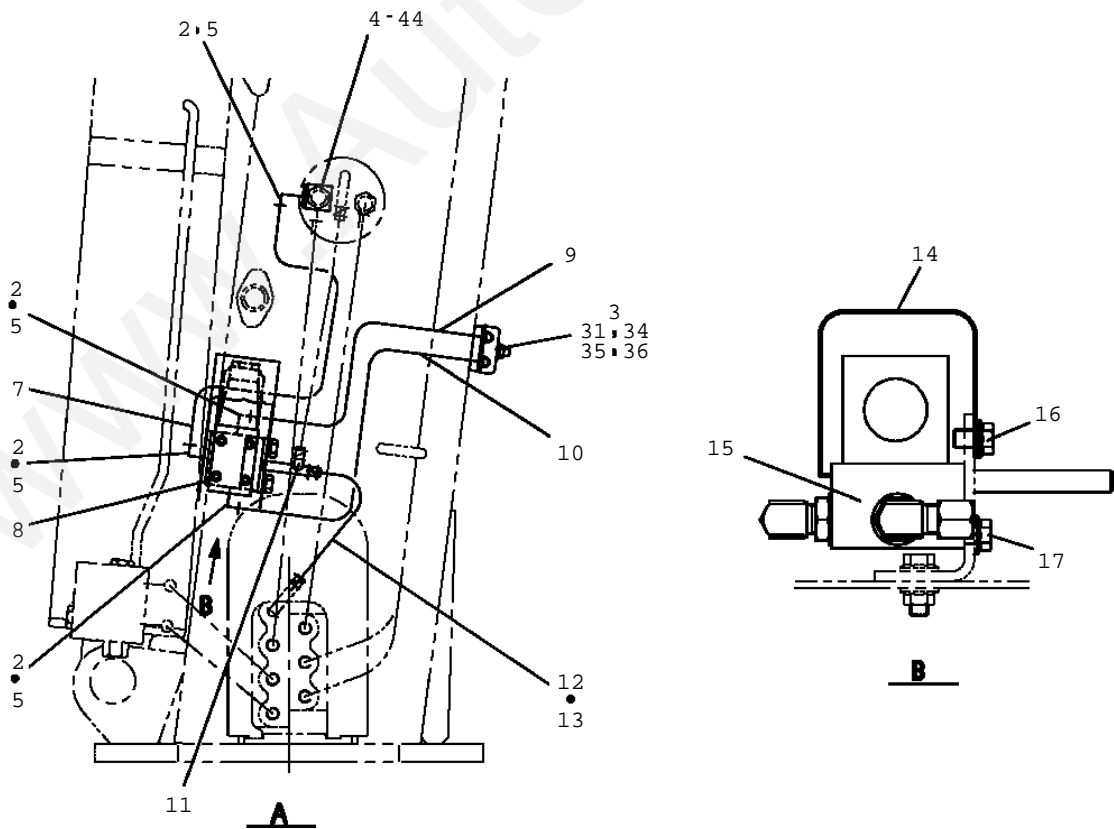
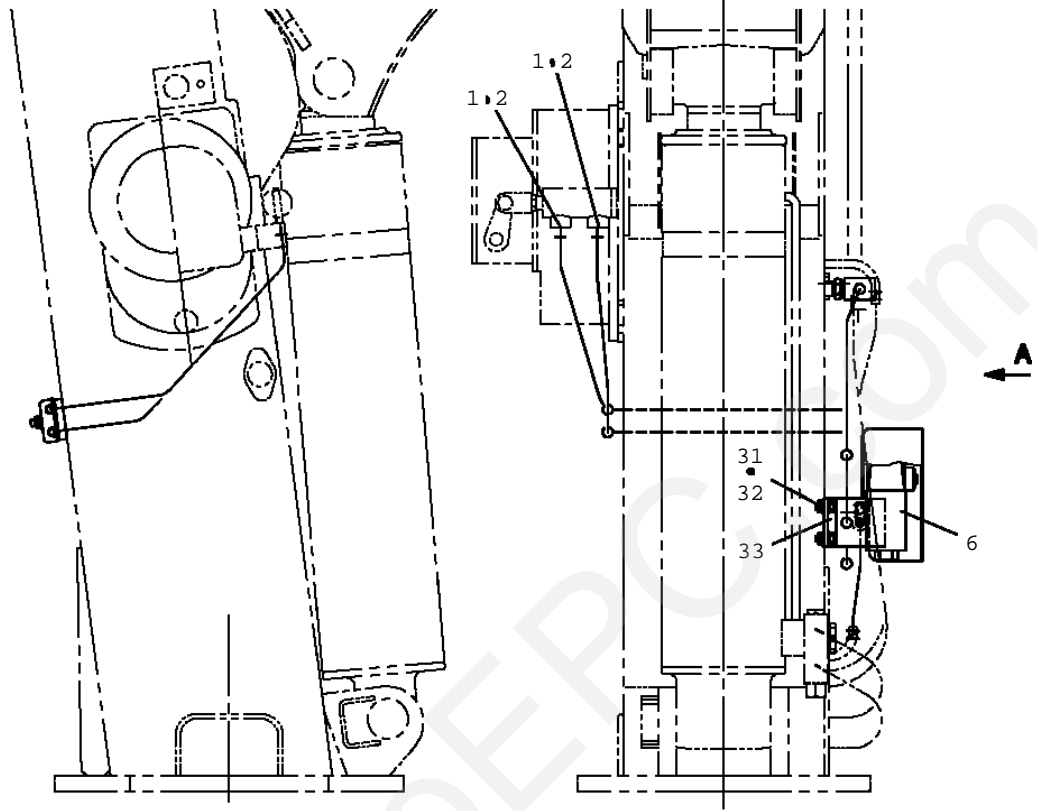


**TM-ZR360 41102310070A FRAME/SL,MANUAL,HOOK-IN**

Pos No.	Parts No	Parts Name	Qty	Unit	Technical Data	Serial No (Start)	Serial No (End)
1	31440220100	ROLLER ASSY	1				
2	37000105740	PIN	2				
3	80136332020	PIN,SPLIT	2		3.2X20		
4	90303071001	WASHER,PLAIN	4		10		
5	37001300000	SPRING	2				
21	37001107470	ROLLER ASSY	2				
22	37001107690	ROLLER ASSY	1				
23	31440220300	PIN	1				
24	31440220150	SUPPORT	1				
25	31440150350	WASHER,PLAIN	2				
26	90286001007	NUT	2		M10 P=1.25		
31	80516006001	BEARING,BALL	4				
43	80602110280	RING,RITAINING	2		R28		

www.AutoEPC.com

TM-ZR360 41102310070A FRAME/SL, MANUAL, HOOK-IN  
PF1200274-00 PIPING, WINCH (DRUM FREE, OPTION)

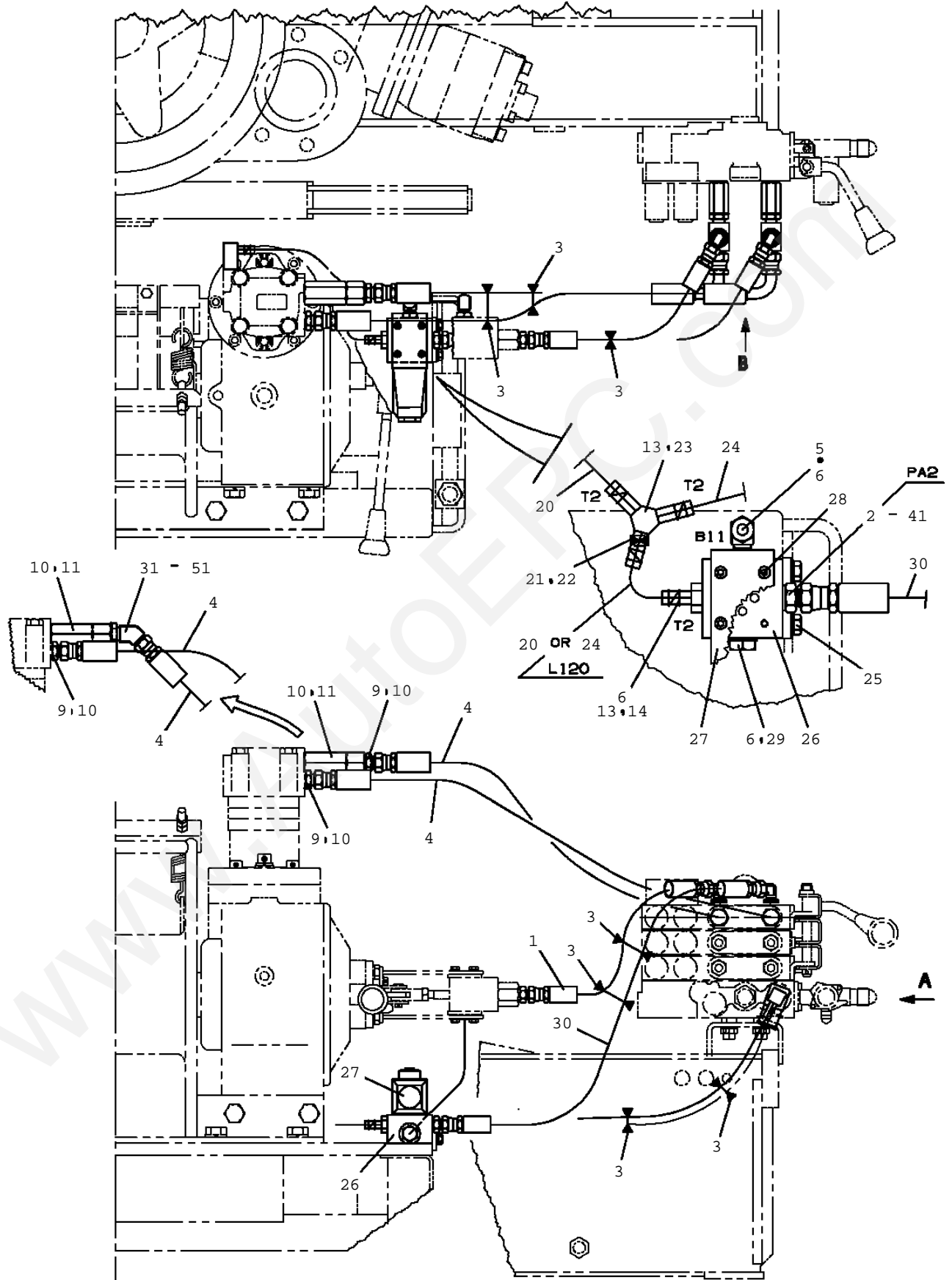


**TM-ZR360 41102310070A FRAME/SL, MANUAL, HOOK-IN**

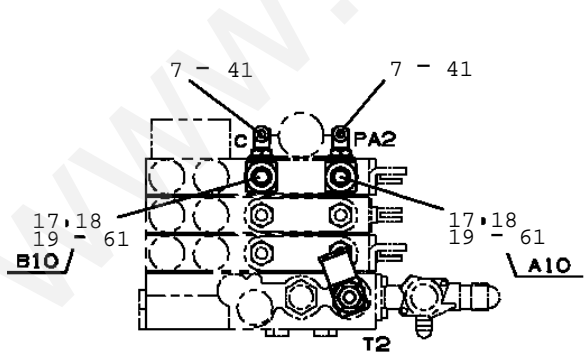
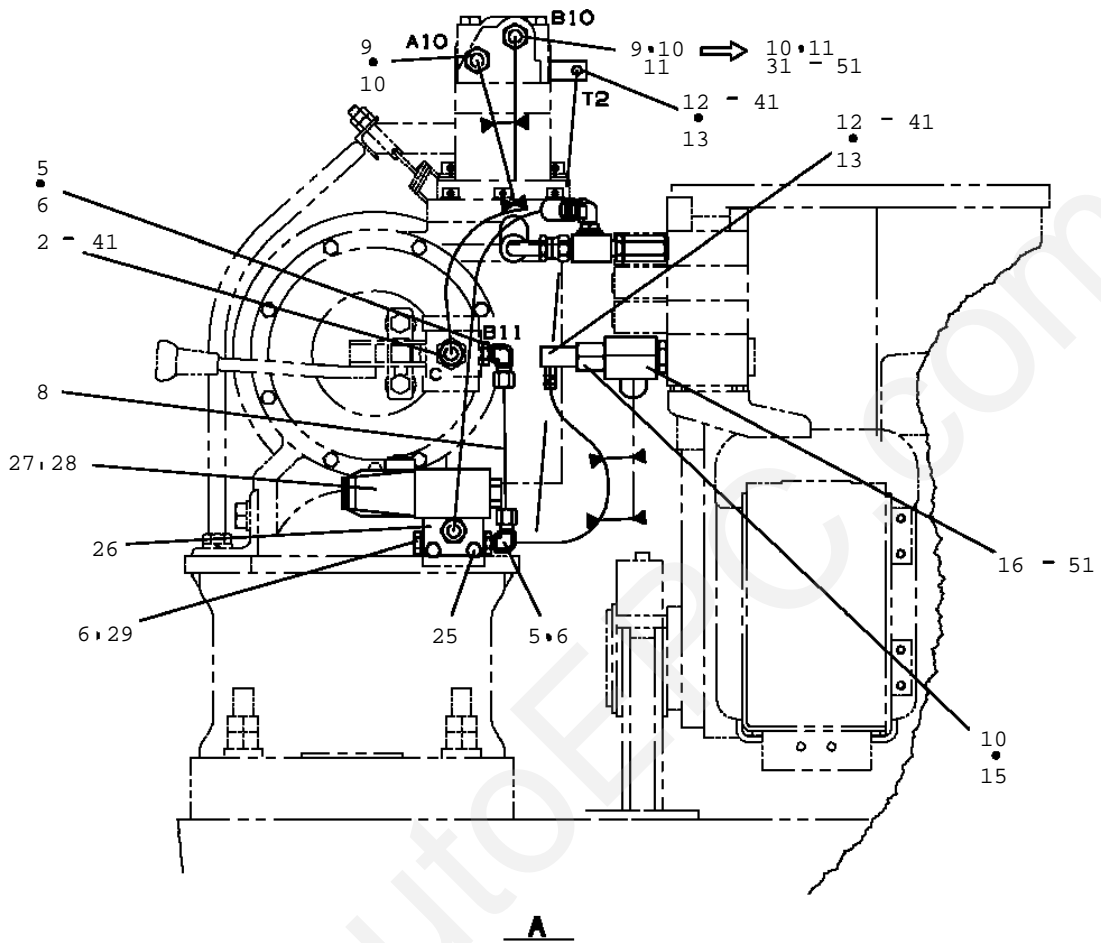
Pos No.	Parts No	Parts Name	Qty	Unit	Technical Data	Serial No (Start)
1	80302120040	FITTING	2		POA08PF1/4	
2	91002801100	O-RING	6		1B P11	
3	37000312580	SLEEVE	2			
4	37000924420	JOINT	1			
5	80303210040	FITTING, ELBOW	4			
6	36642760000	VALVE, SOLENOID	1			
7	81408000081	PIPE, STEEL	1	M	8X1.2T	
8	90131505045	BOLT, HEXAGON SOCKET	4		M5X45	
9	81408000081	PIPE, STEEL	1	M	8X1.2T	
10	81408000081	PIPE, STEEL	1	M	8X1.2T	
11	31473743200	JOINT	1			
12	37002511730	HOSE	1		L=225	
13	91803600200	CLIP	2		D=13-20	
14	31473743300	COVER	1			
15	31473743100	JOINT	1			
16	90186208010	BOLT, FLANGE	2		M8X10	
17	90186208014	BOLT, FLANGE	2		M8X14	
44	91002801400	O-RING	1		1B P14	

www.AutoEPC.com

TM-ZR360 41102310070A FRAME/SL, MANUAL, HOOK-IN  
PF1200309-03 PIPING, WINCH (3TON SELF)

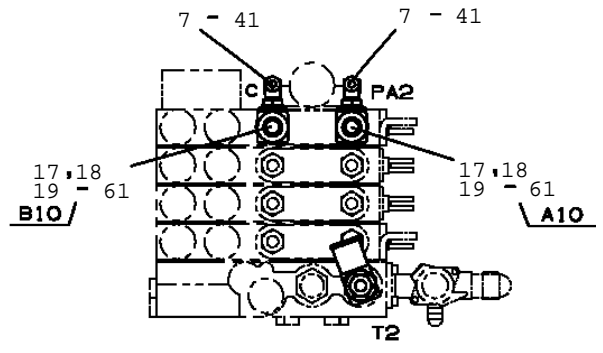


TM-ZR360 41102310070A FRAME/SL, MANUAL, HOOK-IN  
 PF1200309-03 PIPING, WINCH (3TON SELF)



連弁3: 本体がラジコン仕様の場合

**B**



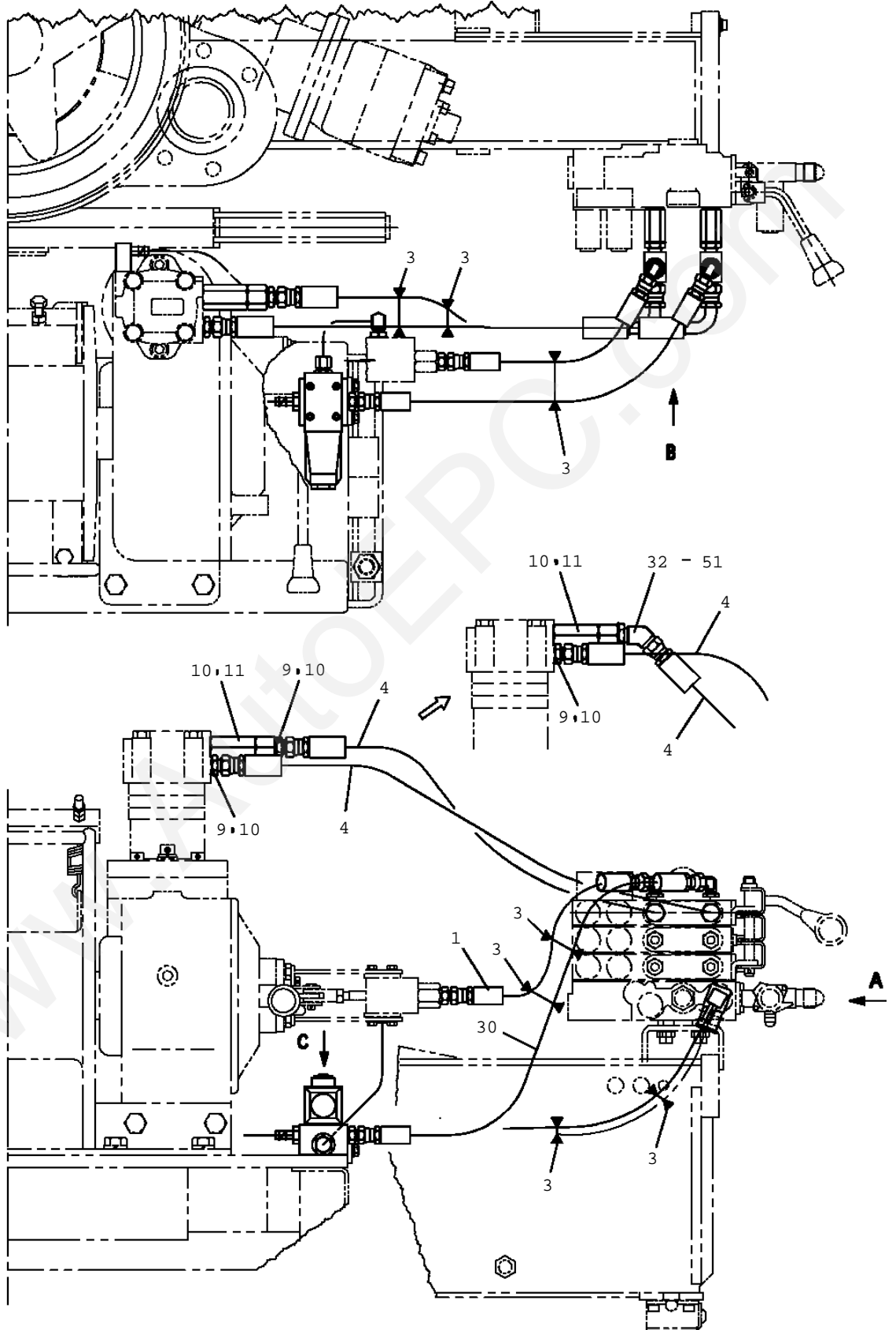
連弁4: 本体がマニュアル仕様の場合

**B**

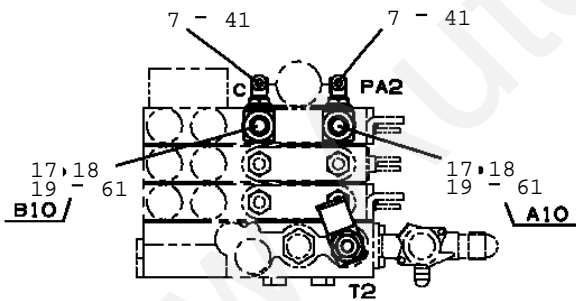
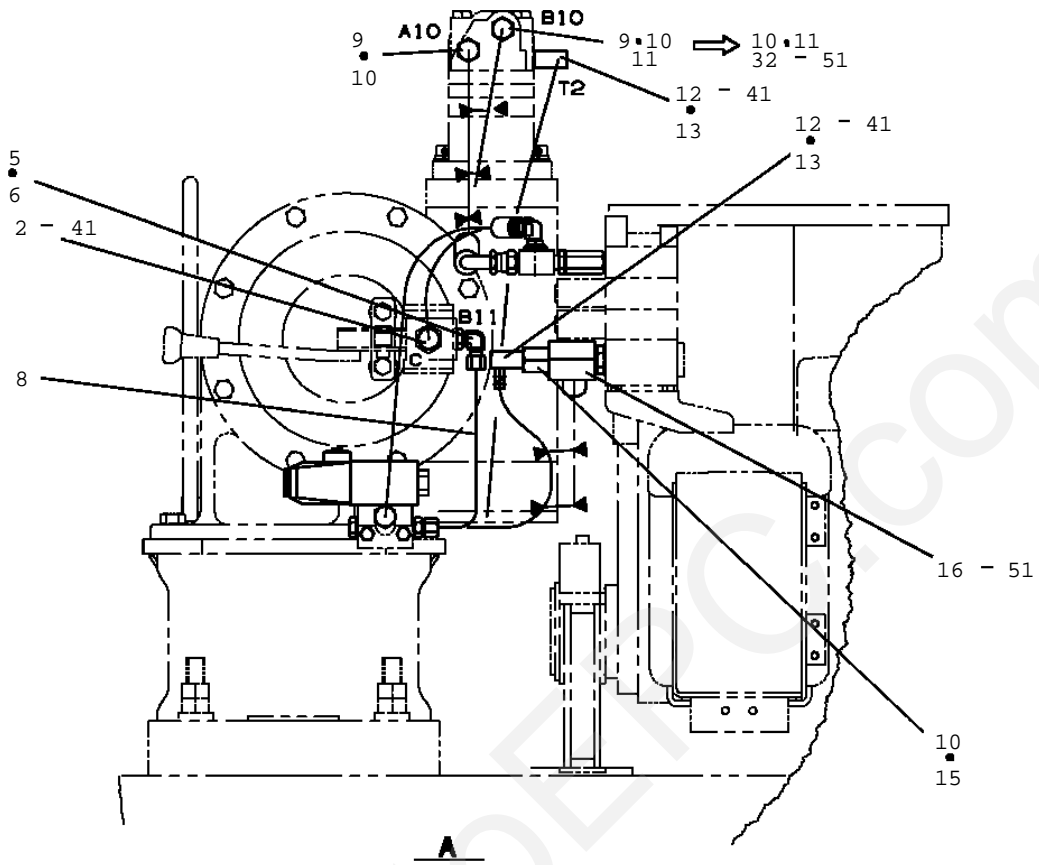
**TM-ZR360 41102310070A FRAME/SL, MANUAL, HOOK-IN**

Pos No.	Parts No	Parts Name	Qty	Unit	Technical Data	Serial No (Start)
1	37002470640	HOSE	1		L=450	
2	80491002020	JOINT (WITH O-RING)	2			
3	91810132530	FASTENER	7			
4	37002469130	HOSE	2		L=720	
5	80303210040	FITTING, ELBOW	2			
6	91002801100	O-RING	4		1B P11	
7	80430620400	JOINT	2			
8	31645690100	PIPE	1			
9	80400160130	JOINT	1		S, G1/2-G3/8	
10	91002801800	O-RING	3		1B P18	
11	36625150000	VALVE, CHECK	1			
12	80400160190	JOINT (WITH O-RING)	2			
13	91803880070	CLIP	6		D=13.1-16.2	
14	31644591300	JOINT	1			
15	37000923950	JOINT	1			
16	80400160205	JOINT (WITH O-RING)	1			
17	37000925030	JOINT	2		PF3/8-PF3/8	
18	91002801400	O-RING	2		1B P14	
19	80400160180	JOINT (WITH O-RING)	2			
20	37002510120	HOSE	1		L=1200	
21	91810130240	FASTENER	1			
22	91850310405	CLAMP (BLACK)	1			
23	37000805050	JOINT	1			
24	37002503910	HOSE	1		L=975	
25	90186208020	BOLT, FLANGE	2		M8X20	
26	31645691000	JOINT	1			
27	36645920000	VALVE, SOLENOID	1			
28	90172105045	BOLT, HEXAGON SOCKET	4		M5X45	
29	80316070040	PLUG	1		PF1/4	
30	37002464540	HOSE	1		L=600	
31	80481404030	JOINT (WITH O-RING)	1		G1/2-F3/8	
41	91002801100	O-RING	6		1B P11	
51	91002801800	O-RING	2		1B P18	
61	91002801400	O-RING	2		1B P14	

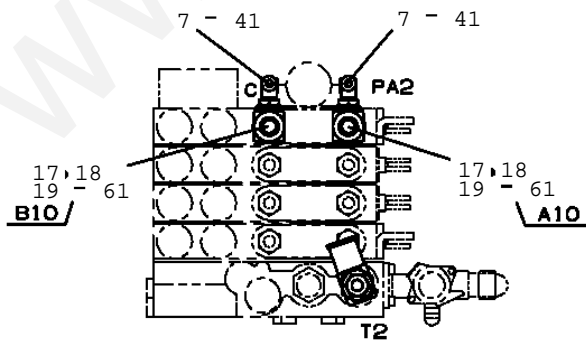
TM-ZR360 41102310070A FRAME/SL, MANUAL, HOOK-IN  
PF1200311-02 PIPING, WINCH (4TON SELF)



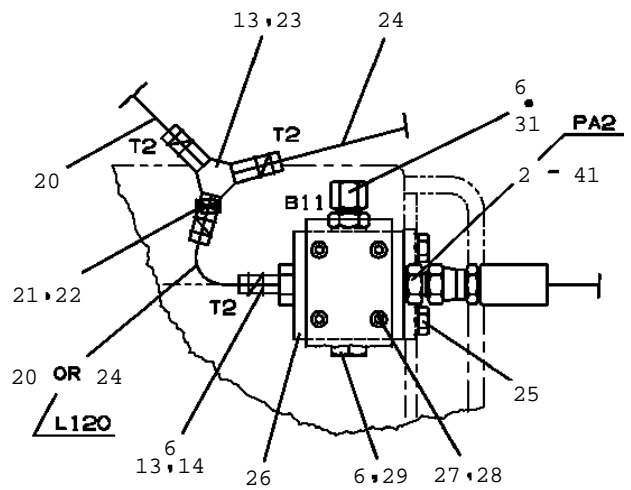
TM-ZR360 41102310070A FRAME/SL, MANUAL, HOOK-IN  
 PF1200311-02 PIPING, WINCH (4TON SELF)



連弁3：本体がラジコン仕様の場合



連弁4：本体がマニュアル仕様の場合



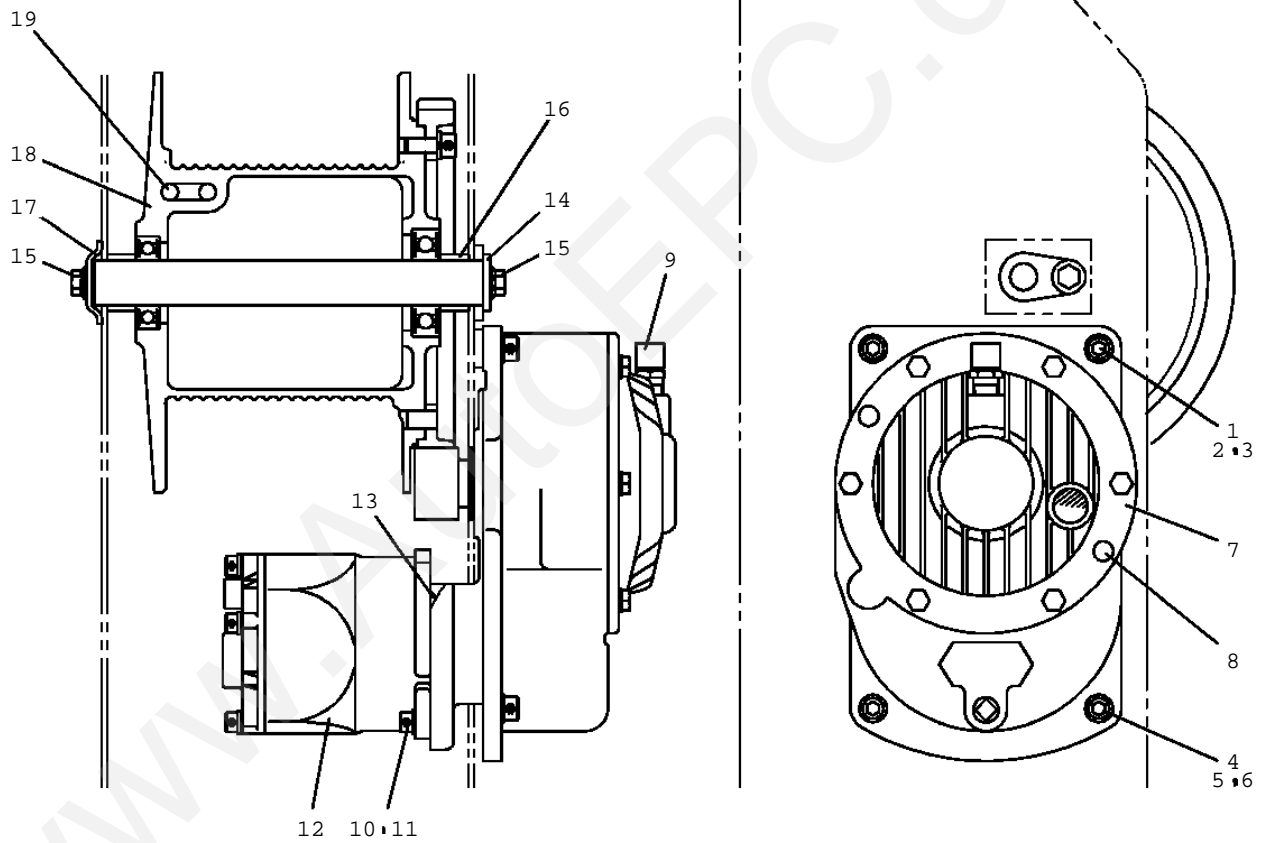
C



**TM-ZR360 41102310070A FRAME/SL, MANUAL, HOOK-IN**

Pos No.	Parts No	Parts Name	Qty	Unit	Technical Data	Serial No (Start)
1	37002470640	HOSE	1		L=450	
2	80491002020	JOINT (WITH O-RING)	2			
3	91810132530	FASTENER	7			
4	37002469130	HOSE	2		L=720	
5	80303210040	FITTING, ELBOW	1			
6	91002801100	O-RING	4		1B P11	
7	80430620400	JOINT	2			
8	31645810100	PIPE	1			
9	80400160130	JOINT	1		S, G1/2-G3/8	
10	91002801800	O-RING	3		1B P18	
11	36625150000	VALVE, CHECK	1			
12	80400160190	JOINT (WITH O-RING)	2			
13	91803880070	CLIP	6		D=13.1-16.2	
14	31644591300	JOINT	1			
15	37000923950	JOINT	1			
16	80400160205	JOINT (WITH O-RING)	1			
17	37000925030	JOINT	2		PF3/8-PF3/8	
18	91002801400	O-RING	2		1B P14	
19	80400160180	JOINT (WITH O-RING)	2			
20	37002510120	HOSE	1		L=1200	
21	91810130240	FASTENER	1			
22	91850310405	CLAMP (BLACK)	1			
23	37000805050	JOINT	1			
24	37002503910	HOSE	1		L=975	
25	90186208020	BOLT, FLANGE	2		M8X20	
26	31645691000	JOINT	1			
27	36645920000	VALVE, SOLENOID	1			
28	90172105045	BOLT, HEXAGON SOCKET	4		M5X45	
29	80316070040	PLUG	1		PF1/4	
30	37002464540	HOSE	1		L=600	
31	80302120040	FITTING	1		POA08PF1/4	
32	80481404030	JOINT (WITH O-RING)	1		G1/2-F3/8	
41	91002801100	O-RING	6		1B P11	
51	91002801800	O-RING	2		1B P18	
61	91002801400	O-RING	2		1B P14	

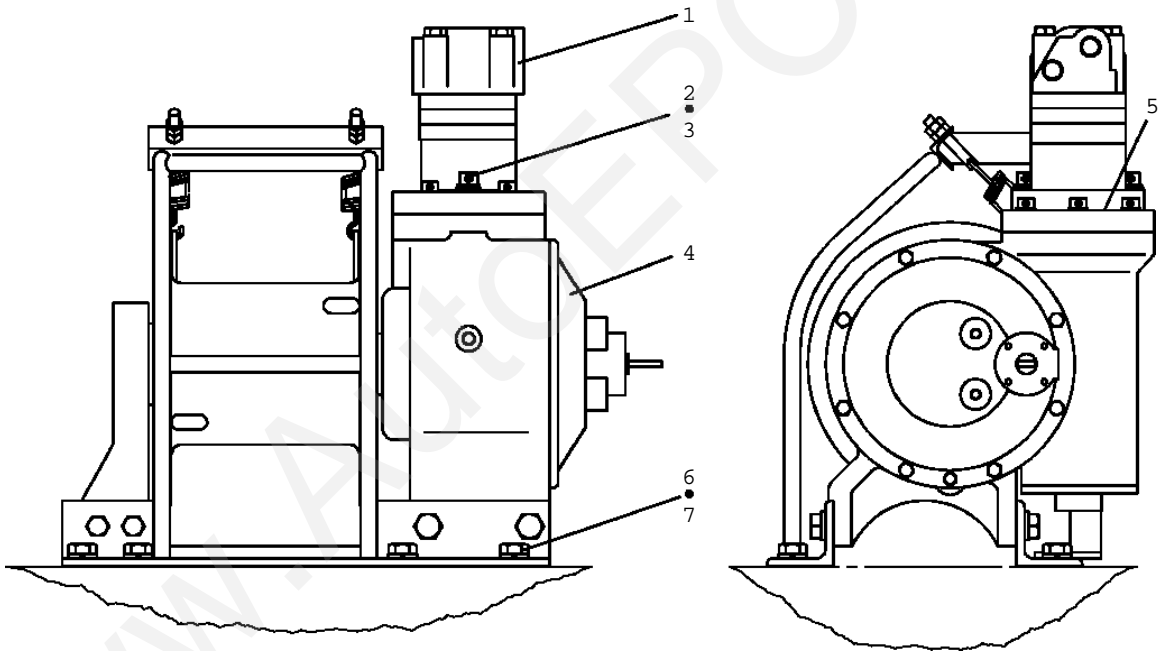
TM-ZR360 41102310070A FRAME/SL, MANUAL, HOOK-IN  
PF1400303-03 MOUNT, WINCH



**TM-ZR360 41102310070A FRAME/SL,MANUAL,HOOK-IN**

Pos No.	Parts No	Parts Name	Qty	Unit	Technical Data	Serial No (Star
1	37001500000	BOLT	1			
2	90302041201	WASHER,SPRING	1		12	
3	90303101201	WASHER,PLAIN	1		12	
4	90172110028	BOLT,HEXAGON SOCKET	3		M10X28	
5	90302041001	WASHER,SPRING	3		10	
6	90303071001	WASHER,PLAIN	3		10	
7	36073430000	WINCH (OOKUBO)	1			
	36073810000	WINCH ASSY (Y.G.TEC)	1			
	36072620000	WINCH (HARTYS)	1			
8	82401800080	PLUG (FOR M8)	2			
9	31310610500	BREATHER,AIR	1			
10	90172108025	BOLT,HEXAGON SOCKET	2		M8X25	
11	90302040801	WASHER,SPRING	2		8	
12	36663100000	MOTOR,HYDRAULIC (WINCH)	1			
13	91001206000	O-RING	1		1A G60	
14	37000134390	PIN	1			
15	90186210014	BOLT,FLANGE	2		M10X14	
16	37000300350	SPACER	2		L=18.5	
17	31310391000	COVER	1			
18	31310610100	DRUM,WINCH	1			
	31310610300	DRUM,WINCH	1			
19	37002600190	WEDGE	1		8	

TM-ZR360 41102310070A FRAME/SL, MANUAL, HOOK-IN  
PF1400322-00 MOUNT, WINCH (3T SELF)

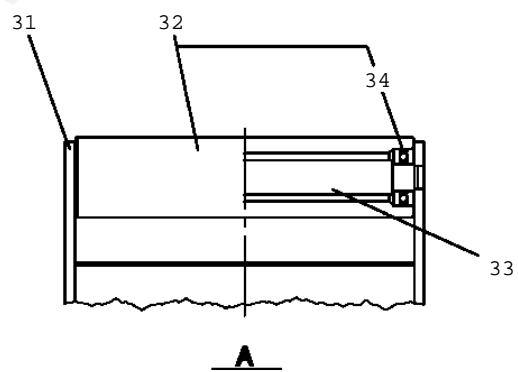
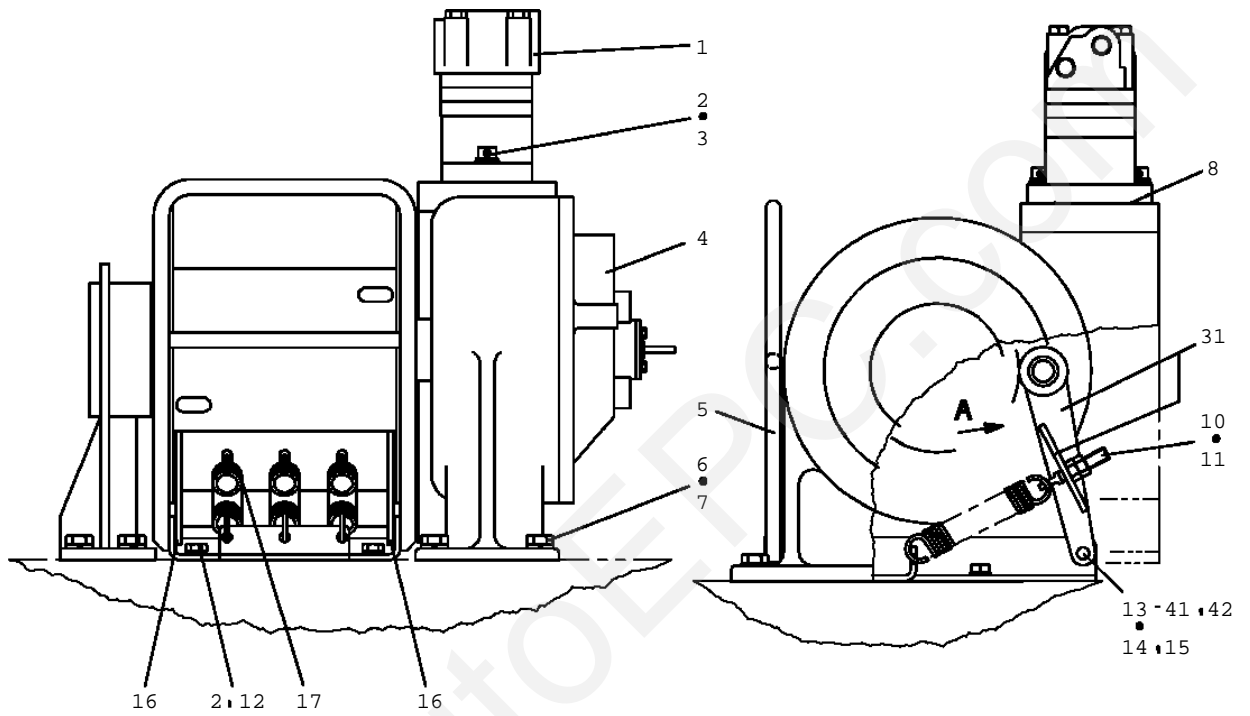


**TM-ZR360 41102310070A FRAME/SL, MANUAL, HOOK-IN**

Pos No.	Parts No	Parts Name	Qty	Unit	Technical Data	Serial No (Start)
1	36662290000	MOTOR, HYDRAULIC	1			
2	90302041201	WASHER, SPRING	2		12	
3	90172112035	BOLT, HEXAGON SOCKET	2		M12X35	
4	36072810000	WINCH (HARTYS)	1			
	36073290000	WINCH (YG.TEC)	1			
5	91000515200	O-RING	1		AS568-152	
6	90171116040	BOLT	8		M16X40	
7	90302041601	WASHER, SPRING	8		16	

www.AutoEPC.com

TM-ZR360 41102310070A FRAME/SL, MANUAL, HOOK-IN  
PF1400323-00 MOUNT, WINCH (4T SELF)

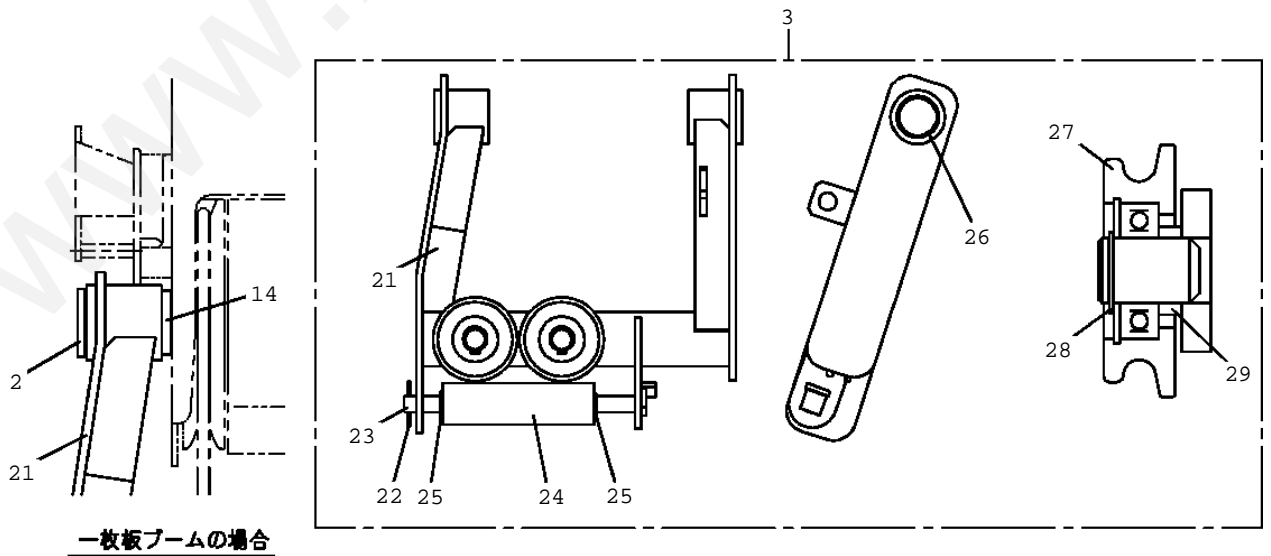
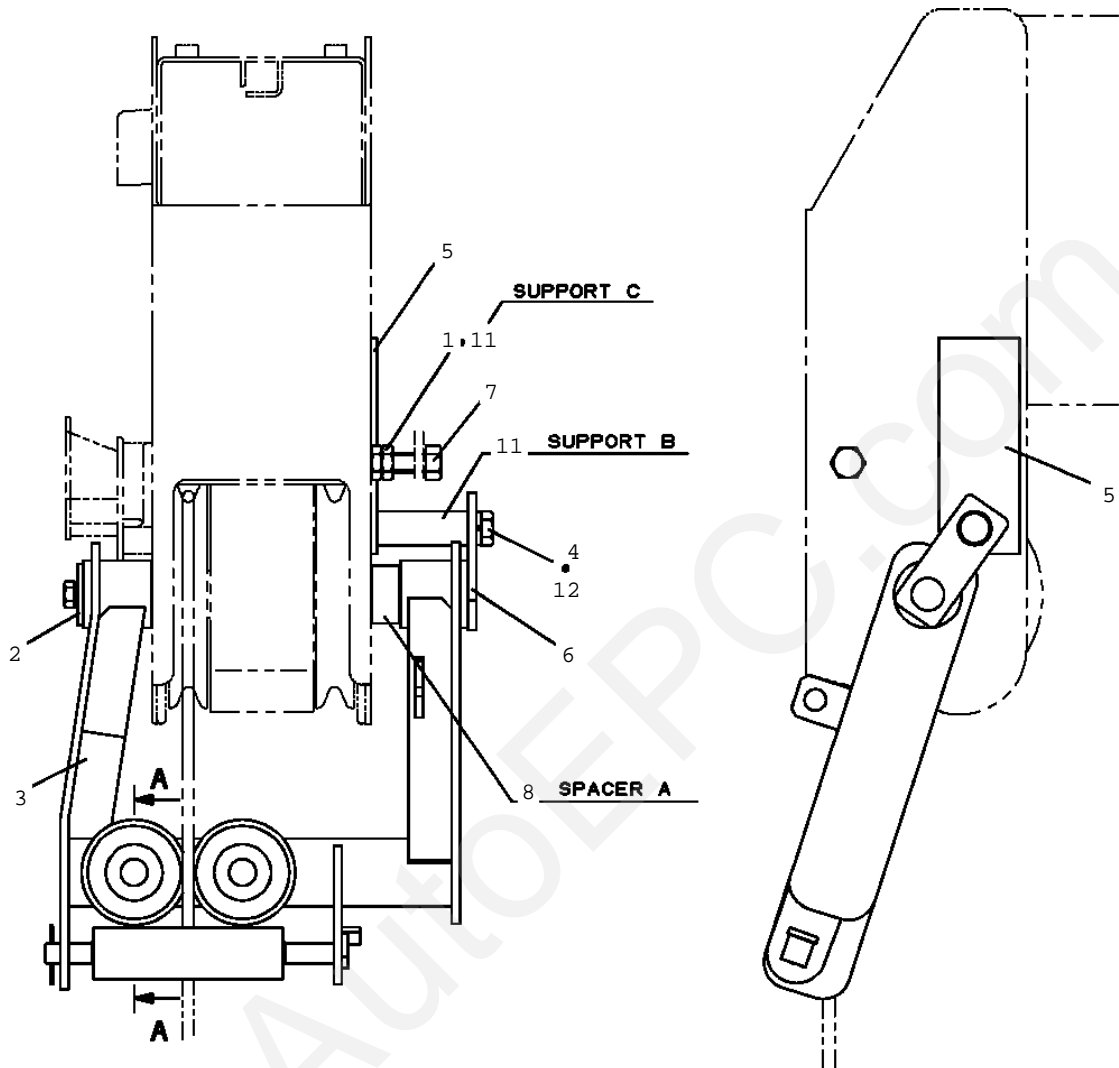


**TM-ZR360 41102310070A FRAME/SL, MANUAL, HOOK-IN**

Pos No.	Parts No	Parts Name	Qty	Unit	Technical Data	Serial No (Start)
1	36662650000	MOTOR, HYDRAULIC	1			
2	90302041201	WASHER, SPRING	6		12	
3	90172112035	BOLT, HEXAGON SOCKET	2		M12X35	
4	36072800000	WINCH (SELF)	1			
5	31311131000	GUARD	1			
6	90171116040	BOLT	8		M16X40	
7	90302041601	WASHER, SPRING	8		16	
8	91000515200	O-RING	1		AS568-152	
10	14124015000	BOLT	3			
11	90201201200	NUT	6		M12	
12	90101212020	BOLT	4		M12X20	
13	37000136790	PIN ASSY	1			
14	90303071201	WASHER, PLAIN	2		12	
15	80136340020	PIN, SPLIT	1		4X20	
16	31322224200	PLATE	2		L=1	
17	37001300250	SPRING	3			
31	31311139520	SUPPORT ASSY	1			
32	31311139510	ROLLER ASSY	1			
33	31311130530	PIN	1			
34	80516006203	BEARING, BALL	2			
41	80136340020	PIN, SPLIT	1		4X20	
42	37000136800	PIN	1			

www.AutoEPC.com

TM-ZR360 41102310070A FRAME/SL, MANUAL, HOOK-IN  
 PG1020003-04 GUIDE, ROPE (RETAINING WIRE ROPE, 1-PART)



一枚板ブームの場合



**TM-ZR360 41102310070A FRAME/SL,MANUAL,HOOK-IN**

Pos No.	Parts No	Parts Name	Qty	Unit	Technical Data	Serial No (Start)	Serial No (End)
1	90203201400	NUT	2		M14		
2	37000574030	PLATE	1				
3	31477171100	GUIDE ASSY	1				
4	90101214020	BOLT	1		M14X20		
5	37000532240	PLATE	1				
6	31471731600	PIN	1				
7	90101214040	BOLT	1		M14X40		
8	37000303800	SPACER	1		L=48		
11	31477171500	SUPPORT	2				
12	90302041401	WASHER,SPRING	1		14		
14	37000304020	SPACER	1		L=6		
21	31477171200	GUIDE	1				
22	80620210160	PIN,SNAP	1				
23	31471731200	PIN	1				
24	37001102960	ROLLER ASSY	1				
25	80601110150	RING,RITAINING	2		15		
26	80804035050	BUSH	2				
27	31471731500	SHEAVE ASSY	2				
28	80601110200	RING,RITAINING	2		S20		
29	37000300240	SPACER	2		L=7		

www.AutoEPC.com

TM-ZR360 41102310070A FRAME/SL, MANUAL, HOOK-IN  
PG1020004-00 GUIDE, ROPE (RETAINING WIRE ROPE)

1	ガイド , ロープ GUIDE, ROPE
2	フック HOOK
3	ディテクタ , オーバ ワインド DETECTOR, OVER WIND
4	プレートASSY , ネーム PLATE ASSY, NAME

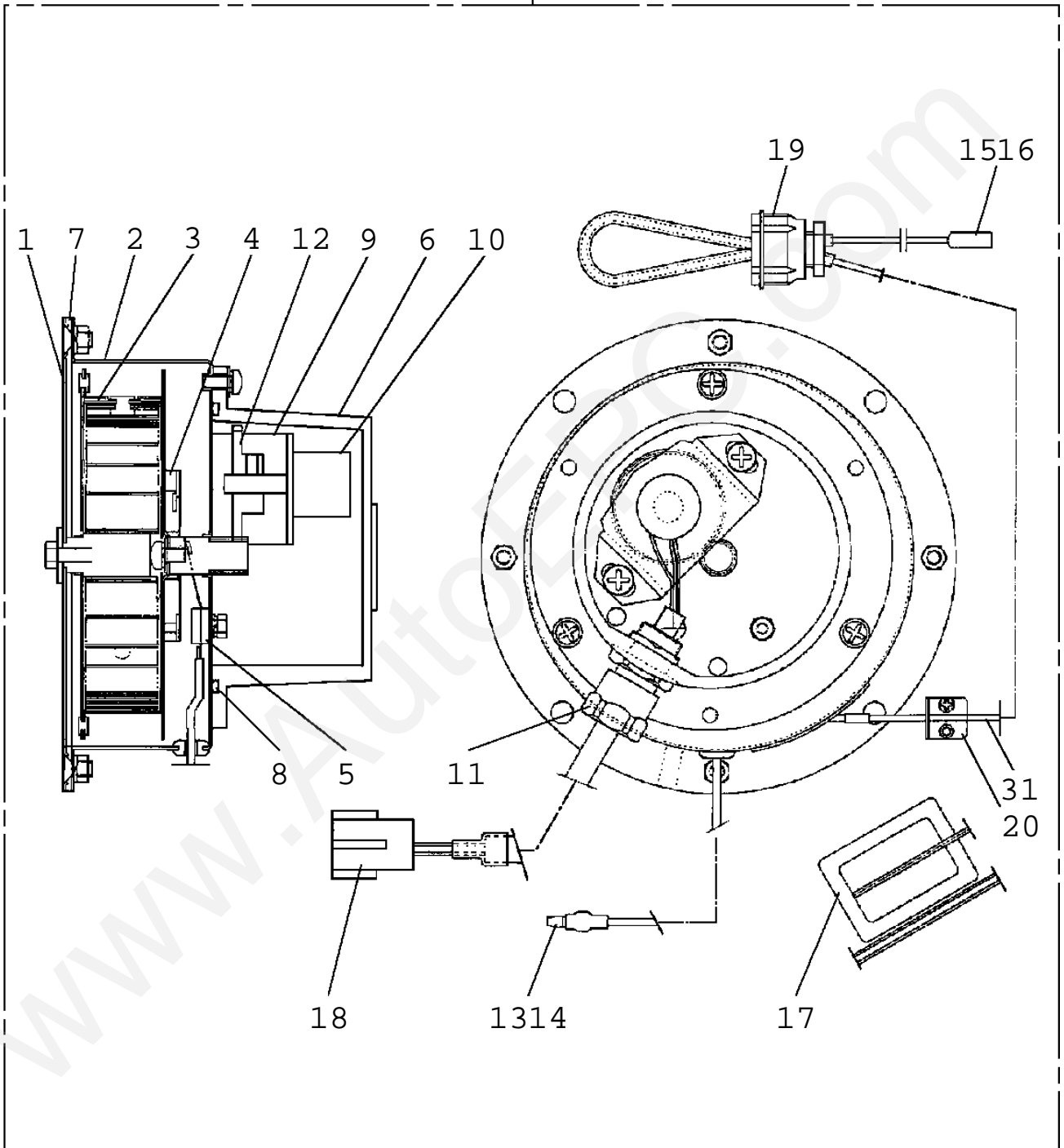
**TM-ZR360 41102310070A FRAME/SL,MANUAL,HOOK-IN**

Pos No.	Parts No	Parts Name	Qty	Unit	Technical Da
1	(***** )	GUIDE,ROPE (RETAINING WIRE ROPE,1-PART)	1		
2	(***** )	HOOK	1		
3	(***** )	DETECTOR,OVER WINDING (RETAINING WIRE RO	1		
4	(***** )	PLATE ASSY,NAME (1-PART LINE OPE.)	1		

www.AutoEPC.com

TM-ZR360 41102310070A FRAME/SL, MANUAL, HOOK-IN  
PG1130134-00 DETECTOR, BOOM LENGTH

100



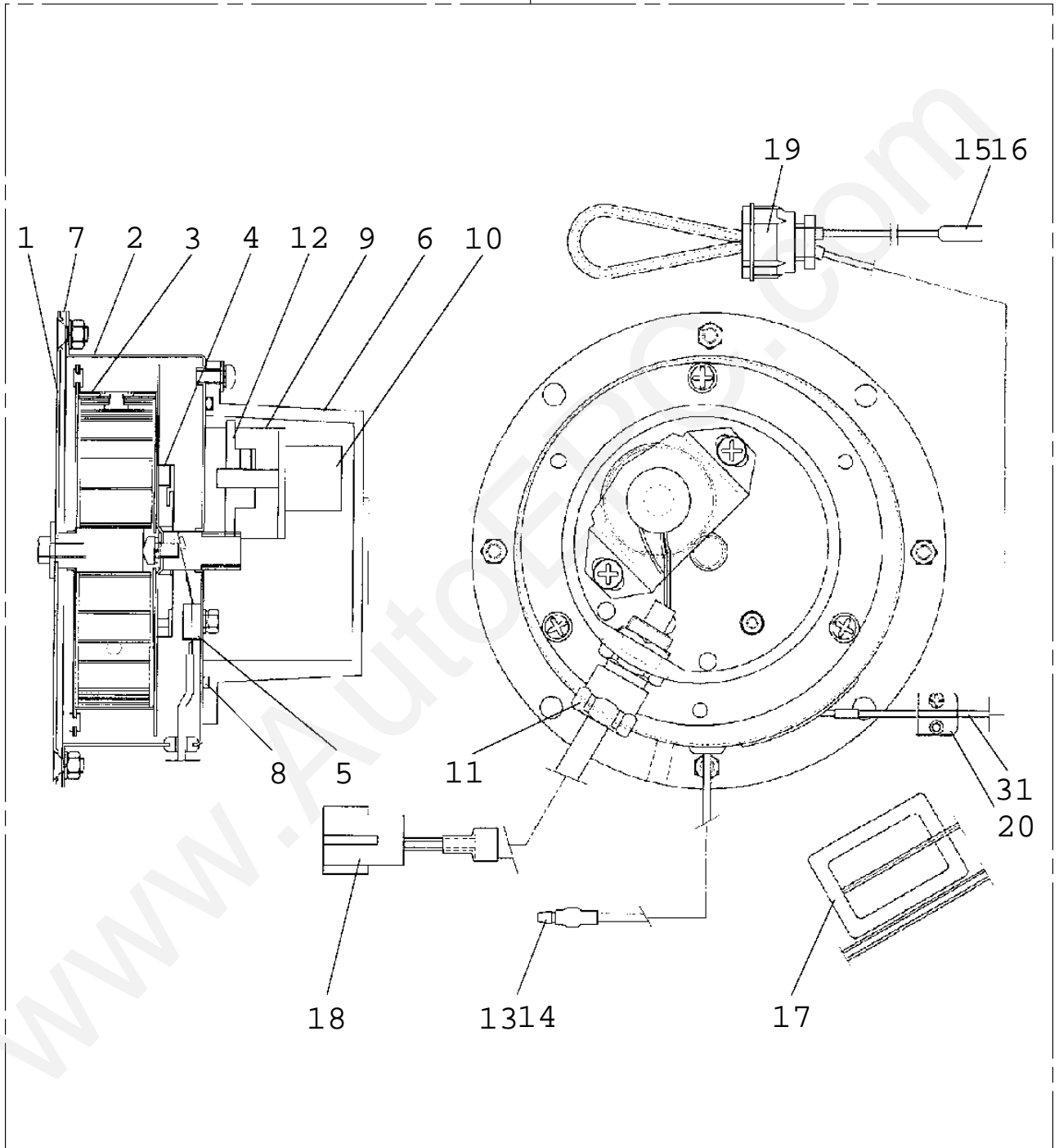
**TM-ZR360 41102310070A FRAME/SL, MANUAL, HOOK-IN**

Pos No.	Parts No	Parts Name	Qty	Unit	Technical Data	Serial No (Start)
1	36131315010	PLATE (BASE)	1			
2	36131745020	CASE	1			
3	36131745030	DRUM ASSY	1			
4	32360005050	RING, SLIP	1			
5	32360005060	CONTACTOR ASSY	1			
6	36131745040	CASE	1			
7	36131745050	PACKING	1			
8	91001209000	O-RING	1		1A G90	
9	36131745060	BRACKET	1			
10	36131745010	POTENTIOMETER	1			
11	36130915030	SEAL	1			
12	36131745070	GEAR	1			
13	82100000192	TERMINAL	1			
14	36161185010	CAP	1			
15	82100000191	TERMINAL	1			
16	36131625050	CAP	1			
17	31370005080	GUIDE (CORD)	1			
18	36131745080	CORD ASSY	1			
19	82100001406	CONNECTOR (SEAL)	1			
20	36130795030	STOPPER	2			
31	36131745090	CORD	13	M		
100	36131740000	DETECTOR, BOOM LENGTH	1			

www.AutoEPC.com

TM-ZR360 41102310070A FRAME/SL, MANUAL, HOOK-IN  
PG1130135-00 DETECTOR, BOOM LENGTH

100

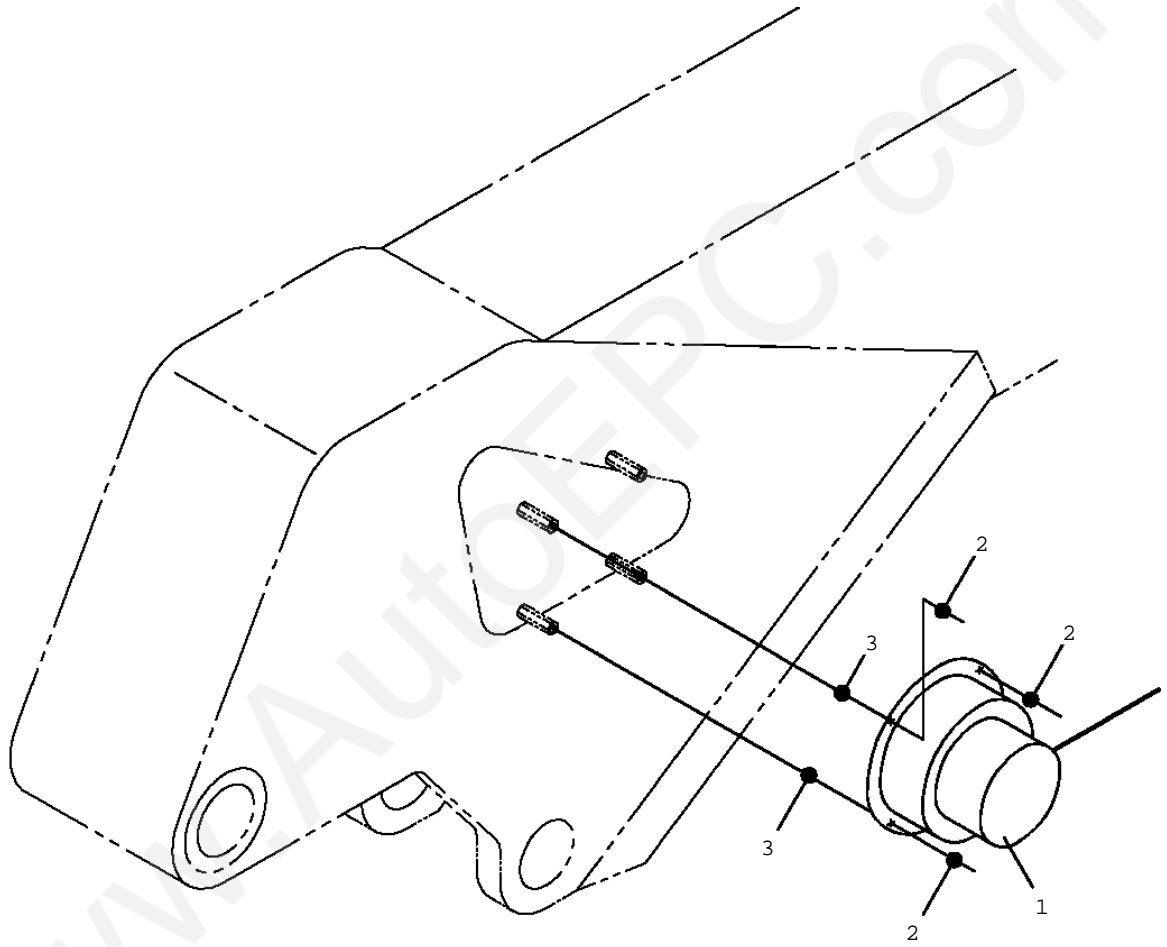


**TM-ZR360 41102310070A FRAME/SL, MANUAL, HOOK-IN**

Pos No.	Parts No	Parts Name	Qty	Unit	Technical Data	Serial No (Start)
1	36130235010	PLATE (BASE)	1			
2	36131755010	CASE	1			
3	36131755020	DRUM ASSY	1			
4	32360005050	RING, SLIP	1			
5	32360005060	CONTACTOR ASSY	1			
6	36131745040	CASE	1			
7	31370105030	PACKING	1			
8	91001209000	O-RING	1		1A G90	
9	36131745060	BRACKET	1			
10	36131745010	POTENTIOMETER	1			
11	36130915030	SEAL	1			
12	36131745070	GEAR	1			
13	82100000192	TERMINAL	1			
14	36161185010	CAP	1			
15	82100000191	TERMINAL	1			
16	36131625050	CAP	1			
17	31370005080	GUIDE (CORD)	1			
18	36131745080	CORD ASSY	1			
19	82100001406	CONNECTOR (SEAL)	1			
20	36130795030	STOPPER	2			
31	36131745090	CORD	17	M		
100	36131750000	DETECTOR, BOOM LENGTH	1			

www.AutoEPC.com

TM-ZR360 41102310070A FRAME/SL, MANUAL, HOOK-IN  
PG1130144-00 DETECTOR, BOOM LENGTH (MOUNT)



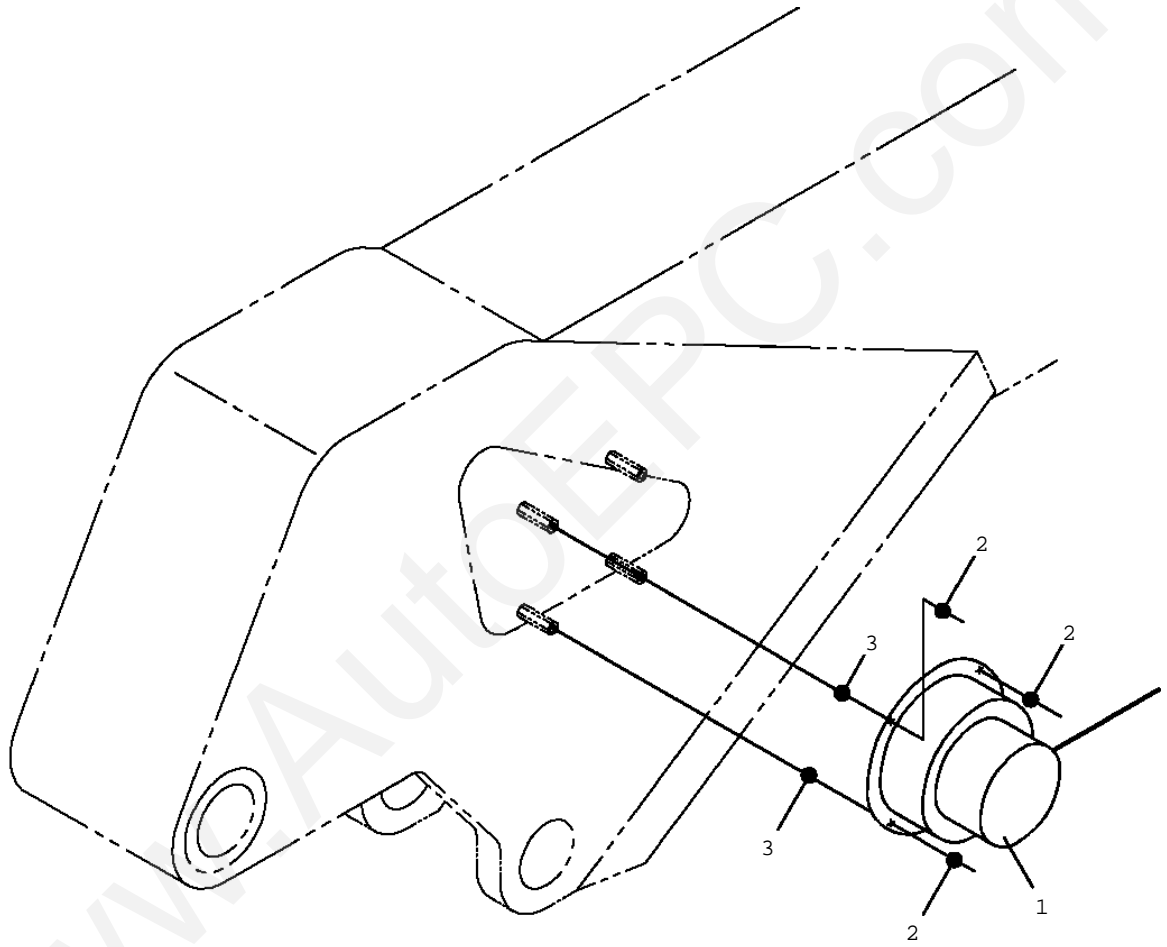


**TM-ZR360 41102310070A FRAME/SL, MANUAL, HOOK-IN**

Pos No.	Parts No	Parts Name	Qty	Unit	Technical Data	Serial No (Start)
1	36131740000	DETECTOR, BOOM LENGTH	1			
2	90186206010	BOLT, FLANGE	4		M6X10	
3	90303070601	WASHER, PLAIN	3		6	

www.AutoEPC.com

TM-ZR360 41102310070A FRAME/SL, MANUAL, HOOK-IN  
PG1130145-00 DETECTOR, BOOM LENGTH (MOUNT)

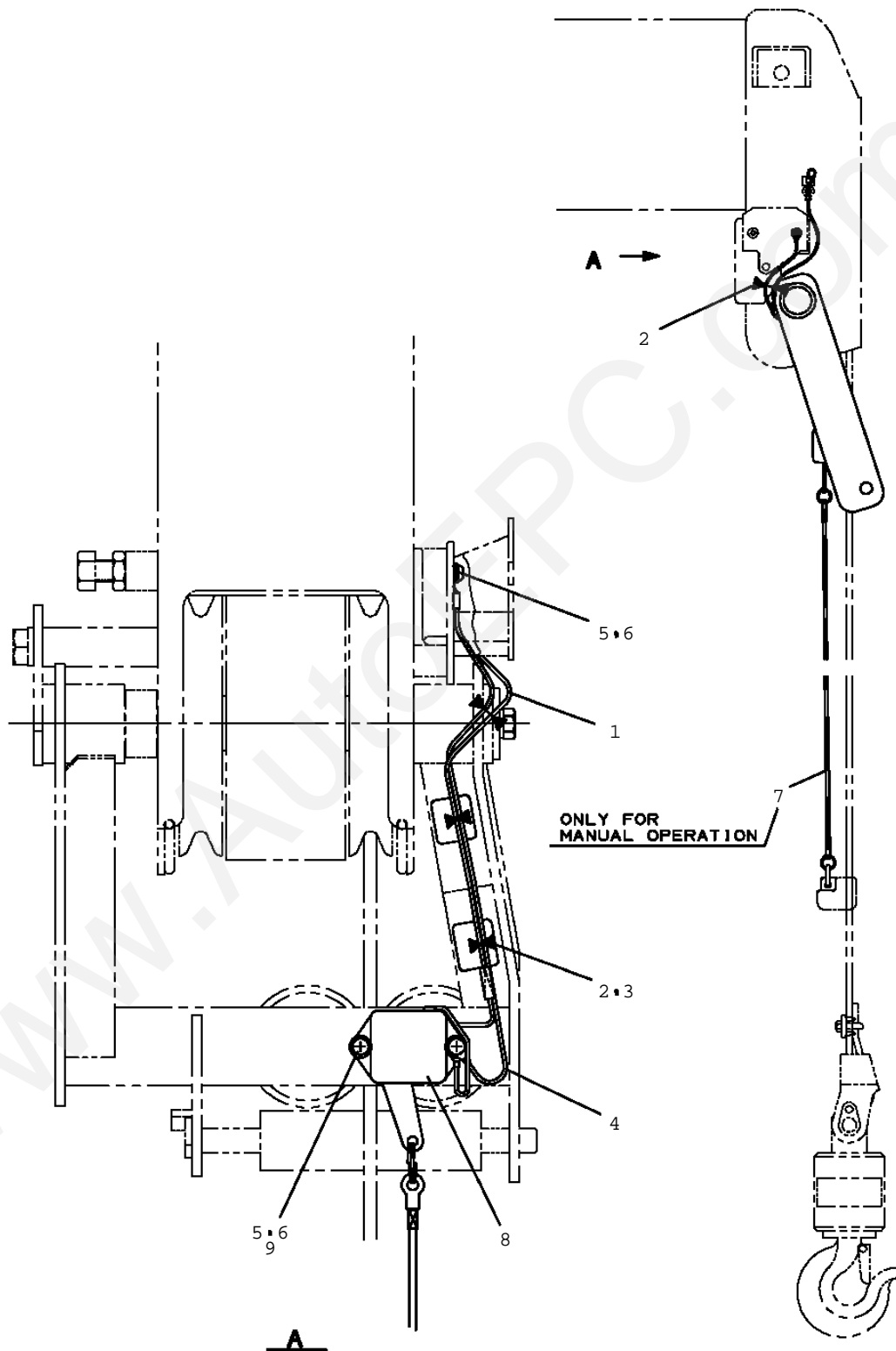


**TM-ZR360 41102310070A FRAME/SL, MANUAL, HOOK-IN**

Pos No.	Parts No	Parts Name	Qty	Unit	Technical Data	Serial No (Start)
1	36131750000	DETECTOR, BOOM LENGTH	1			
2	90186206010	BOLT, FLANGE	4		M6X10	
3	90303070601	WASHER, PLAIN	3		6	

www.AutoEPC.com

TM-ZR360 41102310070A FRAME/SL, MANUAL, HOOK-IN  
PH1060327-00 DETECTOR, OVER WINDING (RETAINING WIRE RO

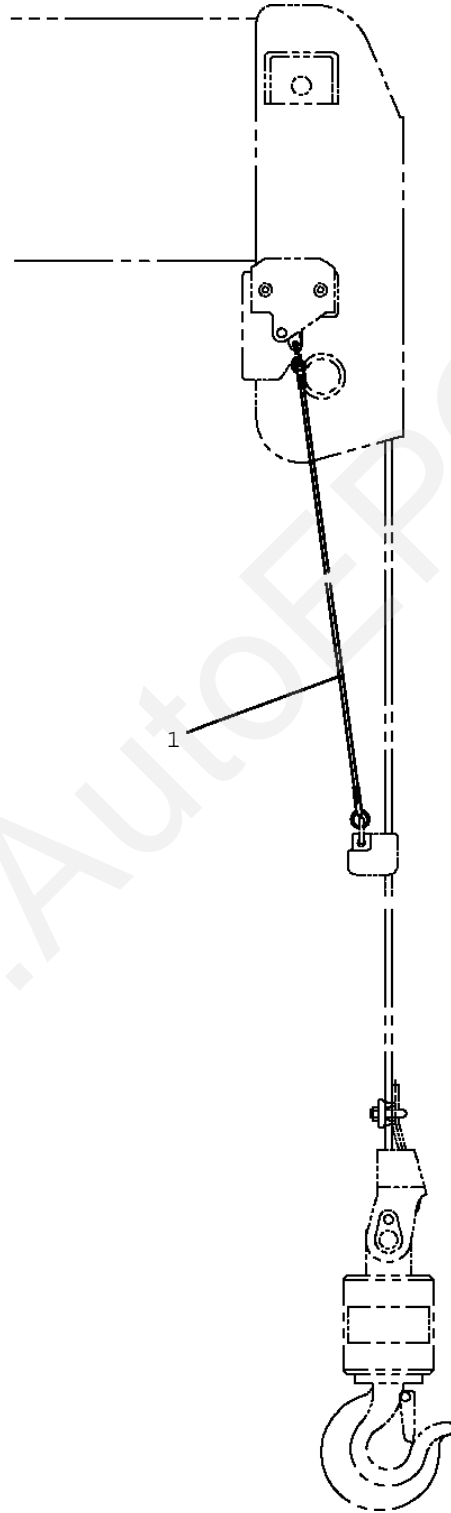


**TM-ZR360 41102310070A FRAME/SL,MANUAL,HOOK-IN**

Pos No.	Parts No	Parts Name	Qty	Unit	Technical Data	Serial No (Start)	Serial
1	31477172500	HARNES	1		L=440		
2	91810130240	FASTENER	3				
3	91850310405	CLAMP (BLACK)	2				
4	31477172400	HARNES	1		L=440		
5	80182306014	SCREW, MACHINE	3		M6X14		
6	90302040601	WASHER, SPRING	3		6		
7	31477172600	ROPE ASSY	1		L=1480		
8	31371922000	SWITCH ASSY	1				
9	90303070601	WASHER, PLAIN	2		6		

www.AutoEPC.com

TM-ZR360 41102310070A FRAME/SL, MANUAL, HOOK-IN  
PH1060338-00 DETECTOR, OVER WINDING

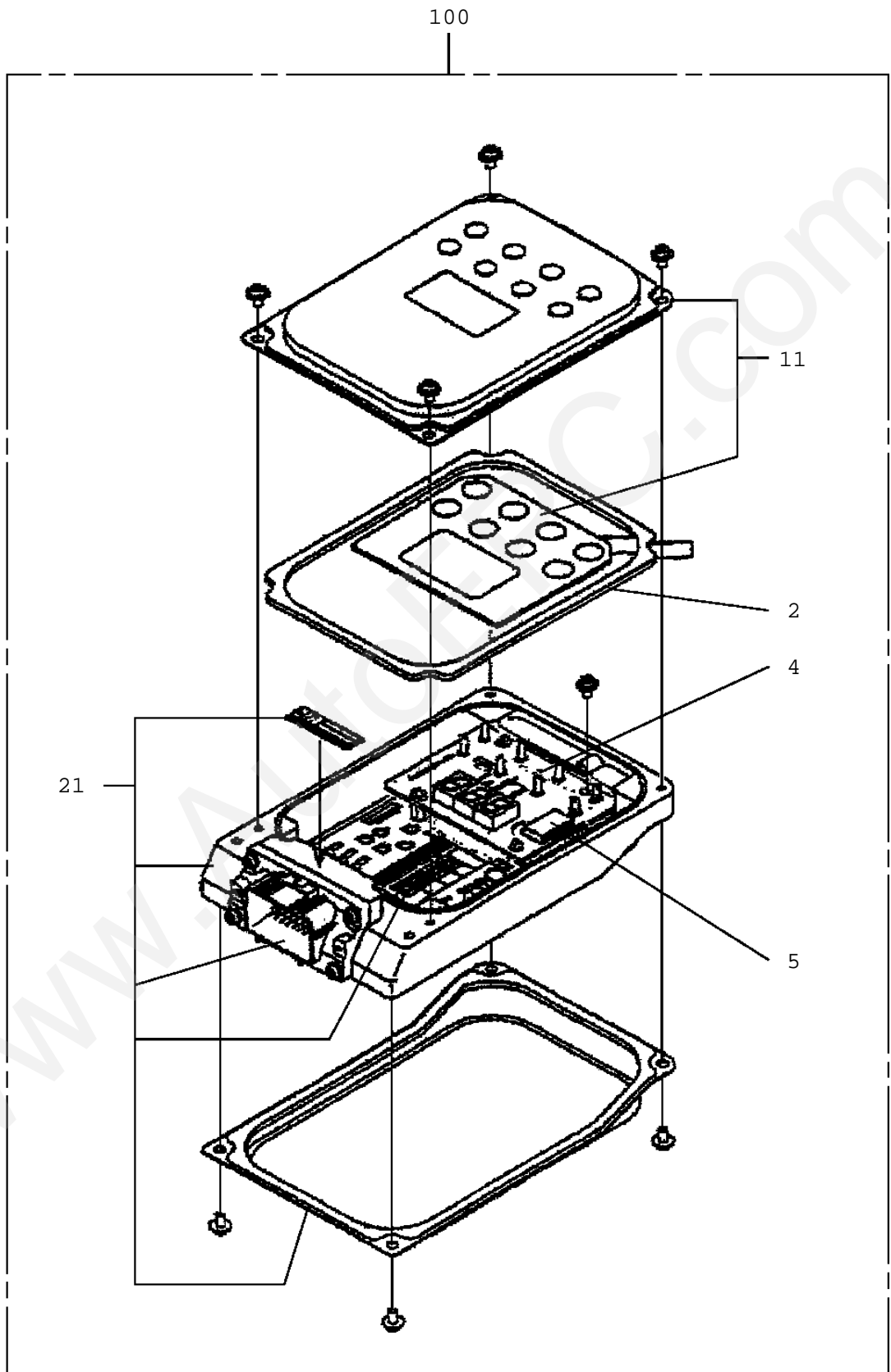


**TM-ZR360 41102310070A FRAME/SL, MANUAL, HOOK-IN**

Pos No.	Parts No	Parts Name	Qty	Unit	Technical Data	Serial No (Start)	Serial No
1	31477172600	ROPE ASSY	1		L=1480		

www.AutoEPC.com

TM-ZR360 41102310070A FRAME/SL, MANUAL, HOOK-IN  
PH1250115-00 MOMENT LIMITER (BML)





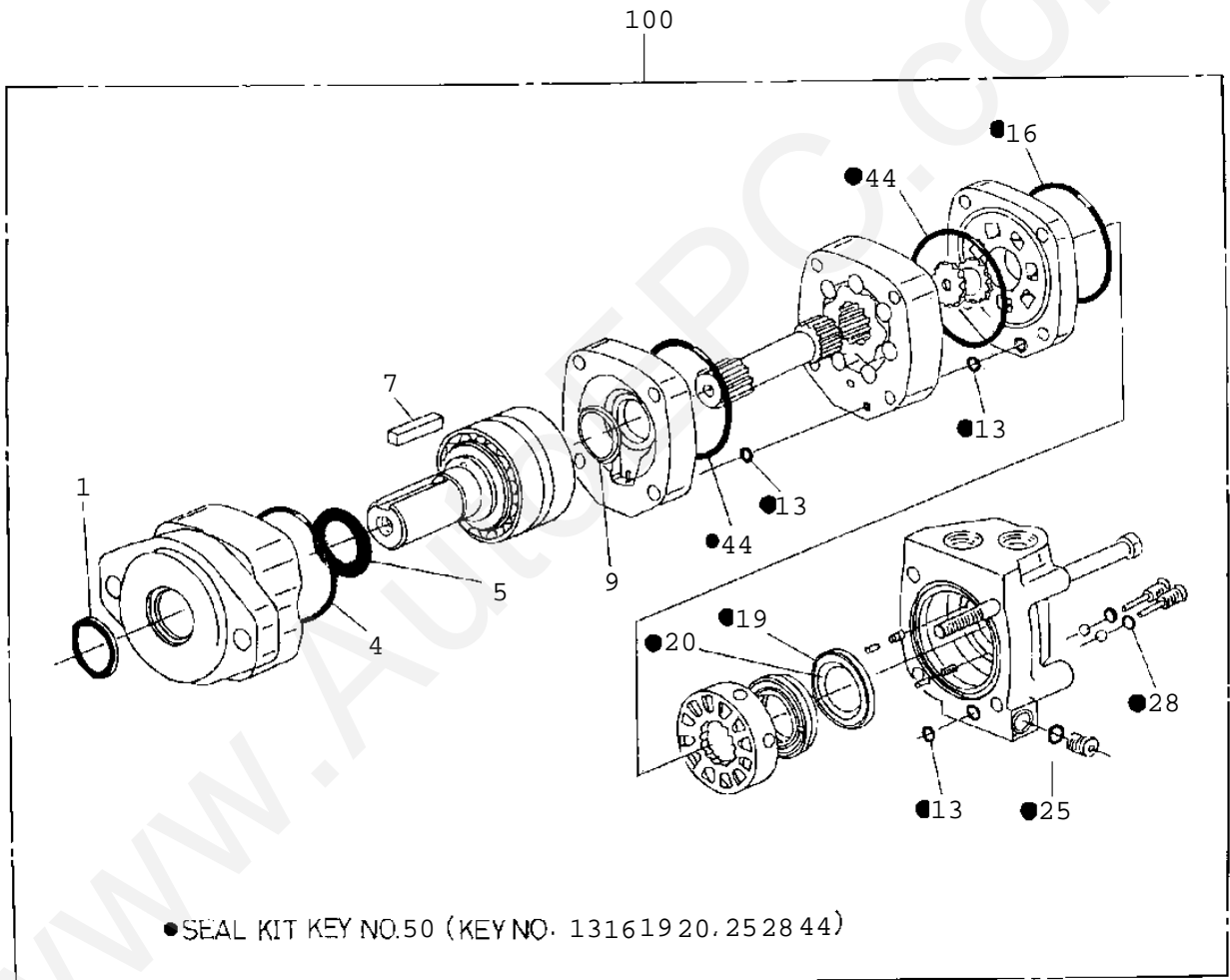
**TM-ZR360 41102310070A FRAME/SL,MANUAL,HOOK-IN**

Pos No.	Parts No	Parts Name	Qty	Unit	Technical Data	Serial No (Start)
2	36116551300	CUSHION	1			
4	36190831930	BOARD,CIRCUIT	1			
5	36190831940	HARNESS	1			
11	36190831800	COVER	1			
21	36194665010	CPU UNIT (WITH DATA)	1			
100	36194660000	MOMENT LIMITER (BML)	1			

www.AutoEPC.com

TM-ZR360 41102310070A FRAME/SL, MANUAL, HOOK-IN  
PI1010085-01 MOTOR, HYDRAULIC

Assembly Name MOTOR, HYDRAULIC (SELF WINCH 31)



**TM-ZR360 41102310070A FRAME/SL, MANUAL, HOOK-IN**

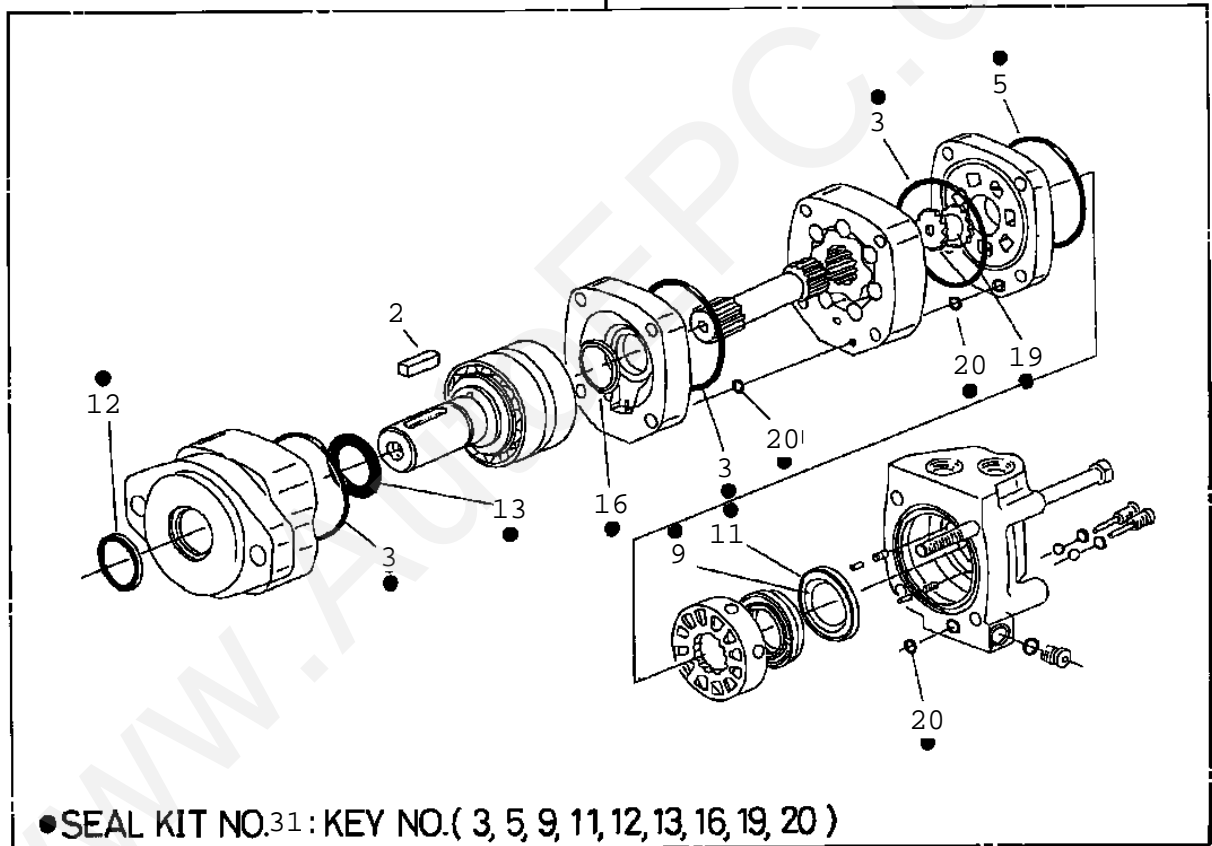
Pos No.	Parts No	Parts Name	Qty	Unit	Technical Data	Serial No (Start)
1	36662295010	SEAL, DUST	1			
4	91000504100	O-RING	1			
5	36662295020	SEAL, OIL	1			
7	36660375070	KEY	1		7X7X31.5	
9	36662295030	SEAL, SHAFT	1			
13	91000501100	O-RING	3			
16	91000503800	O-RING	1			
19	36660645130	SEAL	1			
20	36660645140	SEAL	1			
25	91001101100	O-RING	1		1A P11	
28	91000590300	O-RING	2			
44	91000504100	O-RING	2			
50	36660645160	SEAL KIT (FOR MOTOR)	1			
100	36662290000	MOTOR, HYDRAULIC	1			

www.AutoEPC.com

TM-ZR360 41102310070A FRAME/SL, MANUAL, HOOK-IN  
PI1010117-00 MOTOR, HYDRAULIC

Assembly ITEM NO MOTOR, HYDRAULIC

50



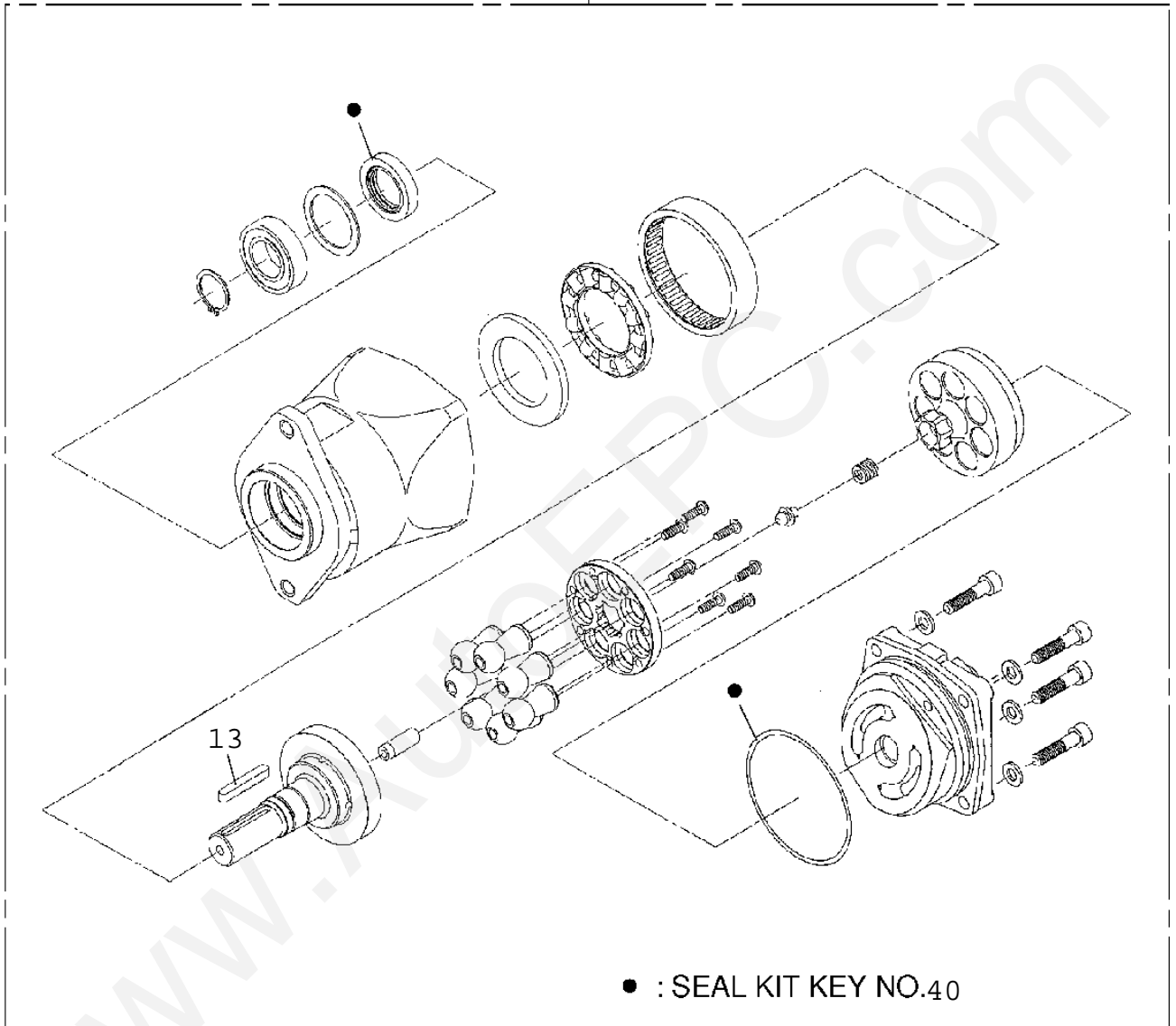
**TM-ZR360 41102310070A FRAME/SL, MANUAL, HOOK-IN**

Pos No.	Parts No	Parts Name	Qty	Unit	Technical Data	Serial No (Start)	S
2	36661485030	KEY	1				
3	91000504100	O-RING	3				
5	91000503800	O-RING	1				
9	36660645140	SEAL	1				
11	36660645130	SEAL	1				
12	36662295010	SEAL, DUST	1				
13	36662295020	SEAL, OIL	1				
16	36662295030	SEAL, SHAFT	1				
19	36662655020	GEAR (VALVE DRIVE)	1				
20	91000501100	O-RING	3				
31	36662655010	SEAL KIT	1				
50	36662650000	MOTOR, HYDRAULIC	1				

www.AutoEPC.com

TM-ZR360 41102310070A FRAME/SL, MANUAL, HOOK-IN  
PI1010152-00 MOTOR, HYDRAULIC (WINCH)

50



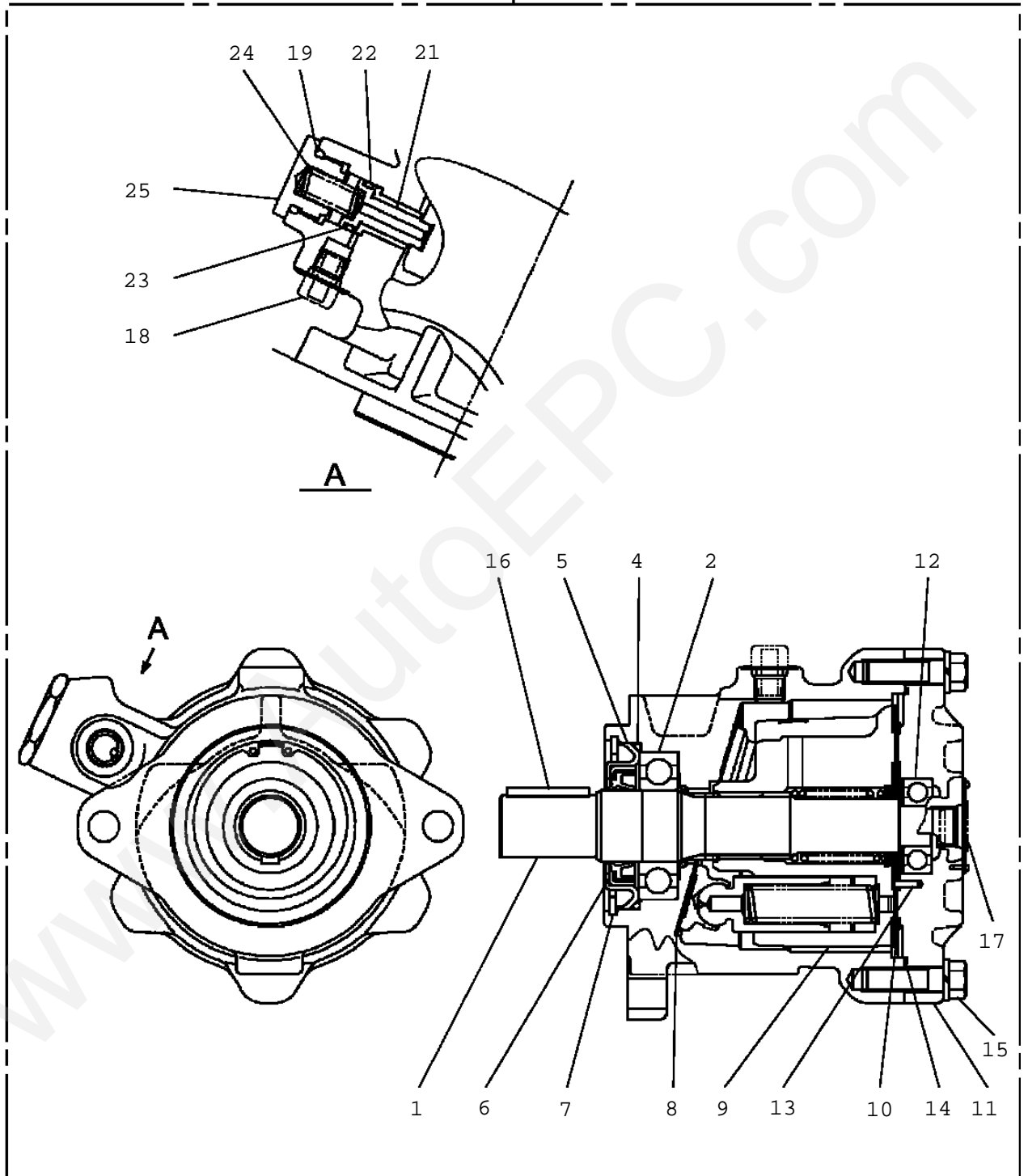
**TM-ZR360 41102310070A FRAME/SL,MANUAL,HOOK-IN**

Pos No.	Parts No	Parts Name	Qty	Unit	Technical Data	Serial No (Star
13	36662185010	KEY (FEATHER)	1			
40	36662415020	SEAL KIT	1			
50	36663100000	MOTOR,HYDRAULIC (WINCH)	1			

www.AutoEPC.com

TM-ZR360 41102310070A FRAME/SL, MANUAL, HOOK-IN  
PI1010223-00 MOTOR, HYDRAULIC

200

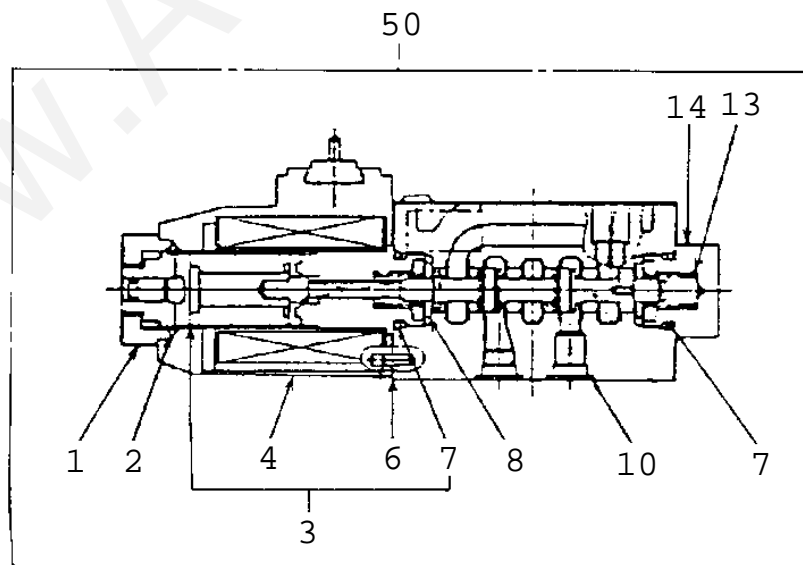
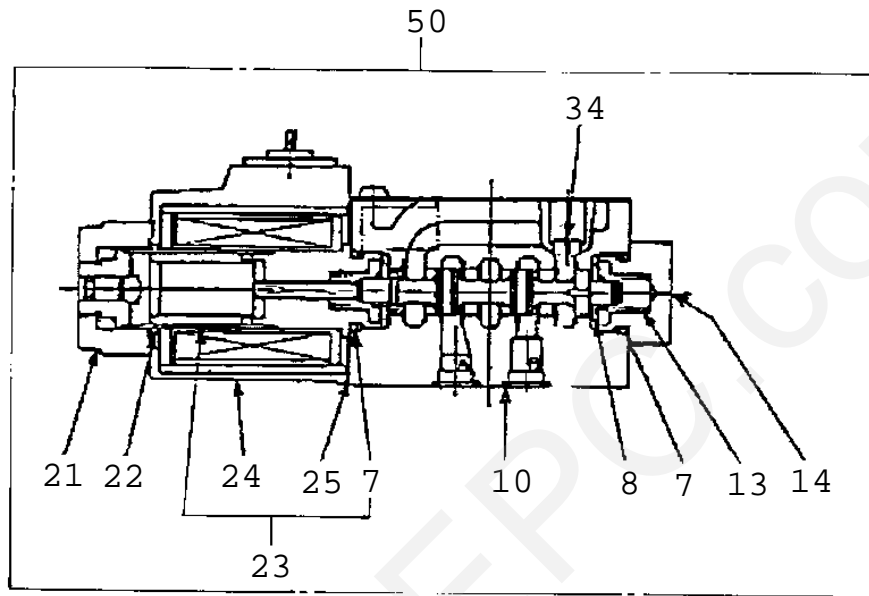




**TM-ZR360 41102310070A FRAME/SL, MANUAL, HOOK-IN**

Pos No.	Parts No	Parts Name	Qty	Unit	Technical Data	Serial No (Start
1	36663955100	SHAFT	1			
2	80500006206	BEARING, BALL	1			
4	91001106500	O-RING	1		1A P65	
5	36660025020	COVER (OIL SEAL)	1			
6	36660025140	SEAL, OIL	1			
7	80601210720	RING, RETAINING	1		R72	
8	36663955020	PLATE, THRUST	1			
9	36663955030	BARREL ASSY (CYLINDER)	1			
10	36663955040	PLATE (VALVE)	1			
11	36661925030	COVER (BOTTOM)	1			
12	80500006203	BEARING, BALL	1			
13	36662355110	PIN	2			
14	36663955050	O-RING	1			
15	36663955060	BOLT	6		M10X35	
16	14125151020	KEY	1			
17	36660125060	PLUG	2		PF3/8	
18	36081315130	PROTECTOR (THREAD)	2			
19	91001102201	O-RING	1		1A P22A	
21	36663955070	PISTON (LOCK)	1			
22	91002801800	O-RING	1		1B P18	
23	91410001800	RING, BACKUP	1		P18	
24	36663955080	SPRING (LOCK)	1			
25	36663955090	CAP (LOCK)	1			
200	36663950000	MOTOR, HYDRAULIC	1			

TM-ZR360 41102310070A FRAME/SL, MANUAL, HOOK-IN  
PI1120142-01 VALVE, SOLENOID

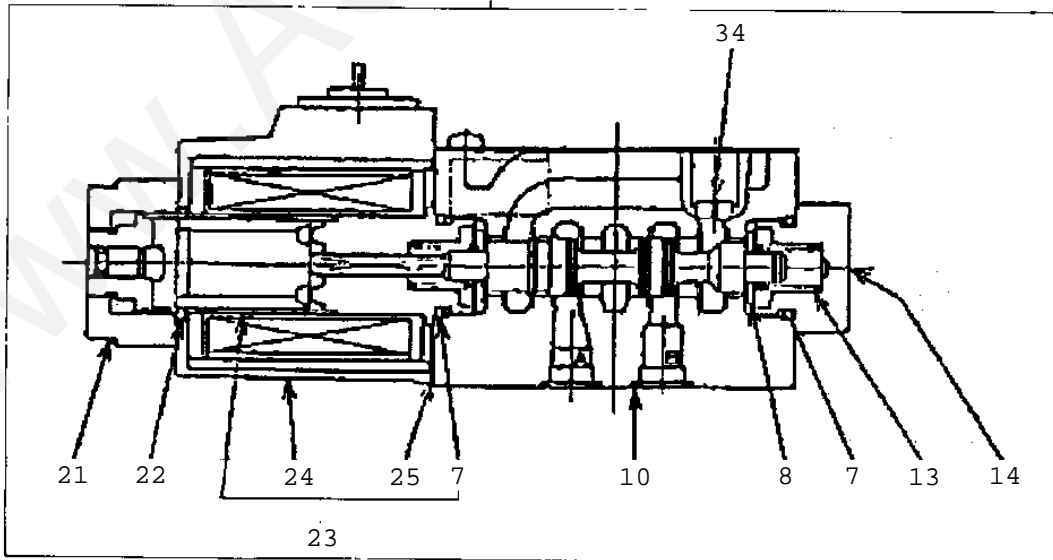
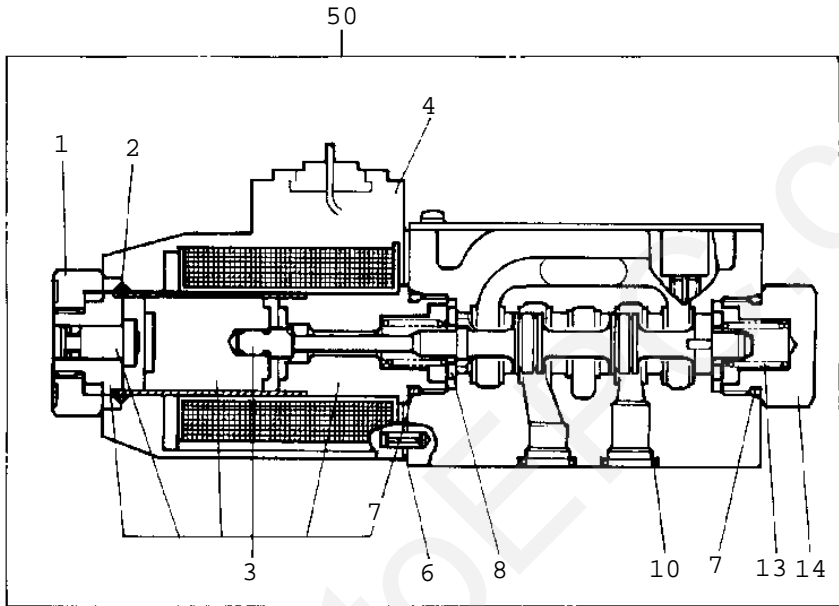


**TM-ZR360 41102310070A FRAME/SL,MANUAL,HOOK-IN**

Pos No.	Parts No	Parts Name	Qty	Unit	Technical Data	Serial No (Start)
7	36642765050	O-RING	2			
8	36642765060	WASHER (CENTER)	2			
10	91000501200	O-RING	4			
13	36643435020	SPRING	2			
14	36642765070	PLUG	1			
21	36643435030	NUT	1			
22	91000501900	O-RING	1			
23	36643435050	CORE ASSY (SOLENOID)	1			
24	36645925020	COIL,SOLENOID	1			
25	36643435070	PACKING	1			
34	36643435040	PIN,SPRING	4			
50	36645920000	VALVE,SOLENOID	1			

www.AutoEPC.com

TM-ZR360 41102310070A FRAME/SL, MANUAL, HOOK-IN  
PI1120241-00 VALVE, SOLENOID

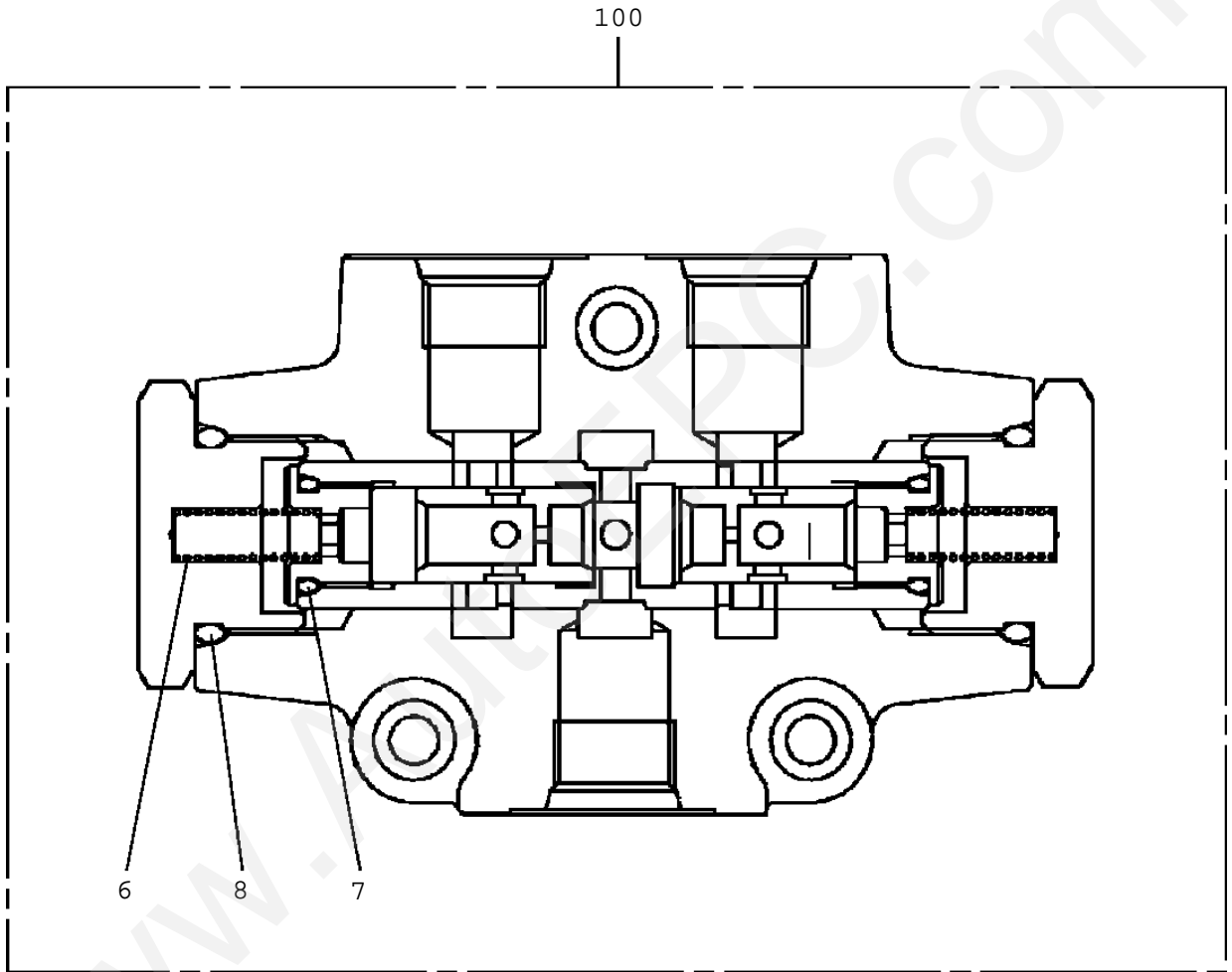


**TM-ZR360 41102310070A FRAME/SL, MANUAL, HOOK-IN**

Pos No.	Parts No	Parts Name	Qty	Unit	Technical Data	Serial No (Start)
7	36642765050	O-RING	2			
8	36642765060	WASHER (CENTER)	2			
10	91000501200	O-RING	4			
13	36642765080	SPRING	2			
14	36642765070	PLUG	1			
21	36643435030	NUT	1			
22	91000501900	O-RING	1			
23	36642765090	CORE ASSY (SOLENOID)	1			
24	36643435060	COIL, SOLENOID	1			
25	36643435070	PACKING	1			
34	36643435040	PIN, SPRING	4			
50	36642760000	VALVE, SOLENOID	1			

www.AutoEPC.com

TM-ZR360 41102310070A FRAME/SL, MANUAL, HOOK-IN  
PI1160047-00 VALVE, FLOW CONTROL

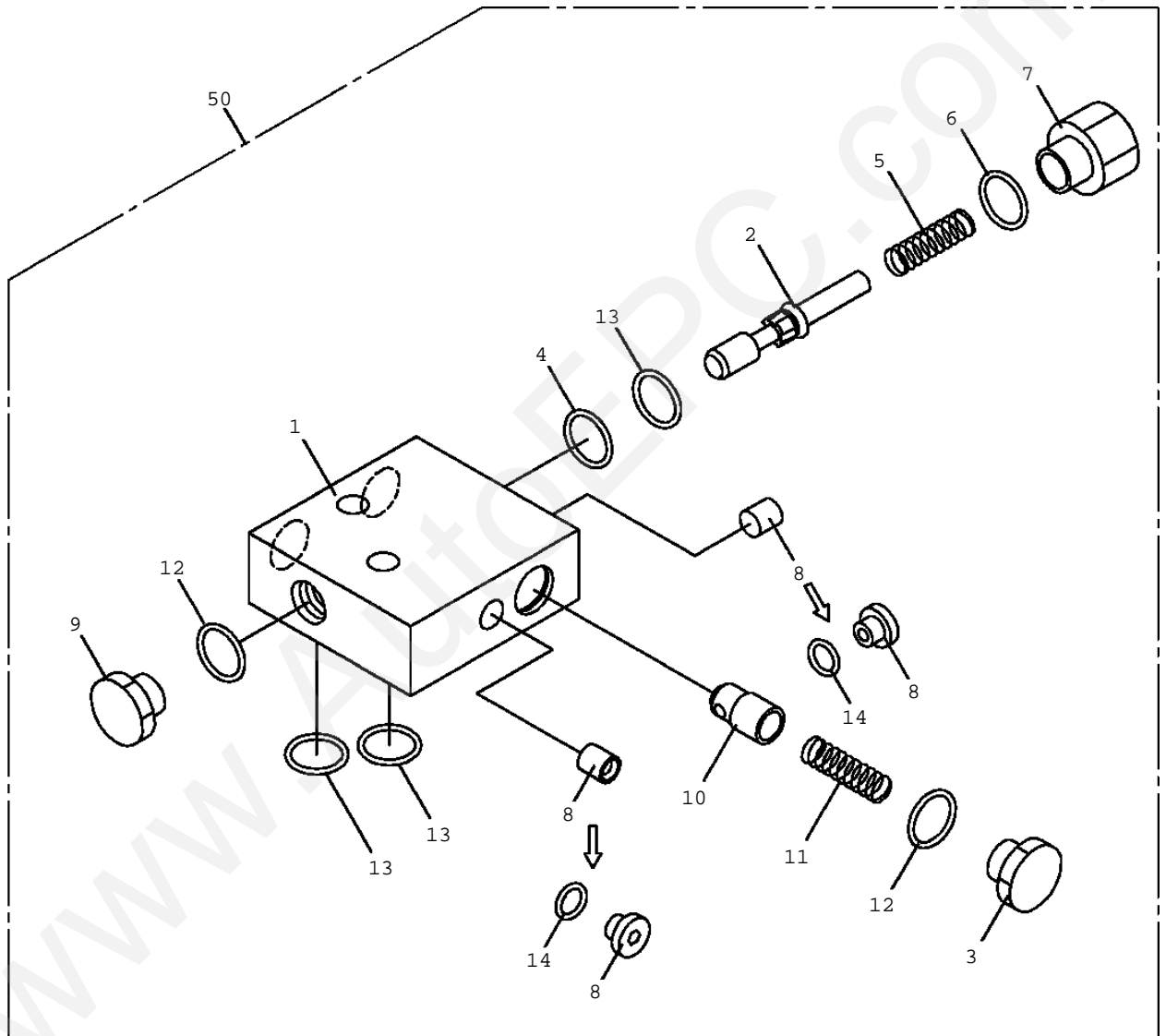


**TM-ZR360 41102310070A FRAME/SL, MANUAL, HOOK-IN**

Pos No.	Parts No	Parts Name	Qty	Unit	Technical Data	Serial No (Start)	S
6	36611675010	SPRING	2				
7	36611675020	O-RING	2		P12		
8	36611675030	O-RING	2		P24		
100	36611670000	VALVE, FLOW CONTROL	1				

www.AutoEPC.com

TM-ZR360 41102310070A FRAME/SL, MANUAL, HOOK-IN  
PI1250126-01 VALVE, COUNTERBALANCE



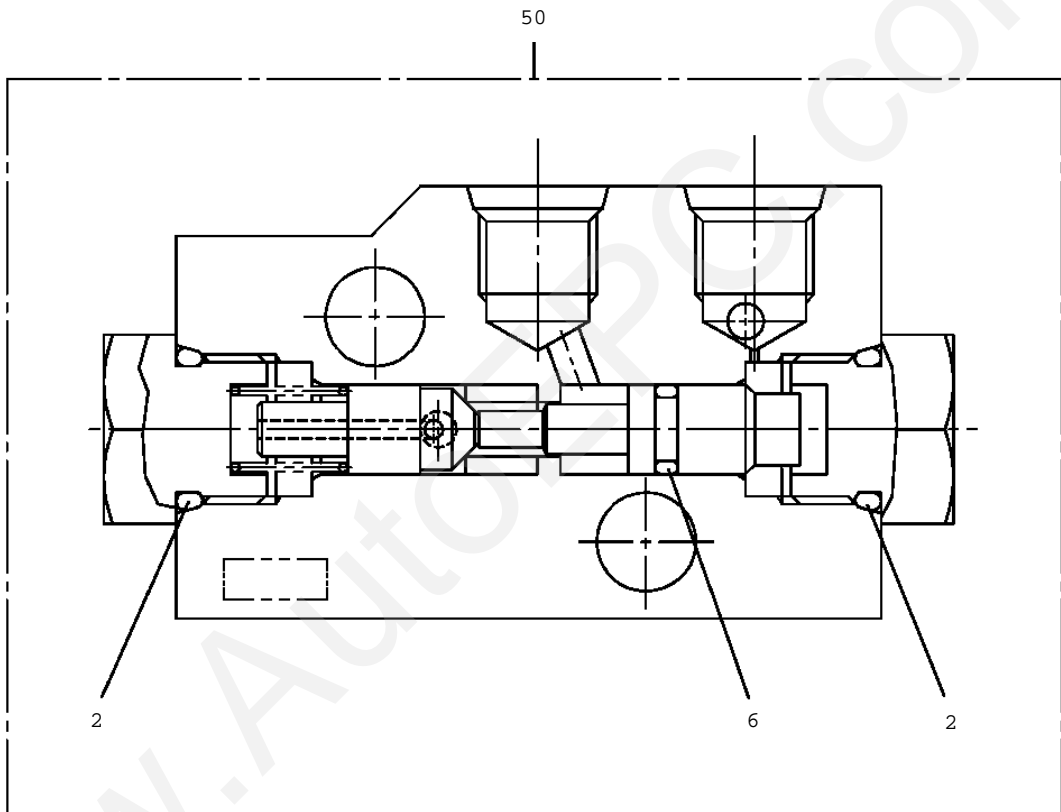


**TM-ZR360 41102310070A FRAME/SL, MANUAL, HOOK-IN**

Pos No.	Parts No	Parts Name	Qty	Unit	Technical Data	Serial No (Start)
1	36605180400	BODY	1			
2	36605200201	SPOOL	1			
3	36605200030	PLUG	1			
4	91411001100	RING, BACKUP	1			
5	37001201750	SPRING	1			
6	91002801800	O-RING	1		1B P18	
7	36605200010	PLUG	1			
9	36605180020	PLUG	1			
10	36605200300	POPPET	1			
11	37001201760	SPRING	1			
12	91002801400	O-RING	2		1B P14	
13	91002801100	O-RING	3		1B P11	
14	91002800800	O-RING	2		1B P8	
28	80316100010	PLUG	2		GPF1/8	
50	36605180001	VALVE, COUNTERBALANCE	1			

www.AutoEPC.com

TM-ZR360 41102310070A FRAME/SL, MANUAL, HOOK-IN  
PI1280051-00 VALVE, PILOT CHECK

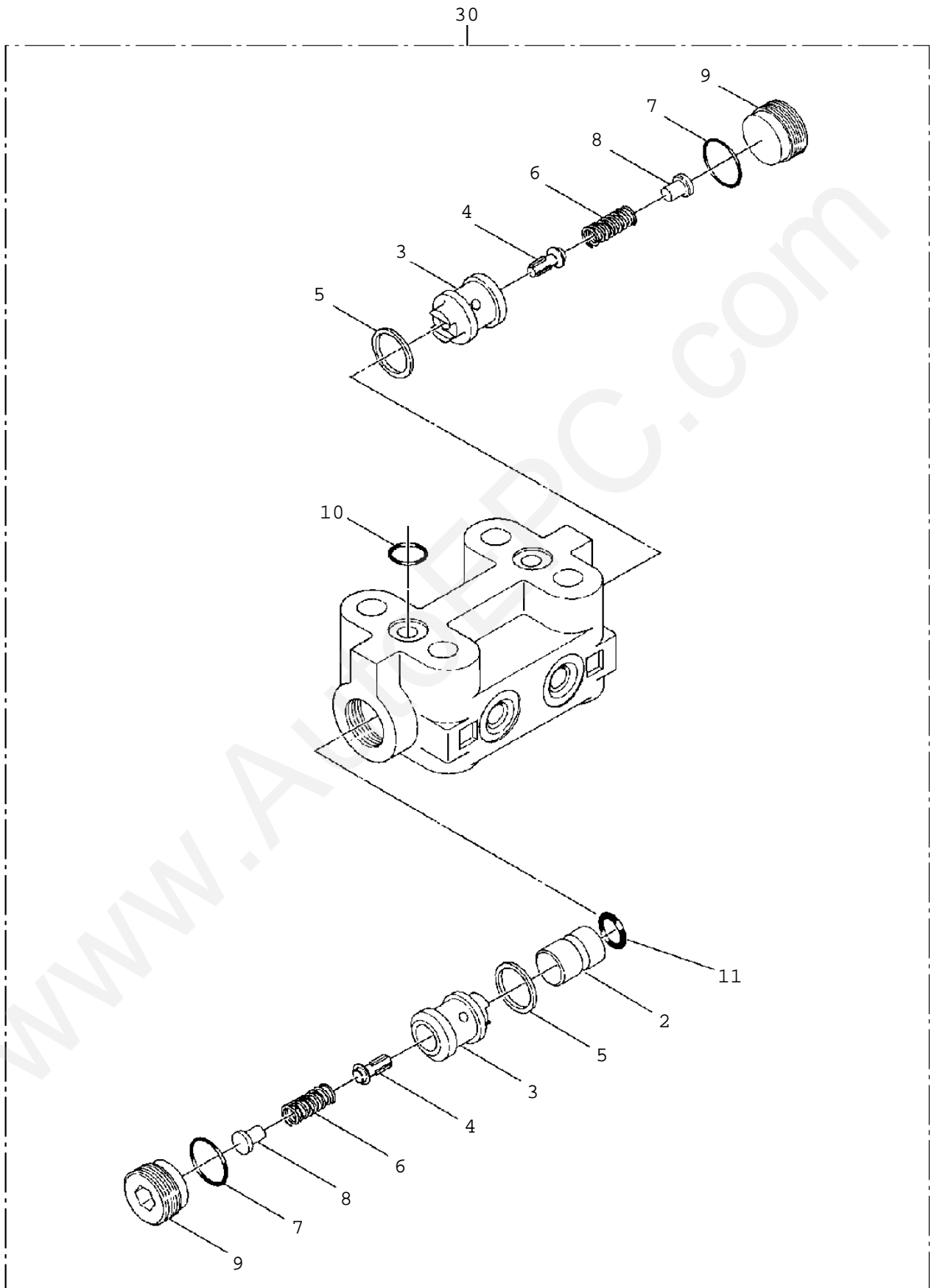


**TM-ZR360 41102310070A FRAME/SL,MANUAL,HOOK-IN**

Pos No.	Parts No	Parts Name	Qty	Unit	Technical Data	Serial No (Start)	Se
2	91002801400	O-RING	2		1B P14		
6	91002800700	O-RING	1		1B P7		
50	36623930000	VALVE,PILOT CHECK	1				

www.AutoEPC.com

TM-ZR360 41102310070A FRAME/SL, MANUAL, HOOK-IN  
PI1280067-00 VALVE, PILOT CHECK



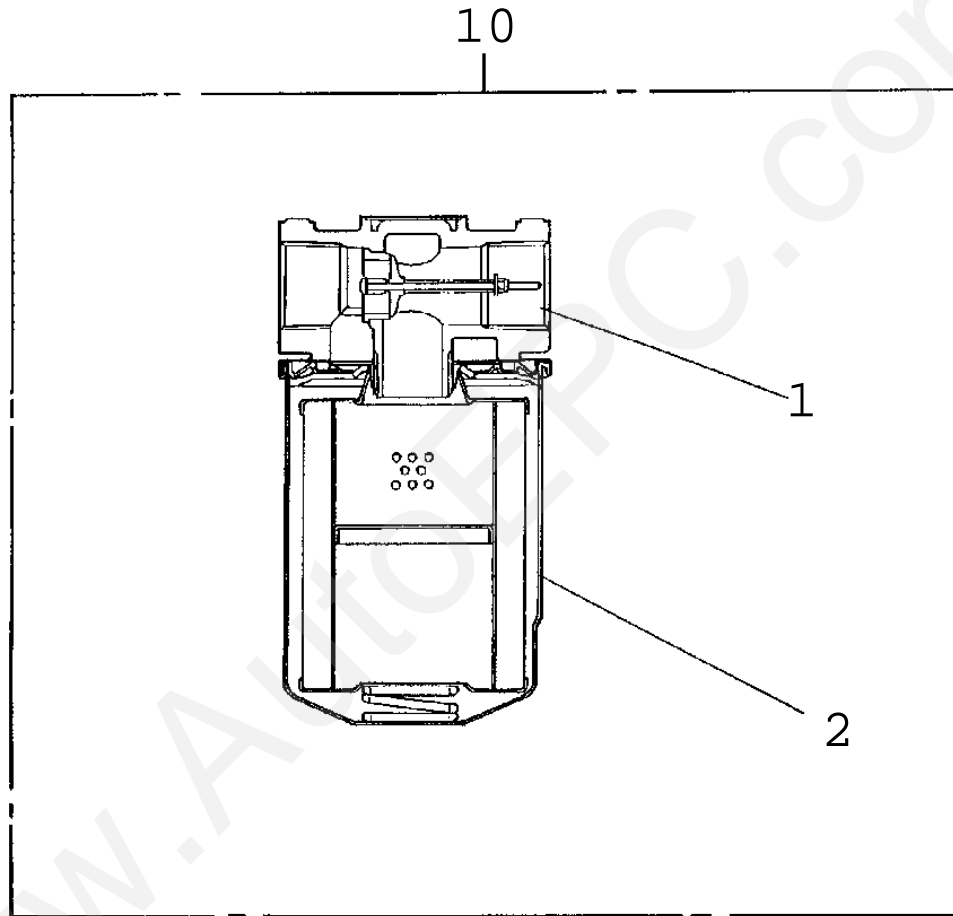
**TM-ZR360 41102310070A FRAME/SL,MANUAL,HOOK-IN**

Pos No.	Parts No	Parts Name	Qty	Unit	Technical Data	Serial No (Start)	Se
2	36624205200	PISTON	1				
3	36624690100	HOUSING	2				
4	36624205400	VALVE,PILOT	2				
5	50815054503	PACKING	2				
6	50815054603	SPRING	2				
7	91002801800	O-RING	2		1B P18		
8	50815054703	PIN (STOP)	2				
9	36623835900	PLUG	2				
10	91002801200	O-RING	2		1B P12		
11	36623825200	CAP (SEAL)	1				
30	36624690000	VALVE,PILOT CHECK	1				

www.AutoEPC.com

TM-ZR360 41102310070A FRAME/SL, MANUAL, HOOK-IN  
PI1300061-02 FILTER, OIL (YAMASHIN)

Assembly Name FILTER, OIL

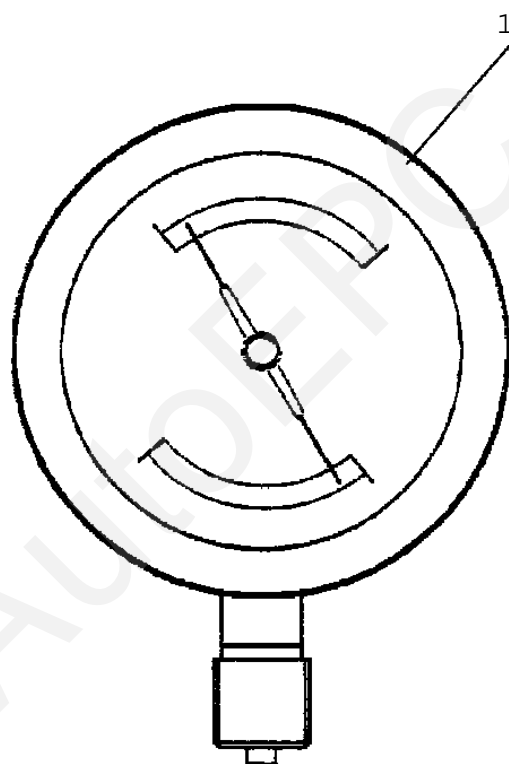


**TM-ZR360 41102310070A FRAME/SL,MANUAL,HOOK-IN**

Pos No.	Parts No	Parts Name	Qty	Unit	Technical Data	Serial No (Start)
1	36672285010	HEAD ASSY	1			
2	36670109511	FILTER,CARTRIDGE	1			
10	36672280000	FILTER,OIL (YAMASHIN)	1			

www.AutoEPC.com

TM-ZR360 41102310070A FRAME/SL, MANUAL, HOOK-IN  
PI1440035-01 METER, LOAD (2.9TON KUSABA/ENG.& JAPANESE)



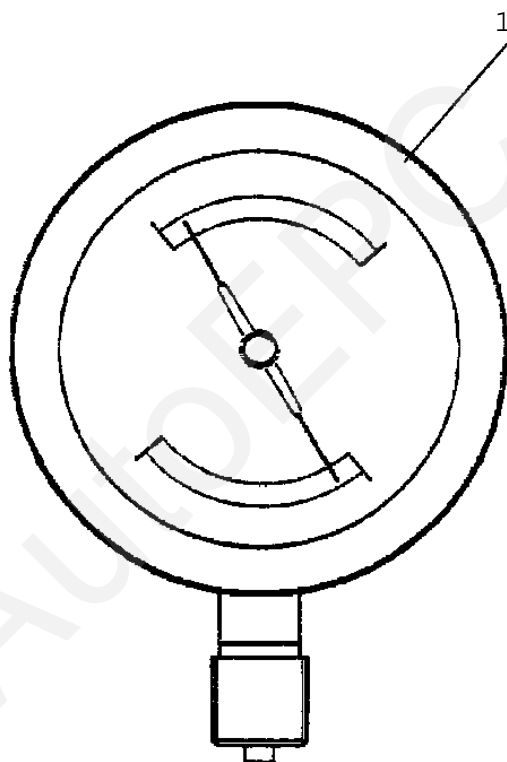


**TM-ZR360 41102310070A FRAME/SL,MANUAL,HOOK-IN**

Pos No.	Parts No	Parts Name	Qty	Unit	Technical Dat
1	36682150000	METER,LOAD (2.9TON KUSABA/ENG.& JAPANESE)	1		

www.AutoEPC.com

TM-ZR360 41102310070A FRAME/SL, MANUAL, HOOK-IN  
PI1440036-01 METER, LOAD (2.9TON NAGANO/ENG.& JAPANESE)

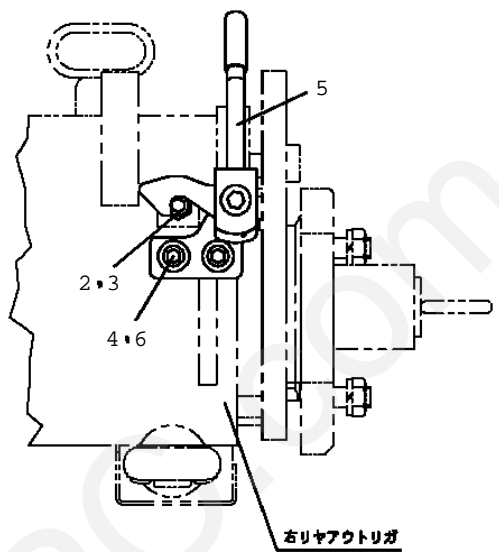
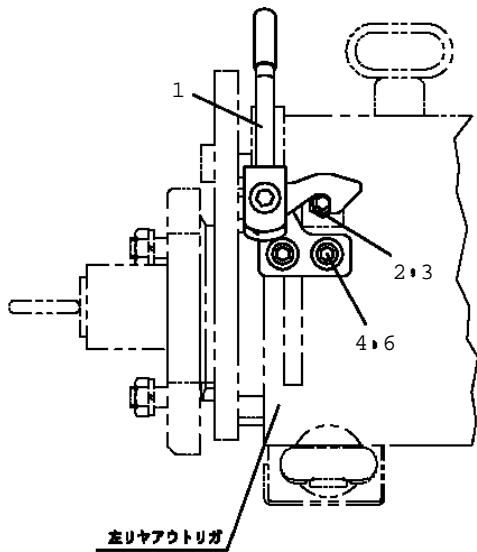


**TM-ZR360 41102310070A FRAME/SL,MANUAL,HOOK-IN**

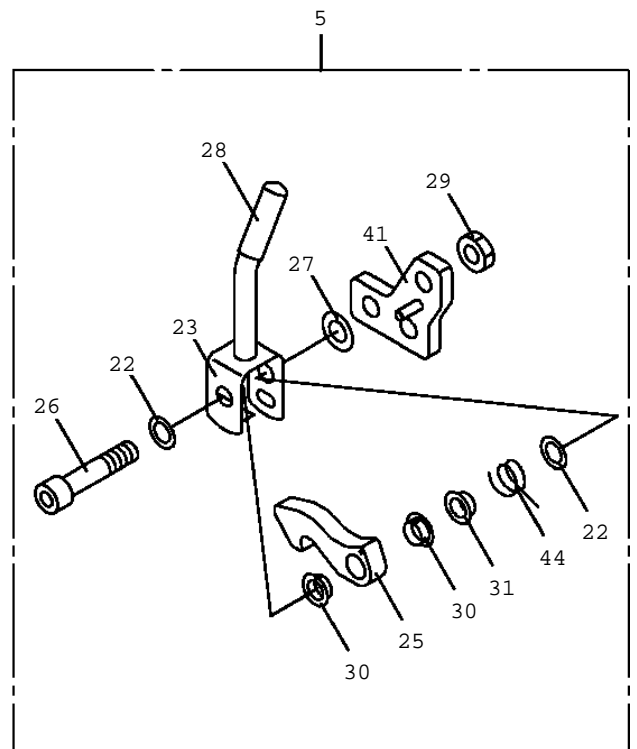
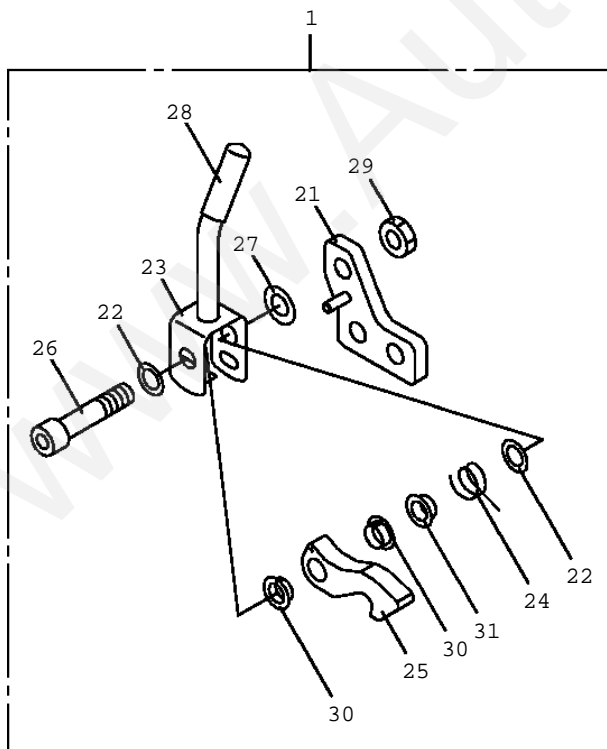
Pos No.	Parts No	Parts Name	Qty	Unit	Technical Dat
1	36682160000	METER,LOAD (2.9TON NAGANO/ENG.& JAPANESE)	1		

www.AutoEPC.com

TM-ZR360 41102310070A FRAME/SL, MANUAL, HOOK-IN  
 PJ3410034-01 LOCK ASSY



車両後端より見る

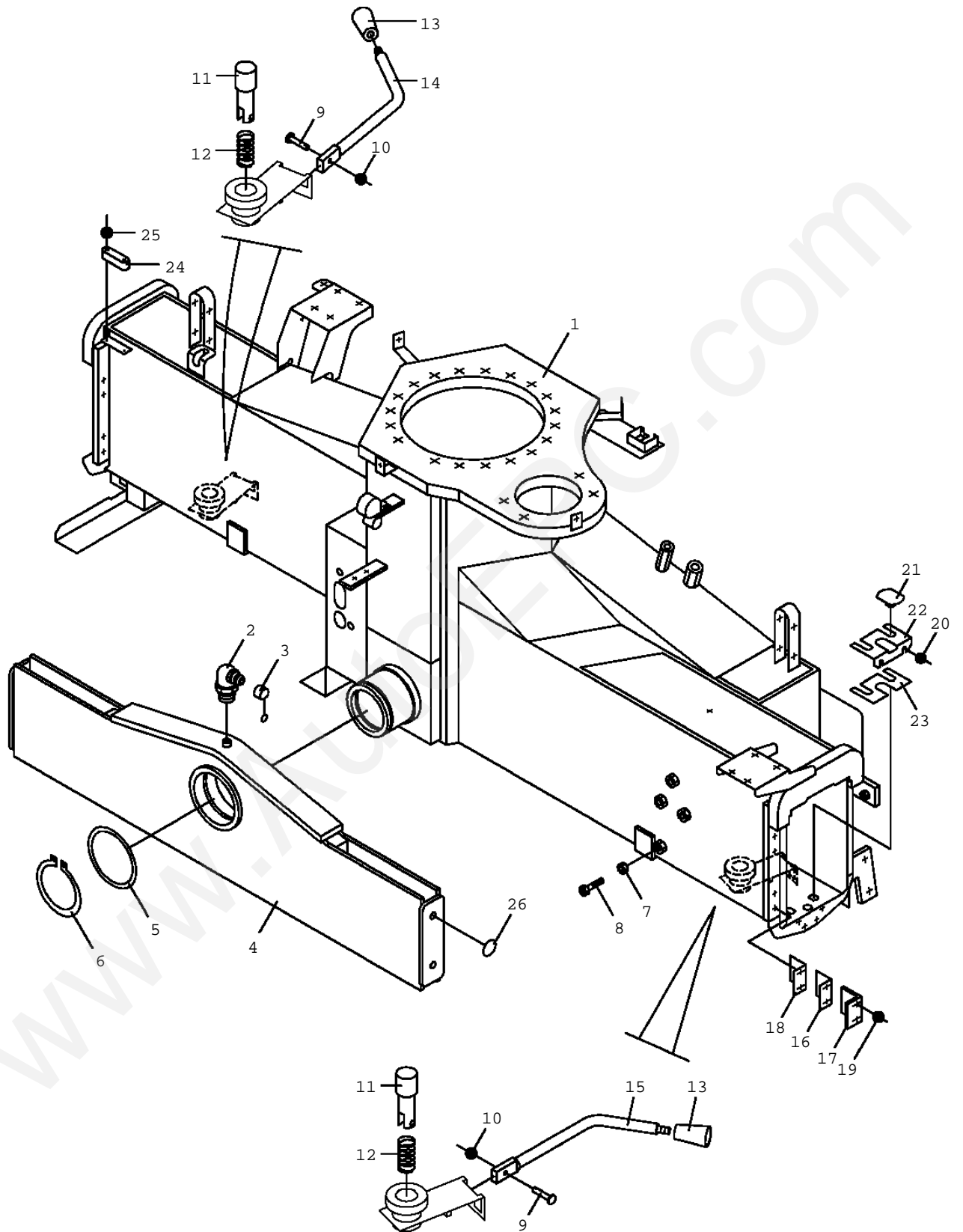


**TM-ZR360 41102310070A FRAME/SL, MANUAL, HOOK-IN**

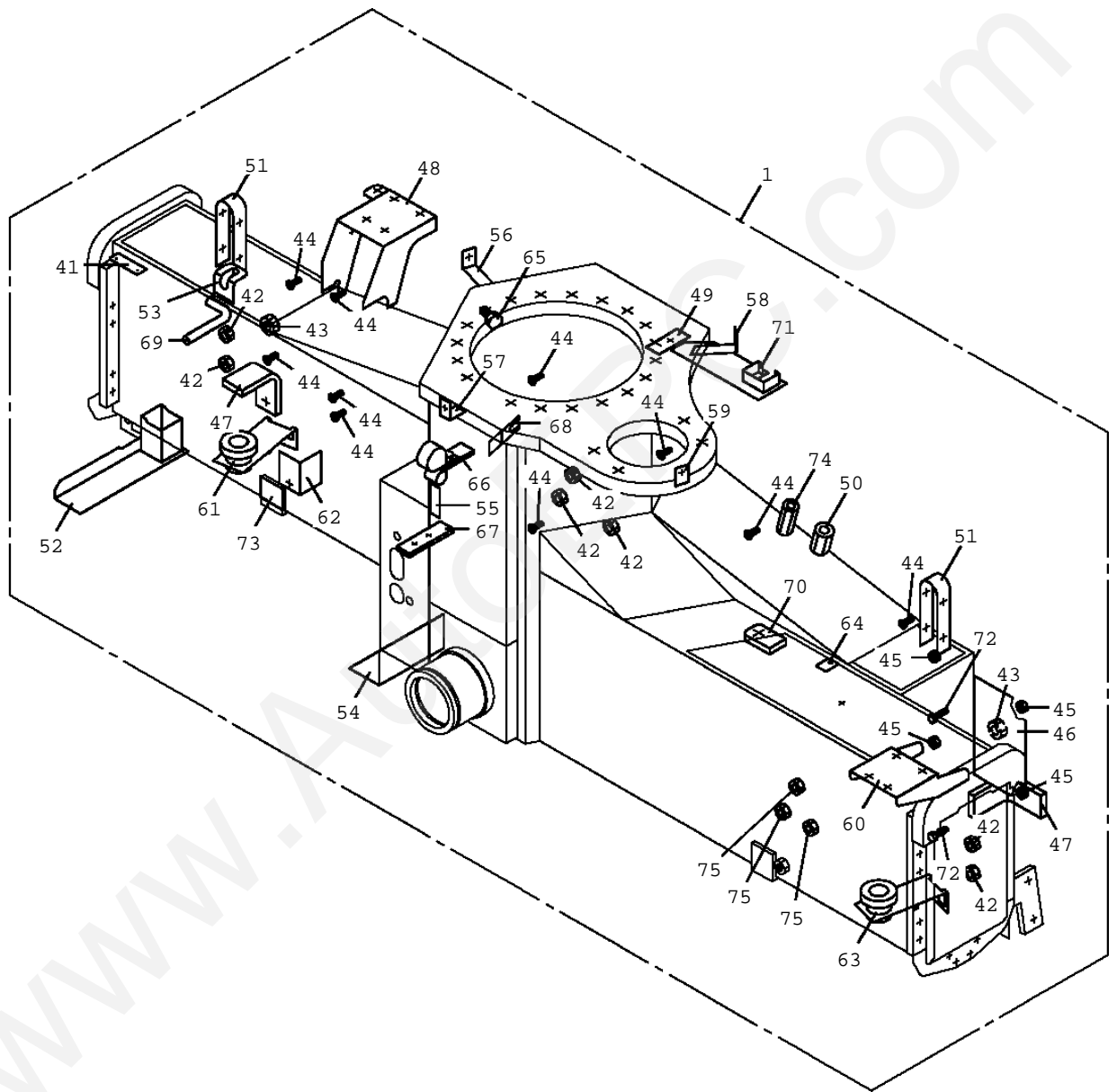
Pos No.	Parts No	Parts Name	Qty	Unit	Technical Data	Serial No (Start)
1	31950472000	LOCK ASSY	1			
2	90203201000	NUT	2		M10	
3	90172110055	BOLT, HEXAGON SOCKET	2		M10X55	
4	90172110020	BOLT, HEXAGON SOCKET	4		M10X20	
5	31950492000	LOCK ASSY	1			
6	90303071001	WASHER, PLAIN	4		10	
21	31950300402	SUPPORT	1			
	31950300460	SUPPORT (STEEL CAST)	1			
22	37000537270	PLATE	4			
23	31950491100	LEVER	2			
24	37001400341	SPRING	1			
25	31950300602	HOOK	2			
26	37001510080	BOLT, HEXAGON SOCKET	2			
27	90303071201	WASHER, PLAIN	2		12	
28	82400000527	CAP	2			
29	90203201200	NUT	2		M12	
30	37000400510	BEARING, PLAIN	4			
31	80824001206	BEARING, PLAIN	2			
41	31950330720	SUPPORT (STEEL CAST)	1			
	31950330702	SUPPORT	1			
44	37001400351	SPRING	1			

www.AutoEPC.com

TM-ZR360 41102310070A FRAME/SL, MANUAL, HOOK-IN  
PK1011168-00 FRAME



TM-ZR360 41102310070A FRAME/SL, MANUAL, HOOK-IN  
PK1011168-00 FRAME

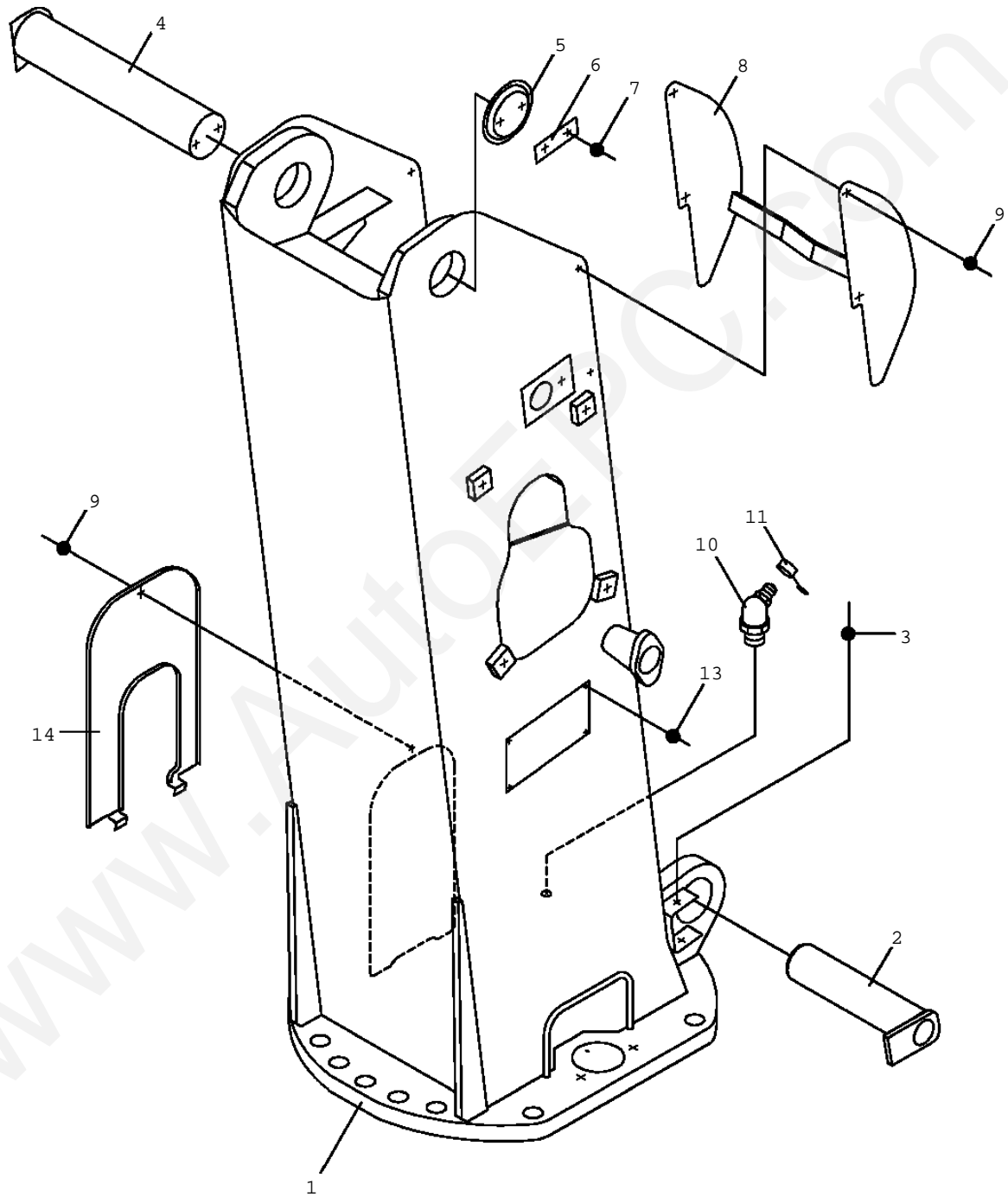


**TM-ZR360 41102310070A FRAME/SL, MANUAL, HOOK-IN**

Pos No.	Parts No	Parts Name	Qty	Unit	Technical Data	Serial No (Start)	Serial No (End)
1	31623150103	FRAME ASSY	1				
2	82459103000	NIPPLE, GREASE	1		C-PT1/8		
3	82400000459	CAP	1				
4	31623080200	FRAME	1				
5	37000520580	PLATE	1				
6	80601110950	RING, RITAINING	1		S95		
7	90203201600	NUT	2		M16		
8	90101216045	BOLT	2		M16X45		
9	37000130970	PIN	2		L=24		
10	80136820010	PIN, SPLIT	2		2X10		
11	31622110300	PIN	2				
12	37001201780	SPRING	2				
13	19114207000	KNOB (BLACK)	2				
14	31622260200	LEVER	1				
15	31622260300	LEVER	1				
16	31622202200	SHIM	4		T=1.6		
17	31622042200	SPACER	4				
18	31622042300	SHIM	N		T=0.5		
19	90186208020	BOLT, FLANGE	8		M8X20		
20	90186206010	BOLT, FLANGE	4		M6X10		
21	31201770100	PLATE, SLIDE	4		T=3.0		
22	31623410200	SHIM	2				
23	31623410300	SHIM (T=0.5)	N				
24	82400000499	LEVEL	1		SM250		
25	80175803020	SCREW, MACHINE	2		M3X20		
26	82400000475	PLATE	4				
41	37000574930	PLATE	1				
42	37001600860	NUT	7		M8X15		
43	37001601060	NUT	2				
44	90190000008	BOLT, STUD	10		M6X20		
45	37001602100	NUT	4		M6		
46	31623082100	SUPPORT	1				
47	31622072000	SUPPORT	2				
48	31623152100	SUPPORT	1				
49	37000572550	PLATE	1				
50	37001600920	NUT	1		M10		
51	31621964100	SUPPORT	2				
52	31623152200	SUPPORT	1				
53	31621964700	SUPPORT	1				
54	31623152300	SUPPORT	1				
55	31622204200	SUPPORT	1				
56	31621963700	SUPPORT	1				
57	31621963900	SUPPORT	1				
58	31621963800	SUPPORT	1				
59	31620580250	PLATE	1				
60	31623152400	SUPPORT	1				
61	31622112200	SUPPORT	1				
62	31621964400	SUPPORT	1				
63	31622112300	SUPPORT	1				
64	31623152800	PLATE	1				
65	90101208012	BOLT	1		M8X12		
66	31623152500	CLAMP ASSY	1				
67	37000572570	PLATE	1				
68	31623082300	PLATE	1				
69	31622072200	SUPPORT	1				
70	31623152600	PLATE	1				
71	31623152700	SUPPORT	1				
72	90101206012	BOLT	2		M6X12		
73	37000573420	PLATE	1				
74	37001602200	NUT	1				
75	37001602170	NUT	3				



TM-ZR360 41102310070A FRAME/SL, MANUAL, HOOK-IN  
PK1100453-00 SWING FRAME

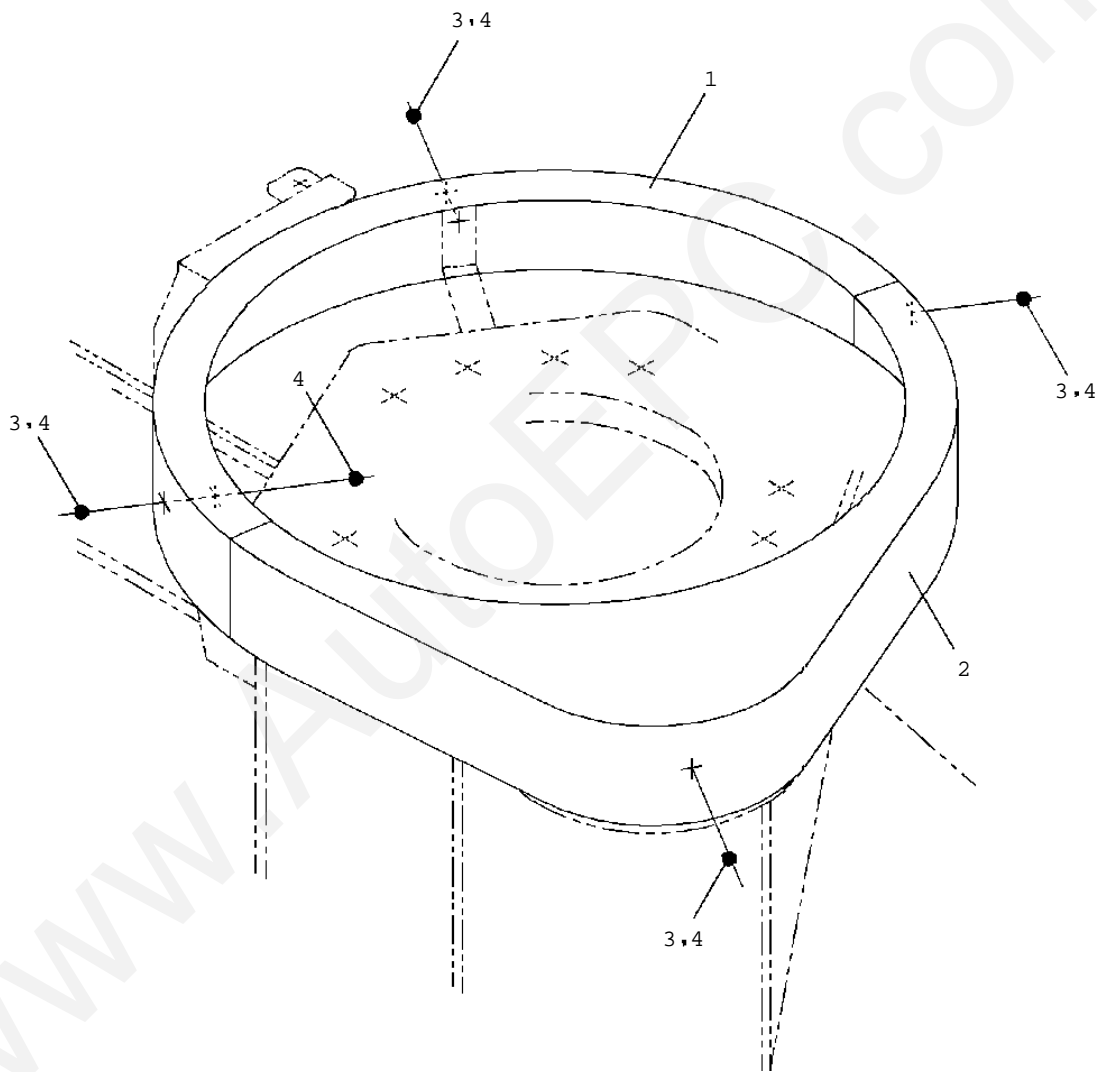


**TM-ZR360 41102310070A FRAME/SL,MANUAL,HOOK-IN**

Pos No.	Parts No	Parts Name	Qty	Unit	Technical Data	Serial No (Start)	Seri
1	31230889510	POST	1				
2	37000202780	PIN (WELDING)	1				
	37000205240	PIN (MACHINING)	1				
3	80136363080	PIN,SPLIT	1		6.3X80		
4	37000202270	PIN (WELDING)	1				
	37000205260	PIN (MACHINING)	1				
5	31230412000	COVER	1				
6	37000527860	PLATE	1				
7	90101210016	BOLT	2		M10X16		
8	31230880200	COVER	1				
9	90186208010	BOLT,FLANGE	5		M8X10		
10	82458202000	NIPPLE,GREASE	1		B-TYPE PT1/8		
11	82400000459	CAP	1				
13	90451700100	SCREW,TAPPING	4		M4X6.4		
14	31230883500	COVER (PLASTIC)	1				
	31230883000	COVER (IRON)	1				

www.AutoEPC.com

TM-ZR360 41102310070A FRAME/SL, MANUAL, HOOK-IN  
PK1330102-00 COVER (SWING BEARING)

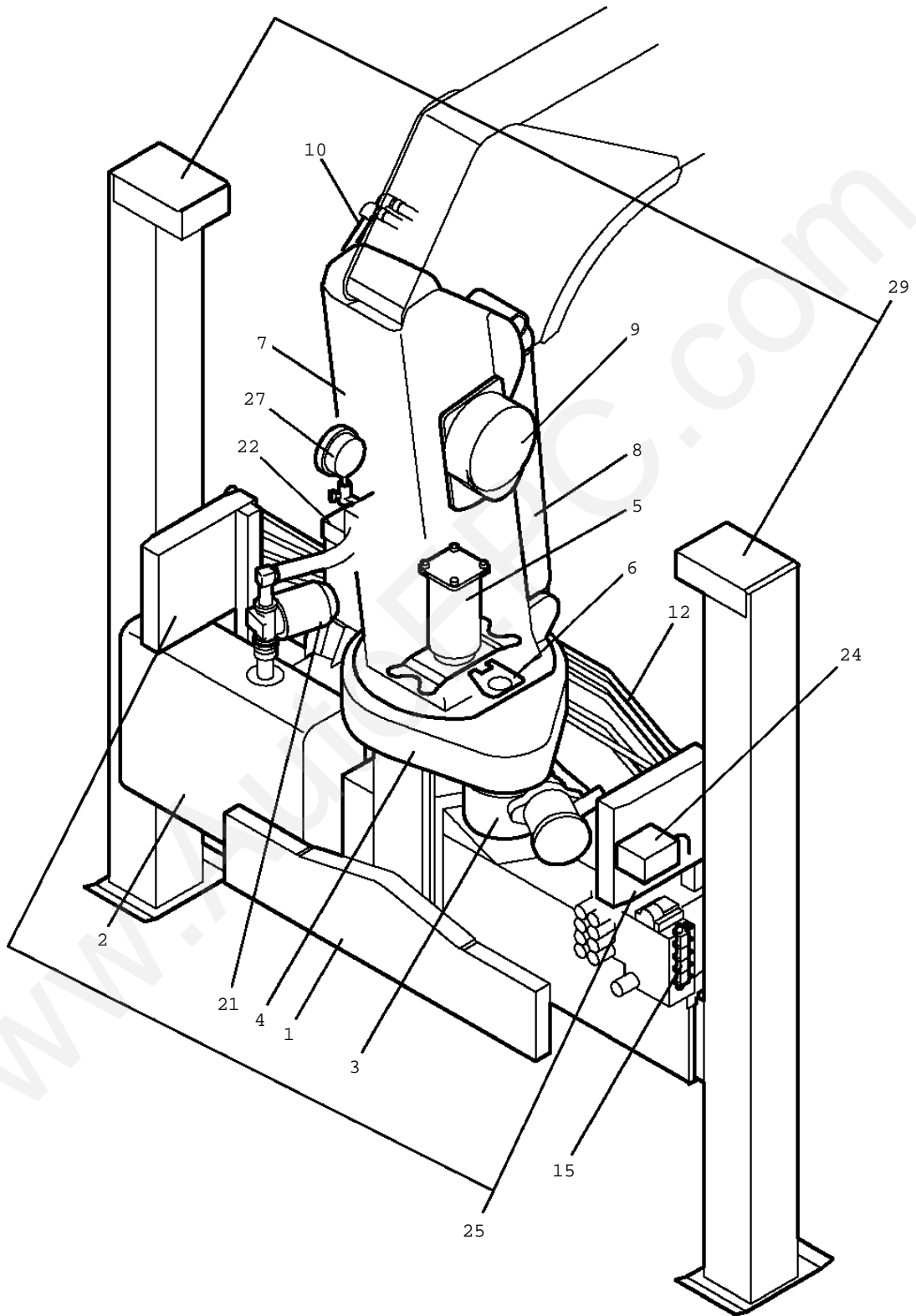


**TM-ZR360 41102310070A FRAME/SL,MANUAL,HOOK-IN**

Pos No.	Parts No	Parts Name	Qty	Unit	Technical Data	Serial No (Start)	Serial
1	31301360100	COVER	1				
2	31301360200	COVER	1				
3	80183308014	SCREW,MACHINE	4		M8X14		
4	90303071001	WASHER,PLAIN	5		10		

www.AutoEPC.com

TM-ZR360 41102310070A FRAME/SL, MANUAL, HOOK-IN  
PK2000868-00 FRAME UNIT

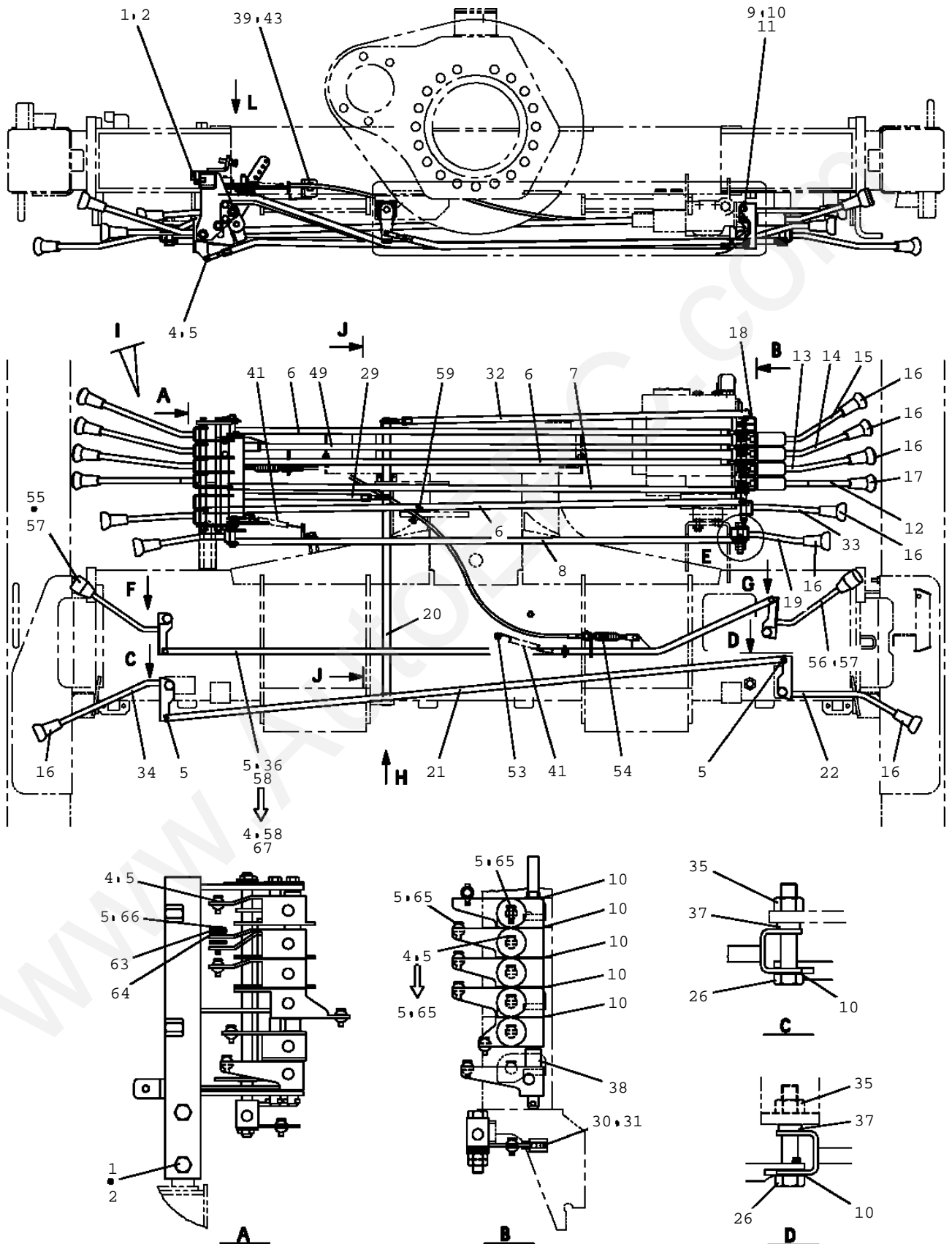


**TM-ZR360 41102310070A FRAME/SL,MANUAL,HOOK-IN**

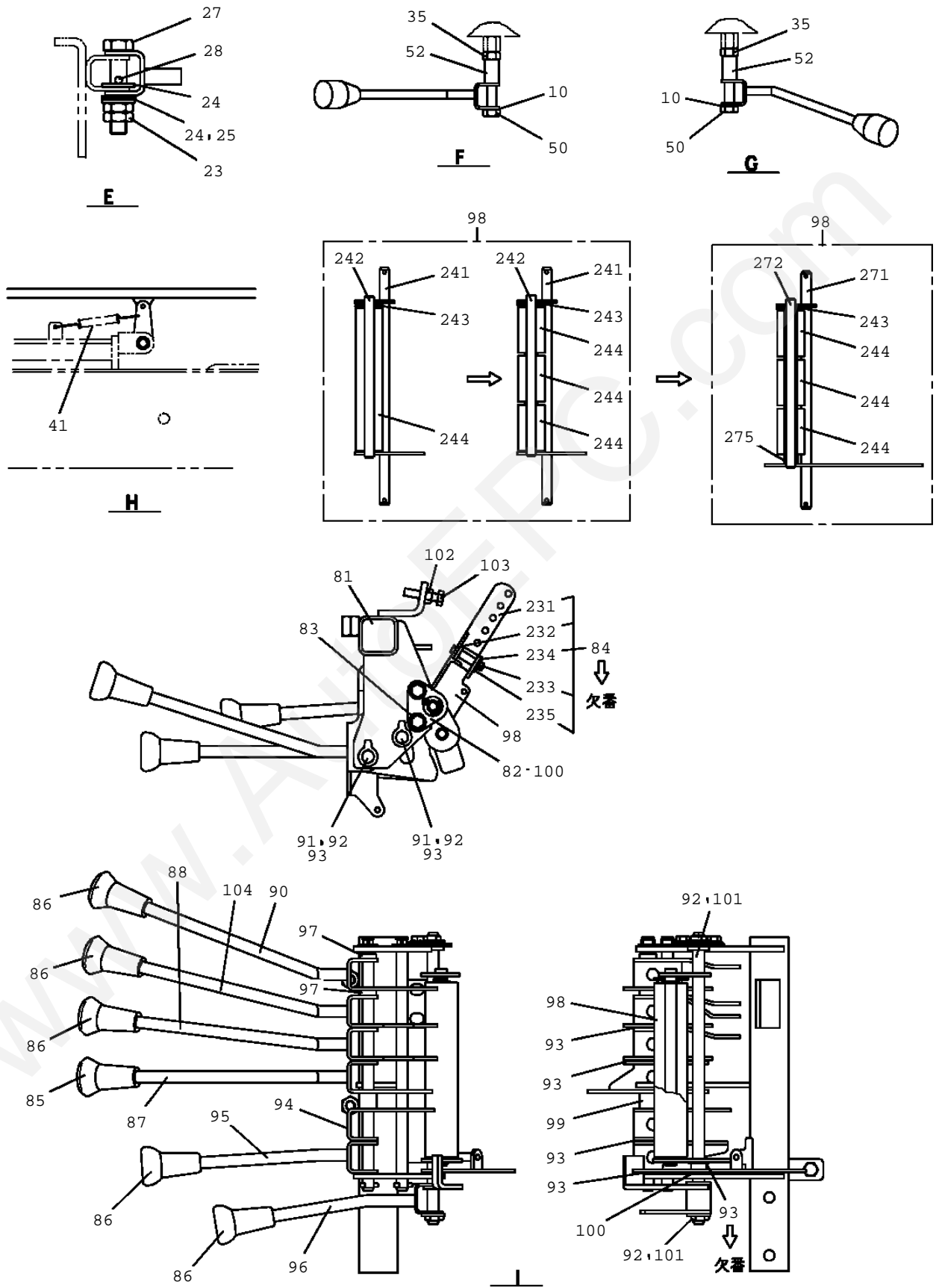
Pos No.	Parts No	Parts Name	Qty	Unit	Technical D
1	(*****)	FRAME	1		
2	(*****)	TANK,OIL (MOUNT)	1		
3	(*****)	REDUCER,SWING SPEED (MOUNT)	1		
4	(*****)	COVER (SWING BEARING)	1		
5	31631640000	JOINT,ROTARY	1		
6	(*****)	STOPPER,ROTARY JOINT	1		
7	(*****)	SWING FRAME	1		
8	(*****)	CYLINDER,ELEVATING	1		
9	(*****)	MOUNT,WINCH	1		
10	(*****)	PIPING,UPPER	1		
12	(*****)	OPE.ASSY,CONT.VALVE (CRANE)	1		
15	(*****)	OPE.ASSY,CONT.VALVE (REMOCON)	1		
21	(*****)	PIPING,LOWER	1		
22	(*****)	PIPING,LOWER (VALVE/NABCO)	1		
24	(*****)	ELECTRICAL ACCESSORIES	1		
25	(*****)	ELEC.ASSY (SWITCH COVER)	1		
27	36682150000	METER,LOAD (2.9TON KUSABA/ENG.& JAPANESE)	1		
	36682160000	METER,LOAD (2.9TON NAGANO/ENG.& JAPANESE)	1		
29	(*****)	OUTRIGGER (FOR 4TON)	1		
	(*****)	OUTRIGGER (FOR 6TON)	1		

www.AutoEPC.com

TM-ZR360 41102310070A FRAME/SL, MANUAL, HOOK-IN  
 PL1010805-04 OPE.ASSY, CONT.VALVE (CRANE)

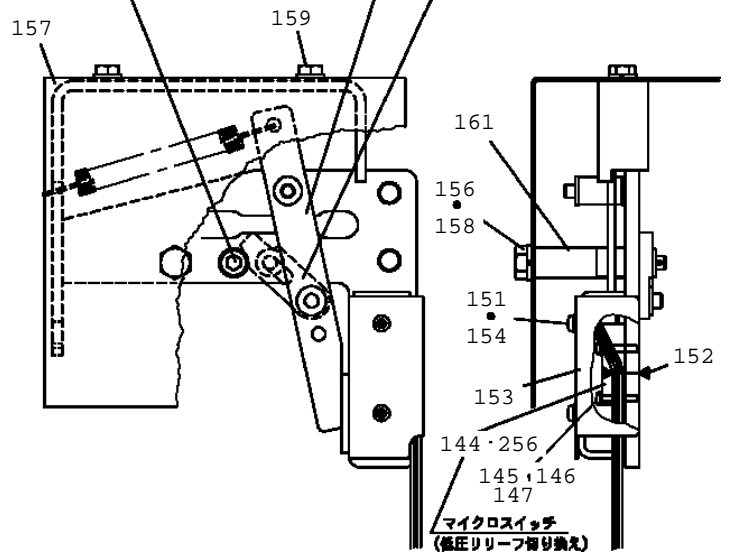
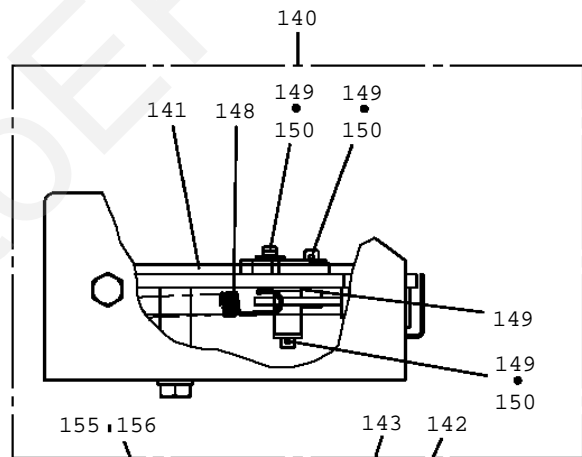
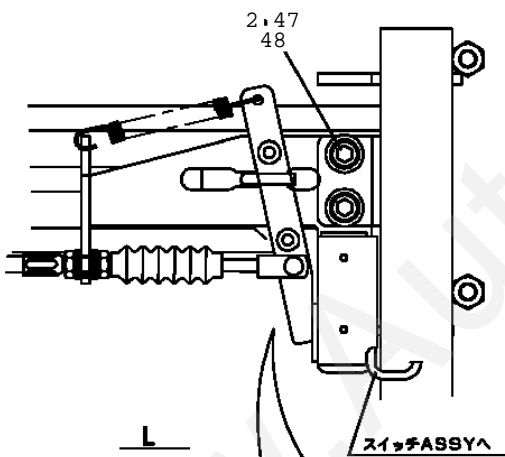
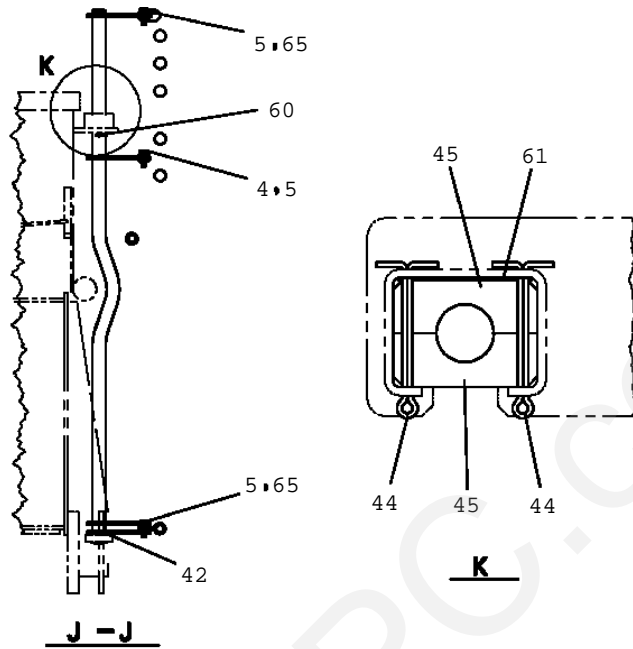


TM-ZR360 41102310070A FRAME/SL, MANUAL, HOOK-IN  
 PL1010805-04 OPE.ASSY, CONT.VALVE (CRANE)

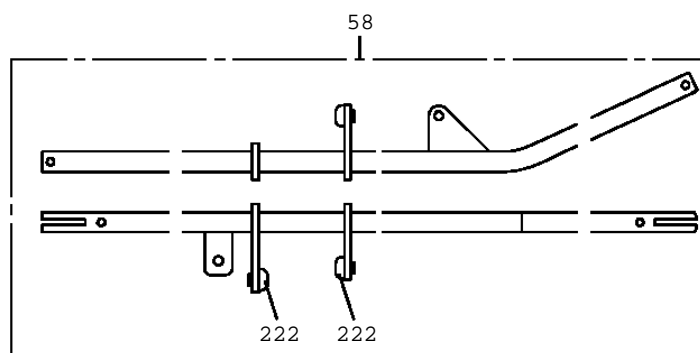
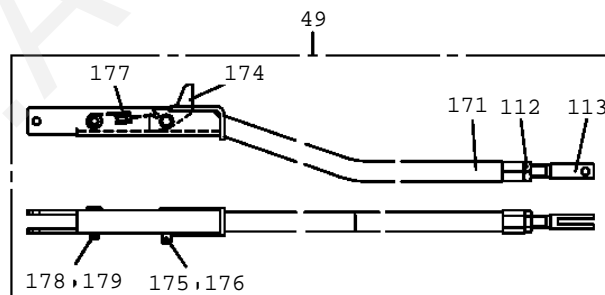
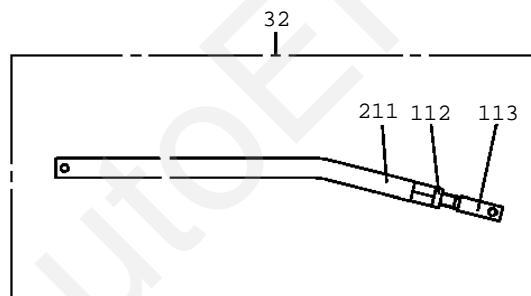
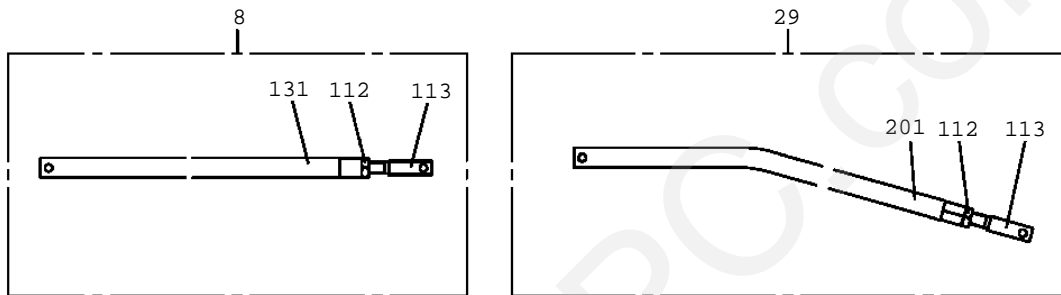
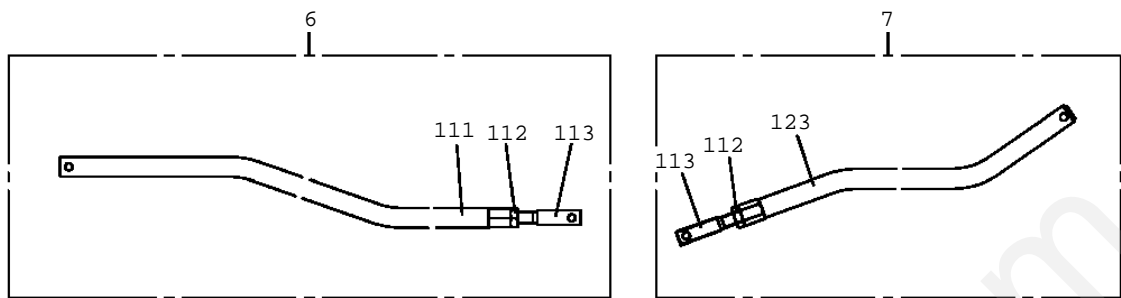




TM-ZR360 41102310070A FRAME/SL, MANUAL, HOOK-IN  
 PL1010805-04 OPE.ASSY, CONT. VALVE (CRANE)



TM-ZR360 41102310070A FRAME/SL, MANUAL, HOOK-IN  
PL1010805-04 OPE.ASSY, CONT.VALVE (CRANE)



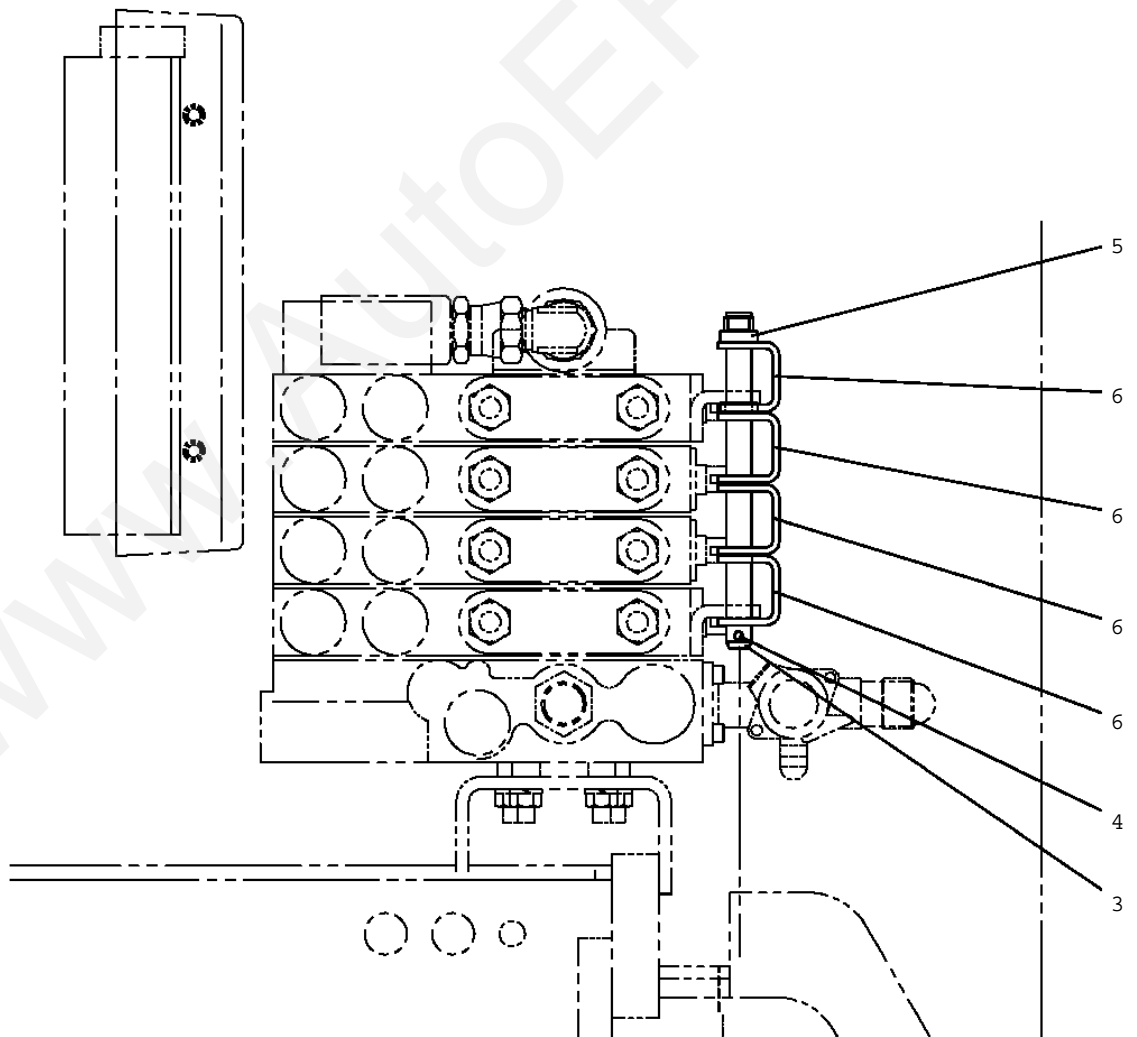
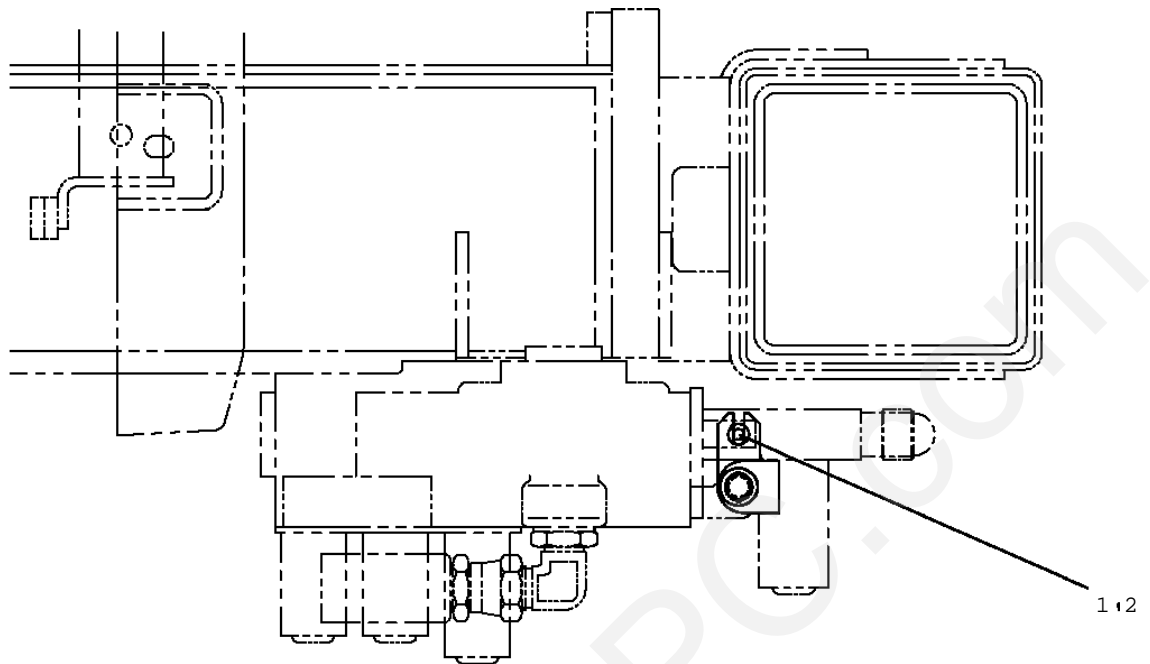
**TM-ZR360 41102310070A FRAME/SL, MANUAL, HOOK-IN**

Pos No.	Parts No	Parts Name	Qty	Unit	Technical Data	Serial No (S
1	90171110016	BOLT	4		M10X16	
2	90302041001	WASHER, SPRING	6		10	
4	37000105610	PIN	18		L=18	
5	80620210050	PIN, SNAP	25			
6	31322102100	ROD ASSY	3			
7	31322032600	ROD ASSY	1			
8	31322032300	ROD ASSY	1			
9	37000164970	PIN	1			
10	31322224200	PLATE	9		L=1	
11	80136840020	PIN, SPLIT	1		4X20	
12	31323340450	LEVER	1			
13	31323340350	LEVER	1			
14	31323340250	LEVER	1			
15	31323340150	LEVER	1			
16	31323330100	KNOB (BLACK)	7			
17	31323330200	KNOB (RED)	1			
18	31323340101	FORK	1			
19	31323330750	LEVER	1			
20	31323340501	SUPPORT	1			
21	31323340401	ROD	1			
22	31323340300	LEVER	1			
23	90203201200	NUT	2		M12	
24	90303071201	WASHER, PLAIN	2		12	
25	90309331205	WASHER, CONICAL SPRING	2		L12	
26	90101212070	BOLT	2		M12X70	
27	31322050600	BOLT	1			
28	80136850025	PIN, SPLIT	1			
29	31323342300	ROD ASSY	1			
30	12434402040	SPRING	1			
31	80172305008	SCREW, MACHINE	2		M5X8	
32	31323342101	ROD ASSY	1			
33	31323340600	LEVER	1			
34	31323340200	LEVER	1			
35	90201201200	NUT	4		M12	
37	37000311460	SPACER	2		L=5	
38	37000311490	SPACER	1		L=20	
39	90186210014	BOLT, FLANGE	1		M10X14	
41	37001300530	SPRING	3			
42	80824001610	BEARING, PLAIN	1			
43	31322100100	SUPPORT	1			
44	80136332045	PIN, SPLIT	2			
45	31323340701	PLATE	2			
47	90172110018	BOLT, HEXAGON SOCKET	2		M10X18	
48	90303071001	WASHER, PLAIN	2		10	
49	31323130201	ROD ASSY	1			
50	90101212085	BOLT	2		M12X85	
52	37000311510	SPACER	2		L=30	
53	90101208040	BOLT	1		M8X40	
54	37001707920	CABLE, CONTROL	1			
55	31323130500	LEVER	1			
56	31323130600	LEVER	1			
57	31320020010	KNOB (BLACK)	2			
58	31323310100	ROD ASSY	1			
59	91810130240	FASTENER	1			
60	80620210160	PIN, SNAP	1			
61	31323340800	SHIM	N			
63	37000551250	PLATE	3			
64	37000562510	PLATE	1		T=0.5	
65	37000171010	PIN	5			
66	31322380200	PIN	1			
67	80136820010	PIN, SPLIT	1		2X10	
81	31323341101	SUPPORT	1			
82	31322031150	SUPPORT	1			
83	90186208010	BOLT, FLANGE	2		M8X10	
85	31323330200	KNOB (RED)	1			
86	31323330100	KNOB (BLACK)	5			
87	31323341850	LEVER	1			
88	31323341800	LEVER	1			
90	31323341650	LEVER	1			
91	37000164920	PIN	2			
92	80136840020	PIN, SPLIT	4		4X20	
93	31322224200	PLATE	6		L=1	
94	31323341200	FORK	1			
95	31323340600	LEVER	1			

**TM-ZR360 41102310070A FRAME/SL,MANUAL,HOOK-IN**

Pos No.	Parts No	Parts Name	Qty	Unit	Technical Data	Serial No (S
96	31323331450	LEVER	1			
97	37000311460	SPACER	2		L=5	
98	31323331201	LINK	1			
99	37000311190	SPACER	1		L=16	
100	80824001206	BEARING,PLAIN	2			
101	90303071201	WASHER,PLAIN	2		12	
102	90201200800	NUT	1		M8	
103	90102208035	BOLT	1		M8X35	
104	31323341751	LEVER	1			
111	31322032000	ROD	3			
112	90203200800	NUT	8		M8	
113	31320810210	END	8			
123	31322032650	ROD	1			
131	31322032350	ROD	1			
140	31323138011	LINK ASSY	1			
141	31323132101	SUPPORT	1			
142	31323132201	LINK	1			
143	31323132301	LINK	1			
144	31323132500	SWITCH ASSY (WITH HARNESS)	1			
145	80192483016	SCREW,MACHINE	2		M3X16	
148	16314010000	SPRING	1			
149	90303070601	WASHER,PLAIN	4		6	
150	80136320010	PIN,SPLIT	3		2X10	
151	90302040401	WASHER,SPRING	2		4	
152	91810130240	FASTENER	1			
153	31323132400	COVER	1			
154	80171304008	SCREW,MACHINE	2		M4X8	
155	90172108012	BOLT,HEXAGON SOCKET	1		M8X12	
156	90302040801	WASHER,SPRING	2		8	
157	31323132600	COVER	1			
158	90101208050	BOLT	1		M8X50	
159	90186206010	BOLT,FLANGE	2		M6X10	
161	37000310680	SPACER	1			
171	31323130301	ROD	1			
174	31323130401	PLATE	1			
175	80620210060	PIN,SNAP	1			
176	37000116610	PIN	1			
177	37001300540	SPRING	1			
178	37000101210	PIN	1			
179	80620210050	PIN,SNAP	1			
201	31323342400	ROD	1			
211	31323342201	ROD	1			
222	82466003005	INSULATOR	2			
243	80620210120	PIN,SNAP	1			
244	31323141350	ROLLER	3			
256	82104420660	SWITCH,LIMIT	1			
271	31323331251	LINK	1			
272	31323331301	PIN	1			
275	37000311480	SPACER	1		L=10	

TM-ZR360 41102310070A FRAME/SL, MANUAL, HOOK-IN  
PL1010807-01 OPE.ASSY, CONT. VALVE (REMOCON)

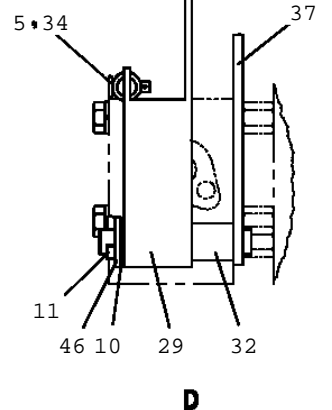
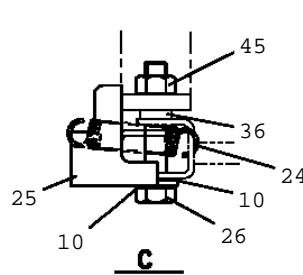
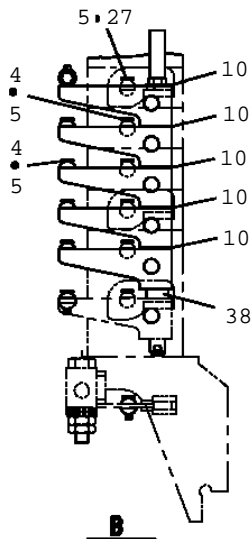
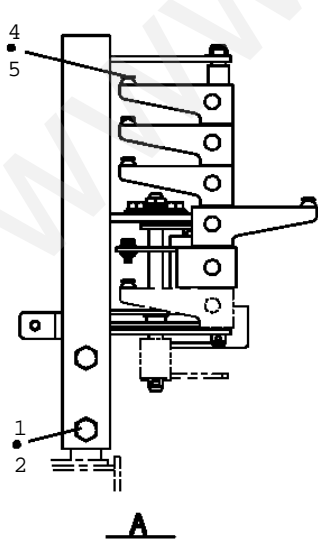
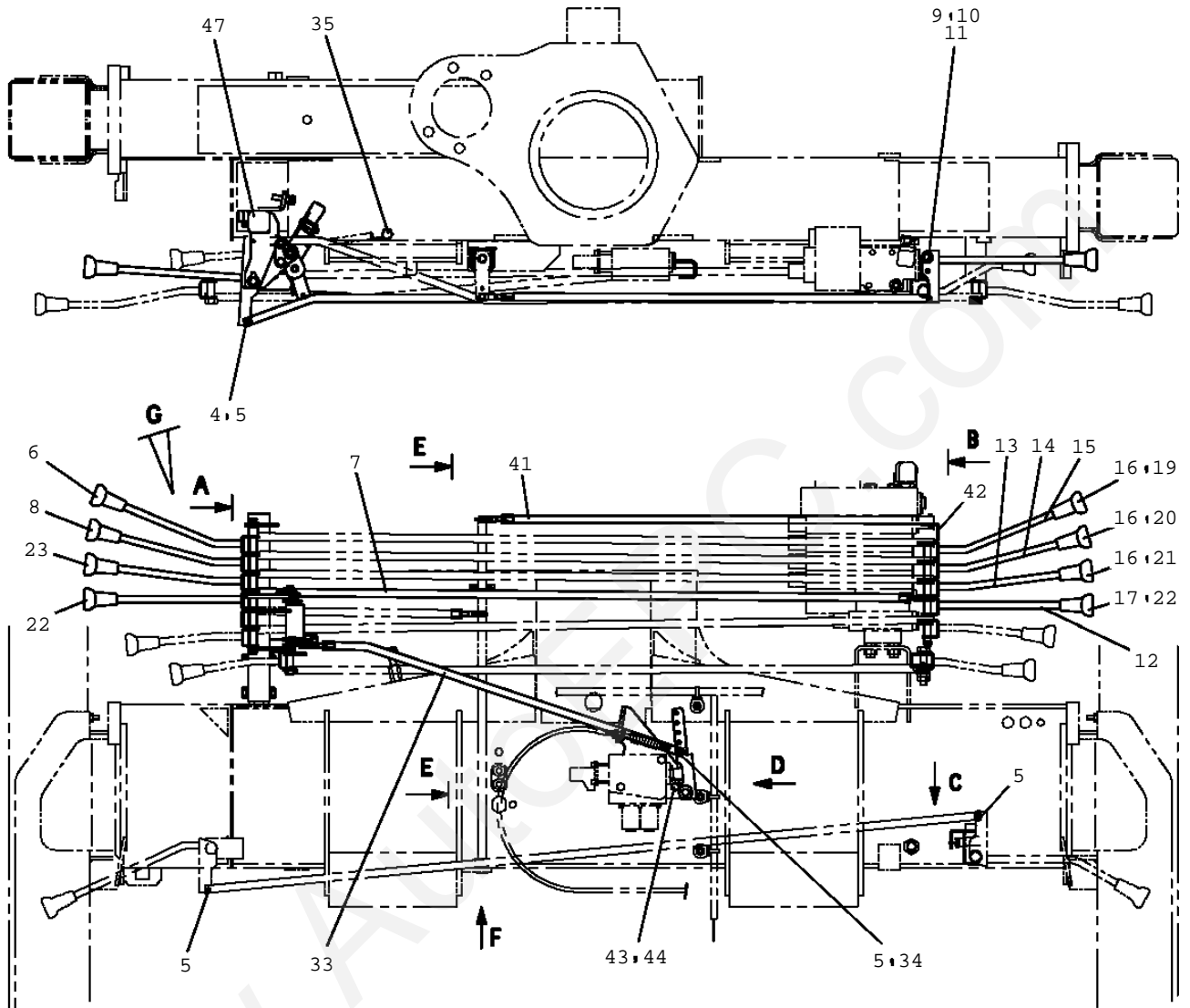


**TM-ZR360 41102310070A FRAME/SL, MANUAL, HOOK-IN**

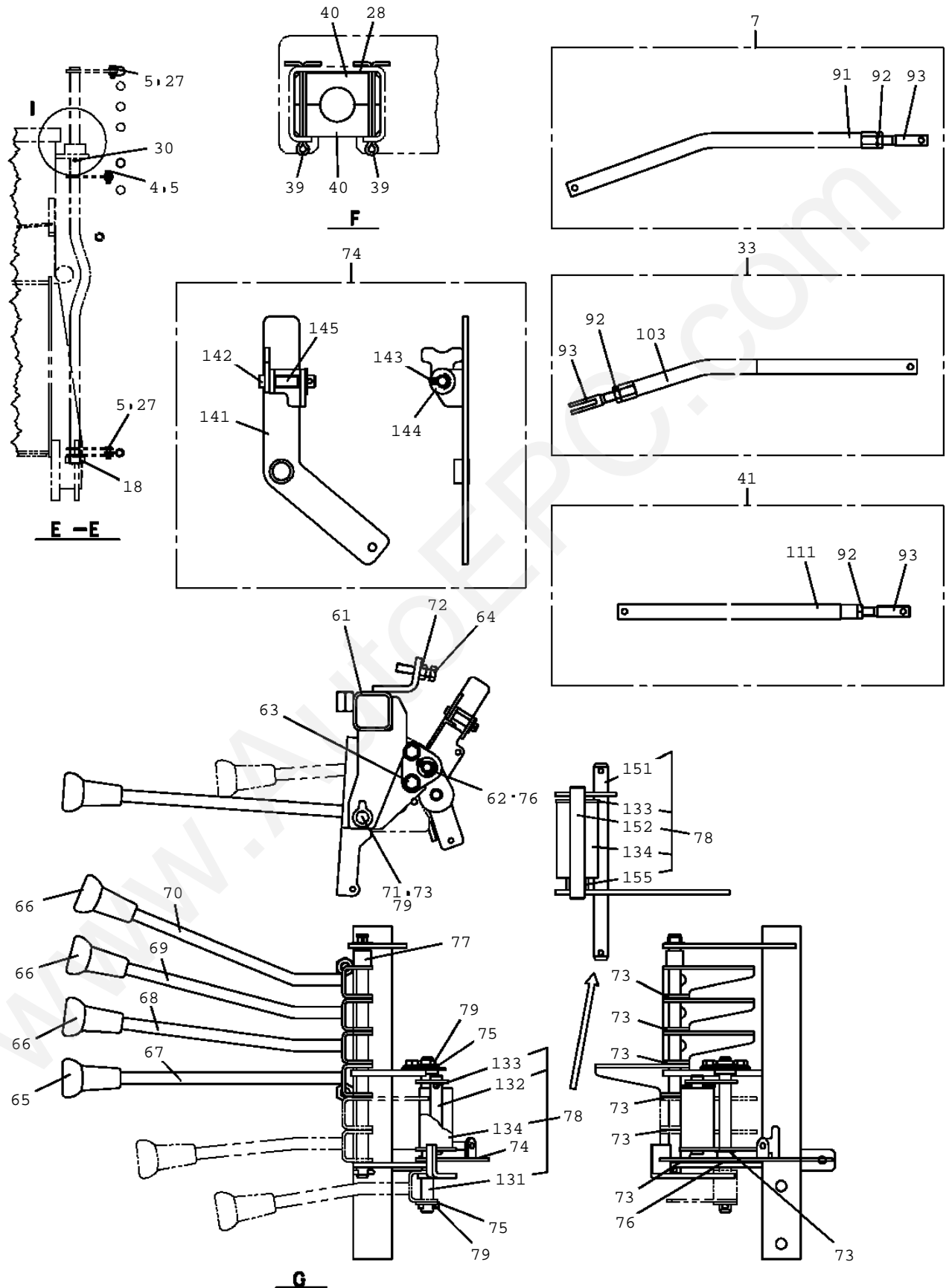
Pos No.	Parts No	Parts Name	Qty	Unit	Technical Data	Serial No (Start)	Serial No
1	37000105610	PIN	4		L=18		
2	80620210050	PIN, SNAP	4				
3	37000174200	PIN	1				
4	80136840020	PIN, SPLIT	1		4X20		
5	37000311460	SPACER	1		L=5		
6	31322160150	FORK	4				

www.AutoEPC.com

TM-ZR360 41102310070A FRAME/SL, MANUAL, HOOK-IN  
 PL1010815-03 OPE.ASSY, CONT.VALVE (RADIO CONTROL)



TM-ZR360 41102310070A FRAME/SL, MANUAL, HOOK-IN  
PL1010815-03 OPE.ASSY, CONT. VALVE (RADIO CONTROL)

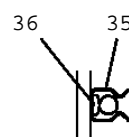
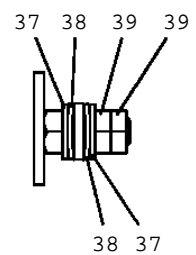
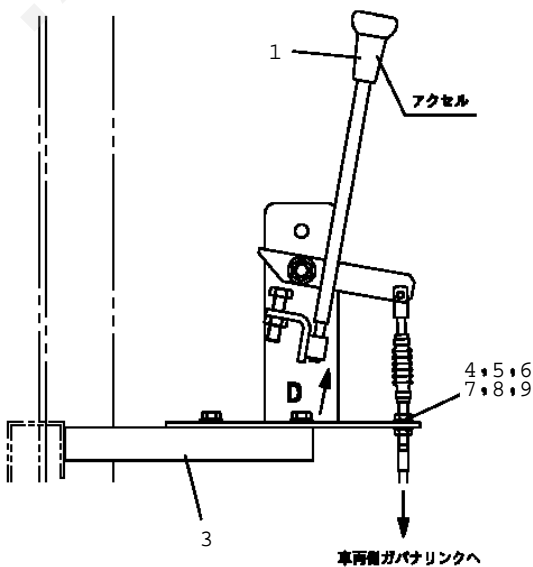
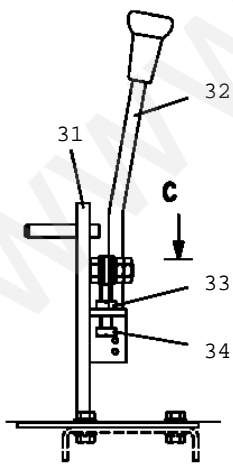
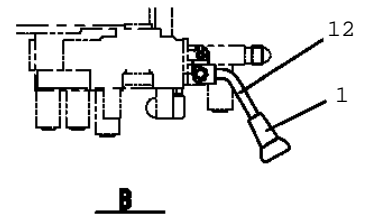
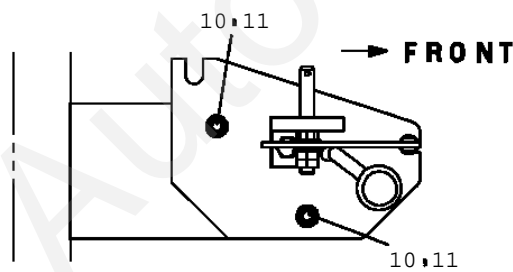
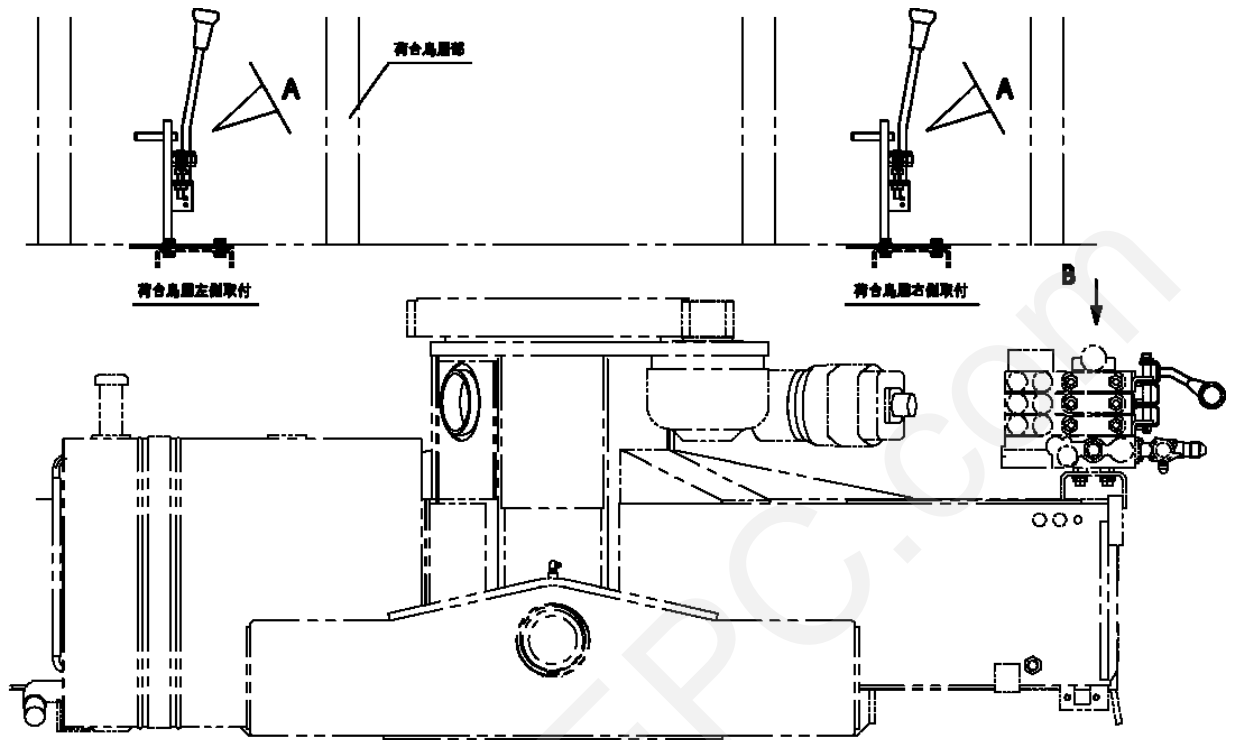




**TM-ZR360 41102310070A FRAME/SL, MANUAL, HOOK-IN**

Pos No.	Parts No	Parts Name	Qty	Unit	Technical Data	Serial No (Start)	Serial
1	90171110016	BOLT	4		M10X16		
2	90302041001	WASHER, SPRING	4		10		
4	37000105610	PIN	20		L=18		
5	80620210050	PIN, SNAP	27				
6	37002220530	PLATE, NAME	1				
7	31322052600	ROD ASSY	1				
8	37002220540	PLATE, NAME	1				
9	37000164930	PIN	1				
10	31322224200	PLATE	8		L=1		
11	80136840020	PIN, SPLIT	2		4X20		
12	31323140450	LEVER	1				
13	31323140350	LEVER	1				
14	31323140250	LEVER	1				
15	31323140150	LEVER	1				
16	31323330100	KNOB (BLACK)	3				
17	31323330200	KNOB (RED)	1				
18	80824001610	BEARING, PLAIN	1				
19	37002220460	PLATE, NAME	1				
20	37002220470	PLATE, NAME	1				
21	37002220480	PLATE, NAME	1				
22	37002220490	PLATE, NAME	2				
23	37002220550	PLATE, NAME	1				
24	37001300390	SPRING	1				
25	31323300100	STOPPER	1				
26	90101212070	BOLT	1		M12X70		
27	37000171010	PIN	3				
28	31323340800	SHIM	3				
29	31323144300	LINK	1				
30	80620210160	PIN, SNAP	1				
32	37000311490	SPACER	1		L=20		
33	31323144000	ROD ASSY	1				
34	37000147840	PIN	1				
35	90191210050	BOLT	1		M10X50		
36	37000311460	SPACER	1		L=5		
37	31323144200	SUPPORT	1				
38	37000311470	SPACER	1		L=8		
39	80136332045	PIN, SPLIT	2				
40	31323340701	PLATE	2				
41	31323302100	ROD ASSY	1				
42	31321960100	FORK	1				
43	90101208016	BOLT	1		M8X16		
44	90302040801	WASHER, SPRING	1		8		
45	90201201200	NUT	1		M12		
46	90303071201	WASHER, PLAIN	1		12		
47	31270212000	CAP	1				
61	31323301100	SUPPORT	1				
62	31322031150	SUPPORT	1				
63	90186208010	BOLT, FLANGE	2		M8X10		
64	90102208035	BOLT	1		M8X35		
65	31323330200	KNOB (RED)	1				
66	31323330100	KNOB (BLACK)	3				
67	31323141850	LEVER	1				
68	31323140350	LEVER	1				
69	31323140250	LEVER	1				
70	31323140150	LEVER	1				
71	37000175340	PIN	1				
72	90201200800	NUT	1		M8		
73	31322224200	PLATE	7		L=1		
75	90303071201	WASHER, PLAIN	2		12		
76	80824001206	BEARING, PLAIN	2				
77	37000311190	SPACER	1		L=16		
78	31323141201	LINK	1				
79	80136840020	PIN, SPLIT	3		4X20		
91	31322052650	ROD	1				
92	90203200800	NUT	3		M8		
93	31320810210	END	3				
103	31323144100	ROD	1				
111	31323302200	ROD	1				
133	80620210120	PIN, SNAP	1				
134	31323141350	ROLLER	1				
151	31323141251	LINK	1				
152	31323141301	PIN	1				
155	37000311480	SPACER	1		L=10		

TM-ZR360 41102310070A FRAME/SL, MANUAL, HOOK-IN  
 PL1010817-01 OPE.ASSY, CONT.VALVE (SL WINCH, S-RADICON)



**A**

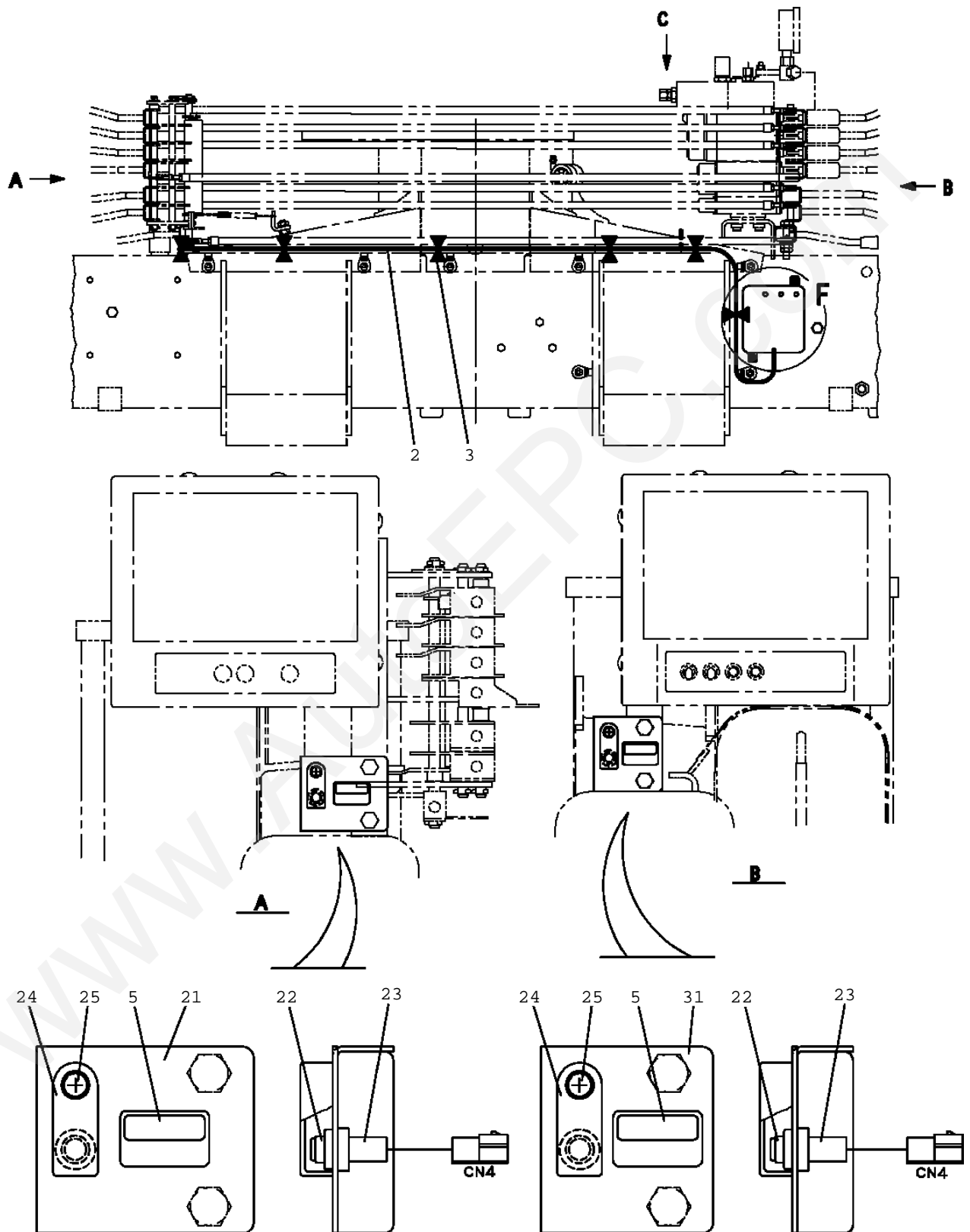
**D**

**TM-ZR360 41102310070A FRAME/SL,MANUAL,HOOK-IN**

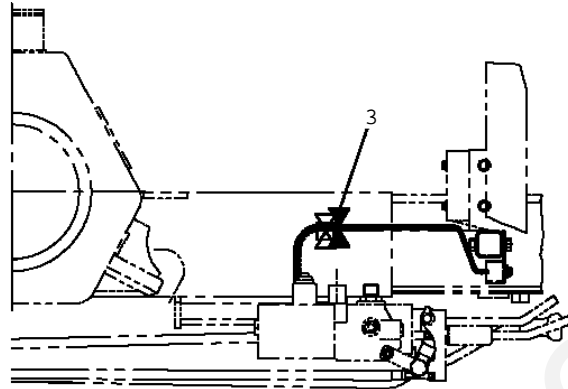
Pos No.	Parts No	Parts Name	Qty	Unit	Technical Data	Serial No (Start)	Serial
1	31323330100	KNOB (BLACK)	2				
3	31320190090	SUPPORT	1				
4	31710230300	SUPPORT	1				
5	80136332016	PIN,SPLIT	1		3.2X16		
6	90303070601	WASHER,PLAIN	1		6		
7	52442101000	PIN	1				
8	31710230100	LINK	1				
9	37001706340	CABLE,CONTROL	1		L=4000		
10	90186210025	BOLT,FLANGE	2		M10X25		
11	90280201000	NUT,FLANGE	2		M10		
12	31322160301	LEVER	1				
31	31322431200	SUPPORT	1				
32	31322431301	LEVER	1				
33	90203201000	NUT	1		M10		
34	90101210040	BOLT	1		M10X40		
35	12434402040	SPRING	1				
36	80172105006	SCREW,MACHINE	2		M5X6		
37	90303071201	WASHER,PLAIN	2		12		
38	90309331201	WASHER	2		L12		
39	90203201200	NUT	2		M12		

www.AutoEPC.com

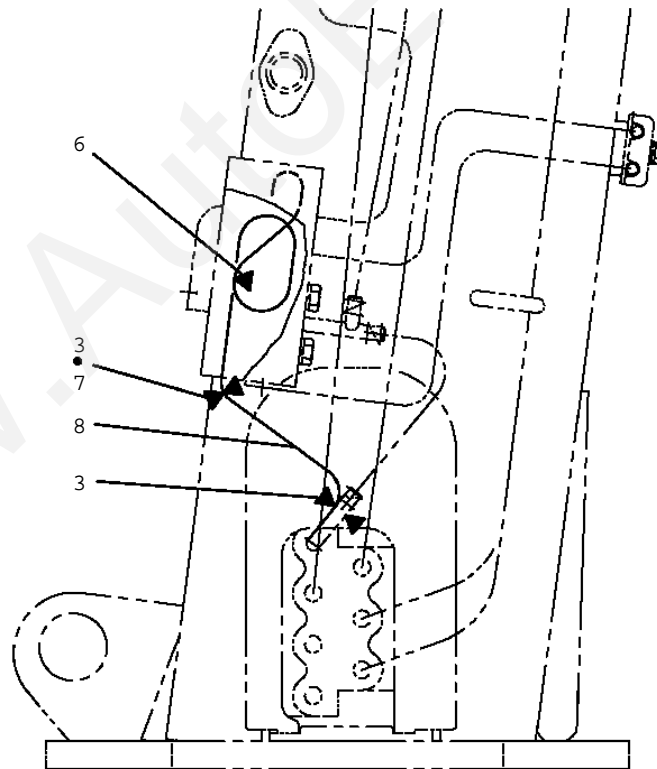
TM-ZR360 41102310070A FRAME/SL, MANUAL, HOOK-IN  
PN1012300-03 ELEC.ASSY (DRUM FREE)



TM-ZR360 41102310070A FRAME/SL, MANUAL, HOOK-IN  
PN1012300-03 ELEC.ASSY (DRUM FREE)



3



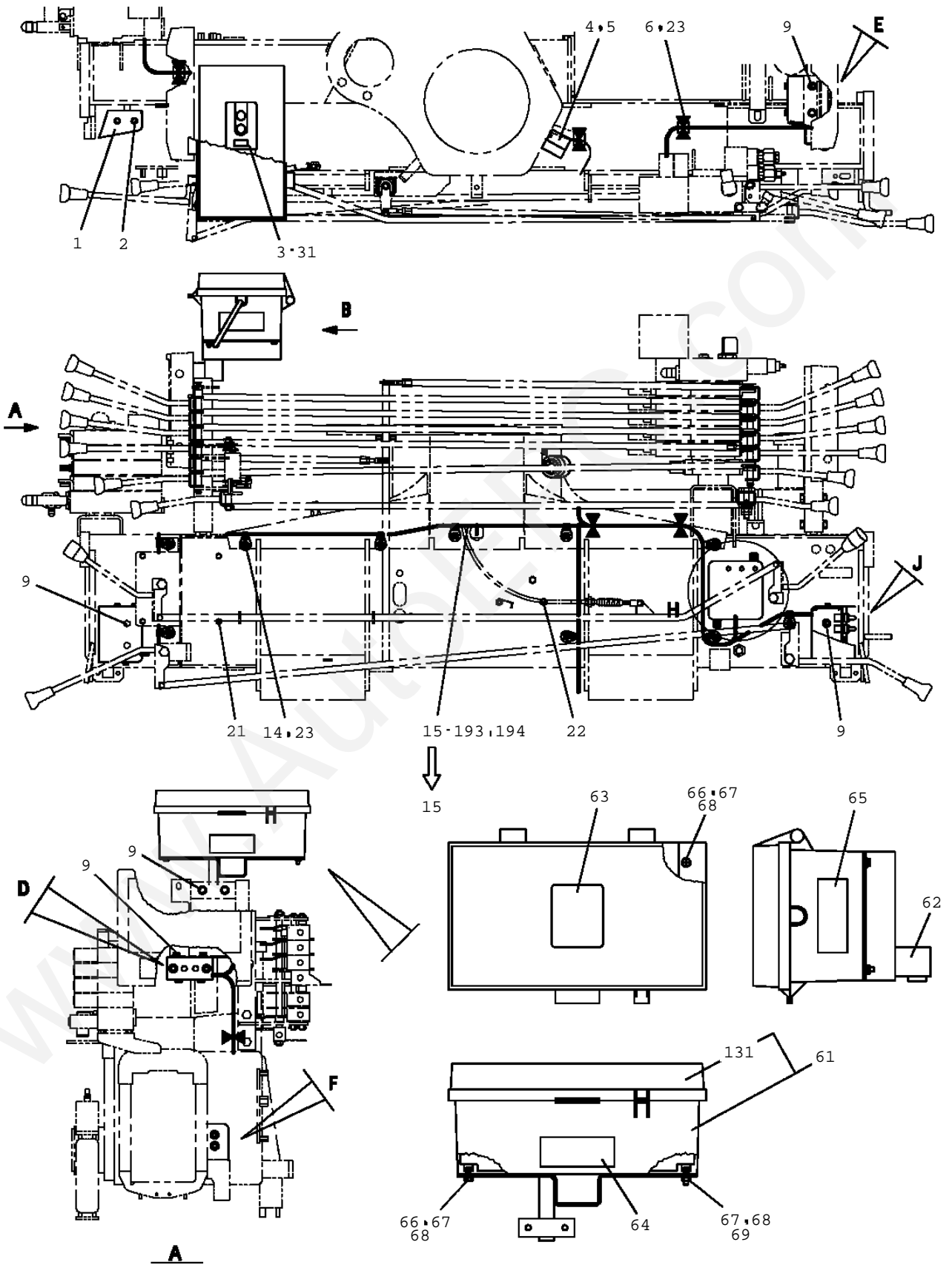
上部配線

**TM-ZR360 41102310070A FRAME/SL,MANUAL,HOOK-IN**

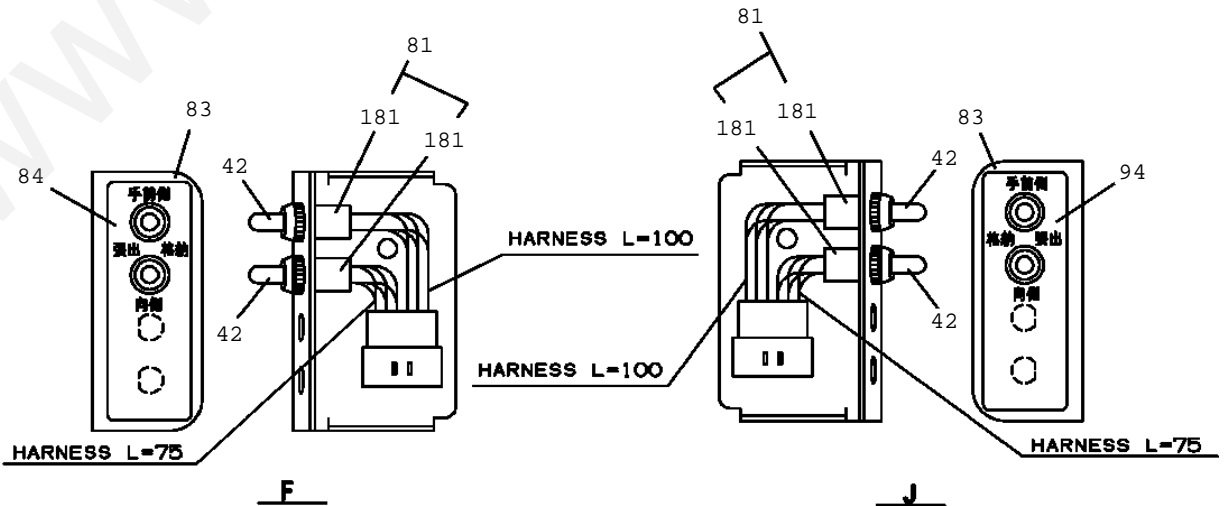
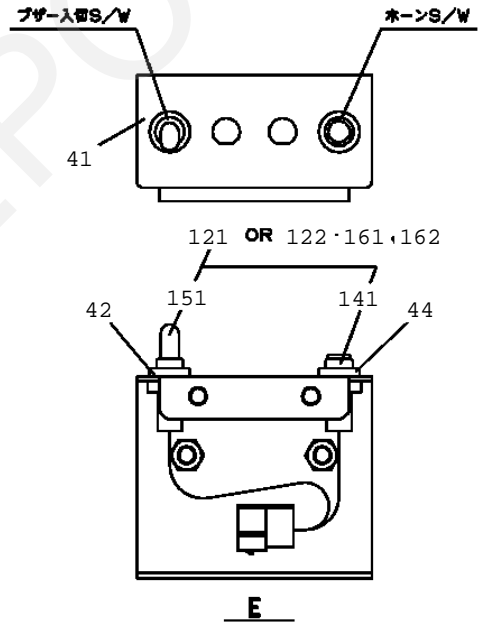
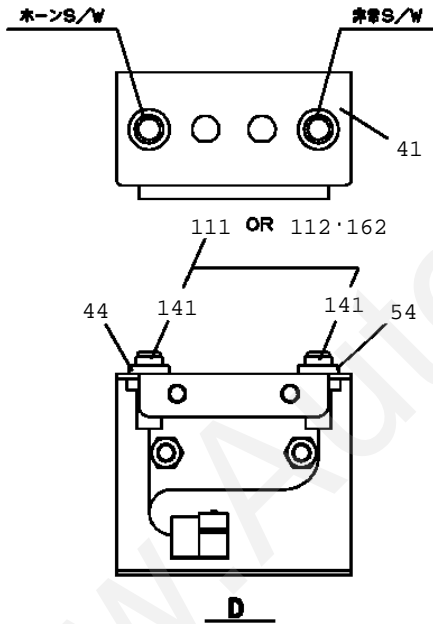
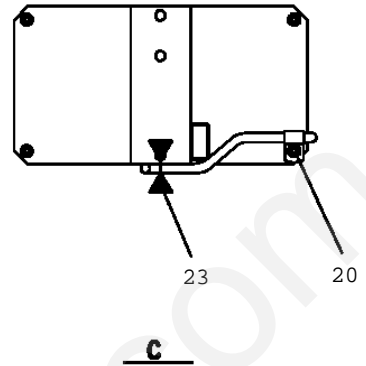
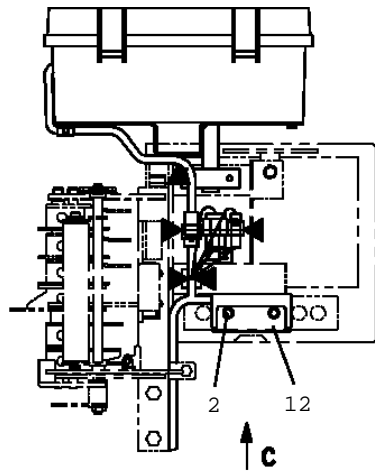
Pos No.	Parts No	Parts Name	Qty	Unit	Technical Data	Serial No
2	31477163300	HARNES	1			
3	91810130240	FASTENER	9			
5	31473744160	PLATE,NAME	2			
6	91810130250	FASTENER	1			
7	91850310405	CLAMP (BLACK)	1			
8	31473462500	HARNES	1			
21	31477163150	SUPPORT	1			
22	82197600101	CAP (BLACK)	2			
23	31653303200	SWITCH ASSY (NIHON AUTOMATIC)	2			
24	31651762400	COVER	2			
25	80192486010	SCREW,MACHINE	2		M6X10	
31	31477163250	SUPPORT	1			

www.AutoEPC.com

TM-ZR360 41102310070A FRAME/SL, MANUAL, HOOK-IN  
PN1012307-02 ELECTRICAL ACCESSORIES

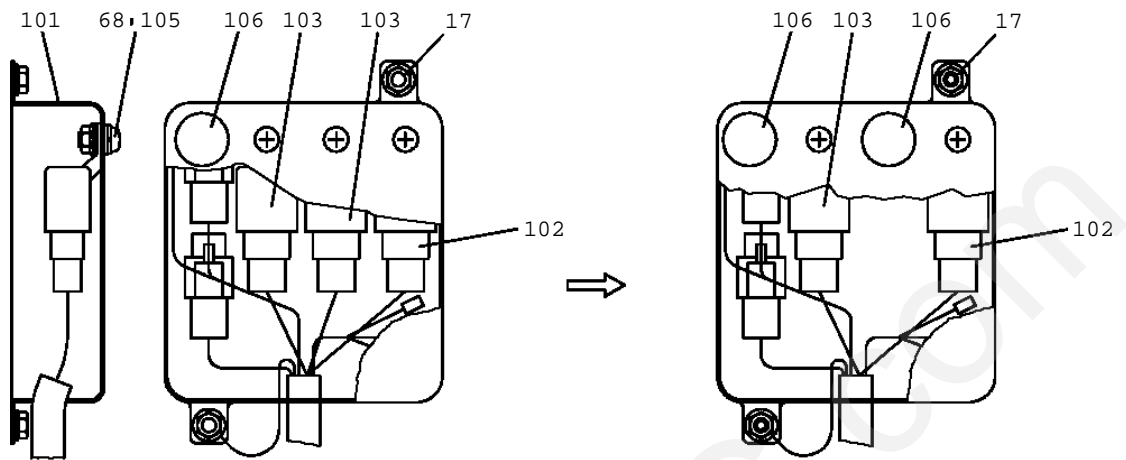


TM-ZR360 41102310070A FRAME/SL, MANUAL, HOOK-IN  
 PN1012307-02 ELECTRICAL ACCESSORIES

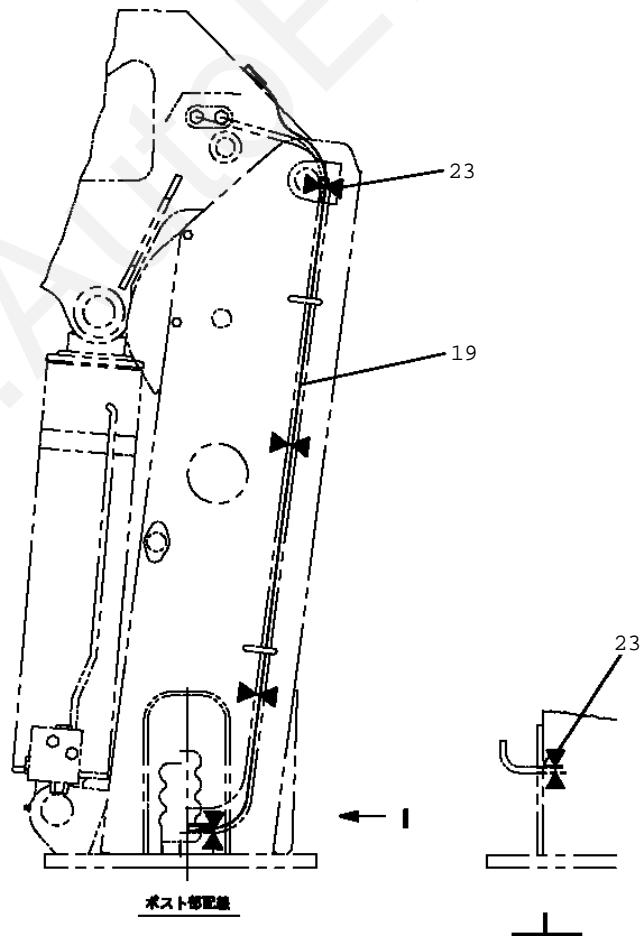




TM-ZR360 41102310070A FRAME/SL, MANUAL, HOOK-IN  
 PN1012307-02 ELECTRICAL ACCESSORIES



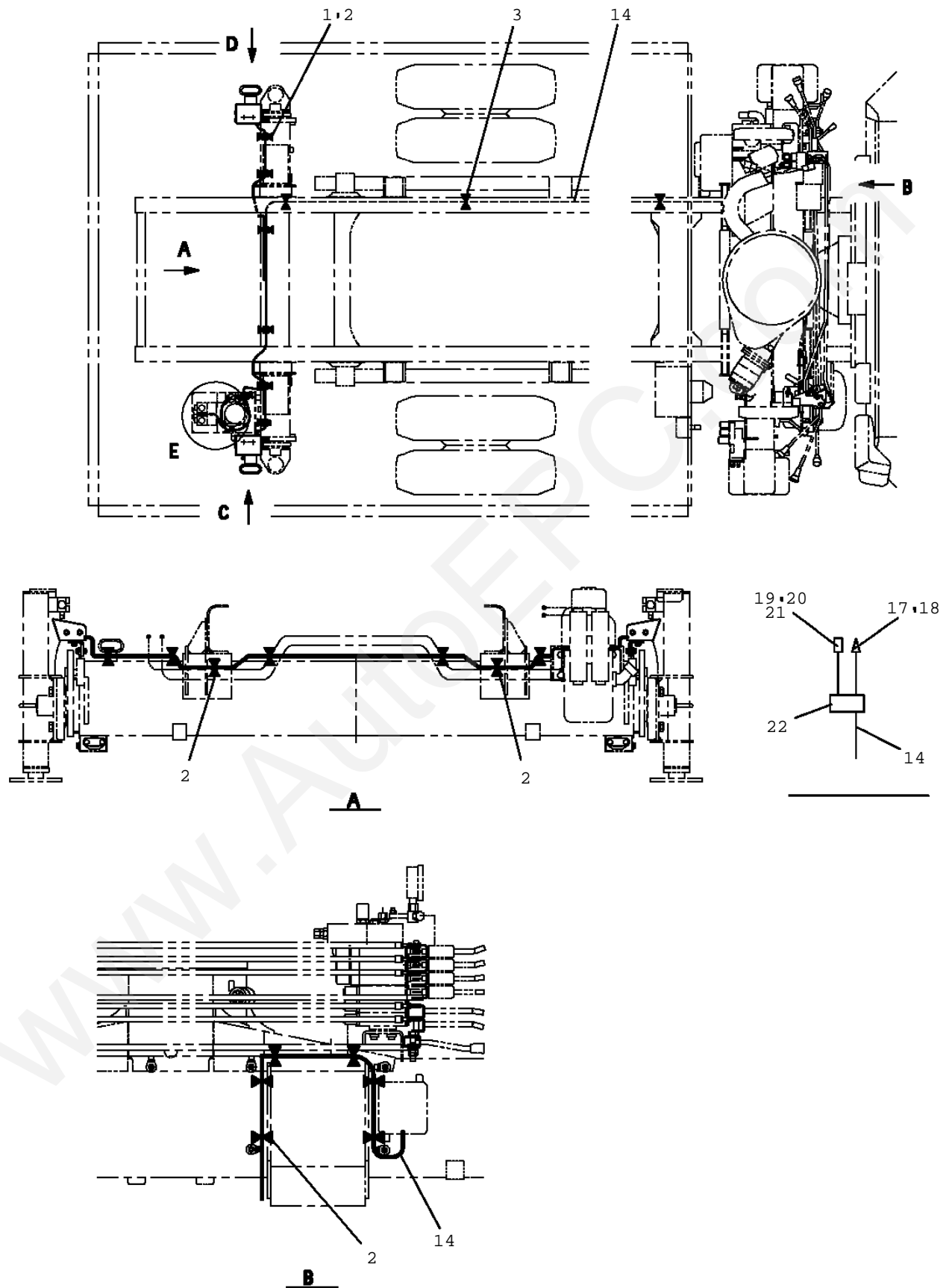
H



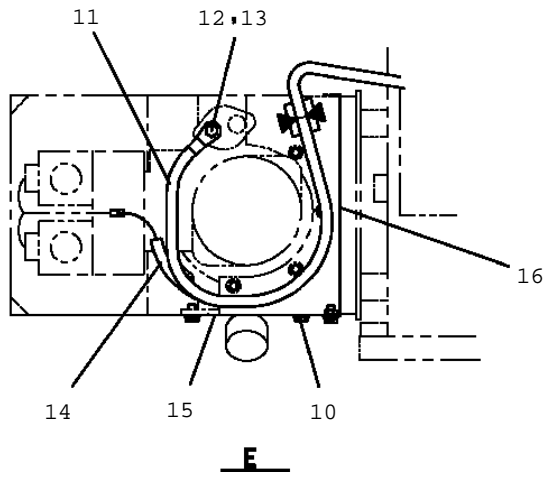
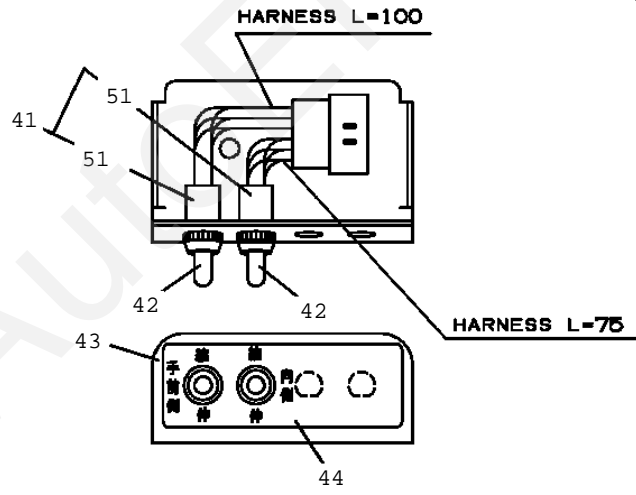
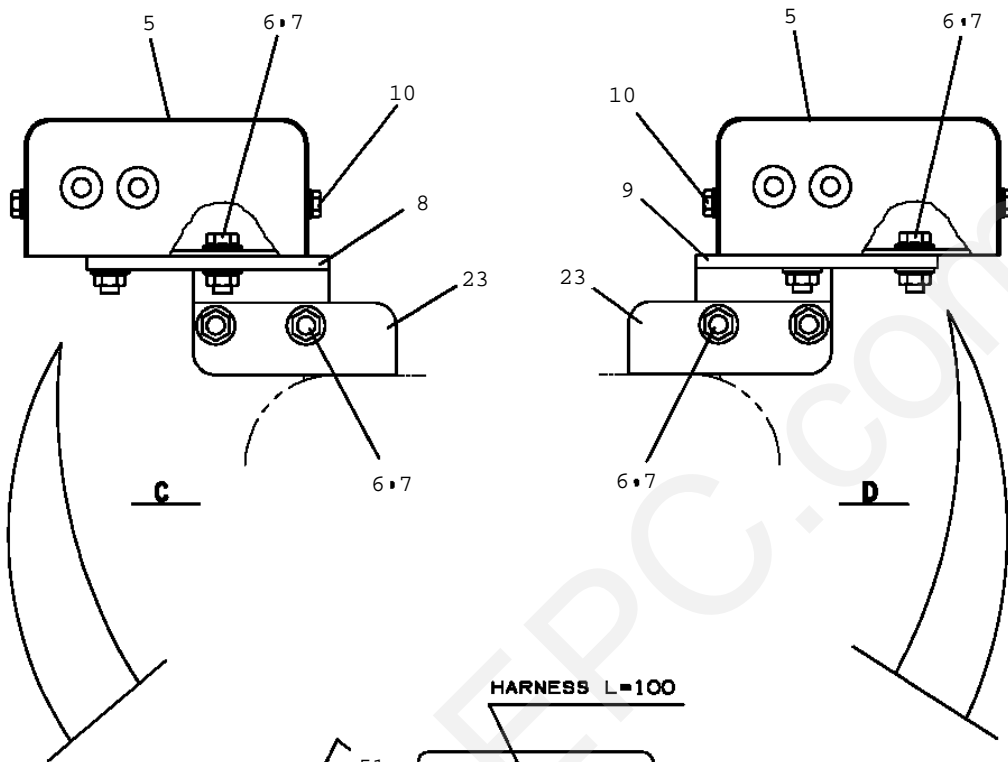
**TM-ZR360 41102310070A FRAME/SL,MANUAL,HOOK-IN**

Pos No.	Parts No	Parts Name	Qty	Unit	Technical Data	Serial
1	31653321200	COVER	2			
2	90186206010	BOLT,FLANGE	10		M6X10	
3	31653324000	SWITCH ASSY	1			
4	31653241100	BUZZER ASSY	1			
5	90280200800	NUT,FLANGE	1		M8	
6	91850310405	CLAMP (BLACK)	6			
9	90186208014	BOLT,FLANGE	10		M8X14	
12	31653241300	COVER	2			
14	91850100802	CLAMP (STUD BOLT MOUNT)	10			
15	31653321102	HARNESS	1			
17	90280200600	NUT,FLANGE	2		M6	
19	31652160100	HARNESS	1		L=1400	
20	82100002006	CLAMP	1		WR10	
21	82401800060	PLUG (FOR M6)	4			
22	82401800080	PLUG (FOR M8)	2			
23	91810130240	FASTENER	25			
31	82109861211	SWITCH	1			
41	31653243100	SUPPORT	2			
42	82197518114	CAP (MATSUSHITA/BLACK)	5			
	82197518119	CAP (PLUS ONE MFG./BLACK)	5			
44	82197600101	CAP (BLACK)	2			
54	82197600103	CAP (RED)	1			
61	36800174100	BOX	1			
62	31653312100	SUPPORT	1			
63	31642171600	PLATE,NAME	1			
64	36800174300	PLATE,CAUTION	1			
65	31652170320	PLATE,NAME	1			
66	80182306016	SCREW,MACHINE	3		M6X16	
67	90303100601	WASHER,PLAIN	4		6	
68	90280200600	NUT,FLANGE	6		M6	
69	80182306020	SCREW,MACHINE	1		M6X20	
81	31653322200	SWITCH ASSY (WITH HARNESS,2-SW)	2			
83	31657282100	SUPPORT	2			
84	31653322300	PLATE,NAME	1			
94	31653323100	PLATE,NAME	1			
101	31653242200	COVER (PLASTIC)	1			
	31653242100	COVER (IRON)	1			
102	82100002597	RELAY	1			
103	82100002596	RELAY	1			
105	80192486012	SCREW,MACHINE	2		M6X12	
106	82400000475	PLATE	2			
111	31653243300	SWITCH ASSY (PLATING:NACC)	1			
112	31653243400	SWITCH ASSY (GREEN:PANASONIC)	1			
121	31653244200	SWITCH ASSY (PLATING:NACC)	1			
122	31653244300	SWITCH ASSY (GREEN:PANASONIC)	1			
131	36800175090	COVER (UPPER)	1			

TM-ZR360 41102310070A FRAME/SL, MANUAL, HOOK-IN  
PN1012323-01 ELEC.ASSY (R/O, ROTARY, POWER SUPPLY)



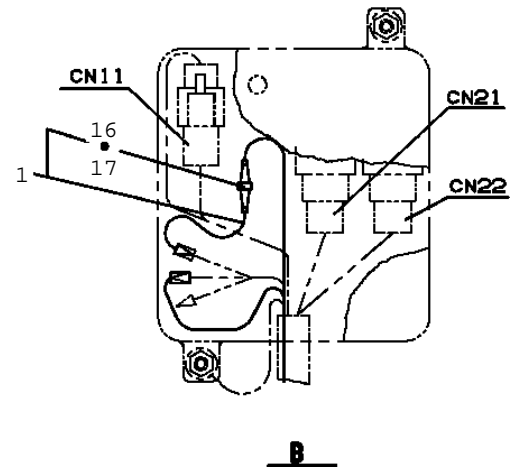
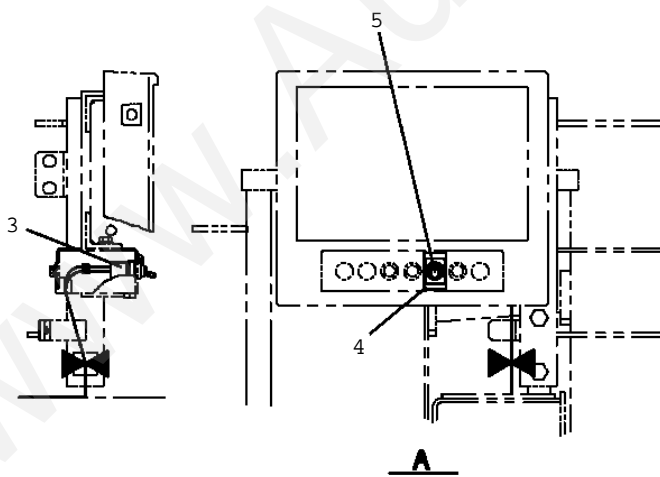
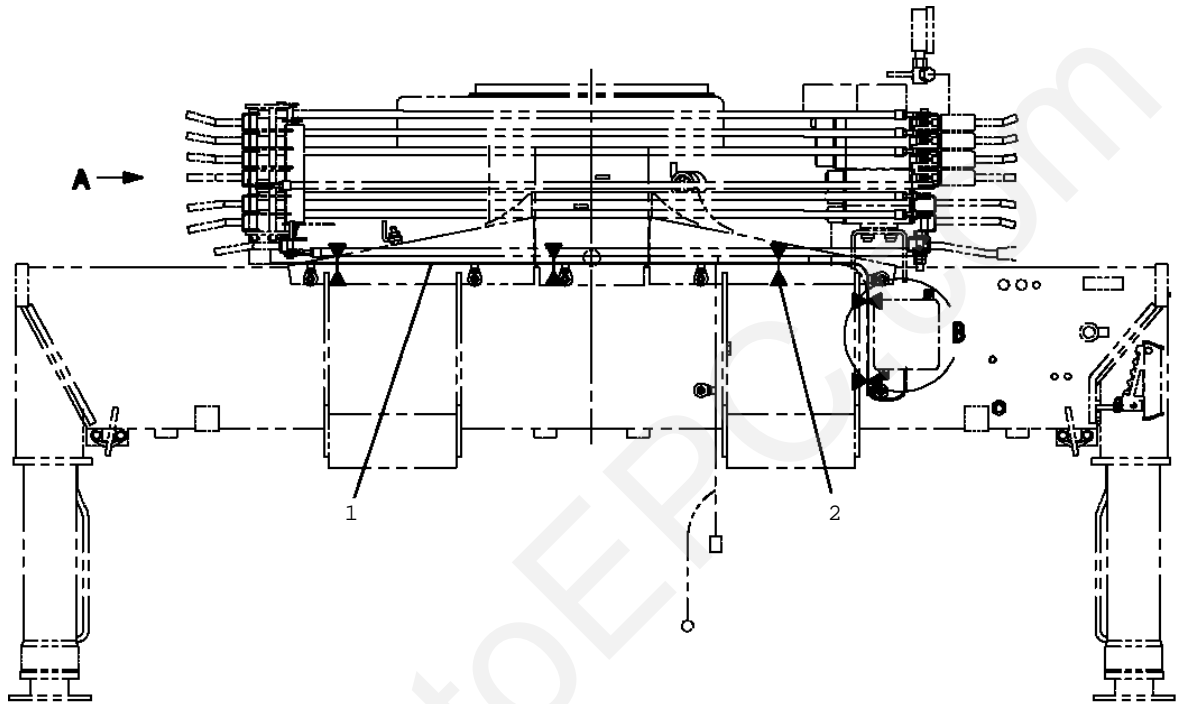
TM-ZR360 41102310070A FRAME/SL, MANUAL, HOOK-IN  
PN1012323-01 ELEC.ASSY (R/O, ROTARY, POWER SUPPLY)



**TM-ZR360 41102310070A FRAME/SL,MANUAL,HOOK-IN**

Pos No.	Parts No	Parts Name	Qty	Unit	Technical Data	Serial
1	91850310405	CLAMP (BLACK)	7			
2	91810130240	FASTENER	15			
3	91810130250	FASTENER	5			
5	31653321200	COVER	2			
6	90186208020	BOLT,FLANGE	8		M8X20	
7	90280200800	NUT,FLANGE	8		M8	
8	31653470100	SUPPORT	1			
9	31653470200	SUPPORT	1			
10	90186206010	BOLT,FLANGE	12		M6X10	
11	31611614300	HARNESS	1		L=10000	
12	82100002503	TERMINAL	1			
13	82100001226	INSULATOR	1			
14	31653470300	HARNESS	1			
15	31611614500	COVER	1			
16	31611614400	COVER	1			
17	82100000192	TERMINAL	1			
18	82100000182	INSULATOR	1			
19	82100000191	TERMINAL	1			
20	82100000183	INSULATOR	1			
21	82100002855	CAP	1			
22	82100002674	CONNECTOR (1.25-2)	1			
23	37000573560	PLATE	2			
41	31653322200	SWITCH ASSY (WITH HARNESS,2-SW)	2			
42	82197518114	CAP (MATSUSHITA/BLACK)	4			
	82197518119	CAP (PLUS ONE MFG./BLACK)	4			
43	31657282100	SUPPORT	2			
44	31653471100	PLATE,NAME	2			

TM-ZR360 41102310070A FRAME/SL, MANUAL, HOOK-IN  
PN1012343-02 ELEC.ASSY (LAMP, LOWER/FRAME)

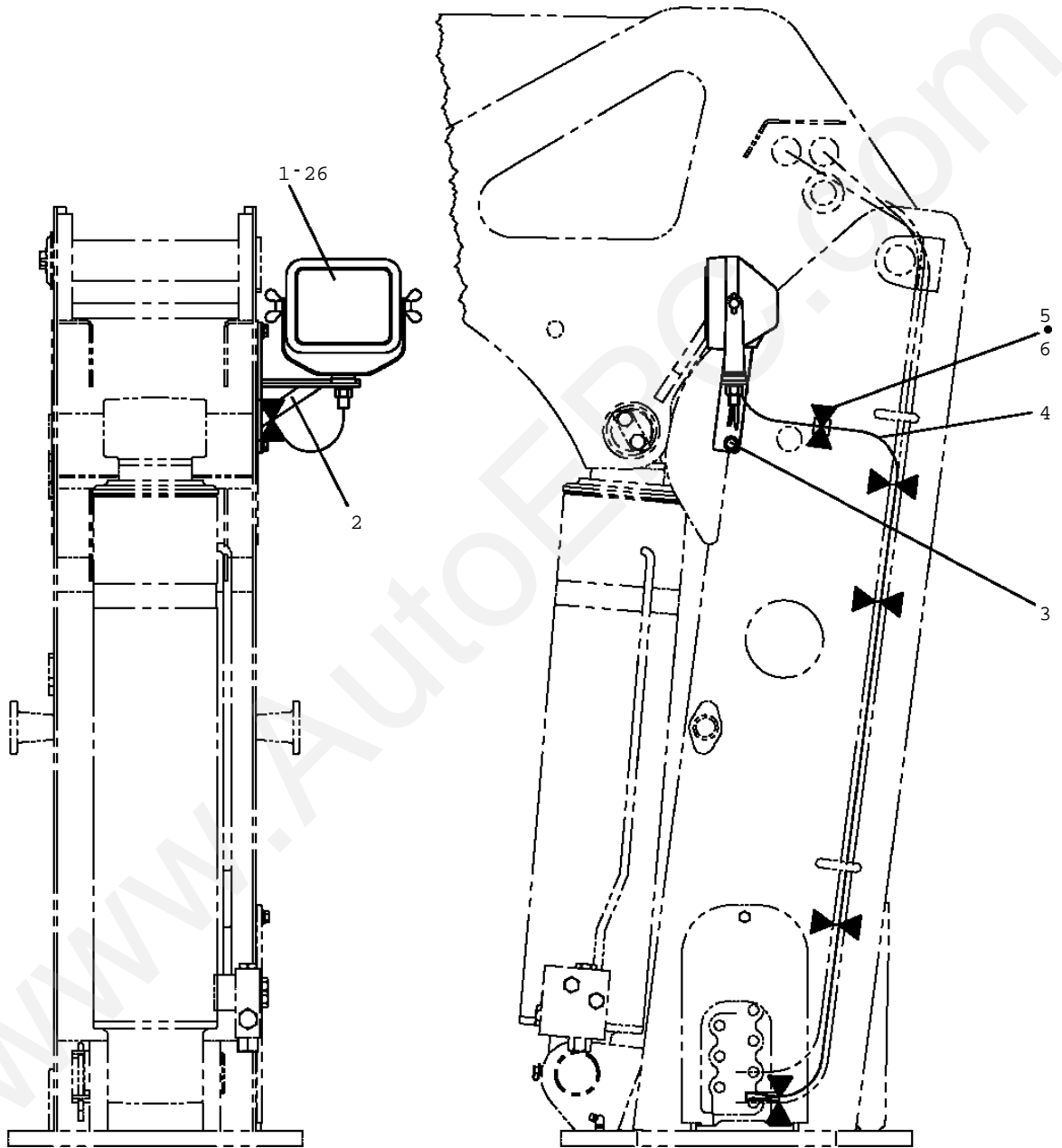


**TM-ZR360 41102310070A FRAME/SL,MANUAL,HOOK-IN**

Pos No.	Parts No	Parts Name	Qty	Unit	Technical Data	Serial No (S
1	31477311300	HARNES	1			
2	91810130240	FASTENER	6			
3	31477311200	SWITCH ASSY (PLATING:NACC)	1			
4	31477311100	PLATE,NAME	1			
5	82197518114	CAP (MATSUSHITA/BLACK)	1			
	82197518119	CAP (PLUS ONE MFG./BLACK)	1			
16	82100002832	HOLDER,FUSE	1			
17	82100000791	FUSE	1		5A,6.5X30	

www.AutoEPC.com

TM-ZR360 41102310070A FRAME/SL, MANUAL, HOOK-IN  
PN1012344-02 ELEC.ASSY (24V60W LAMP/MOUNT, POST)



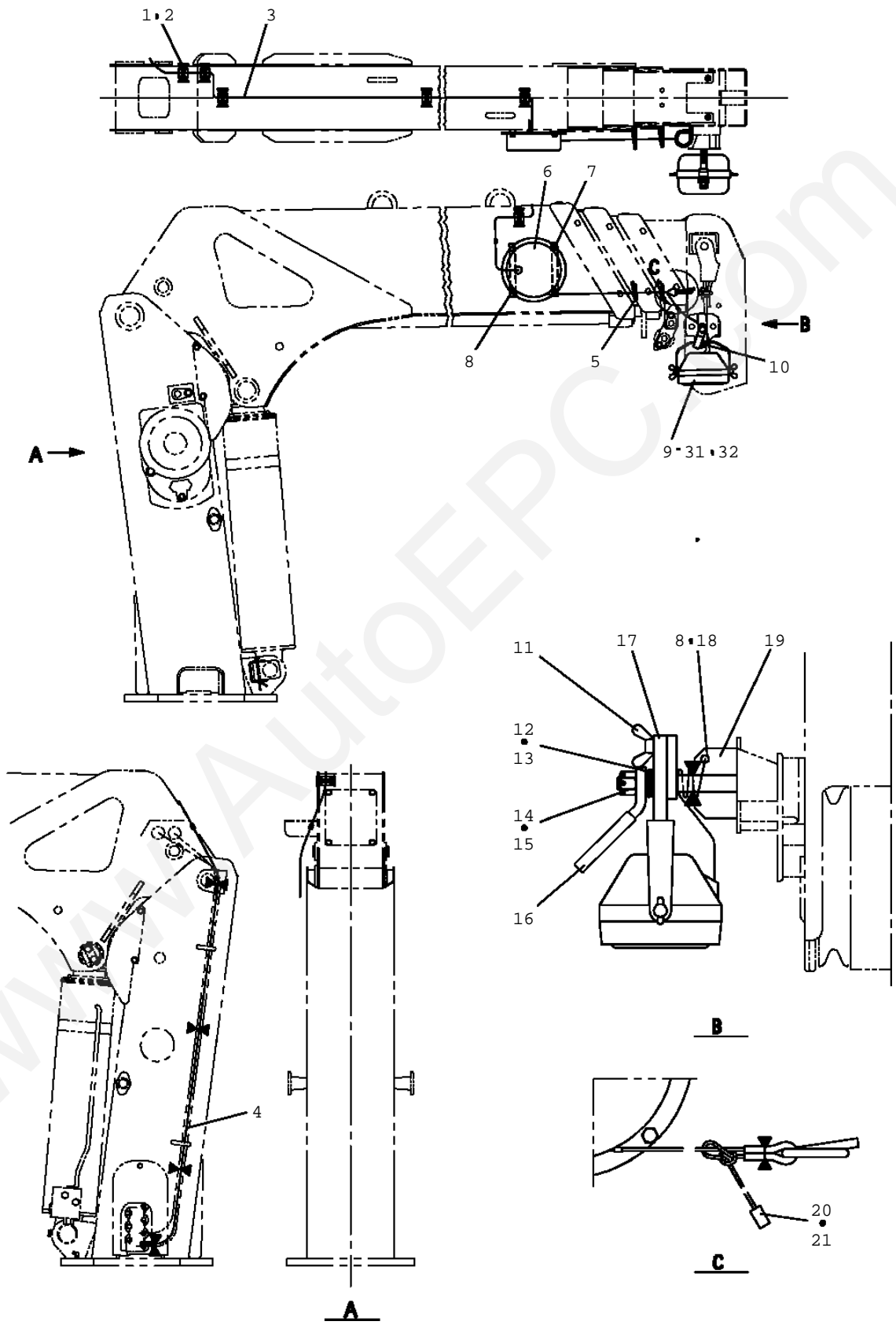


**TM-ZR360 41102310070A FRAME/SL,MANUAL,HOOK-IN**

Pos No.	Parts No	Parts Name	Qty	Unit	Technical Data	Serial No (Start)	Serial
1	82199100026	LAMP	1		24V 60W		
2	31473462100	SUPPORT	1				
3	90186208014	BOLT,FLANGE	2		M8X14		
4	31473744700	HARNES (RED)	1		L=1000		
5	91850310305	CLAMP	1				
6	91810130240	FASTENER	5				
26	82100000054	BULB,LAMP	1		24V 60W		

www.AutoEPC.com

TM-ZR360 41102310070A FRAME/SL, MANUAL, HOOK-IN  
PN1012345-01 ELEC.ASSY (24V45W LAMP/MOUNT, BOOM)

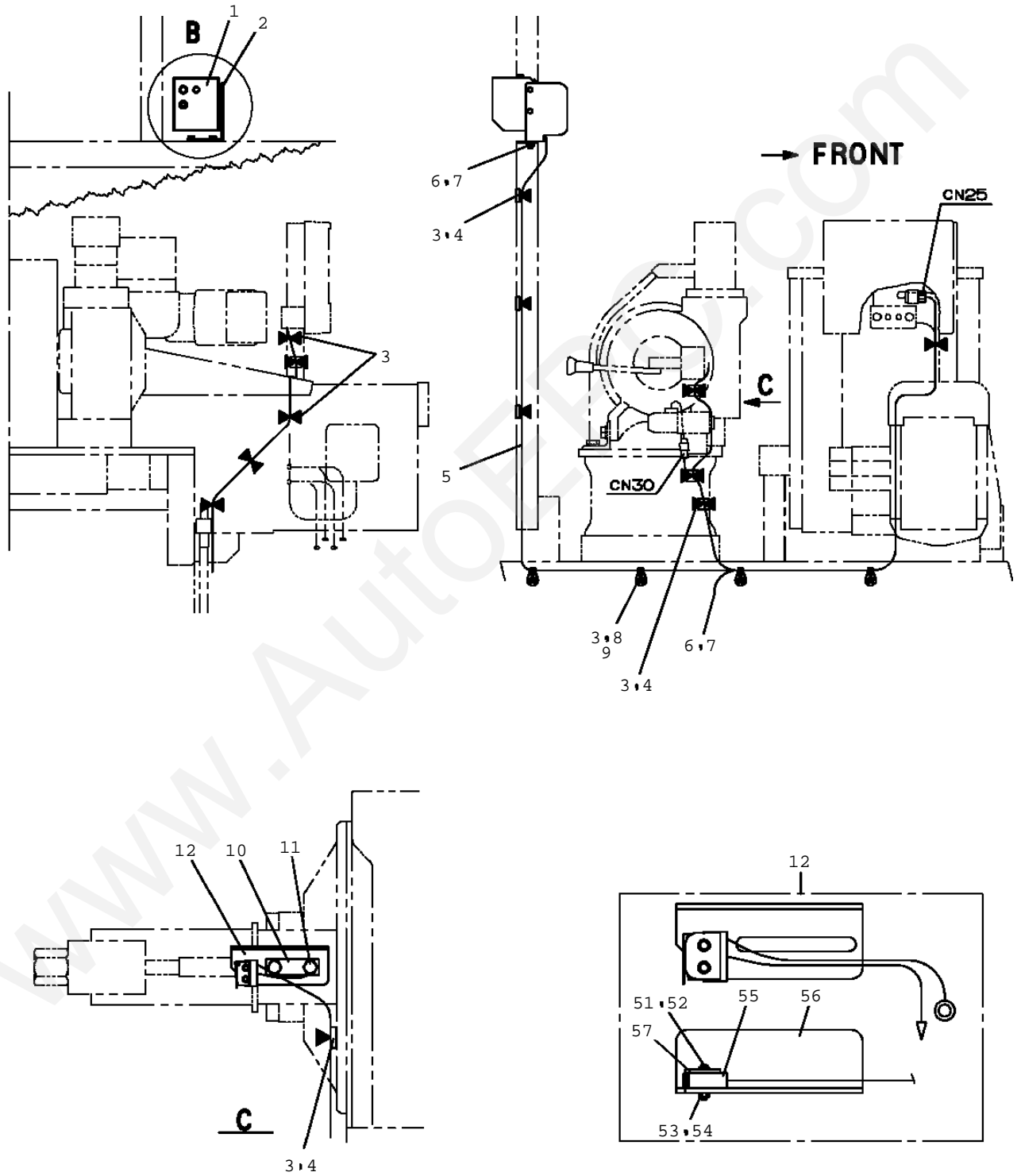


**TM-ZR360 41102310070A FRAME/SL,MANUAL,HOOK-IN**

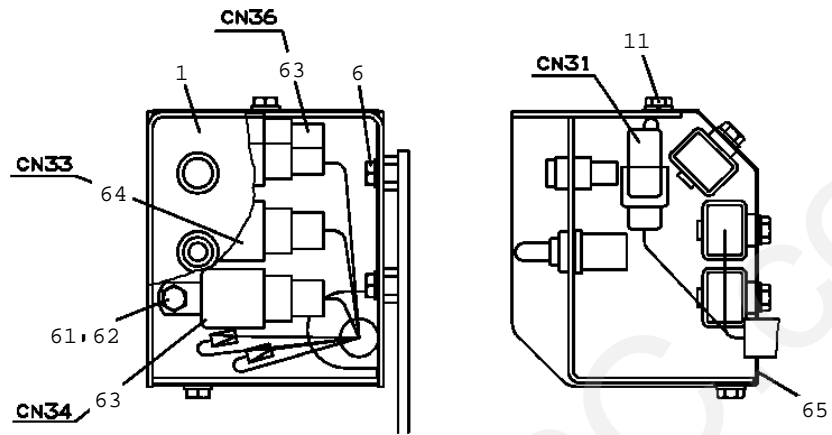
Pos No.	Parts No	Parts Name	Qty	Unit	Technical Data	Serial No (Start)	Serial No (End)
1	91850310305	CLAMP	8				
2	91810130240	FASTENER	14				
3	31501812100	HARNESS	1		L=3000		
4	31473460300	HARNESS (RED)	1		L=1600		
5	32200156090	SUPPORT	5				
6	36161700000	REEL ASSY,CORD	1				
7	31650690200	PLATE	2		T=9		
8	90186206010	BOLT,FLANGE	5		M6X10		
9	82165904030	LAMP	1		24V 45W		
10	90280201000	NUT,FLANGE	1		M10		
11	90813108020	BOLT,WING	1		M8X20		
12	90309331201	WASHER	2		L12		
13	90303071201	WASHER,PLAIN	1		12		
14	90236201200	NUT,CASTLE	1		2H M12		
15	80136325025	PIN,SPLIT	1		2.5X25		
16	31650690500	LEVER	1				
17	31650690400	SUPPORT	1				
18	90280200600	NUT,FLANGE	1		M6		
19	31477322100	SUPPORT	1				
20	82100000191	TERMINAL	1				
21	82100000183	INSULATOR	1				
31	82100002850	LENS	1				
32	82166025550	BULB,LAMP	1		24V 45W		

www.AutoEPC.com

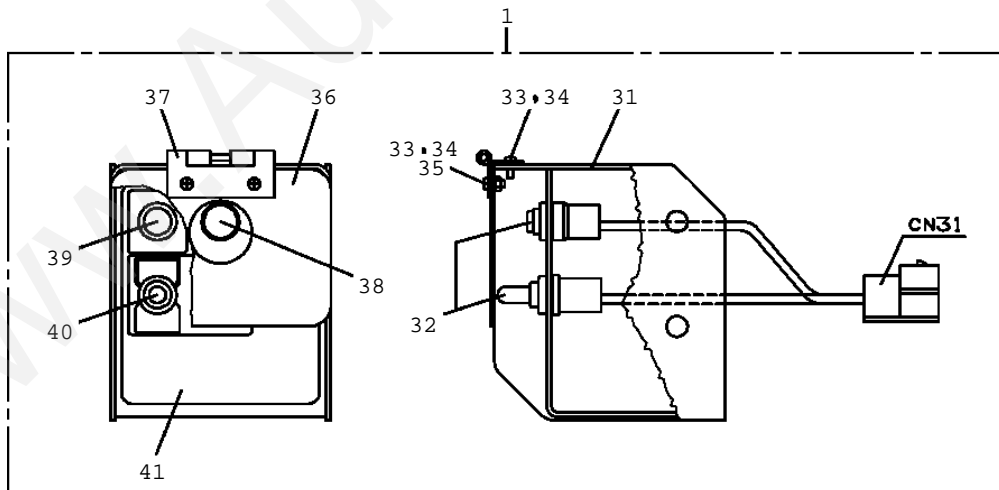
TM-ZR360 41102310070A FRAME/SL, MANUAL, HOOK-IN  
 PN1012530-03 ELEC.ASSY (SL,F-RADIO CONTROL/SWITCH)



TM-ZR360 41102310070A FRAME/SL, MANUAL, HOOK-IN  
PN1012530-03 ELEC.ASSY (SL, F-RADIO CONTROL/SWITCH)



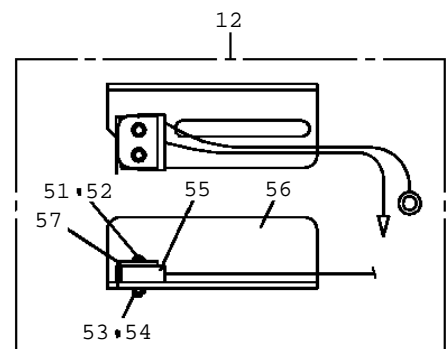
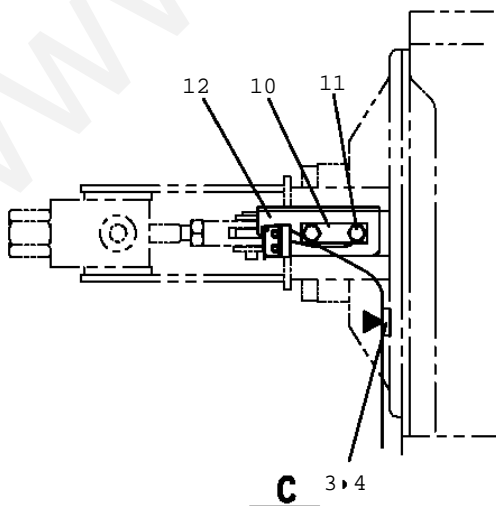
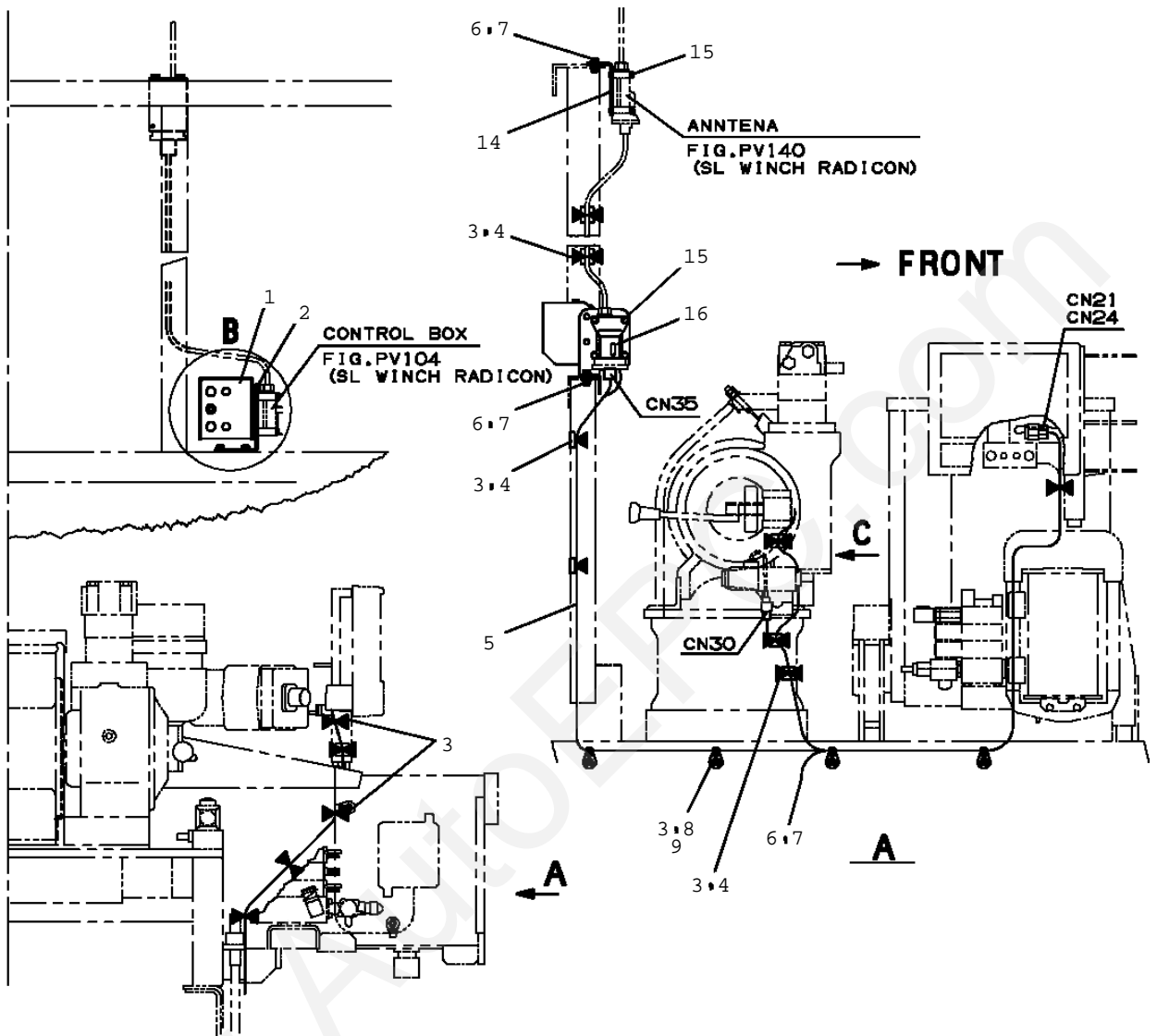
**B**



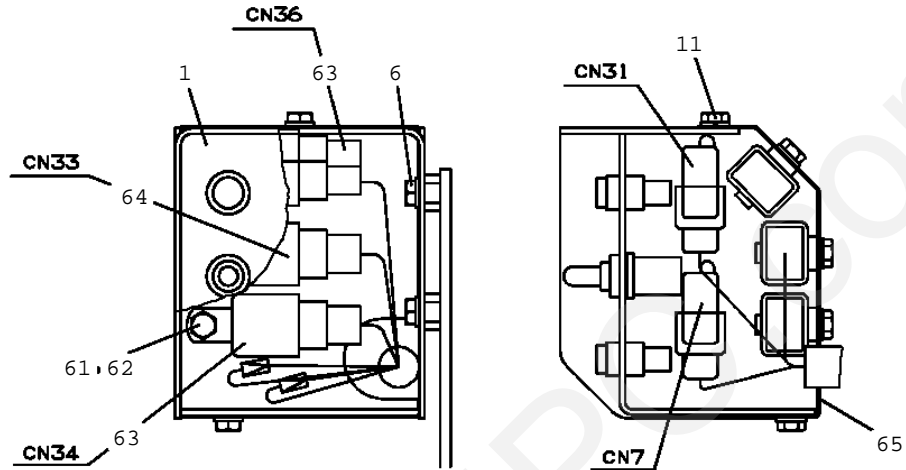
**TM-ZR360 41102310070A FRAME/SL,MANUAL,HOOK-IN**

Pos No.	Parts No	Parts Name	Qty	Unit	Technical Data	Serial No
1	31653741000	SWITCH ASSY	1			
2	31653740300	SUPPORT	1			
3	91810130240	FASTENER	20			
4	91850310405	CLAMP (BLACK)	10			
5	31653740100	HARNESS	1			
6	90186208025	BOLT, FLANGE	5		M8X25	
7	90280200800	NUT, FLANGE	3		M8	
8	91850100802	CLAMP (STUD BOLT MOUNT)	4			
9	90101206025	BOLT	4		M6X25	
10	37000576020	PLATE	1			
11	90186206016	BOLT, FLANGE	5		M6X16	
12	31653740500	SWITCH ASSY	1			
31	31653741100	PANEL	1			
32	31653741600	SWITCH ASSY (GREEN: PANASONIC)	1			
	31653741200	SWITCH ASSY (PLATING: NACC)	1			
33	80171303008	SCREW, MACHINE	4		M3X8	
34	90302040301	WASHER, SPRING	4		3	
35	90201200300	NUT	2		M3	
36	31653741300	COVER	1			
37	82464104601	HINGE	1			
38	42650551130	LAMP ASSY (GREEN)	1			
39	82197600103	CAP (RED)	1			
40	82197518114	CAP (MATSUSHITA/BLACK)	1			
	82197518119	CAP (PLUS ONE MFG./BLACK)	1			
41	31653741400	PLATE, NAME	1			
51	80161302014	SCREW, MACHINE	2		M2X14	
52	90303070201	WASHER, PLAIN	2		2	
53	90302040201	WASHER, SPRING (2)	2			
54	90201200200	NUT	2		M2	
55	31652231120	SWITCH	1			
56	31653740510	SUPPORT	1			
57	31653740520	SUPPORT	1			
61	90186206014	BOLT, FLANGE	3		M6X14	
62	90201200600	NUT	3		M6	
63	82100002596	RELAY	1			
64	82100002597	RELAY	2			
65	31653742100	COVER	1			

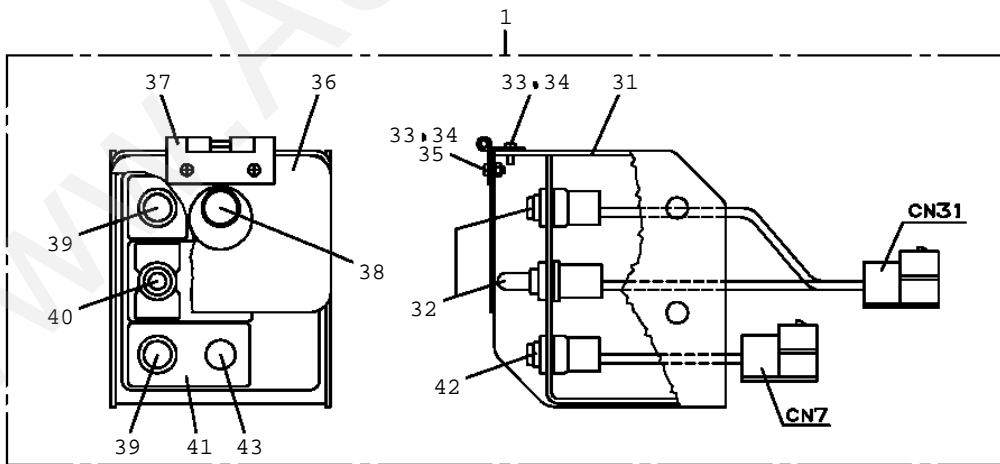
TM-ZR360 41102310070A FRAME/SL, MANUAL, HOOK-IN  
 PN1012531-03 ELEC.ASSY (SELF,S-RADIO CONTROL)



TM-ZR360 41102310070A FRAME/SL, MANUAL, HOOK-IN  
 PN1012531-03 ELEC.ASSY (SELF,S-RADIO CONTROL)



**B**

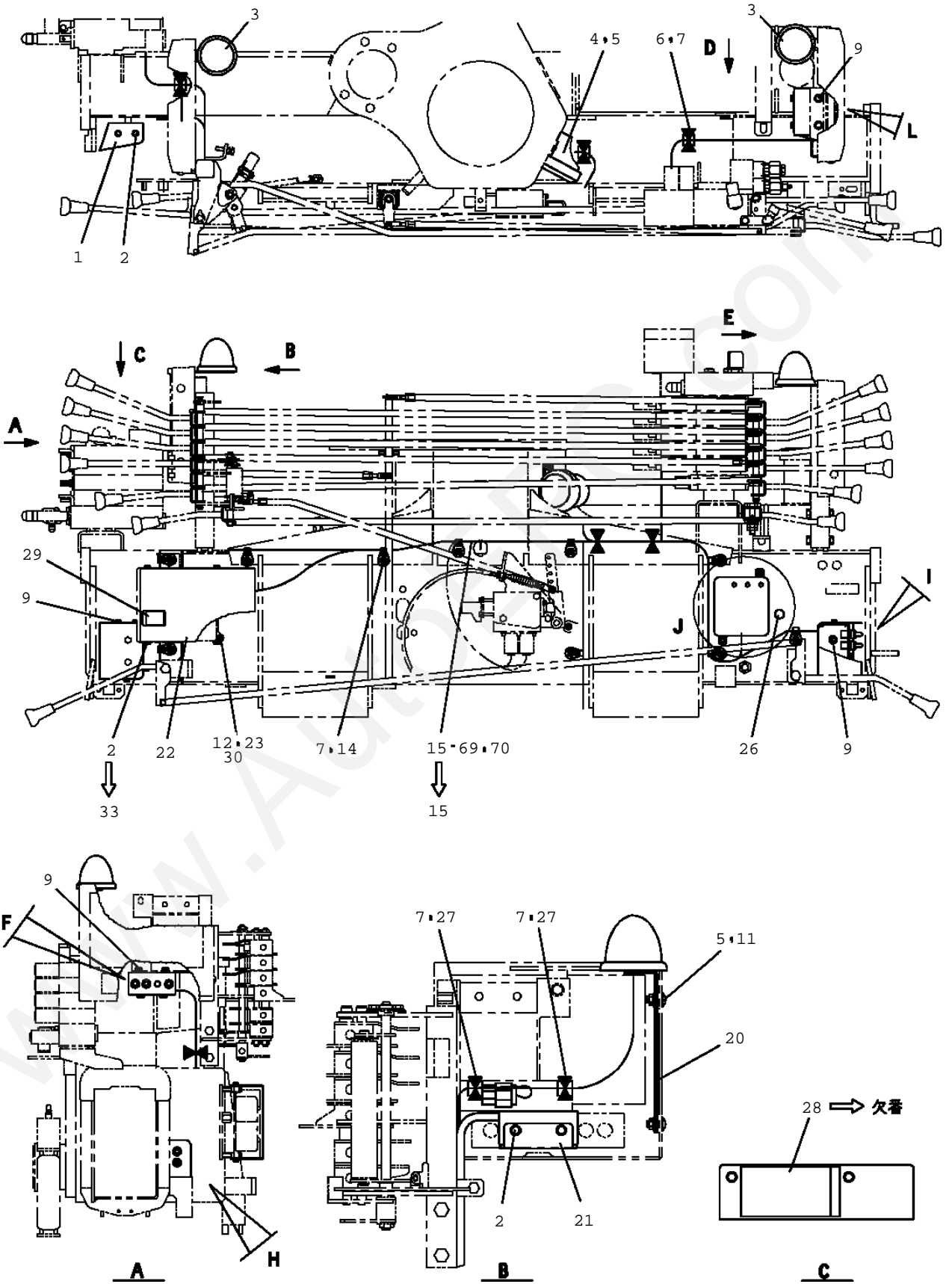


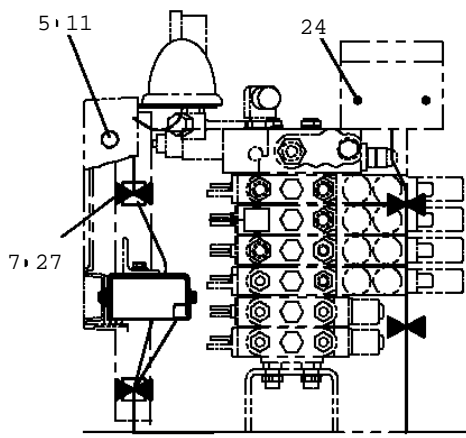


**TM-ZR360 41102310070A FRAME/SL,MANUAL,HOOK-IN**

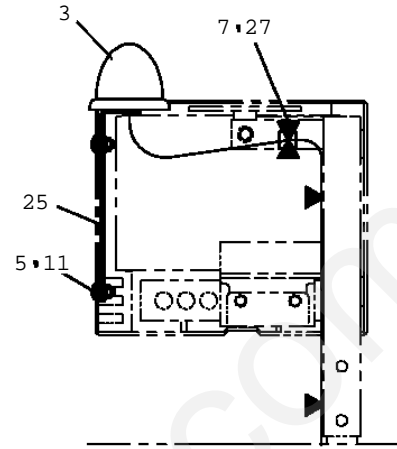
Pos No.	Parts No	Parts Name	Qty	Unit	Technical Data	Serial No
1	31653861000	SWITCH ASSY	1			
2	31653740300	SUPPORT	1			
3	91810130240	FASTENER	25			
4	91850310405	CLAMP (BLACK)	15			
5	31653860100	HARNESS	1			
6	90186208025	BOLT,FLANGE	7		M8X25	
7	90280200800	NUT,FLANGE	5		M8	
8	91850100802	CLAMP (STUD BOLT MOUNT)	4			
9	90101206025	BOLT	4		M6X25	
10	37000576020	PLATE	1			
11	90186206016	BOLT,FLANGE	5		M6X16	
12	31653740500	SWITCH ASSY	1			
13	31653862000	COVER ASSY	1			
14	31652840100	SUPPORT	1			
15	90186206045	BOLT,FLANGE	8		M6X45	
16	31652391300	COVER	1			
31	31653741100	PANEL	1			
32	31653741200	SWITCH ASSY (PLATING:NACC)	1			
33	80171303008	SCREW,MACHINE	4		M3X8	
34	90302040301	WASHER,SPRING	4		3	
35	90201200300	NUT	2		M3	
36	31653741300	COVER	1			
37	82464104601	HINGE	1			
38	42650551130	LAMP ASSY (GREEN)	1			
39	82197600103	CAP (RED)	2			
40	82197518114	CAP (MATSUSHITA/BLACK)	1			
	82197518119	CAP (PLUS ONE MFG./BLACK)	1			
41	31653861100	PLATE,NAME	1			
42	31652112300	SWITCH ASSY (NIHON AUTOMATIC)	1			
43	42433333300	LAMP ASSY (RED)<24V)	1			
51	80161302014	SCREW,MACHINE	2		M2X14	
52	90303070201	WASHER,PLAIN	2		2	
53	90302040201	WASHER,SPRING (2)	2			
54	90201200200	NUT	2		M2	
55	31652231120	SWITCH	1			
56	31653740510	SUPPORT	1			
57	31653740520	SUPPORT	1			
61	90186206014	BOLT,FLANGE	3		M6X14	
62	90201200600	NUT	3		M6	
63	82100002596	RELAY	2			
64	82100002597	RELAY	1			
65	31653742100	COVER	1			

TM-ZR360 41102310070A FRAME/SL, MANUAL, HOOK-IN  
 PN1012921-03 ELEC.ASSY

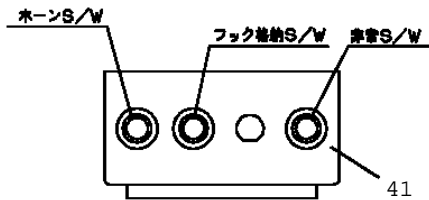




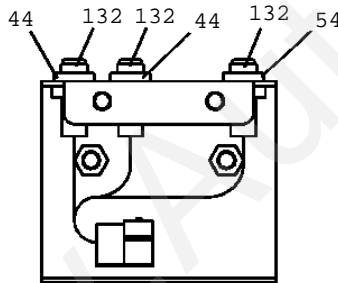
**D**



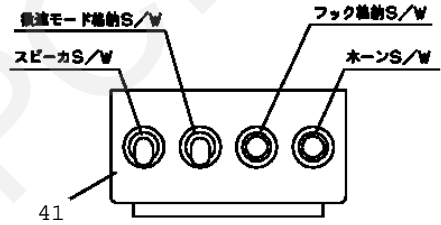
**E**



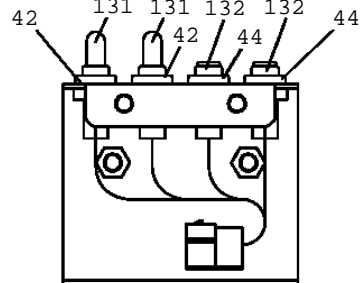
101 OR 102・142



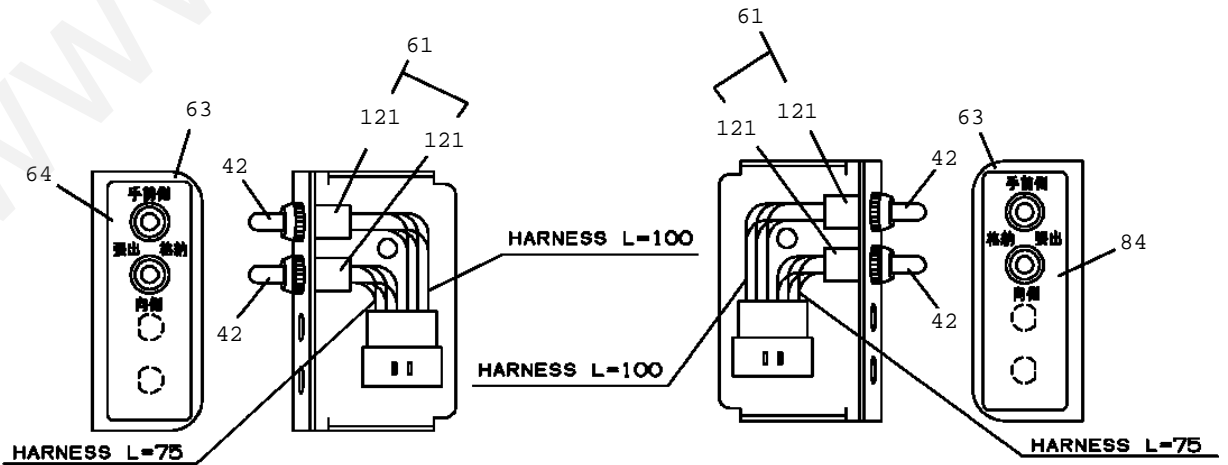
**F**



111 OR 112・141, 142



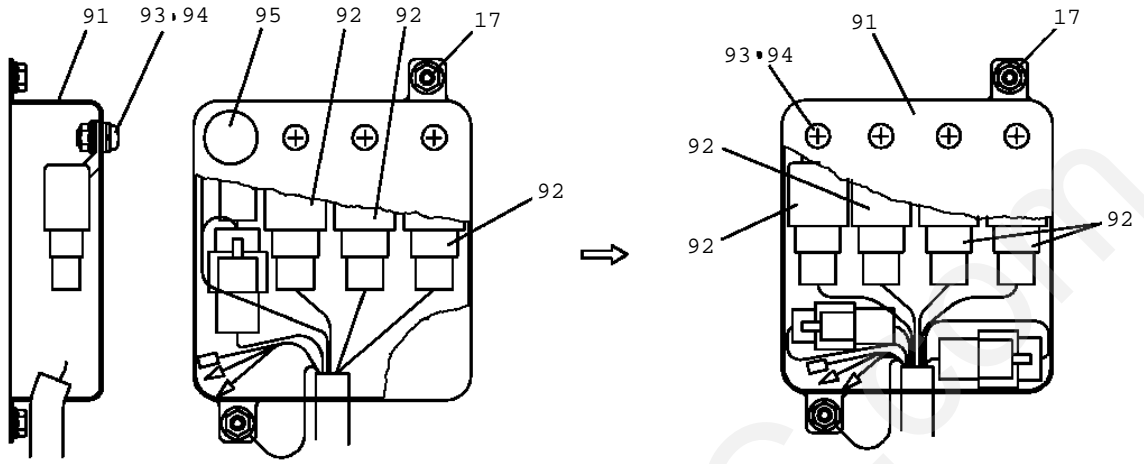
**L**



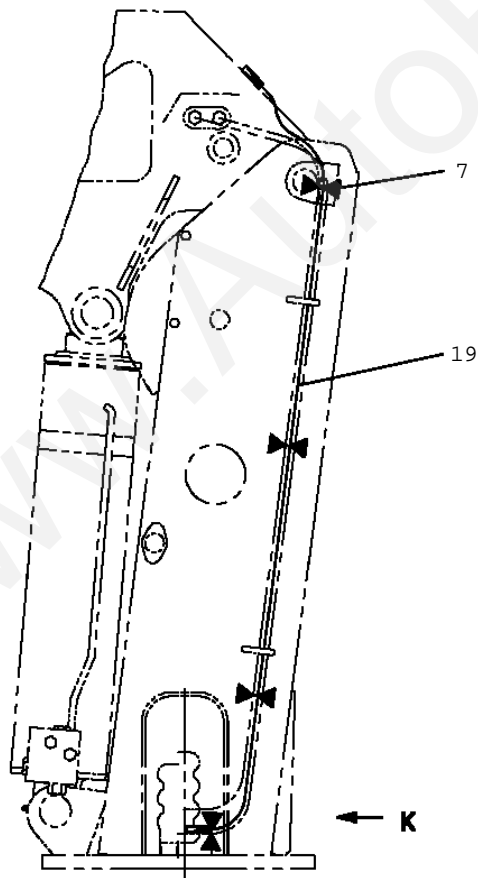
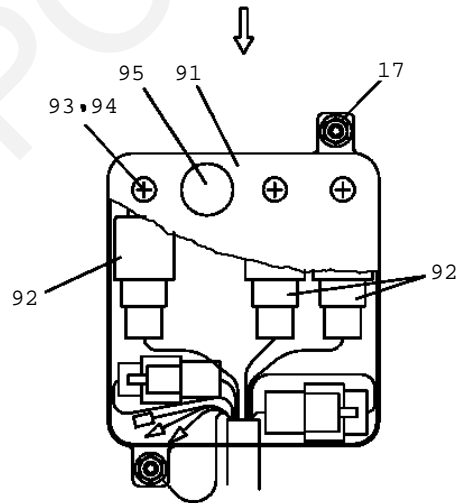
**H**

**I**

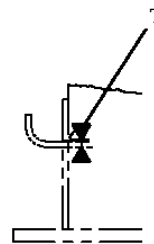
TM-ZR360 41102310070A FRAME/SL, MANUAL, HOOK-IN  
 PN1012921-03 ELEC.ASSY



J



ポスト部配線

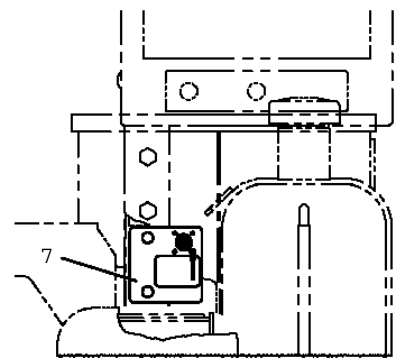
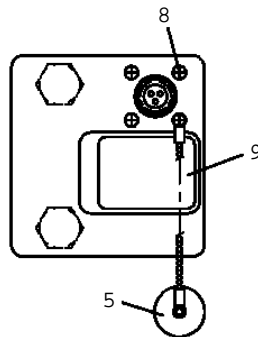
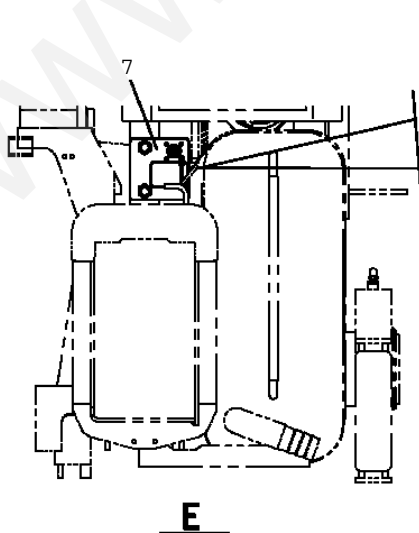
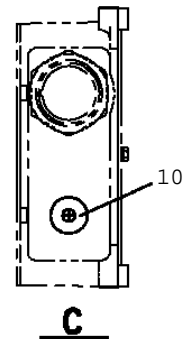
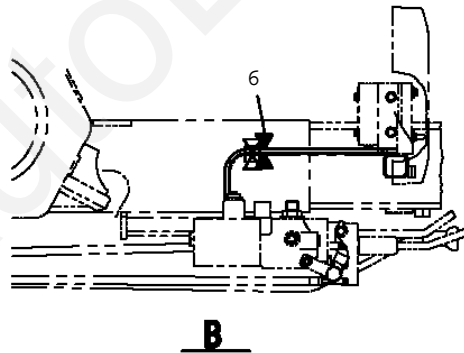
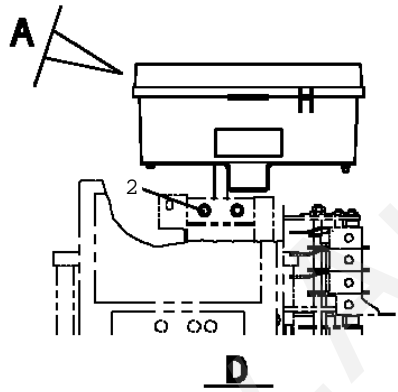
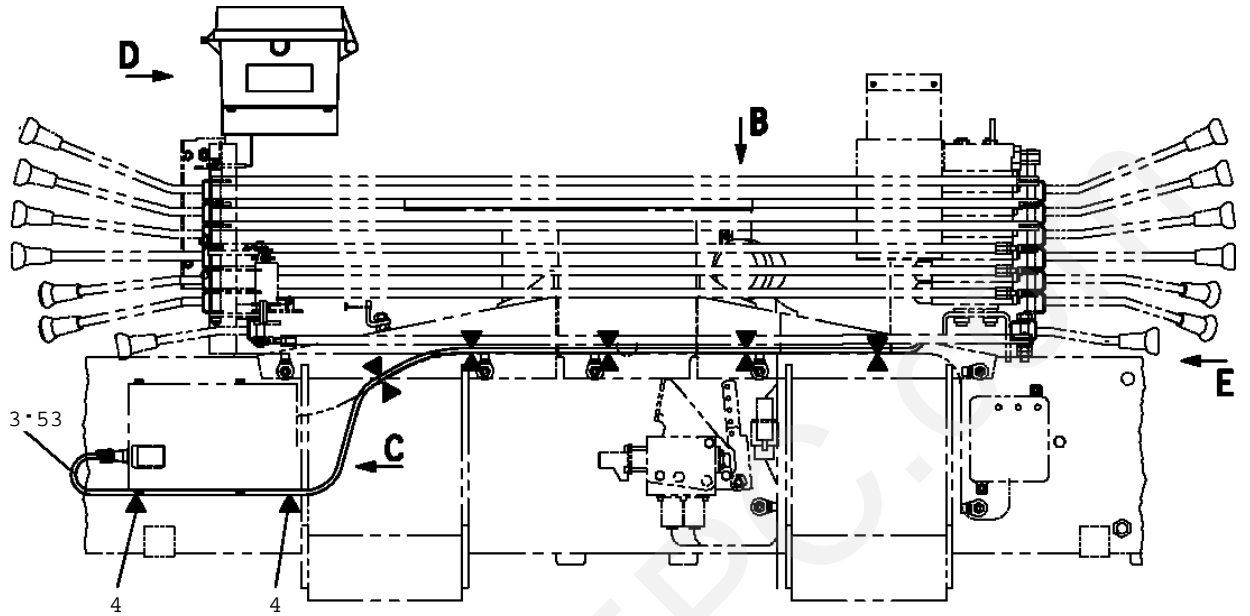


K

**TM-ZR360 41102310070A FRAME/SL, MANUAL, HOOK-IN**

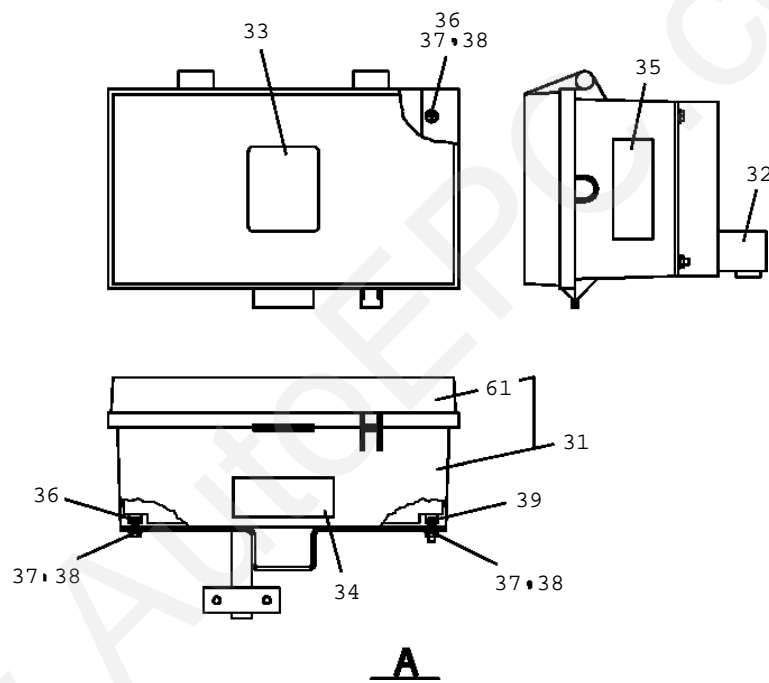
Pos No.	Parts No	Parts Name	Qty	Unit	Technical Data	Serial
1	31653321200	COVER	2			
2	90186206010	BOLT, FLANGE	10		M6X10	
3	82199444326	LAMP (YELLOW) <24V 12W)	2			
4	31653221100	SPEAKER	1			
5	90280200800	NUT, FLANGE	5		M8	
6	91850310405	CLAMP (BLACK)	5			
7	91810130240	FASTENER	28			
9	90186208014	BOLT, FLANGE	8		M8X14	
11	80183308020	SCREW, MACHINE	4		M8X20	
12	90101206035	BOLT	4		M6X35	
14	91850100802	CLAMP (STUD BOLT MOUNT)	10			
15	31653271104	HARNES	1			
17	90280200600	NUT, FLANGE	2		M6	
19	31652160100	HARNES	1		L=1400	
20	31653271200	SUPPORT	1			
21	31653241300	COVER	2			
22	31653221300	COVER	1			
	31653221500	COVER (IP)	1			
23	90303070601	WASHER, PLAIN	2		6	
24	80192483006	SCREW, MACHINE	4		M3X6	
25	31653271300	SUPPORT	1			
26	82401800120	PLUG (FOR M12)	1			
27	91850310305	CLAMP	4			
29	31651760800	PLATE, CAUTION	1			
30	90302040601	WASHER, SPRING	4		6	
33	90186306010	BOLT, FLANGE	4		M6X10	
34	31732211000	GUARD ASSY	1			
35	37010500850	PLATE	1		T=1.5	
36	91810130250	FASTENER	3			
41	31653243100	SUPPORT	2			
42	82197518114	CAP (MATSUSHITA/BLACK)	6			
	82197518119	CAP (PLUS ONE MFG./BLACK)	6			
44	82197600101	CAP (BLACK)	4			
54	82197600103	CAP (RED)	1			
61	31653322200	SWITCH ASSY (WITH HARNES, 2-SW)	2			
63	31657282100	SUPPORT	2			
64	31653322300	PLATE, NAME	1			
84	31653323100	PLATE, NAME	1			
91	31653242200	COVER (PLASTIC)	1			
92	82100002596	RELAY	3			
93	90280200600	NUT, FLANGE	3		M6	
94	80192486012	SCREW, MACHINE	3		M6X12	
95	82400000475	PLATE	1			
101	31653223200	SWITCH ASSY (PLATING:NACC)	1			
102	31653223300	SWITCH ASSY (GREEN:PANASONIC)	1			
111	31653224200	SWITCH ASSY (PLATING:NACC)	1			
112	31653224300	SWITCH ASSY (GREEN:PANASONIC)	1			
156	82166136411	BULB, LAMP	2		24V/12W	
161	31732211100	SUPPORT	1			
162	31732201200	PLATE	1			
163	31732201300	SEAL	1			

TM-ZR360 41102310070A FRAME/SL, MANUAL, HOOK-IN  
 PN1013753-00 ELEC.ASSY



ZR290, ZR260  
 ZR300Jの場合

TM-ZR360 41102310070A FRAME/SL, MANUAL, HOOK-IN  
PN1013753-00 ELEC.ASSY



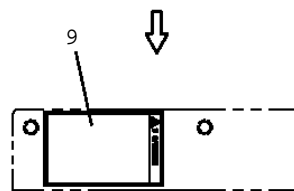
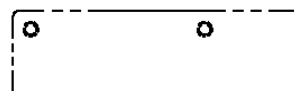
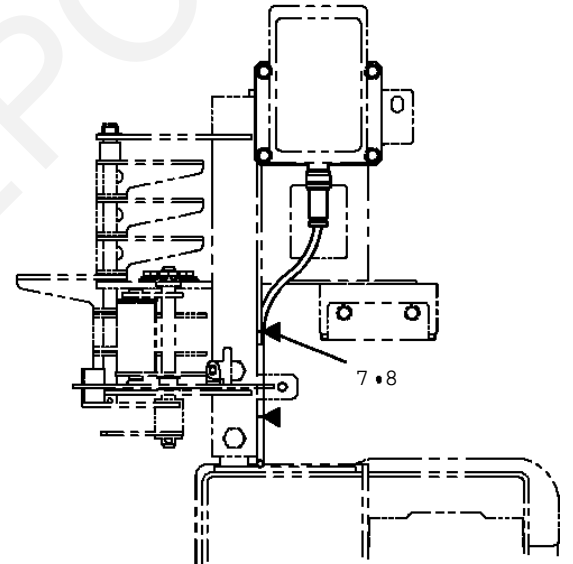
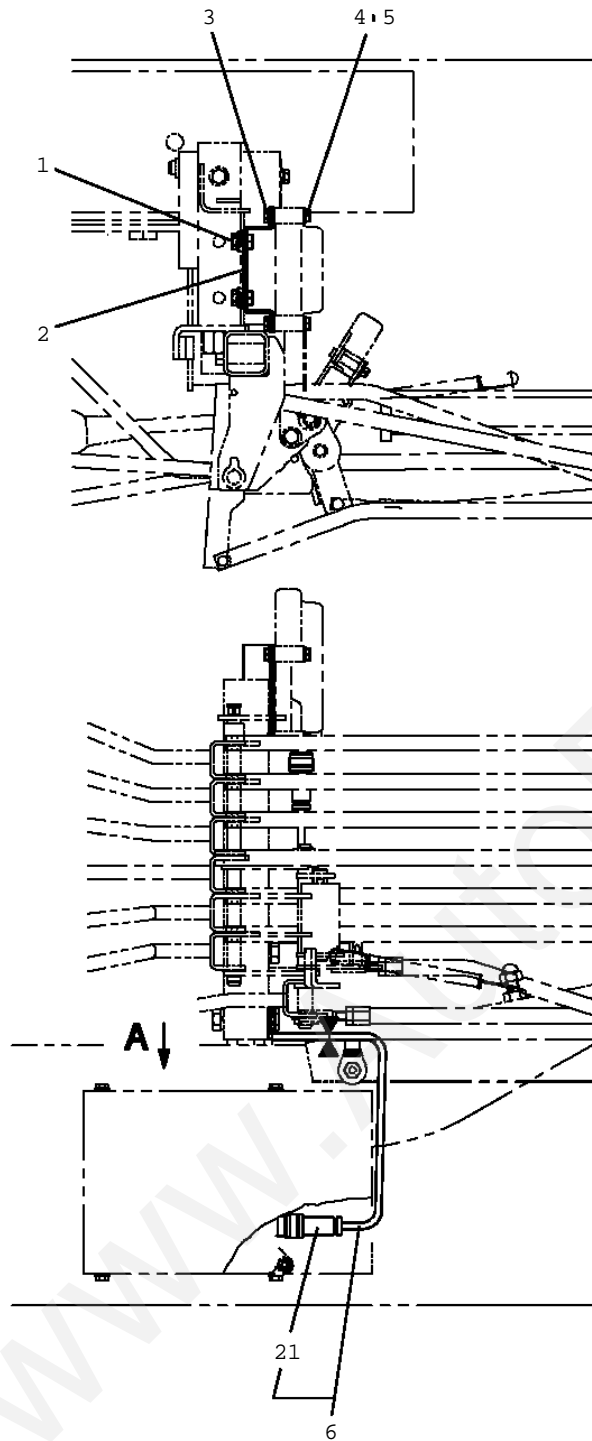
**TM-ZR360 41102310070A FRAME/SL, MANUAL, HOOK-IN**

Pos No.	Parts No	Parts Name	Qty	Unit	Technical Data	Serial No (Start)	Ser
2	90186208010	BOLT, FLANGE	2		M8X10		
3	31651762300	HARNESS	1				
4	82401600510	CLAMP	2		10		
5	82100002490	CAP	1				
6	91810130240	FASTENER	6				
7	31653450100	SUPPORT	1				
8	80192483010	SCREW, MACHINE	4		M3X10		
9	31651760800	PLATE, CAUTION	1				
10	82100001209	CAP (RECEPTACLE)	1				
11	31653221700	PLATE, CAUTION	1				
31	36800174100	BOX	1				
32	31653312100	SUPPORT	1				
33	31642171600	PLATE, NAME	1				
34	36800174300	PLATE, CAUTION	1				
35	31652170320	PLATE, NAME	1				
36	80182306016	SCREW, MACHINE	3		M6X16		
37	90303100601	WASHER, PLAIN	4		6		
38	90280200600	NUT, FLANGE	4		M6		
39	80182306020	SCREW, MACHINE	1		M6X20		
53	82100002478	CAP	1				
61	36800175090	COVER (UPPER)	1				

www.AutoEPC.com



TM-ZR360 41102310070A FRAME/SL, MANUAL, HOOK-IN  
 PN1013754-01 ELEC.ASSY (ANTENNA)



**A**

9

**⚠ 危険 / 高圧電圧注意**

- 制御ユニット等の電線等は、高圧電圧に接しないようご注意ください。
- 電線が損傷し、高圧に接触するとクレーンが高圧電圧を受ける恐れがあります。
- 制御ユニットは日常点検時に点検を行い、損傷がある場合は直ちにクレーンメーカーに連絡し、修理を行ってください。

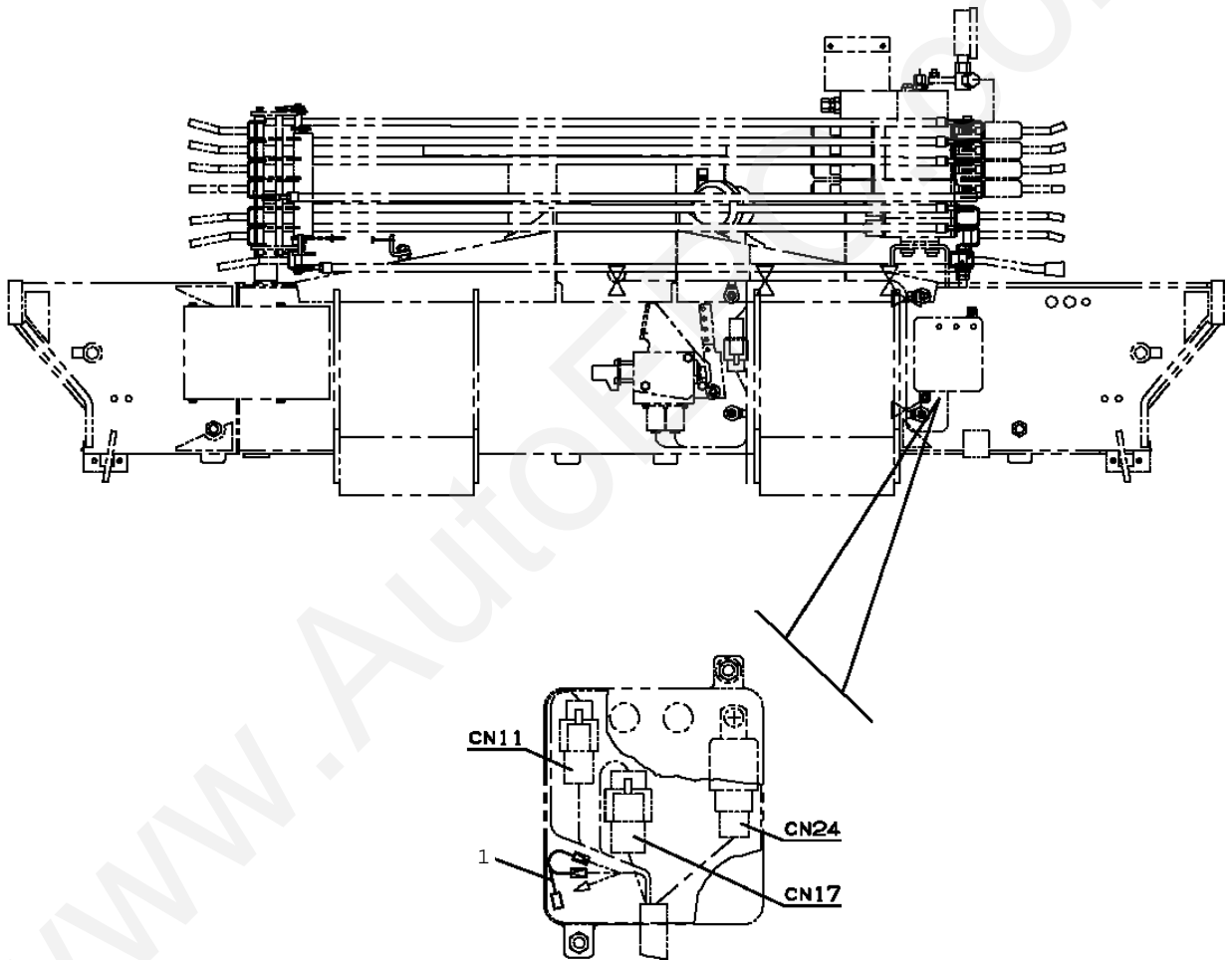
制御ユニット

**TM-ZR360 41102310070A FRAME/SL,MANUAL,HOOK-IN**

Pos No.	Parts No	Parts Name	Qty	Unit	Technical Data	Serial No (Start)	Serial
1	90186208014	BOLT, FLANGE	2		M8X14		
2	31653230100	SUPPORT	1				
3	90280200600	NUT, FLANGE	4		M6		
4	90101206040	BOLT	4		M6X40		
5	90303070601	WASHER, PLAIN	4		6		
6	31653230200	CABLE ASSY	1		L=800		
7	91850310405	CLAMP (BLACK)	1				
8	91810130240	FASTENER	3				
9	31653221700	PLATE, CAUTION	1				
21	82100002385	CONNECTOR	2				

www.AutoEPC.com

TM-ZR360 41102310070A FRAME/SL, MANUAL, HOOK-IN  
PN1013757-01 ELEC.ASSY (HARNESS FOR STANDBY POWER)

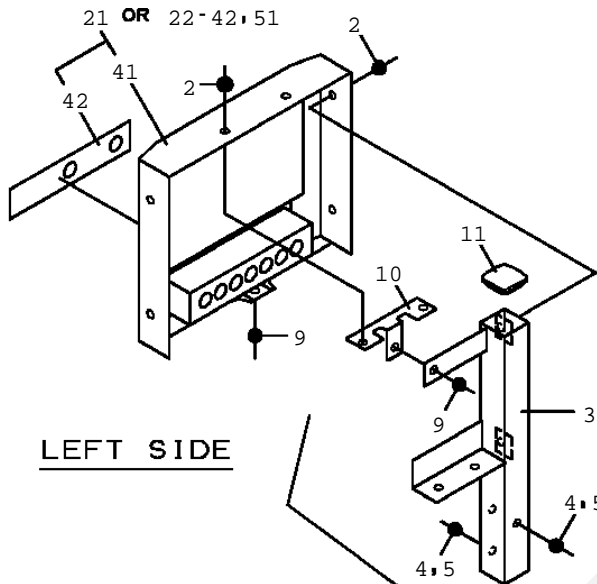


**TM-ZR360 41102310070A FRAME/SL,MANUAL,HOOK-IN**

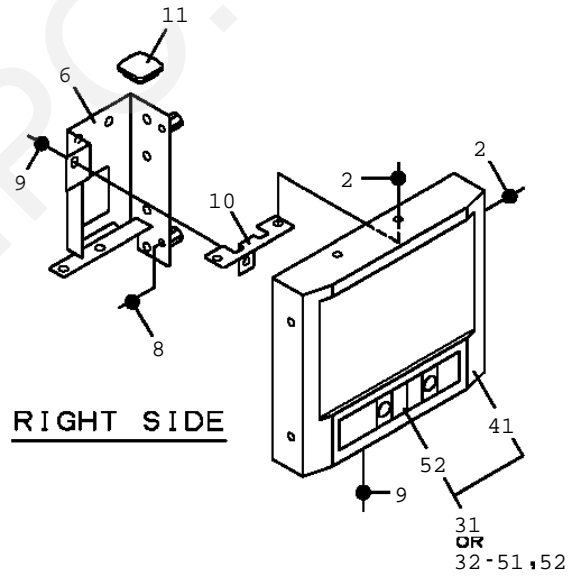
Pos No.	Parts No	Parts Name	Qty	Unit	Technical Data	Serial No (Start)	Serial No
1	31361312100	HARNESS	1				

www.AutoEPC.com

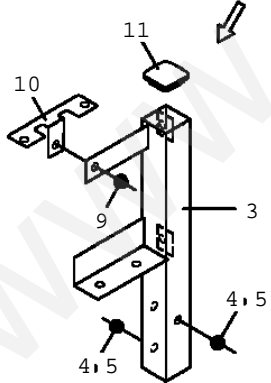
TM-ZR360 41102310070A FRAME/SL, MANUAL, HOOK-IN  
 PN1013976-02 ELEC.ASSY (SWITCH COVER)



LEFT SIDE



RIGHT SIDE



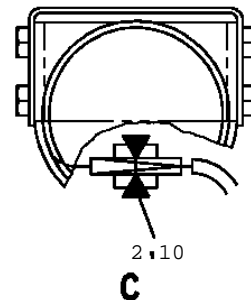
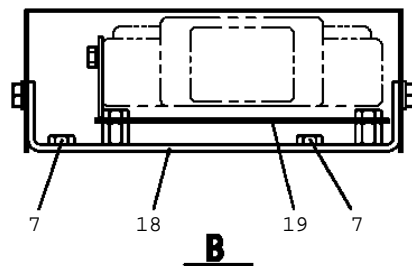
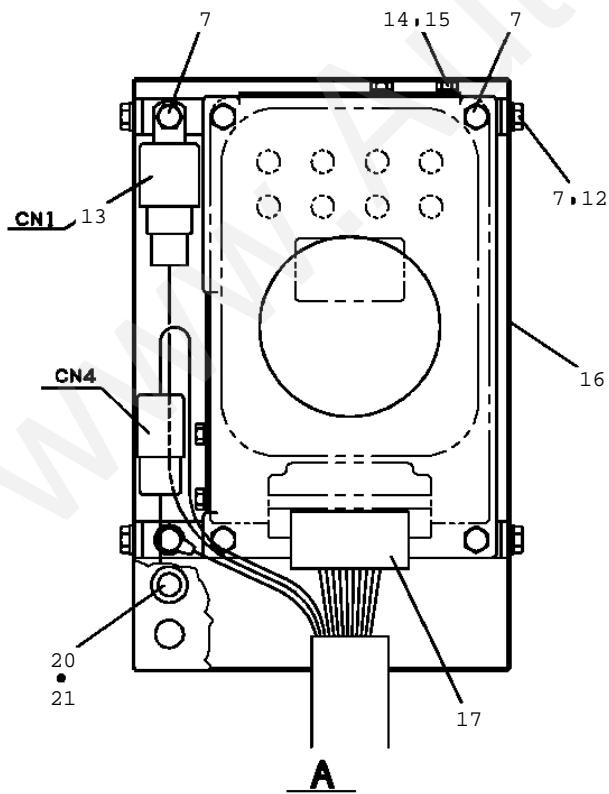
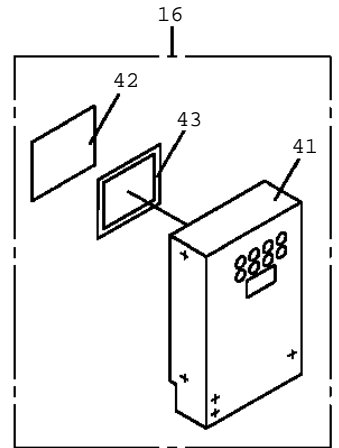
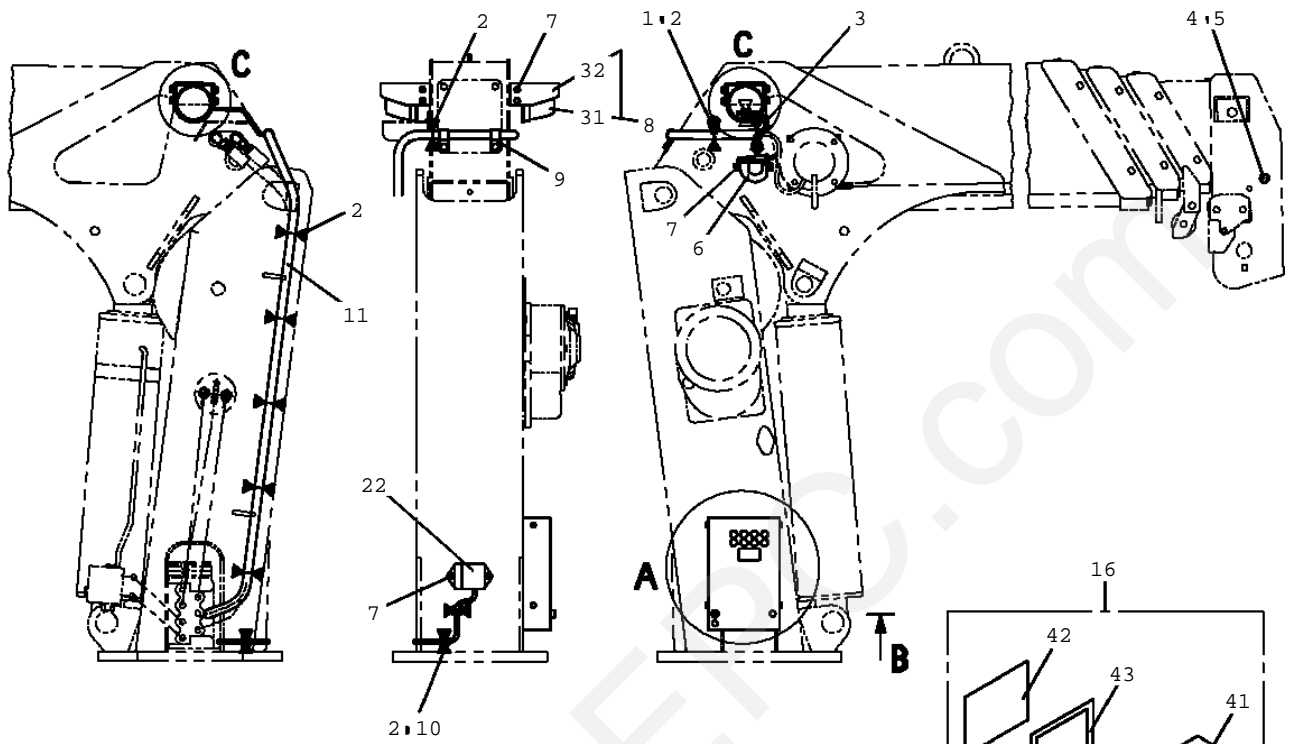
31  
 OR  
 32-51, 52

**TM-ZR360 41102310070A FRAME/SL,MANUAL,HOOK-IN**

Pos No.	Parts No	Parts Name	Qty	Unit	Technical Data	Serial No (Start)	Serial
2	80183308014	SCREW,MACHINE	8		M8X14		
3	31270211100	SUPPORT	1				
4	90302041001	WASHER,SPRING	3		10		
5	90171110016	BOLT	3		M10X16		
6	31270211200	SUPPORT	1				
8	90186210014	BOLT,FLANGE	2		M10X14		
9	90186208014	BOLT,FLANGE	4		M8X14		
10	31270211300	SUPPORT	2				
11	31270212000	CAP	2				
21	31270390100	COVER	1				
22	31270391200	COVER (IP)	1				
31	31270390500	COVER	1				
32	31270391600	COVER (IP)	1				
41	31270210200	COVER	2				
42	31270390110	PLATE,NAME	2				
51	31270211400	COVER (IP)	2				
52	31270390510	PLATE,NAME	2				

www.AutoEPC.com

TM-ZR360 41102310070A FRAME/SL, MANUAL, HOOK-IN  
 PN1013979-01 ELEC.ASSY (UPPER)

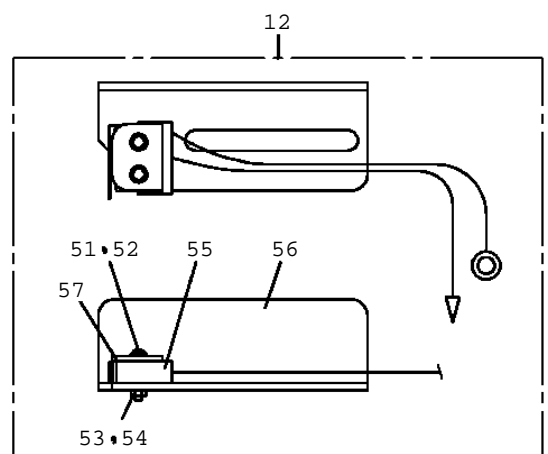
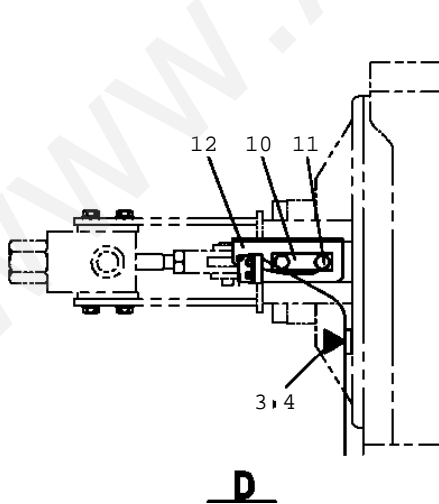
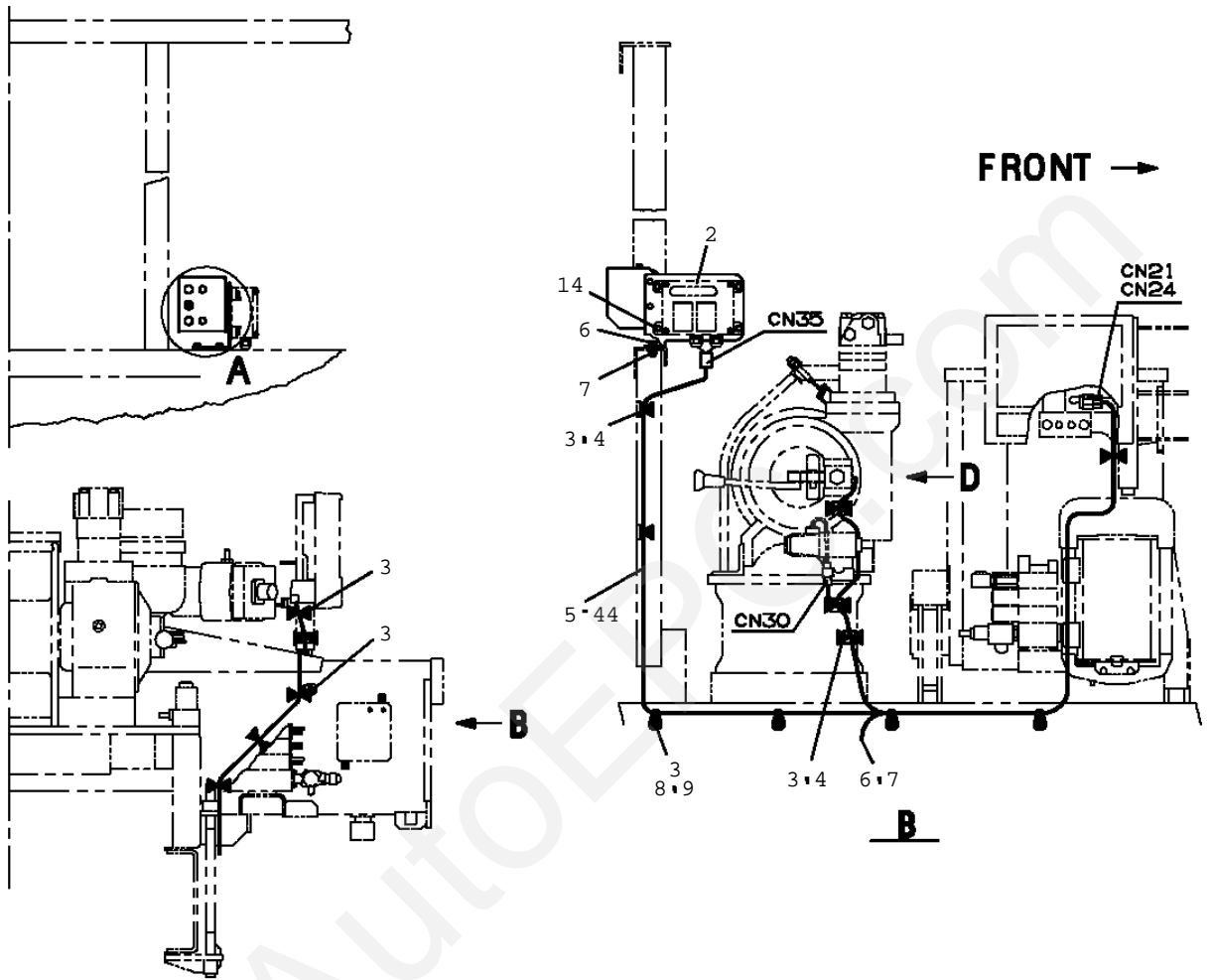


**TM-ZR360 41102310070A FRAME/SL,MANUAL,HOOK-IN**

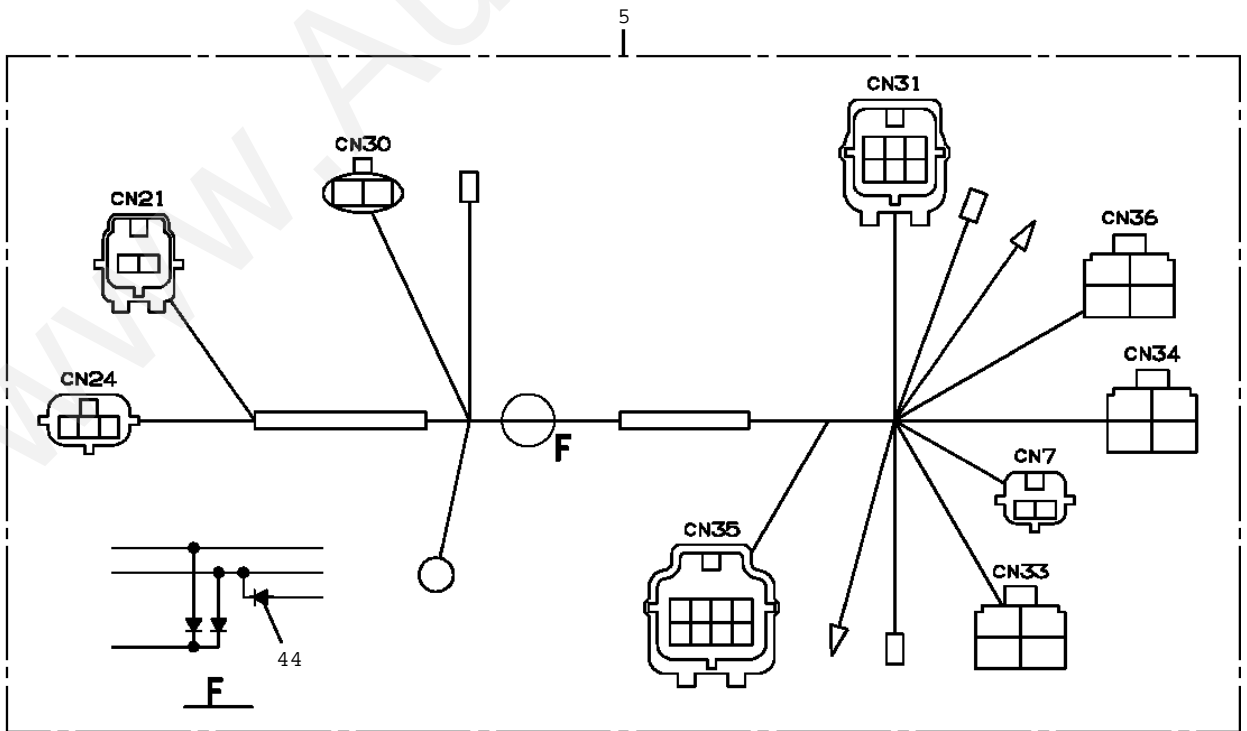
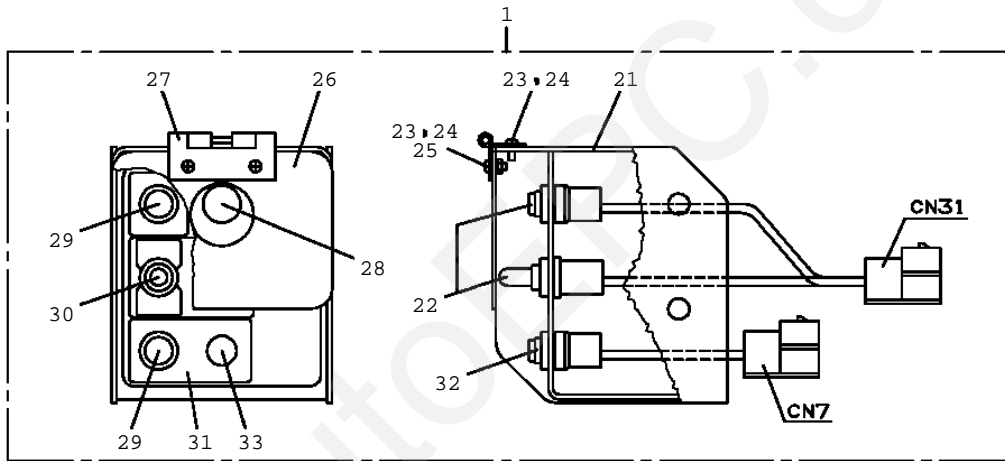
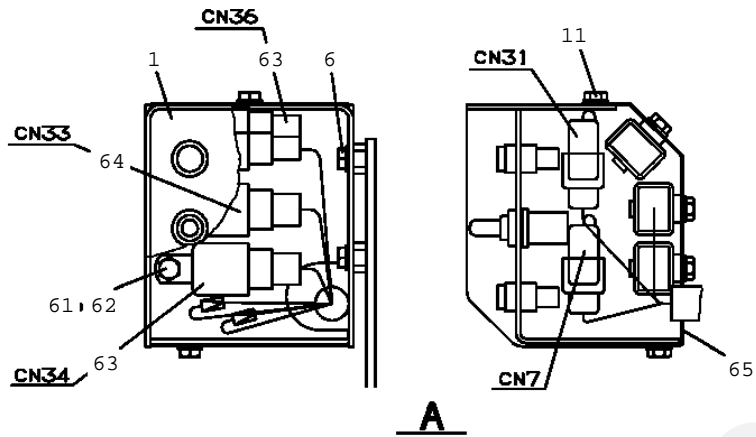
Pos No.	Parts No	Parts Name	Qty	Unit	Technical Data	Serial No
1	91850100802	CLAMP (STUD BOLT MOUNT)	2			
2	91810130240	FASTENER	18			
3	31360741200	HARNESS	1			
4	31360191200	SUPPORT	1			
5	90203201200	NUT	1		M12	
6	36140470000	DETECTOR,BOOM ANGLE	1			
7	90186206010	BOLT,FLANGE	24		M6X10	
8	31360741300	LAMP ASSY	2			
9	82100002015	CLAMP	2		WRC20	
10	91850310305	CLAMP	5			
11	31360191010	COVER	1			
12	90303070601	WASHER,PLAIN	4		6	
13	82100002596	RELAY	1			
14	90101205010	BOLT	4		M5X10	
15	90302040501	WASHER,SPRING	4		5	
16	31361112100	COVER ASSY	1			
17	31361471100	HARNESS	1			
18	31360741600	SUPPORT	2			
19	31360741700	SUPPORT	1			
20	31653303200	SWITCH ASSY (NIHON AUTOMATIC)	1			
21	82197600101	CAP (BLACK)	1			
22	31652030200	BUZZER ASSY	1			
31	82199444326	LAMP (YELLOW) <24V 12W)	2			
32	31360741310	SUPPORT	2			
41	31361112110	COVER	1			
42	31361112120	PLATE	1			
43	31361112130	SEAL	1			
56	82166136411	BULB,LAMP	2		24V/12W	



TM-ZR360 41102310070A FRAME/SL, MANUAL, HOOK-IN  
 PN1014222-03 ELEC.ASSY (KYOKUTO RADICON)



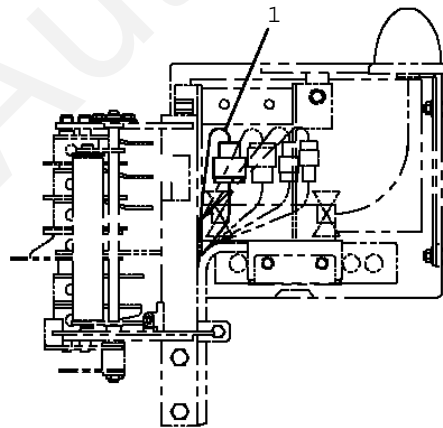
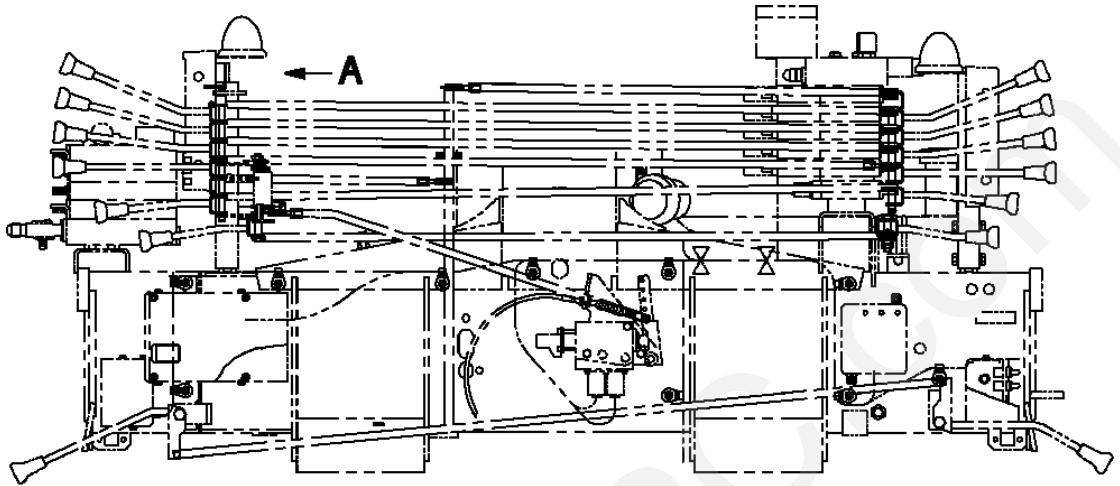
TM-ZR360 41102310070A FRAME/SL, MANUAL, HOOK-IN  
 PN1014222-03 ELEC.ASSY (KYOKUTO RADICON)



**TM-ZR360 41102310070A FRAME/SL,MANUAL,HOOK-IN**

Pos No.	Parts No	Parts Name	Qty	Unit	Technical Data	Serial No
1	31653861000	SWITCH ASSY	1			
2	31655850100	SUPPORT	1			
3	91810130240	FASTENER	23			
4	91850310405	CLAMP (BLACK)	13			
5	31653860101	HARNESS	1			
6	90186208025	BOLT, FLANGE	5		M8X25	
7	90280200800	NUT, FLANGE	3		M8	
8	91850100802	CLAMP (STUD BOLT MOUNT)	4			
9	90101206025	BOLT	4		M6X25	
10	37000576020	PLATE	1			
11	90186206016	BOLT, FLANGE	5		M6X16	
12	31653740500	SWITCH ASSY	1			
13	31653862000	COVER ASSY	1			
14	90186206020	BOLT, FLANGE	4		M6X20	
21	31653741100	PANEL	1			
22	31653741200	SWITCH ASSY (PLATING:NACC)	1			
23	80171303008	SCREW, MACHINE	4		M3X8	
24	90302040301	WASHER, SPRING	4		3	
25	90201200300	NUT	2		M3	
26	31653741300	COVER	1			
27	82464104601	HINGE	1			
28	42650551130	LAMP ASSY (GREEN)	1			
29	82197600103	CAP (RED)	2			
30	82197518119	CAP (PLUS ONE MFG./BLACK)	1			
	82197518114	CAP (MATSUSHITA/BLACK)	1			
31	31653861100	PLATE, NAME	1			
32	31652112300	SWITCH ASSY (NIHON AUTOMATIC)	1			
33	42433333300	LAMP ASSY (RED)<24V)	1			
44	82100000638	DIODE	3			
51	80161302014	SCREW, MACHINE	2		M2X14	
52	90303070201	WASHER, PLAIN	2		2	
53	90302040201	WASHER, SPRING (2)	2			
54	90201200200	NUT	2		M2	
55	31652231120	SWITCH	1			
56	31653740510	SUPPORT	1			
57	31653740520	SUPPORT	1			
61	90186206014	BOLT, FLANGE	3		M6X14	
62	90201200600	NUT	3		M6	
63	82100002596	RELAY	2			
64	82100002597	RELAY	1			
65	31653742100	COVER	1			

TM-ZR360 41102310070A FRAME/SL, MANUAL, HOOK-IN  
PN1014247-00 ELEC.ASSY



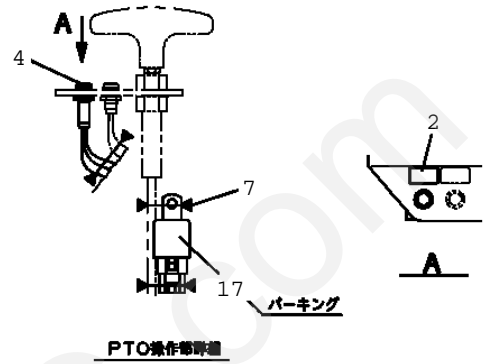
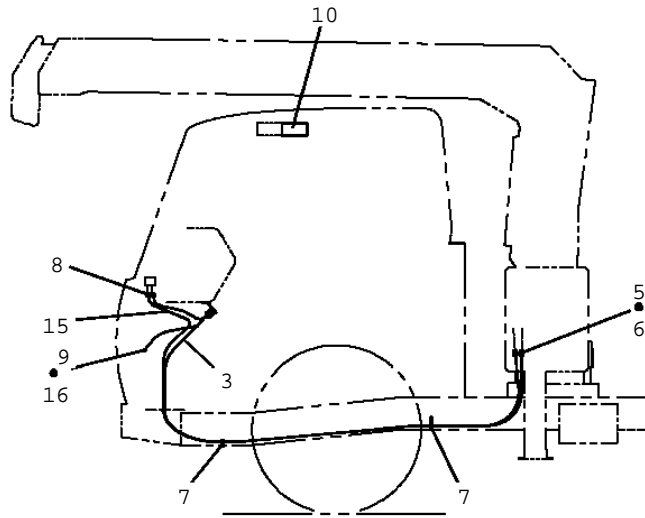
A

**TM-ZR360 41102310070A FRAME/SL, MANUAL, HOOK-IN**

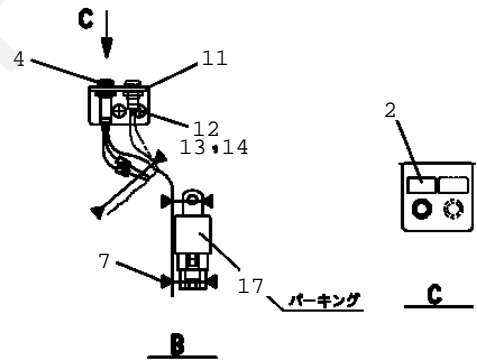
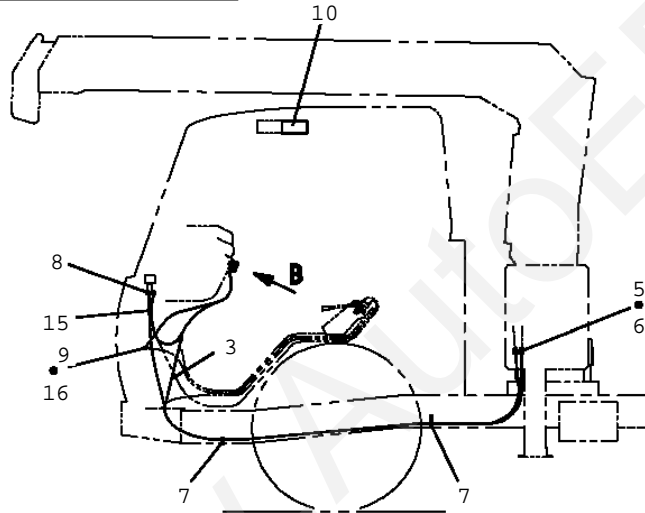
Pos No.	Parts No	Parts Name	Qty	Unit	Technical Data	Serial No (Start)	Serial No
1	31478272100	HARNESS	1				

www.AutoEPC.com

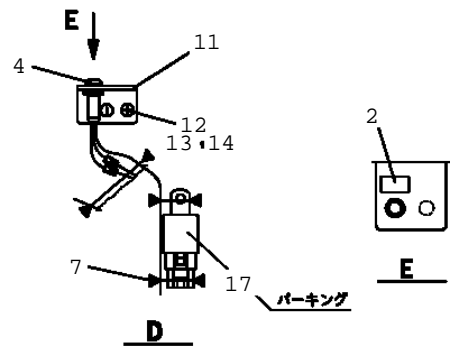
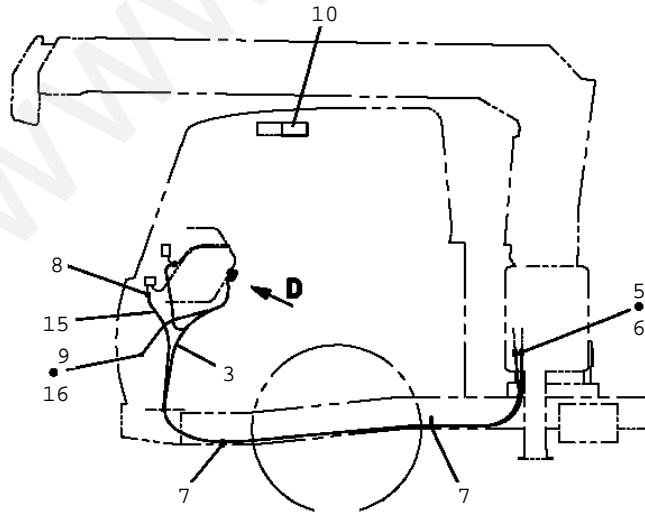
**PTOレバーがハンドル横にある場合**

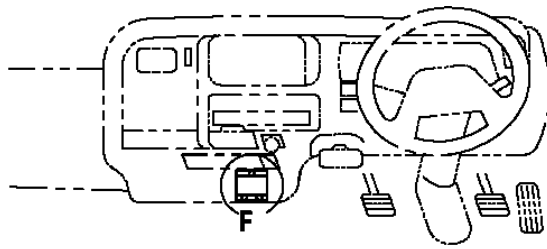


**PTOレバーが駆動機にある場合**

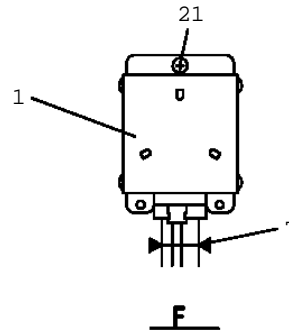


**純正PTO付巻の場合**

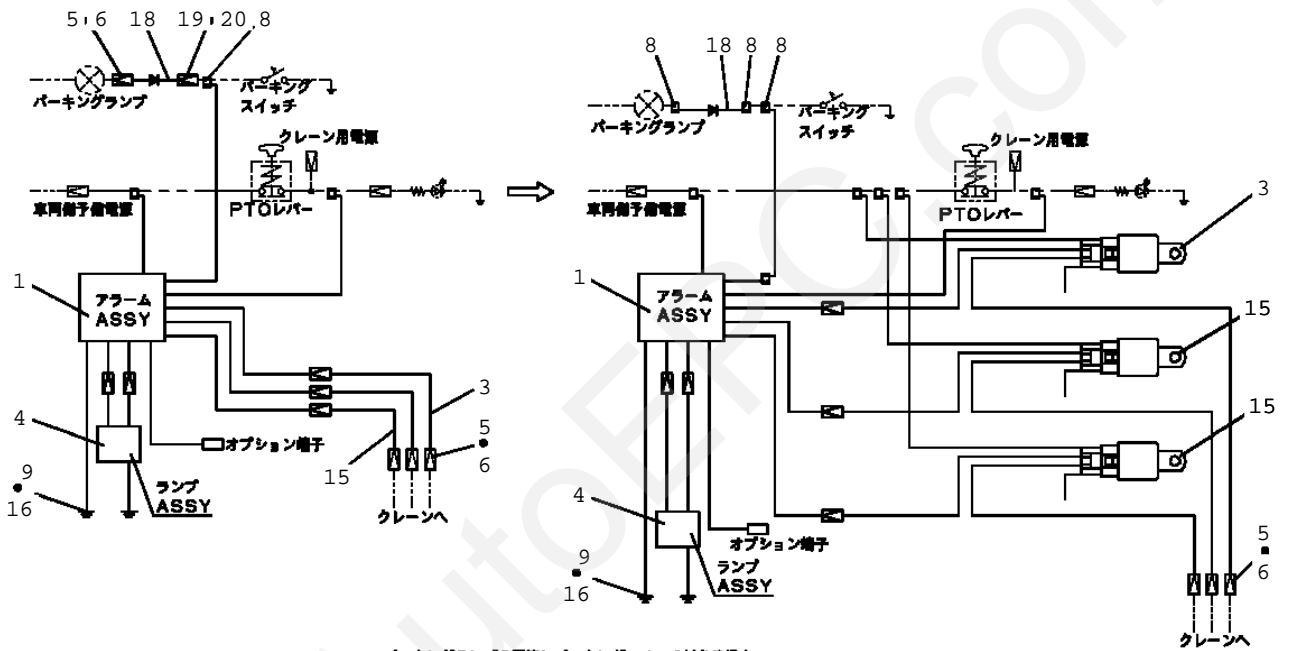




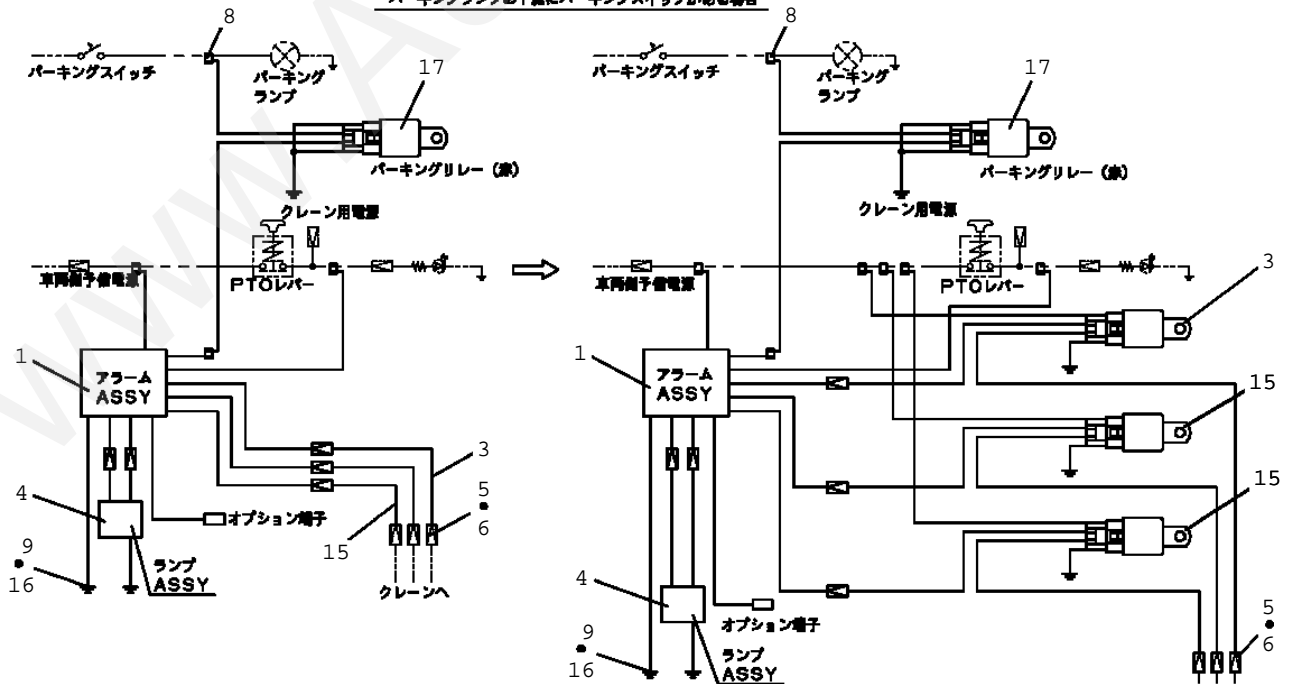
アラームAASSY取付



F



パーキングランプの下側にパーキングスイッチがある場合



パーキングランプの上側にパーキングスイッチがある場合

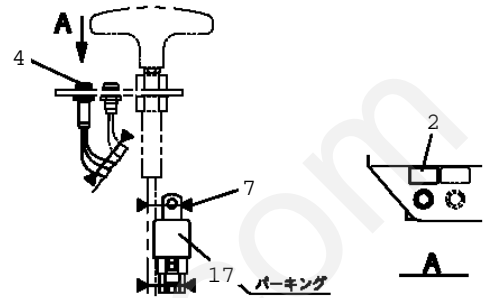
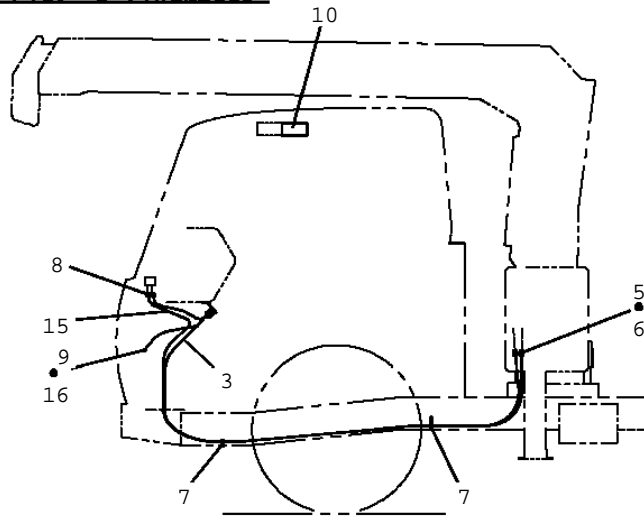
**TM-ZR360 41102310070A FRAME/SL,MANUAL,HOOK-IN**

Pos No.	Parts No	Parts Name	Qty	Unit	Technical Data	Serial No (Start)	Serial
1	31476362103	ALARM ASSY	1				
2	31475352100	PLATE,NAME	1				
3	31476362500	RELAY ASSY	1				
4	31380174000	LAMP ASSY	1				
5	82100000191	TERMINAL	3				
6	82100000183	INSULATOR	3				
7	91810130240	FASTENER	10				
8	82115001002	CONNECTOR	9				
9	82100001400	TERMINAL	6				
10	31476362700	PLATE, CAUTION	1				
11	31380292600	SUPPORT	1				
12	80172305020	SCREW, MACHINE	2		M5X20		
13	90302040501	WASHER, SPRING	2		5		
14	90303070501	WASHER, PLAIN	2		5		
15	31476362600	RELAY ASSY	2				
16	82100001220	INSULATOR	6				
17	31476362300	RELAY ASSY	1				
18	31475982400	DIODE ASSY	1				
21	90928040101	SCREW, TAPPING	3		M4X10		
23	82115001005	CONNECTOR	9				

www.AutoEPC.com

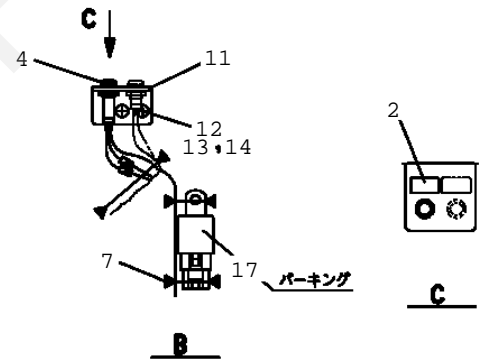
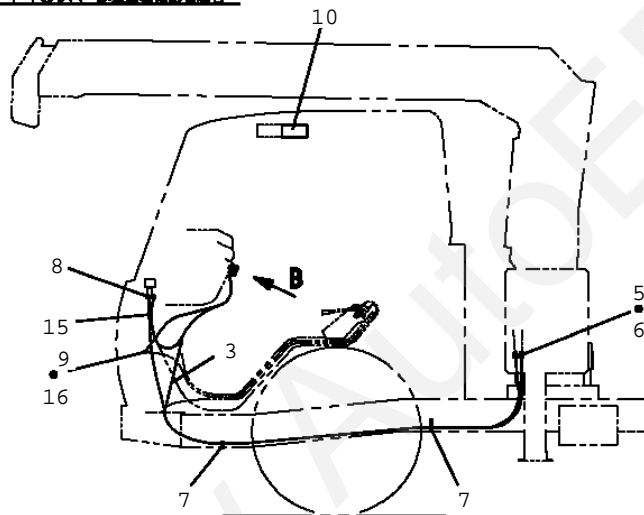


**PTOレバーがハンドル位置にある場合**

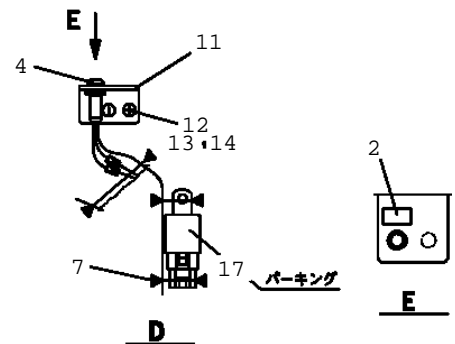
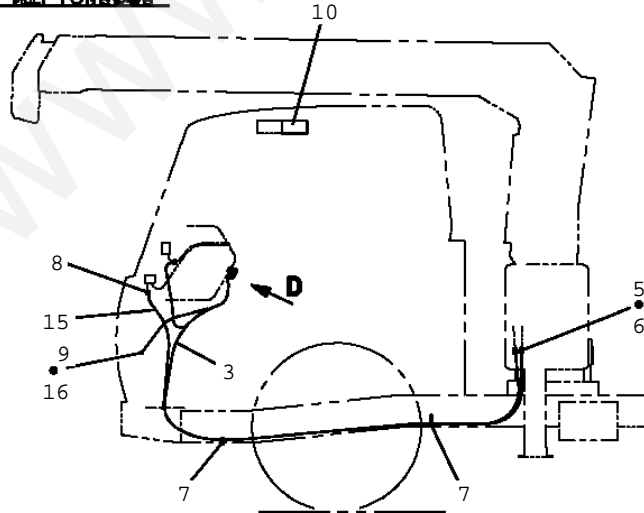


**PTO操作状態**

**PTOレバーが車体前にある場合**



**PTOレバーの場合**

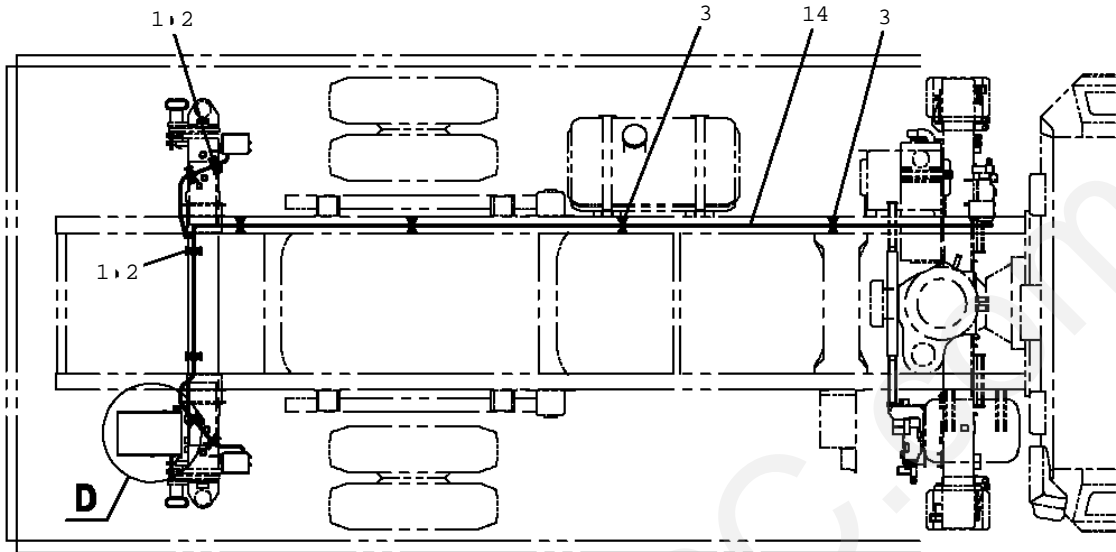


**TM-ZR360 41102310070A FRAME/SL,MANUAL,HOOK-IN**

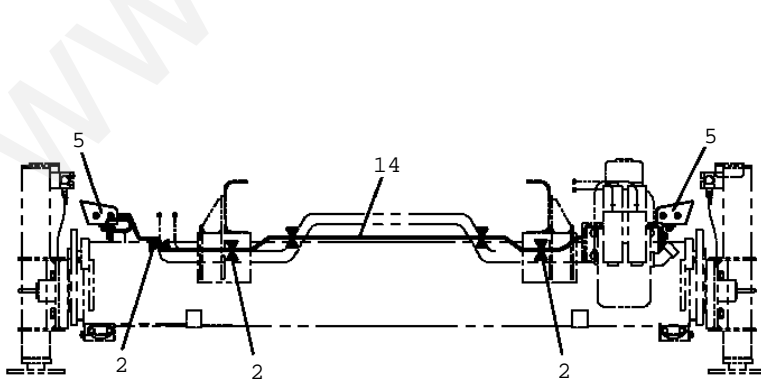
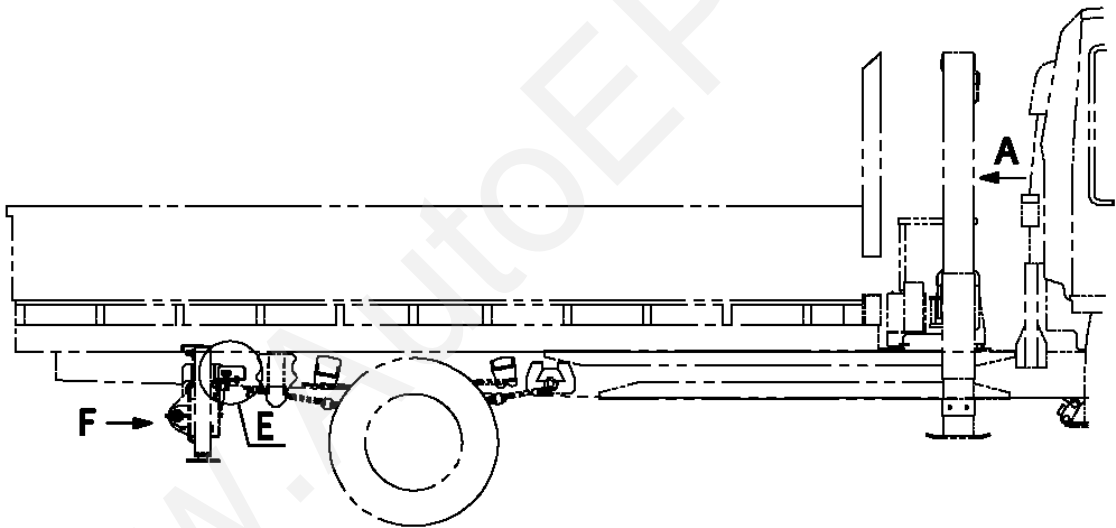
Pos No.	Parts No	Parts Name	Qty	Unit	Technical Data	Serial No (Start)	Serial
1	31476362103	ALARM ASSY	1				
2	31475352100	PLATE,NAME	1				
3	31476362500	RELAY ASSY	1				
4	31380174000	LAMP ASSY	1				
5	82100000191	TERMINAL	1				
6	82100000183	INSULATOR	1				
7	91810130240	FASTENER	10				
8	82115001002	CONNECTOR	7				
9	82100001400	TERMINAL	6				
10	31476362700	PLATE,CAUTION	1				
11	31380292600	SUPPORT	1				
12	80172305020	SCREW,MACHINE	2		M5X20		
13	90302040501	WASHER,SPRING	2		5		
14	90303070501	WASHER,PLAIN	2		5		
15	31477472100	HARNES (RED)	2		L=1000		
16	82100001220	INSULATOR	6				
17	31476362300	RELAY ASSY	1				
18	31475982400	DIODE ASSY	1				
21	90928040101	SCREW,TAPPING	3		M4X10		
23	82115001005	CONNECTOR	7				

www.AutoEPC.com

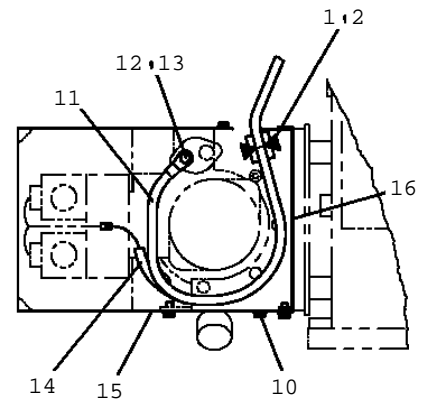
TM-ZR360 41102310070A FRAME/SL, MANUAL, HOOK-IN  
PN1014685-02 ELEC.ASSY



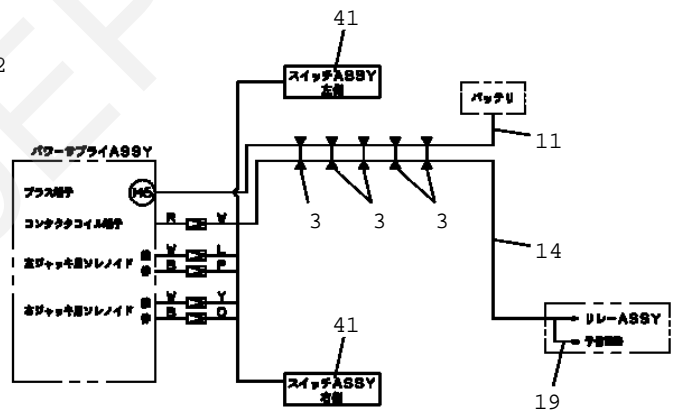
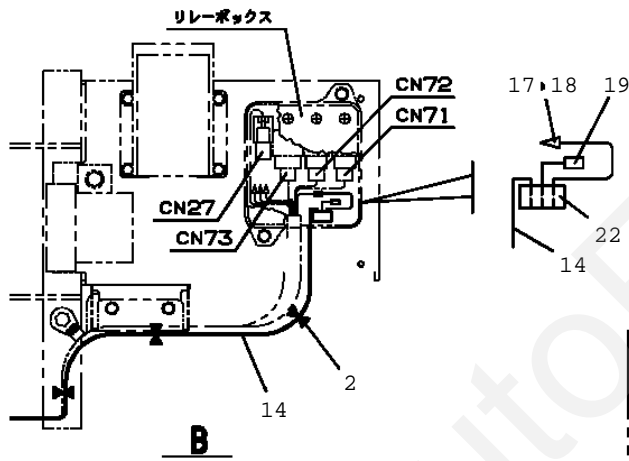
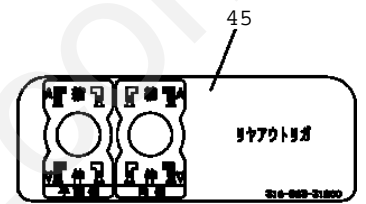
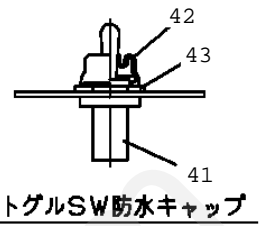
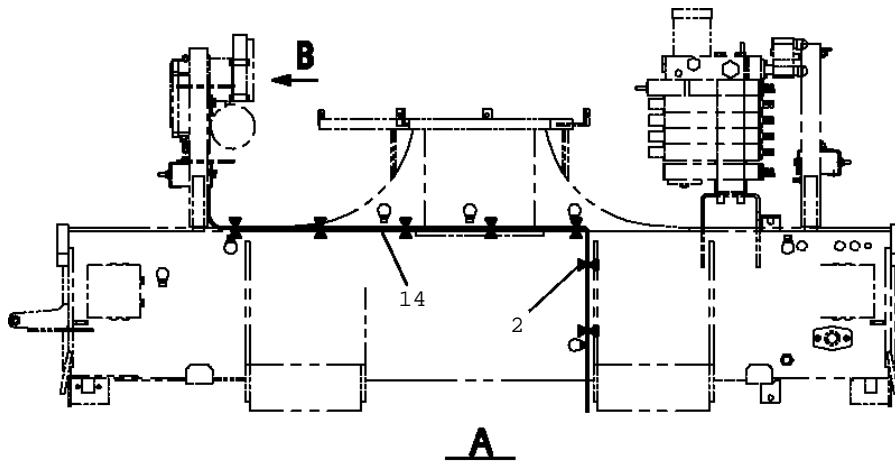
→ FRONT



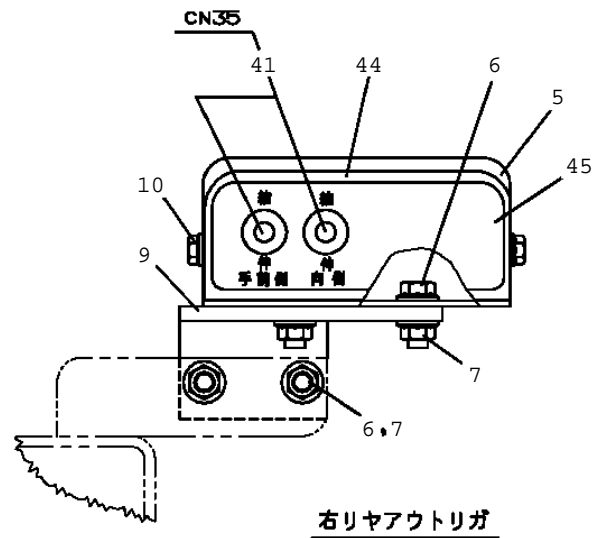
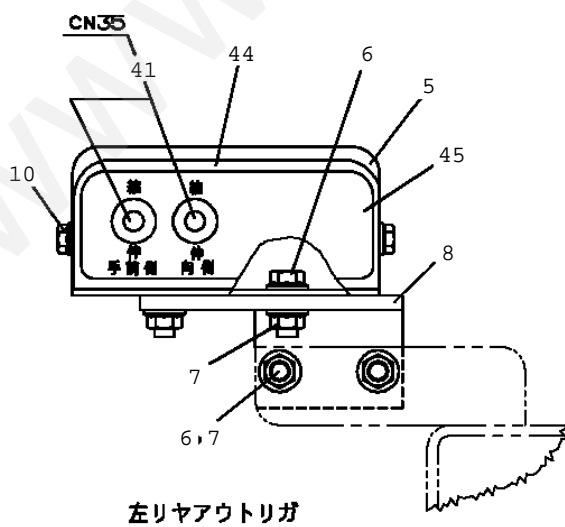
F



D



ハーネス経路



E

**TM-ZR360 41102310070A FRAME/SL,MANUAL,HOOK-IN**

Pos No.	Parts No	Parts Name	Qty	Unit	Technical Data	Serial
1	91850310405	CLAMP (BLACK)	7			
2	91810130240	FASTENER	20			
3	91810130250	FASTENER	5			
5	31657280200	COVER	2			
6	90186208020	BOLT,FLANGE	8		M8X20	
7	90280200800	NUT,FLANGE	8		M8	
8	31653470100	SUPPORT	1			
9	31653470200	SUPPORT	1			
10	90186206010	BOLT,FLANGE	12		M6X10	
11	31611614300	HARNESS	1		L=10000	
12	82100002503	TERMINAL	1			
13	82100001226	INSULATOR	1			
14	31656330200	HARNESS	1			
15	31611614500	COVER	1			
16	31611614400	COVER	1			
17	82100000192	TERMINAL	1			
18	82100000182	INSULATOR	1			
19	31478092200	HARNESS	1		L=100	
22	82115001005	CONNECTOR	1			
41	31653322200	SWITCH ASSY (WITH HARNESS,2-SW)	2			
42	82199514013	CAP	4			
43	82199504017	NUT	4		AT-401N	
44	31657282100	SUPPORT	2			
45	31656331200	PLATE,NAME	2			

TM-ZR360 41102310070A FRAME/SL,MANUAL,HOOK-IN  
PN1080229-00 LAMP (MOUNT,POST/24V-60W)

1	ハイゼンASSY (ロー) ELEC. ASSY (LOWER)
2	ハイゼンASSY (アツパ) ELEC. ASSY (UPPER)

**TM-ZR360 41102310070A FRAME/SL,MANUAL,HOOK-IN**

Pos No.	Parts No	Parts Name	Qty	Unit	Technical Data	Se
1	(***** )	ELEC.ASSY (LAMP,LOWER/FRAME)	1			
2	(***** )	ELEC.ASSY (24V60W LAMP/MOUNT,POST)	1			

www.AutoEPC.com

TM-ZR360 41102310070A FRAME/SL, MANUAL, HOOK-IN  
PN1080230-01 LAMP (MOUNT, BOOM/24V-45W)

指示番号 KEY NO.	ランプ (フームトリツケ/24V-45W:フックイン, ラジコン) LAMP (MOUNT, BOOM/24V-45W:HOOK-IN, RADIO CONTROL)
1	ハイセンASSY (ロー) ELEC. ASSY (LOWER)
2	ハイセンASSY (アツハ) ELEC. ASSY (UPPER)

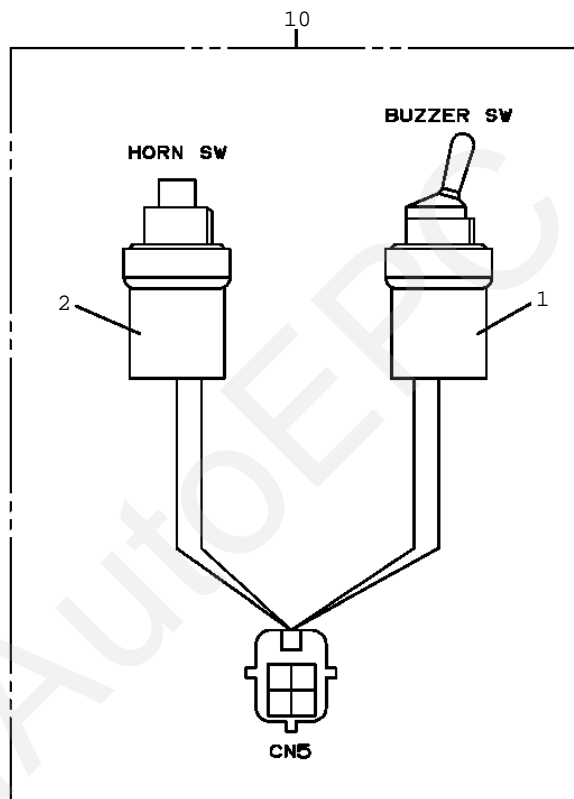


**TM-ZR360 41102310070A FRAME/SL,MANUAL,HOOK-IN**

Pos No.	Parts No	Parts Name	Qty	Unit	Technical Data	Se
1	(***** )	ELEC.ASSY (LAMP,LOWER/FRAME)	1			
2	(***** )	ELEC.ASSY (24V45W LAMP/MOUNT,BOOM)	1			

www.AutoEPC.com

TM-ZR360 41102310070A FRAME/SL, MANUAL, HOOK-IN  
PN1140220-00 SWITCH ASSY (PLATING:NACC)

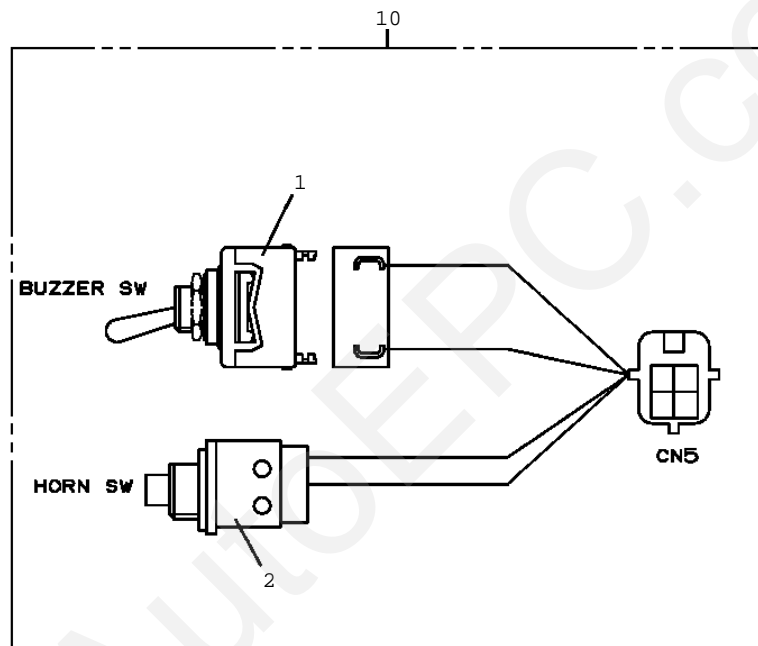


**TM-ZR360 41102310070A FRAME/SL,MANUAL,HOOK-IN**

Pos No.	Parts No	Parts Name	Qty	Unit	Technical Data	Serial No
1	82105501001	SWITCH,TOGGLE (PLATING)	1			
2	82101940130	SWITCH,PUSH (3PJW106F-021-CC)	1			
10	31653244200	SWITCH ASSY (PLATING:NACC)	1			

www.AutoEPC.com

TM-ZR360 41102310070A FRAME/SL, MANUAL, HOOK-IN  
PN1140221-00 SWITCH ASSY (GREEN: PANASONIC)

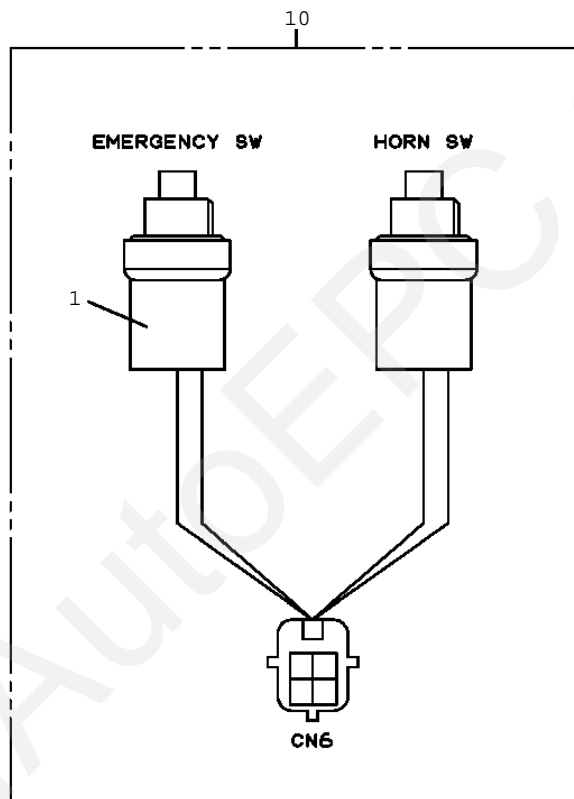


**TM-ZR360 41102310070A FRAME/SL,MANUAL,HOOK-IN**

Pos No.	Parts No	Parts Name	Qty	Unit	Technical Data	Serial No
1	82105410110	SWITCH,TOGGLE	1			
2	82101429241	SWITCH,PUSH (GREEN)	1			
10	31653244300	SWITCH ASSY (GREEN:PANASONIC)	1			

www.AutoEPC.com

TM-ZR360 41102310070A FRAME/SL, MANUAL, HOOK-IN  
PN1140222-00 SWITCH ASSY (PLATING:NACC)

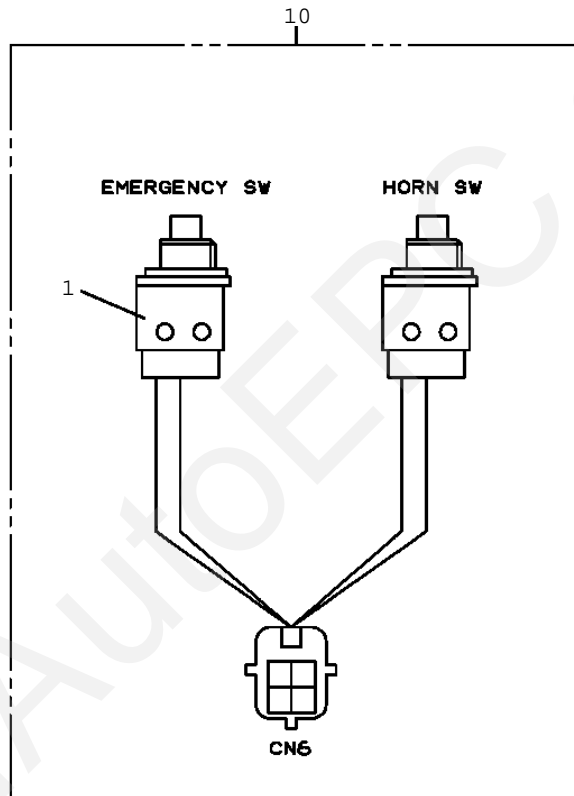


**TM-ZR360 41102310070A FRAME/SL,MANUAL,HOOK-IN**

Pos No.	Parts No	Parts Name	Qty	Unit	Technical Data	Serial No
1	82101940130	SWITCH,PUSH (3PJW106F-021-CC)	2			
10	31653243300	SWITCH ASSY (PLATING:NACC)	1			

www.AutoEPC.com

TM-ZR360 41102310070A FRAME/SL, MANUAL, HOOK-IN  
PN1140223-00 SWITCH ASSY (GREEN: PANASONIC)



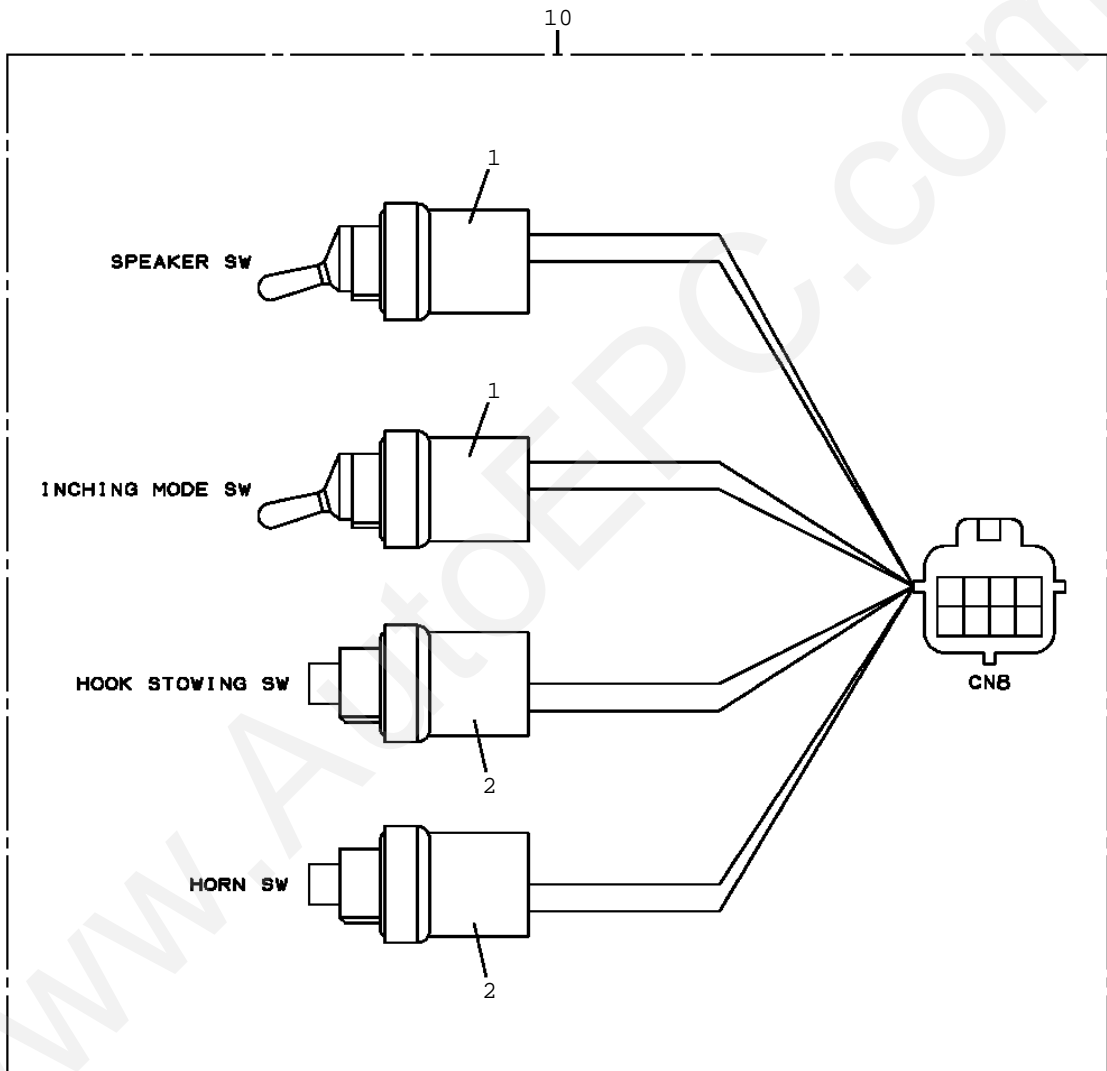


**TM-ZR360 41102310070A FRAME/SL,MANUAL,HOOK-IN**

Pos No.	Parts No	Parts Name	Qty	Unit	Technical Data	Serial No
1	82101429241	SWITCH,PUSH (GREEN)	2			
10	31653243400	SWITCH ASSY (GREEN:PANASONIC)	1			

www.AutoEPC.com

TM-ZR360 41102310070A FRAME/SL, MANUAL, HOOK-IN  
PN1140224-00 SWITCH ASSY (PLATING:NACC)

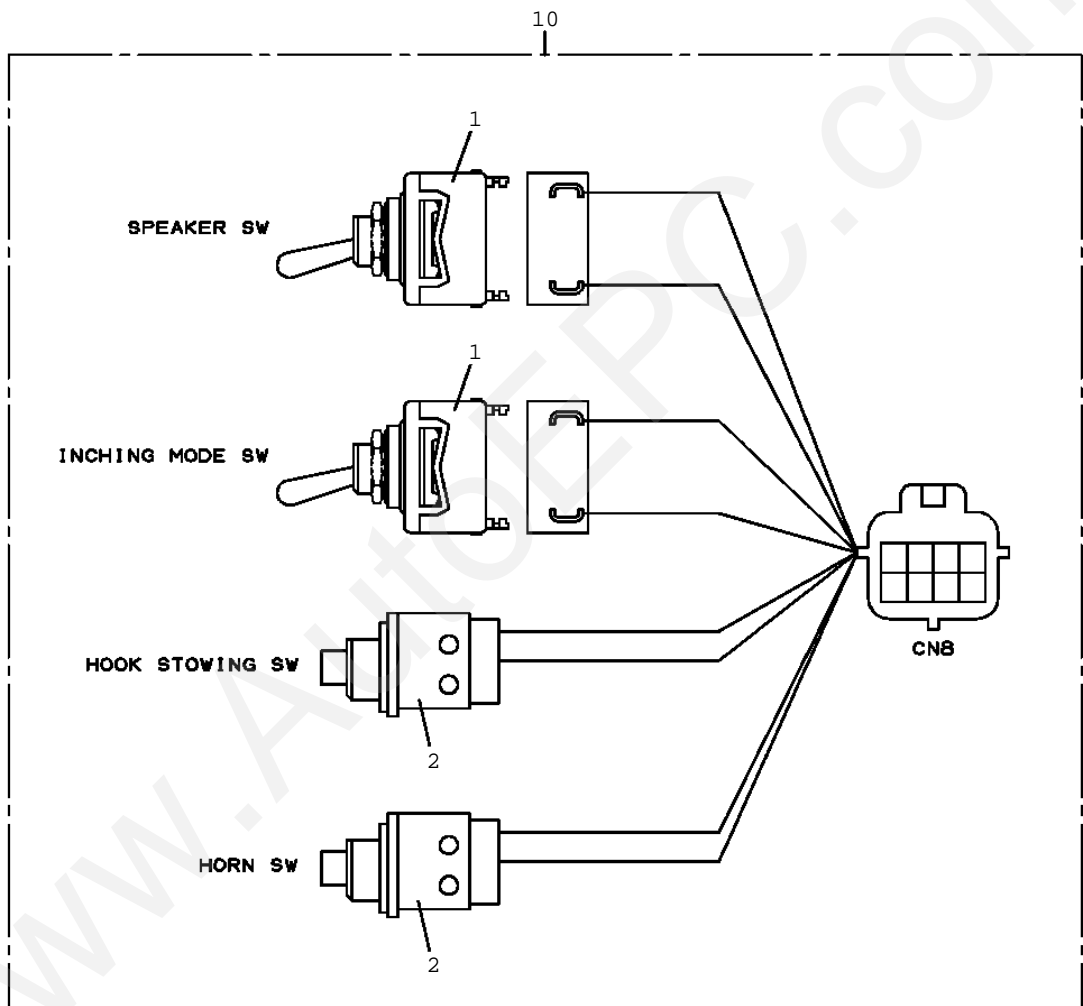


**TM-ZR360 41102310070A FRAME/SL,MANUAL,HOOK-IN**

Pos No.	Parts No	Parts Name	Qty	Unit	Technical Data	Serial No
1	82105501001	SWITCH,TOGGLE (PLATING)	2			
2	82101940130	SWITCH,PUSH (3PJW106F-021-CC)	2			
10	31653224200	SWITCH ASSY (PLATING:NACC)	1			

www.AutoEPC.com

TM-ZR360 41102310070A FRAME/SL, MANUAL, HOOK-IN  
PN1140225-00 SWITCH ASSY (GREEN: PANASONIC)

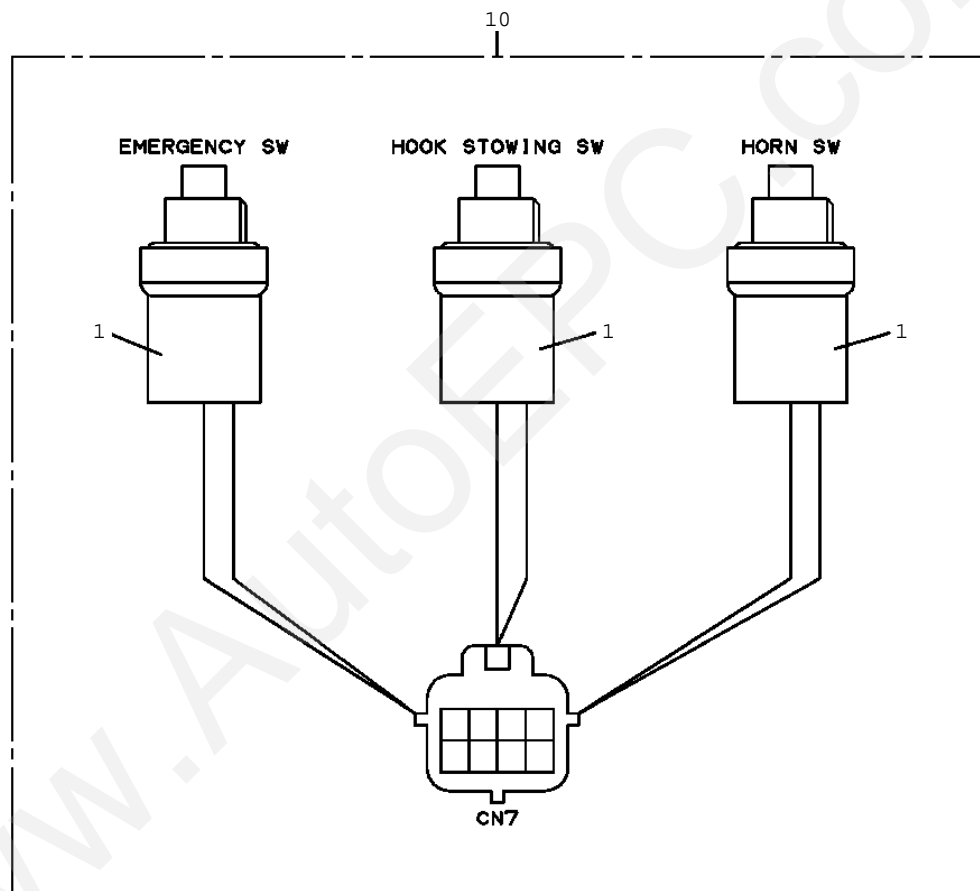


**TM-ZR360 41102310070A FRAME/SL,MANUAL,HOOK-IN**

Pos No.	Parts No	Parts Name	Qty	Unit	Technical Data	Serial No
1	82105410110	SWITCH,TOGGLE	2			
2	82101429241	SWITCH,PUSH (GREEN)	2			
10	31653224300	SWITCH ASSY (GREEN:PANASONIC)	1			

www.AutoEPC.com

TM-ZR360 41102310070A FRAME/SL, MANUAL, HOOK-IN  
PN1140226-00 SWITCH ASSY (PLATING:NACC)

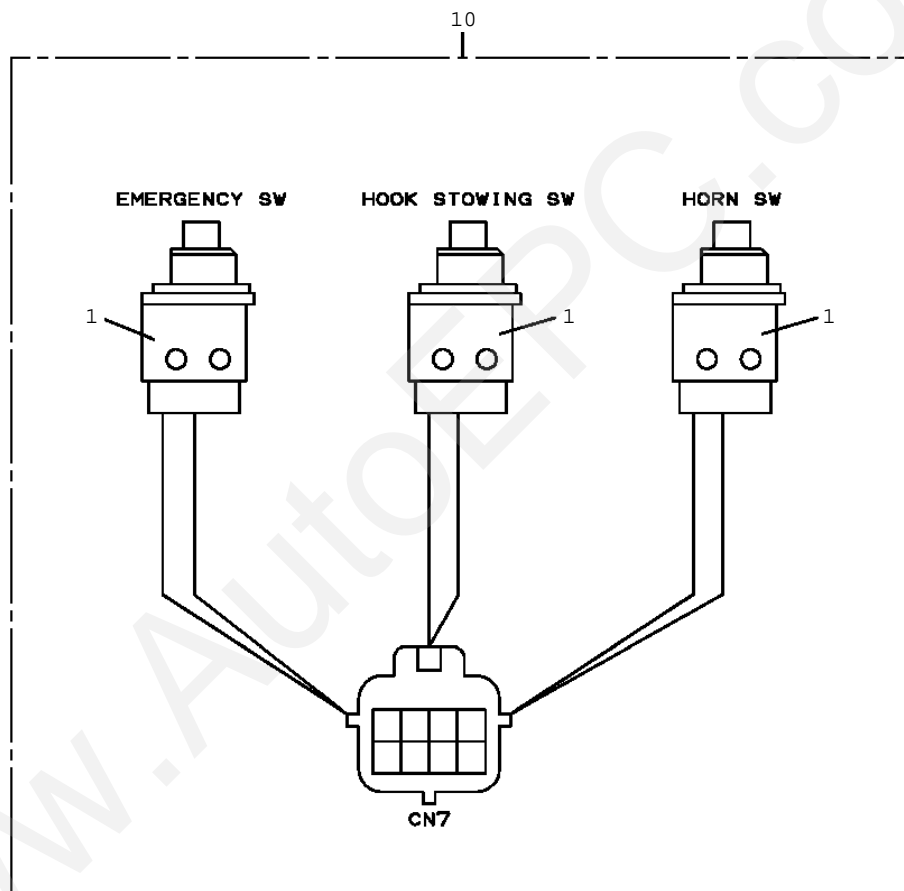


**TM-ZR360 41102310070A FRAME/SL,MANUAL,HOOK-IN**

Pos No.	Parts No	Parts Name	Qty	Unit	Technical Data	Serial No
1	82101940130	SWITCH,PUSH (3PJW106F-021-CC)	3			
10	31653223200	SWITCH ASSY (PLATING:NACC)	1			

www.AutoEPC.com

TM-ZR360 41102310070A FRAME/SL, MANUAL, HOOK-IN  
PN1140227-00 SWITCH ASSY (GREEN: PANASONIC)



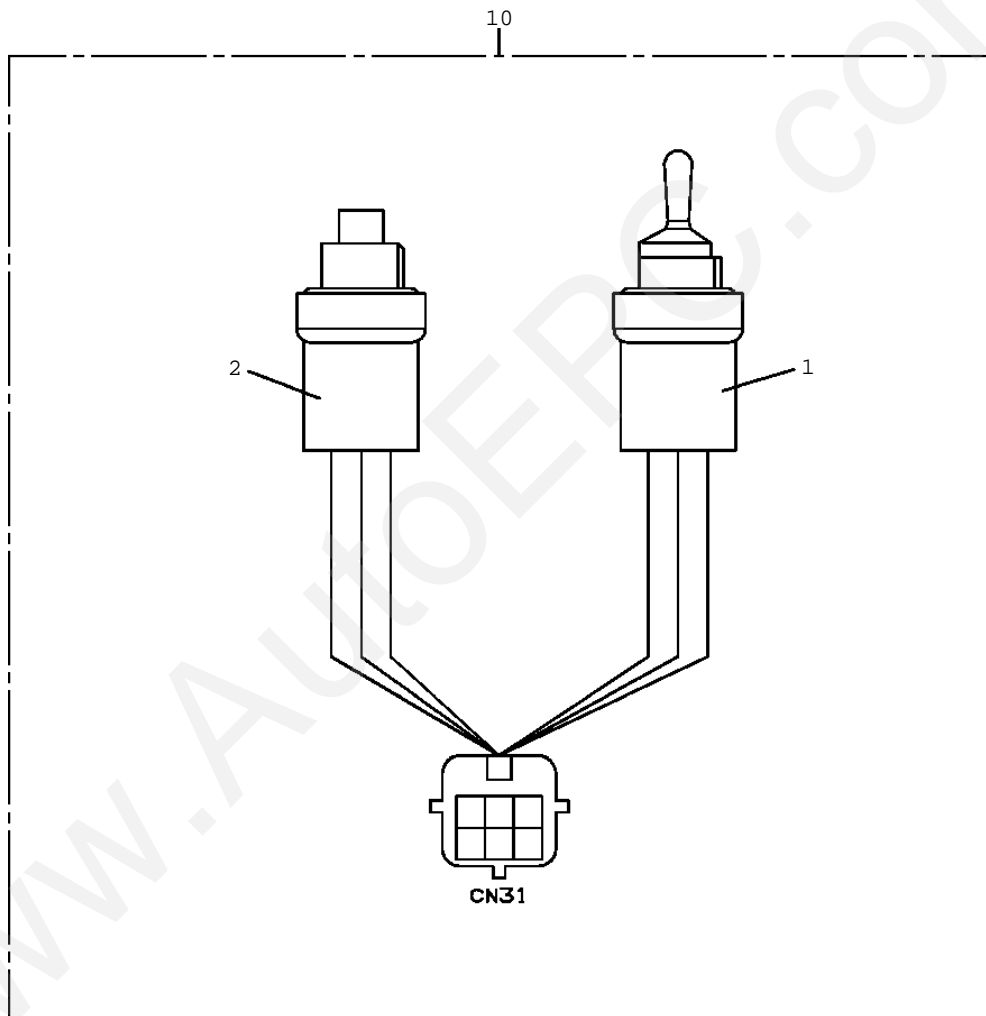


**TM-ZR360 41102310070A FRAME/SL,MANUAL,HOOK-IN**

Pos No.	Parts No	Parts Name	Qty	Unit	Technical Data	Serial No
1	82101429241	SWITCH,PUSH (GREEN)	3			
10	31653223300	SWITCH ASSY (GREEN:PANASONIC)	1			

www.AutoEPC.com

TM-ZR360 41102310070A FRAME/SL, MANUAL, HOOK-IN  
PN1140234-00 SWITCH ASSY (PLATING:NACC)

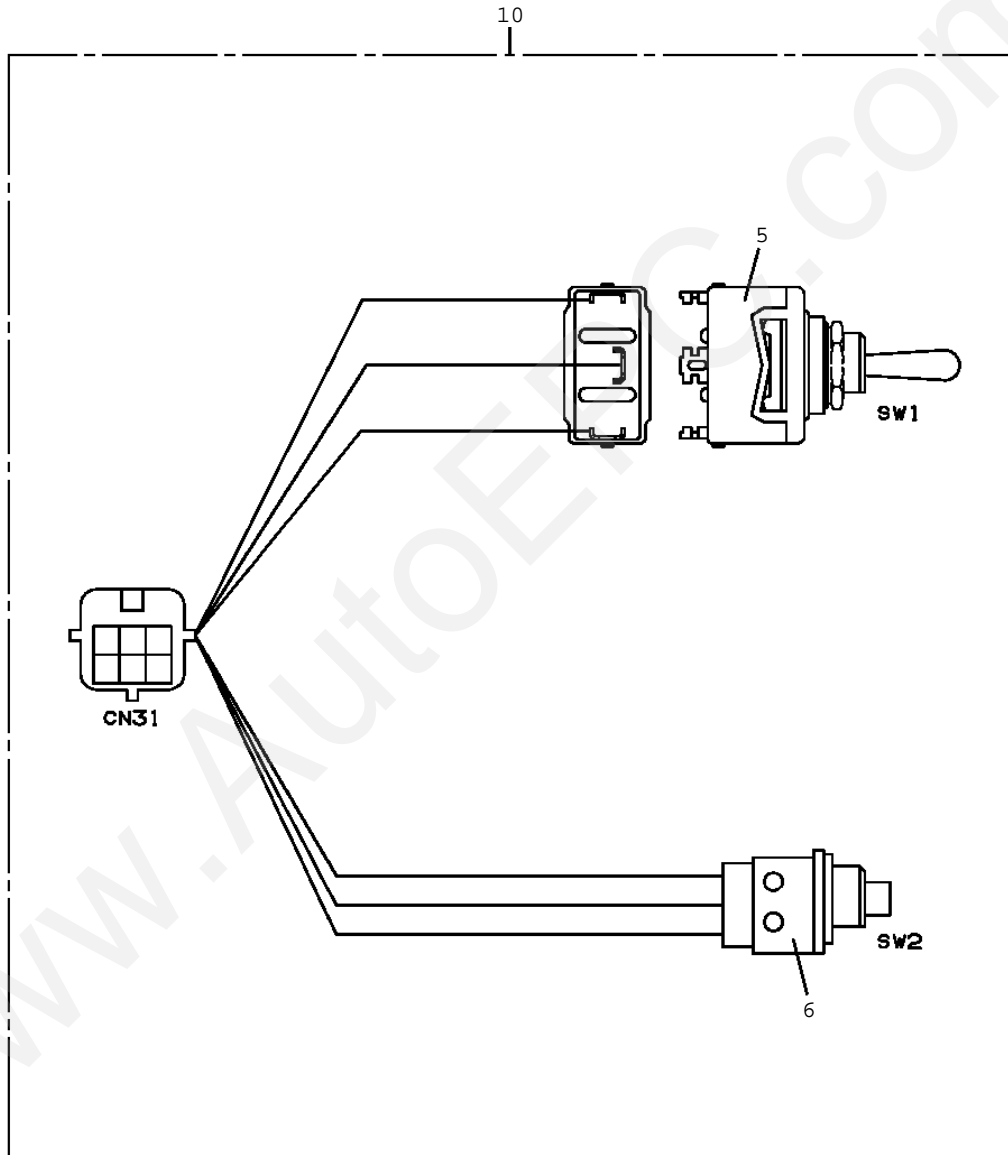


**TM-ZR360 41102310070A FRAME/SL,MANUAL,HOOK-IN**

Pos No.	Parts No	Parts Name	Qty	Unit	Technical Data	Serial No (
1	82105501002	SWITCH,TOGGLE (PLATING)	1		NACC 3TJW106G	
2	82101940120	SWITCH,PUSH (PLATING)	1		3PJW106F-021-AB	
10	31653741200	SWITCH ASSY (PLATING:NACC)	1			

www.AutoEPC.com

TM-ZR360 41102310070A FRAME/SL, MANUAL, HOOK-IN  
PN1140235-00 SWITCH ASSY (GREEN: PANASONIC)

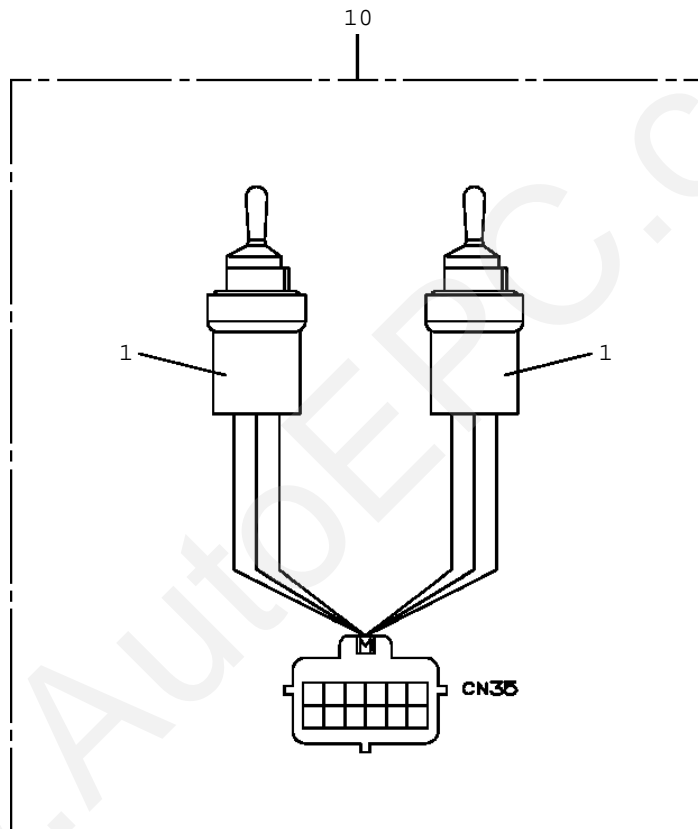


**TM-ZR360 41102310070A FRAME/SL,MANUAL,HOOK-IN**

Pos No.	Parts No	Parts Name	Qty	Unit	Technical Data	Serial No
5	82105411140	SWITCH,TOGGLE	1			
6	82101429239	SWITCH,PUSH (GREEN)	1			
10	31653741600	SWITCH ASSY (GREEN:PANASONIC)	1			

www.AutoEPC.com

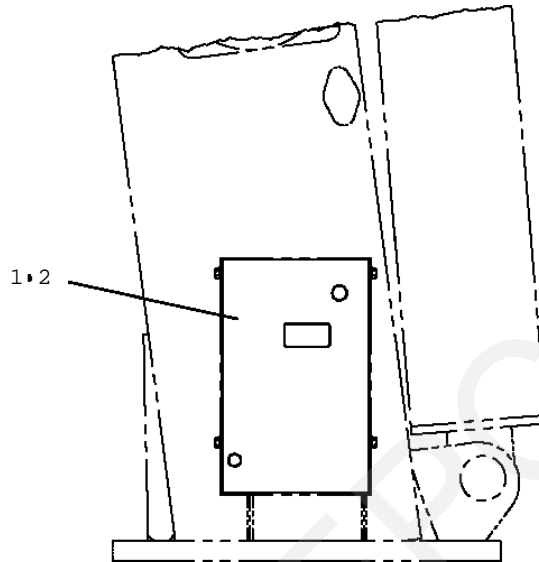
TM-ZR360 41102310070A FRAME/SL, MANUAL, HOOK-IN  
PN1140239-00 SWITCH ASSY (WITH HARNESS, 2-SW)



**TM-ZR360 41102310070A FRAME/SL,MANUAL,HOOK-IN**

Pos No.	Parts No	Parts Name	Qty	Unit	Technical Data	Serial
1	82105501003	SWITCH	2			
10	31653322200	SWITCH ASSY (WITH HARNESS,2-SW)	1			

www.AutoEPC.com



1

高さ制限

**AUTOMATIC WORKING AREA LIMITER**

---

高さ制限値  m

---

**▲ 警告**

- ・制限値を大きくする、調整をしないでください。
- ・クレーンが最大荷重、吊钩が最大吊钩容量 (FA) 以上で稼働しない。
- ・制限値を小さくする、吊钩が最大吊钩容量 (FA) 以上で稼働しない。
- ・制限値を小さくする、吊钩が最大吊钩容量 (FA) 以上で稼働しない。
- ・クレーンが最大荷重、吊钩が最大吊钩容量 (FA) 以上で稼働しない。
- ・クレーンが最大荷重、吊钩が最大吊钩容量 (FA) 以上で稼働しない。

**AWL 作業開始前点検**

1. フォークリフトが最大荷重、クレーンが最大吊钩容量 (FA) 以上で稼働しないことを確認し、クレーンが最大吊钩容量 (FA) 以上で稼働しないことを確認する。  
 ・確認済 (確認済) (001)
2. 制限値でクレーンが稼働していることを確認し、クレーンが最大吊钩容量 (FA) 以上で稼働しないことを確認する。  
 ・確認済 (確認済) (002)
3. クレーンが最大吊钩容量 (FA) 以上で稼働しないことを確認する。  
 ・確認済 (確認済) (003)
4. 制限値でクレーンが稼働していることを確認する。  
 ・AWL の確認済 (004)

B. 確認済

AWL

2

高さ制限

**AUTOMATIC WORKING AREA LIMITER**

---

高さ制限値  m

---

**▲ 警告**

- ・制限値を大きくする、調整をしないでください。
- ・クレーンが最大荷重、吊钩が最大吊钩容量 (FA) 以上で稼働しない。
- ・制限値を小さくする、吊钩が最大吊钩容量 (FA) 以上で稼働しない。
- ・制限値を小さくする、吊钩が最大吊钩容量 (FA) 以上で稼働しない。
- ・クレーンが最大荷重、吊钩が最大吊钩容量 (FA) 以上で稼働しない。
- ・クレーンが最大荷重、吊钩が最大吊钩容量 (FA) 以上で稼働しない。

**AWL 作業開始前点検**

1. PTOE (RUL) EL, P-AUTUMON 確認する。  
 ・確認済 (確認済) (001)
2. フォークリフトが最大荷重、クレーンが最大吊钩容量 (FA) 以上で稼働しないことを確認し、クレーンが最大吊钩容量 (FA) 以上で稼働しないことを確認する。  
 ・確認済 (確認済) (002)
3. 制限値でクレーンが稼働していることを確認する。  
 ・AWL の確認済 (003)
4. 確認済

AWL

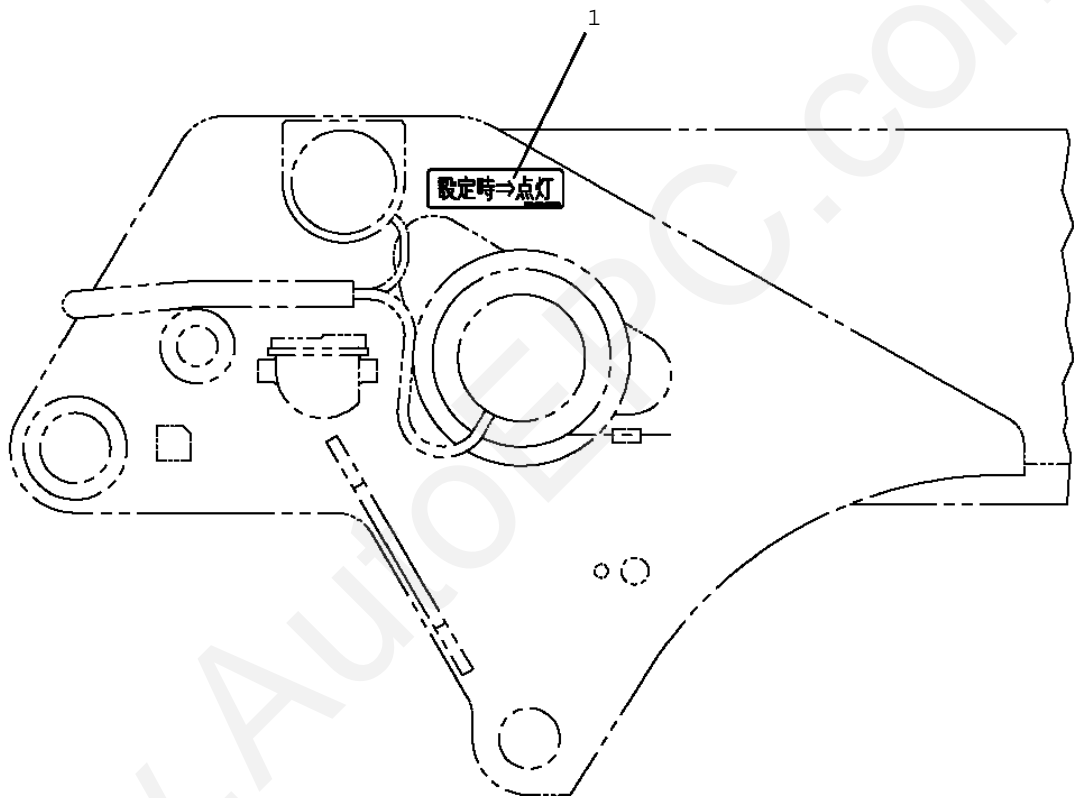


**TM-ZR360 41102310070A FRAME/SL,MANUAL,HOOK-IN**

Pos No.	Parts No	Parts Name	Qty	Unit	Technical Data	Serial No (Start)	Serial
1	31502232100	PLATE,CAUTION	1				
2	31502232200	PLATE,CAUTION	1				

www.AutoEPC.com

TM-ZR360 41102310070A FRAME/SL, MANUAL, HOOK-IN  
PN5010239-00 NAME PLATE ASSY



**TM-ZR360 41102310070A FRAME/SL,MANUAL,HOOK-IN**

Pos No.	Parts No	Parts Name	Qty	Unit	Technical Data	Serial No (Start)	Serial No
1	37002230910	PLATE,NAME	2				

www.AutoEPC.com

TM-ZR360 41102310070A FRAME/SL,MANUAL,HOOK-IN  
PO1000151-00 INDICATION PLATES

メイバン  
INDICATION PLATES

【組立名称一覧】より選択してください。

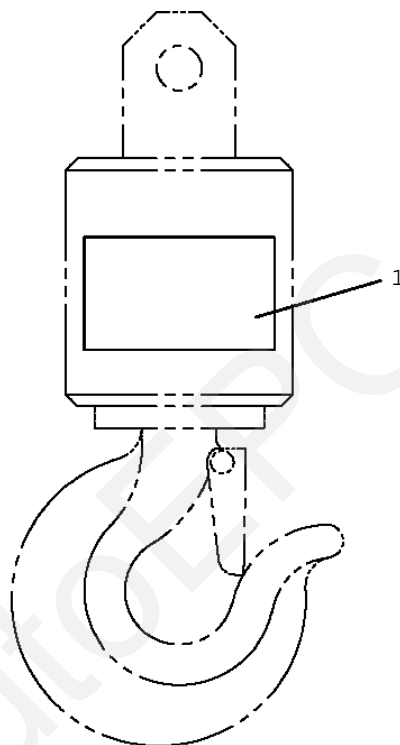
SEE THE CORRESPONDING "ASSEMBLY NAME" LIST.

**TM-ZR360 41102310070A FRAME/SL,MANUAL,HOOK-IN**

Pos No.	Parts No	Parts Name	Qty	Unit	Technical Data	Serial N
1	(***** )	PLATE ASSY,NAME	1			
2	(***** )	PLATE ASSY,NAME (G)	2			
3	(***** )	PERFORMANCE DATA (ZR363SL/B)	1			
	(***** )	PERFORMANCE DATA (ZR363SL/A)	1			
4	(***** )	PERFORMANCE DATA (ZR364SL/B)	1			
	(***** )	PERFORMANCE DATA (ZR364SL/A)	1			

www.AutoEPC.com

TM-ZR360 41102310070A FRAME/SL, MANUAL, HOOK-IN  
PO1012473-02 PLATE ASSY, NAME (HOOK)



1

つり上げ荷重 〇.49 t

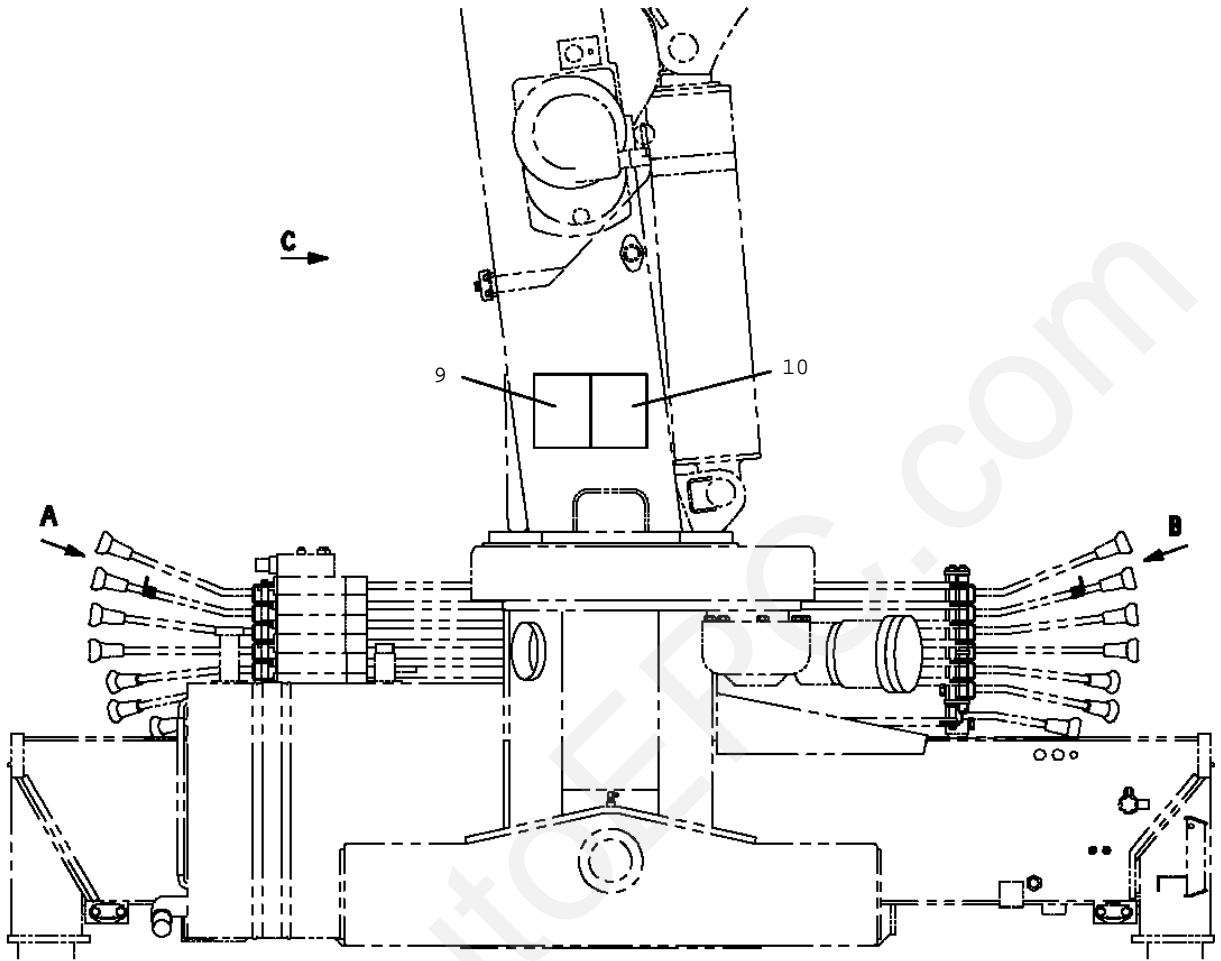
警告	● 1本吊り時の定額吊り荷重は、空車時定額吊り荷重に劣ります。 ただし〇.49tを超える場合は、〇.49tとします。空車時定額吊り荷重の値は、つり具設置（フック等組）を念じています。
	314-734-01100

**TM-ZR360 41102310070A FRAME/SL,MANUAL,HOOK-IN**

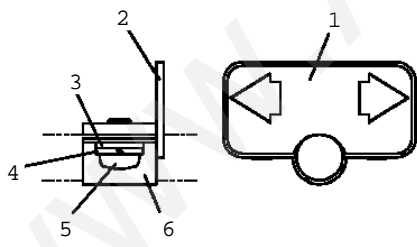
Pos No.	Parts No	Parts Name	Qty	Unit	Technical Data	Serial No (Start)	Serial
1	31473481100	PLATE,CAUTION	1				

www.AutoEPC.com

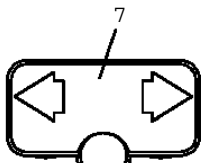
TM-ZR360 41102310070A FRAME/SL, MANUAL, HOOK-IN  
PO1013037-02 PLATE ASSY, NAME (DRUM FREE)



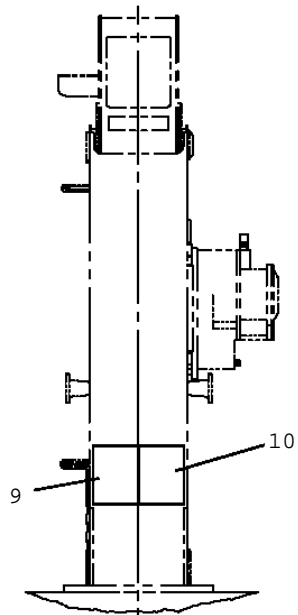
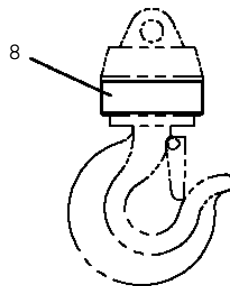
ZR300, 360, 500の場合



A



B



ZR260, 290の場合

C

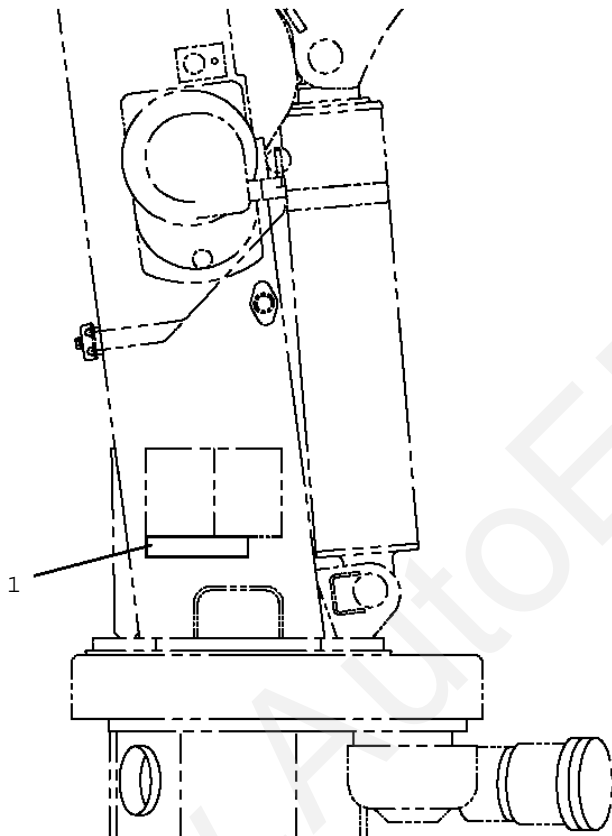


**TM-ZR360 41102310070A FRAME/SL,MANUAL,HOOK-IN**

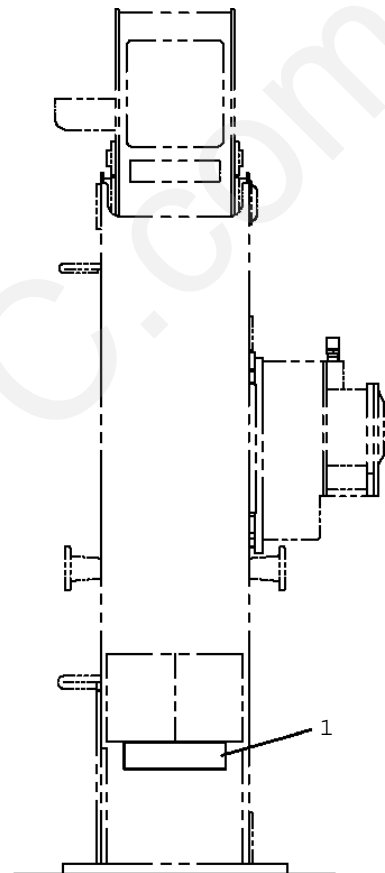
Pos No.	Parts No	Parts Name	Qty	Unit	Technical Data	Serial No (Star
1	31473745100	PLATE, NAME	1			
2	31473745400	SUPPORT	2			
3	90303070601	WASHER, PLAIN	4		6	
4	90302040601	WASHER, SPRING	4		6	
5	80182306008	SCREW, MACHINE	4		M6X8	
6	37000604590	CLAMP	2			
7	31473745200	PLATE, NAME	1			
8	31473745700	PLATE, CAUTION (0.49TON)	1			
9	31473745500	PLATE, CAUTION	1			
10	31473745600	PLATE, CAUTION	1			

www.AutoEPC.com

TM-ZR360 41102310070A FRAME/SL, MANUAL, HOOK-IN  
PO1013040-03 PLATE ASSY, NAME (1-PART LINE OPE.)




ZR300, 360, 500  
ZE300, 360, 500



ZR230, 260, 290  
ZE230, 260, 290

1

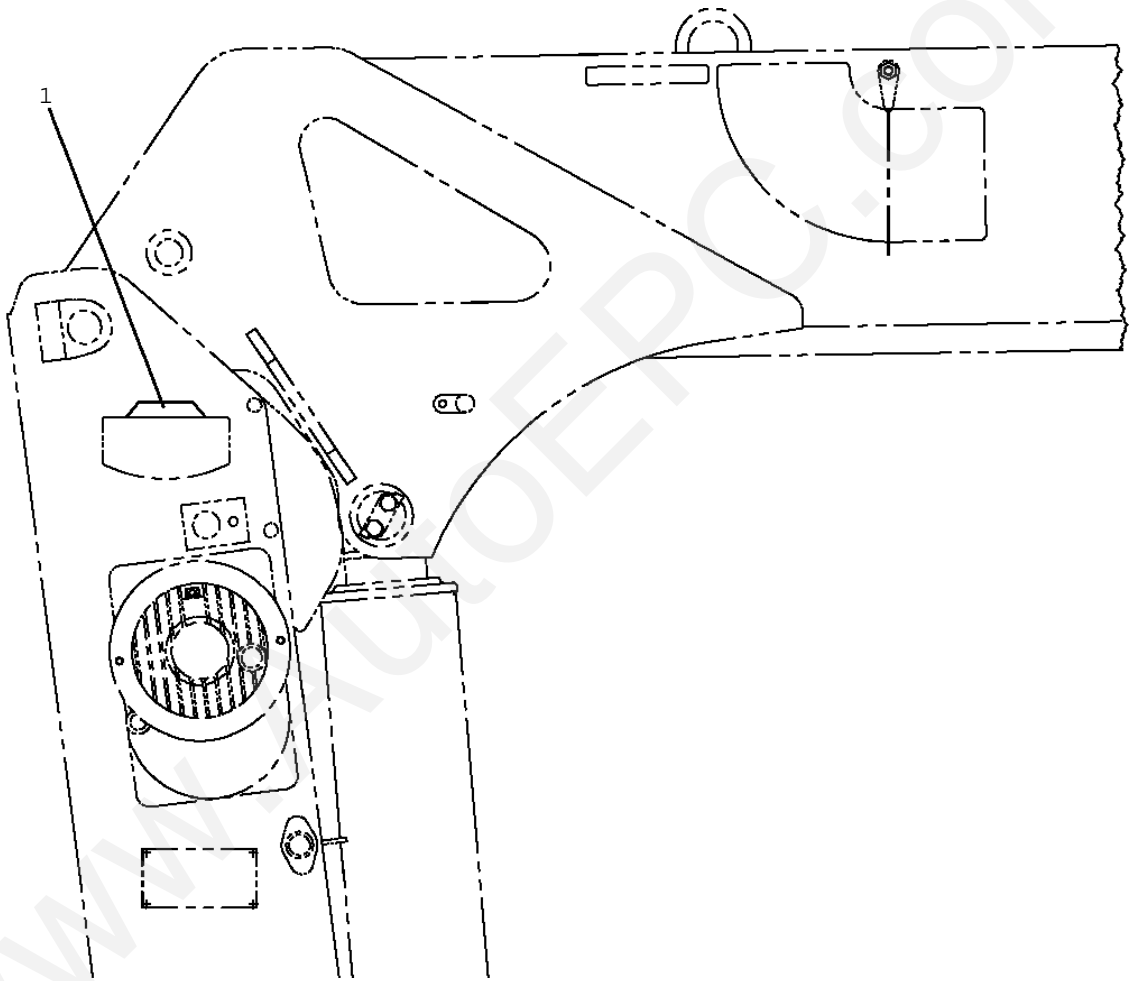
	<b>注 意</b> / ウィンチ操作について
● 車輪フック使用時のウィンチ操作は、安全のため 中速以下で行って下さい。	
314-771-05100	

**TM-ZR360 41102310070A FRAME/SL,MANUAL,HOOK-IN**

Pos No.	Parts No	Parts Name	Qty	Unit	Technical Data	Serial No (Start)	Serial
1	31477165100	PLATE,CAUTION	1				

www.AutoEPC.com

TM-ZR360 41102310070A FRAME/SL, MANUAL, HOOK-IN  
PO1013041-01 PLATE ASSY, NAME (G)

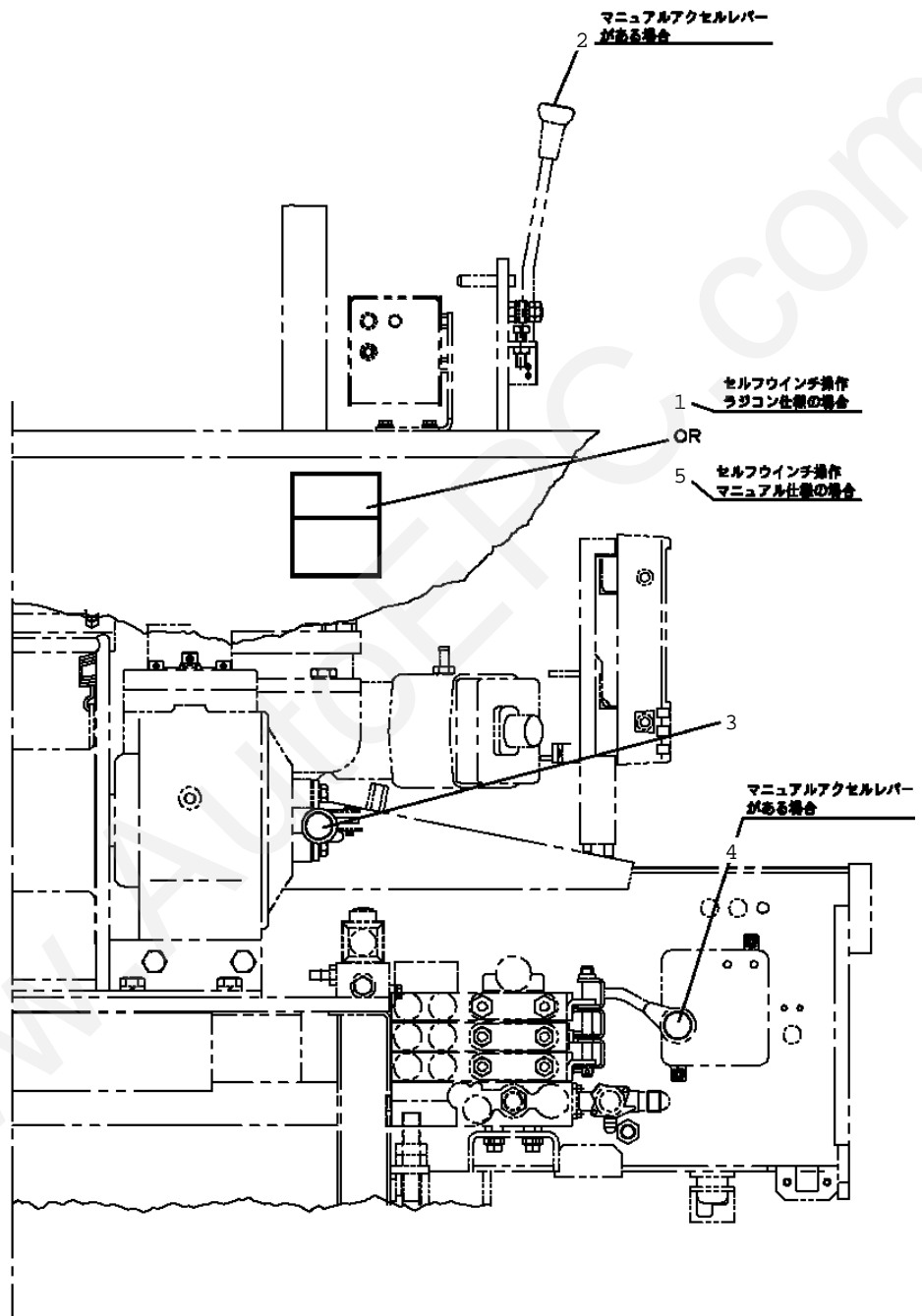


**TM-ZR360 41102310070A FRAME/SL,MANUAL,HOOK-IN**

Pos No.	Parts No	Parts Name	Qty	Unit	Technical Data	Serial No (Start)	Serial No (End)
1	37002221720	PLATE,NAME (G)	1				

www.AutoEPC.com

TM-ZR360 41102310070A FRAME/SL, MANUAL, HOOK-IN  
PO1013212-00 PLATE ASSY.NAME (ACC., CLUTCH, SL WINCH)

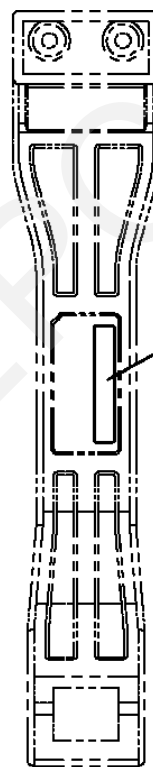
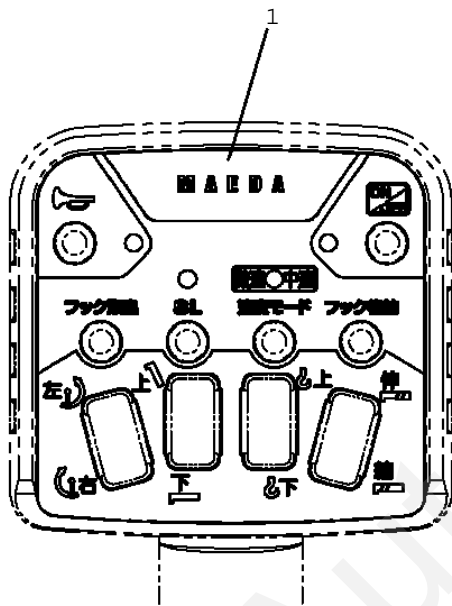


**TM-ZR360 41102310070A FRAME/SL,MANUAL,HOOK-IN**

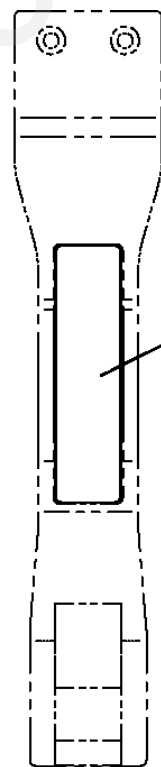
Pos No.	Parts No	Parts Name	Qty	Unit	Technical Data	Serial No (Start)	Serial
1	31478151100	PLATE, CAUTION	1				
2	37002221410	PLATE, NAME	1				
3	37002222850	PLATE, NAME	1				
4	37002221380	PLATE, NAME	1				
5	31394550200	PLATE, CAUTION	1				

www.AutoEPC.com

TM-ZR360 41102310070A FRAME/SL, MANUAL, HOOK-IN  
PO1014307-00 PLATE ASSY, NAME



ハンドガード内側



ハンドガード外側

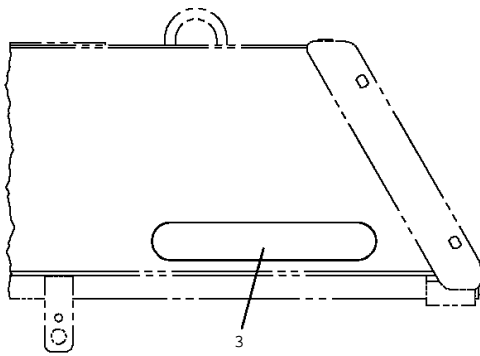


**TM-ZR360 41102310070A FRAME/SL,MANUAL,HOOK-IN**

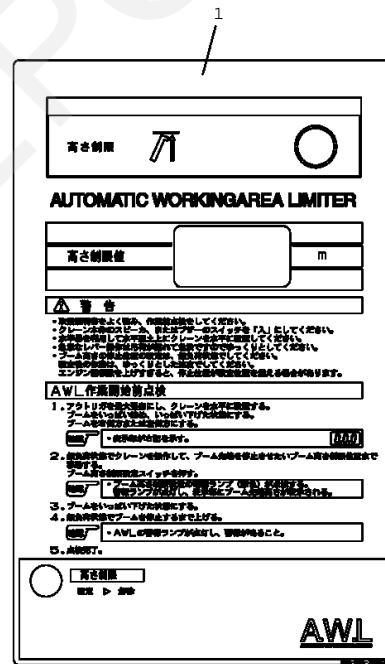
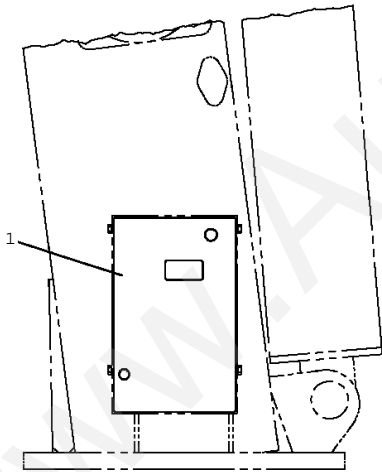
Pos No.	Parts No	Parts Name	Qty	Unit	Technical Data	Serial No (Start)	S
1	36805150110	PLATE,NAME	1				
2	36805150120	PLATE,NAME (MAEDA)	1				
3	36805090130	PLATE,NAME	1				

www.AutoEPC.com

TM-ZR360 41102310070A FRAME/SL, MANUAL, HOOK-IN  
 PO1014437-01 PLATE ASSY, NAME (UPPER)



高さ制限装置付

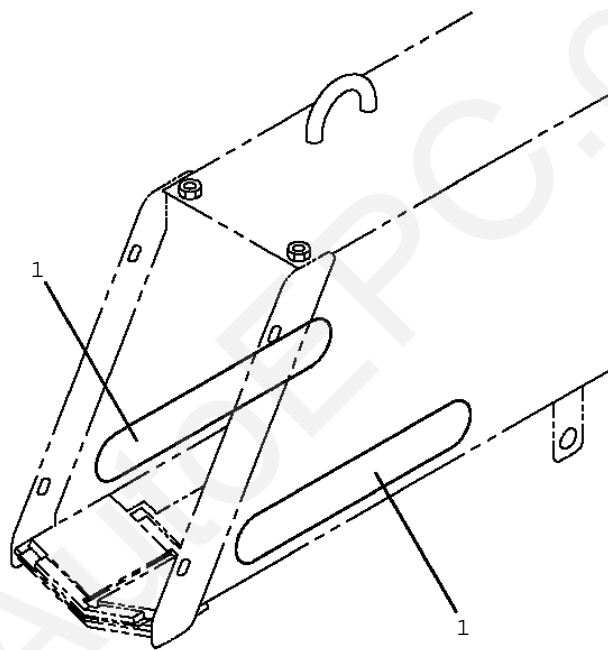


**TM-ZR360 41102310070A FRAME/SL,MANUAL,HOOK-IN**

Pos No.	Parts No	Parts Name	Qty	Unit	Technical Data	Serial No (Start)
1	31500512100	PLATE,CAUTION (AWL)	1			
3	31361473100	PLATE,NAME	2			

www.AutoEPC.com

TM-ZR360 41102310070A FRAME/SL, MANUAL, HOOK-IN  
PO1014584-01 PLATE ASSY, NAME (BOOM, ELEV. STOWING FAILURE)



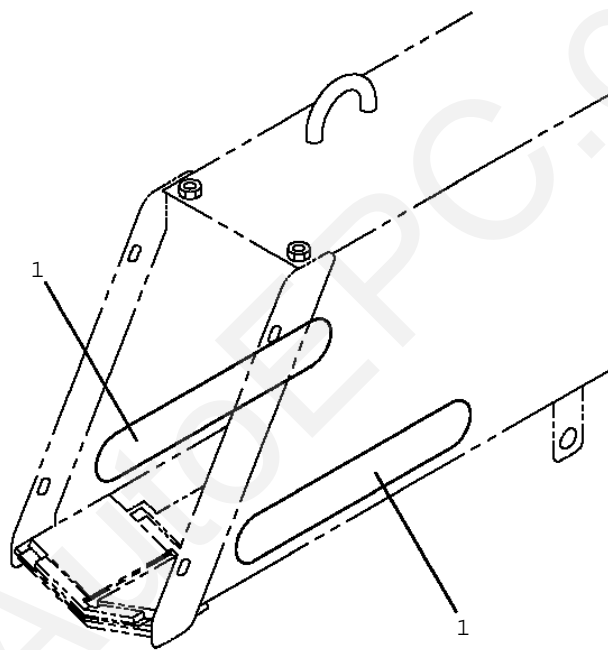
1  
ブーム格納忘れ警報装置付

**TM-ZR360 41102310070A FRAME/SL,MANUAL,HOOK-IN**

Pos No.	Parts No	Parts Name	Qty	Unit	Technical Data	Serial No (Start)	Serial No
1	31477441100	PLATE,NAME	2				

www.AutoEPC.com

TM-ZR360 41102310070A FRAME/SL, MANUAL, HOOK-IN  
PO1014592-01 PLATE ASSY, NAME



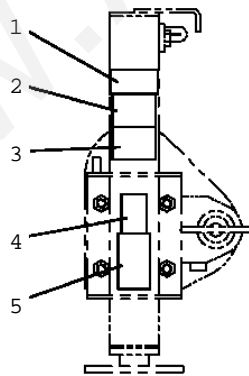
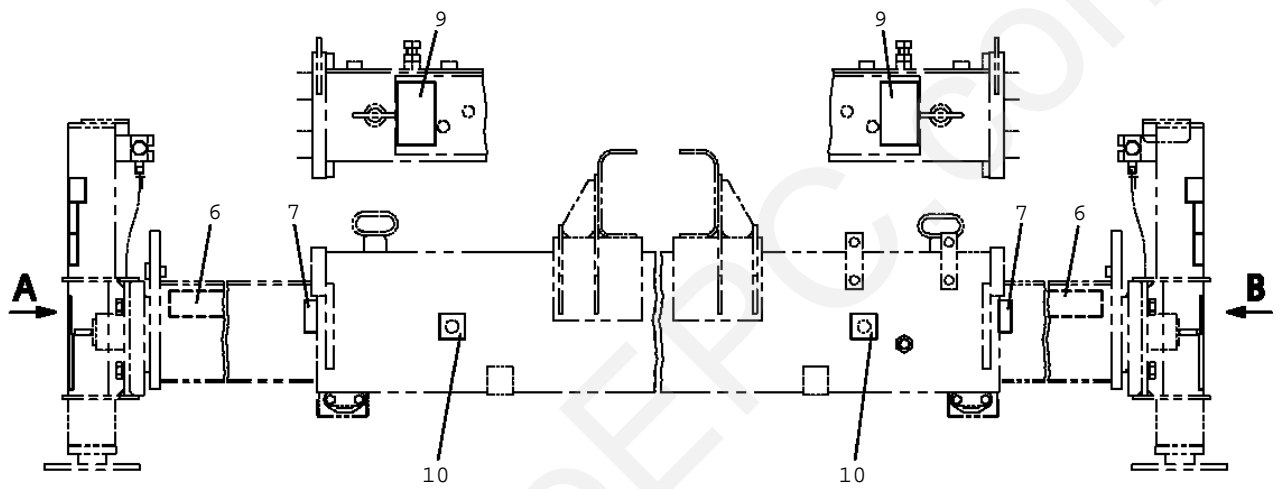
1  
アーム・アウトリガ格納忘れ警報装置付

**TM-ZR360 41102310070A FRAME/SL,MANUAL,HOOK-IN**

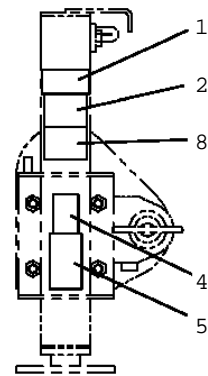
Pos No.	Parts No	Parts Name	Qty	Unit	Technical Data	Serial No (Start)	Serial No
1	31477333100	PLATE,NAME	2				

www.AutoEPC.com

TM-ZR360 41102310070A FRAME/SL, MANUAL, HOOK-IN  
PO1014635-00 PLATE ASSY, NAME



**A**



**B**

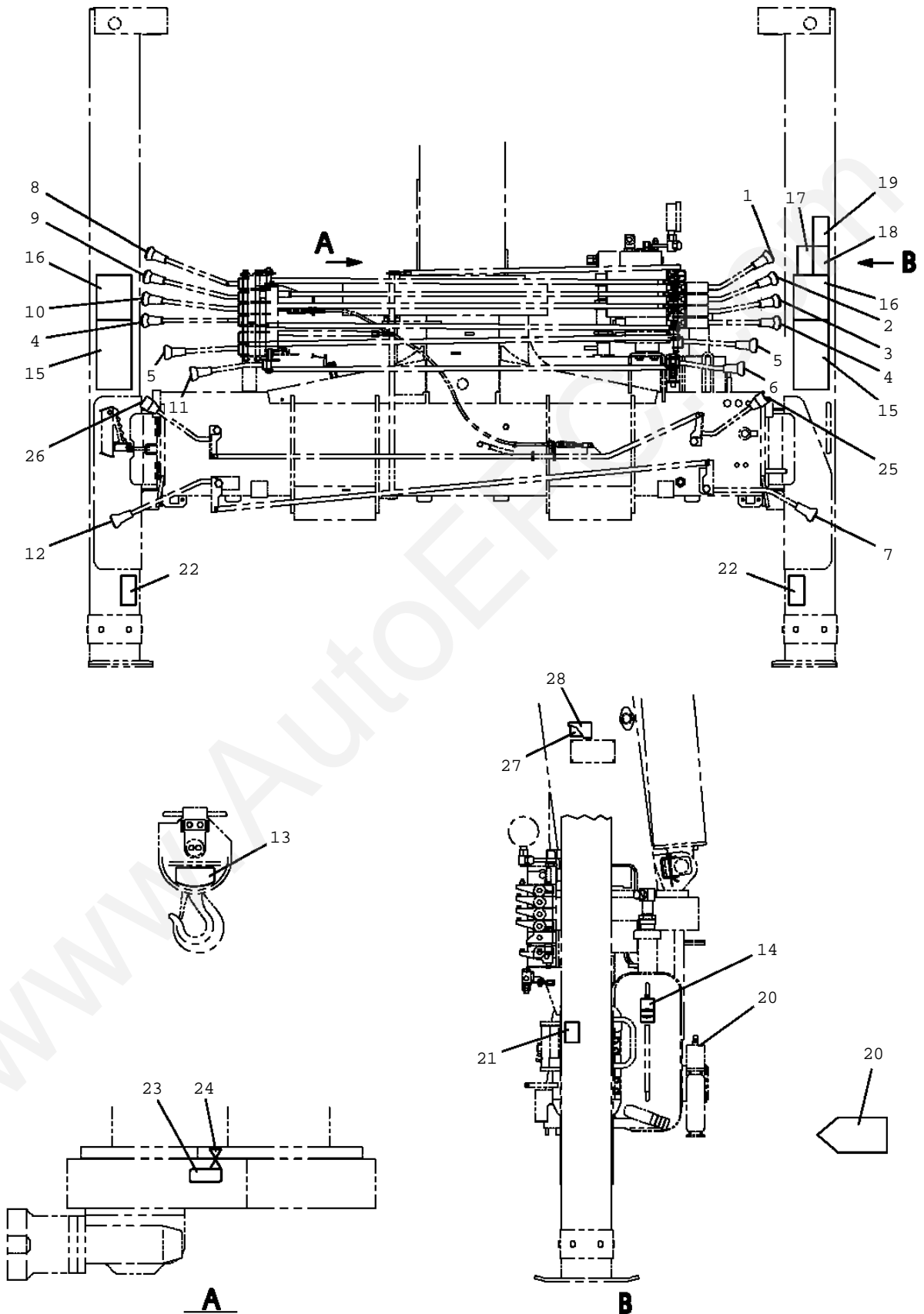


**TM-ZR360 41102310070A FRAME/SL,MANUAL,HOOK-IN**

Pos No.	Parts No	Parts Name	Qty	Unit	Technical Data	Serial No (Start)
1	31394490500	PLATE,CAUTION	2			
2	31611823200	PLATE,CAUTION	2			
3	31394500100	PLATE,CAUTION	1			
4	31395220250	PLATE,CAUTION	2			
5	37002220430	PLATE,CAUTION	2			
6	31393180100	REFLECTOR (RED)	2			
7	31611300500	PLATE,NAME (WHITE)	4			
8	31394500200	PLATE,CAUTION	1			
9	37002226500	PLATE,CAUTION	2			
10	37002213970	PLATE,NAME (MARKING)	2			

www.AutoEPC.com

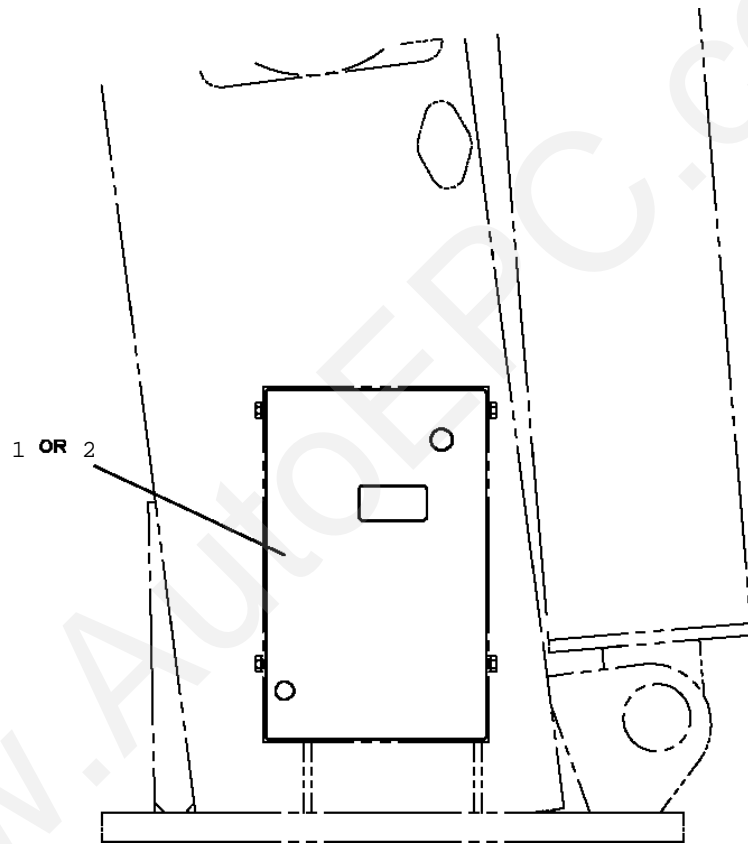
TM-ZR360 41102310070A FRAME/SL, MANUAL, HOOK-IN  
PO1014739-00 PLATE ASSY, NAME



**TM-ZR360 41102310070A FRAME/SL,MANUAL,HOOK-IN**

Pos No.	Parts No	Parts Name	Qty	Unit	Technical Data	Serial No (Start)
1	37002220460	PLATE,NAME	1			
2	37002220470	PLATE,NAME	1			
3	37002220480	PLATE,NAME	1			
4	37002220490	PLATE,NAME	2			
5	37002220590	PLATE,NAME	1			
6	37002220520	PLATE,NAME	1			
7	37002220600	PLATE,NAME	1			
8	37002220530	PLATE,NAME	1			
9	37002220540	PLATE,NAME	1			
10	37002220550	PLATE,NAME	1			
11	37002220580	PLATE,NAME	1			
12	37002220610	PLATE,NAME	1			
13	37002221010	PLATE,NAME (2.93TON)	2			
14	31492200210	PLATE,NAME	1			
15	31395040210	PLATE,CAUTION	2			
16	31395220230	PLATE,CAUTION	2			
17	37002220410	PLATE,CAUTION	1			
18	37002220420	PLATE,CAUTION	1			
19	37002220440	PLATE,CAUTION	1			
20	37002206490	PLATE,NAME (GREASE)	5			
21	31395220250	PLATE,CAUTION	2			
22	37002220430	PLATE,CAUTION	2			
23	37002220450	PLATE,NAME	1			
24	37002200320	PLATE,NAME	1			
25	37002220620	PLATE,NAME	1			
26	37002220820	PLATE,NAME	1			
27	37002224400	PLATE,NAME	1			
28	37002224440	PLATE,NAME	1			

TM-ZR360 41102310070A FRAME/SL, MANUAL, HOOK-IN  
PO1014748-00 PLATE ASSY, NAME (FOR FIXING AWL)

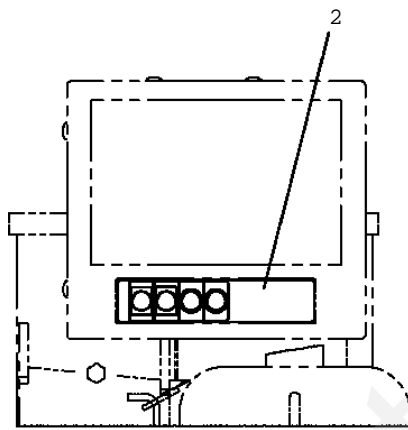


**TM-ZR360 41102310070A FRAME/SL,MANUAL,HOOK-IN**

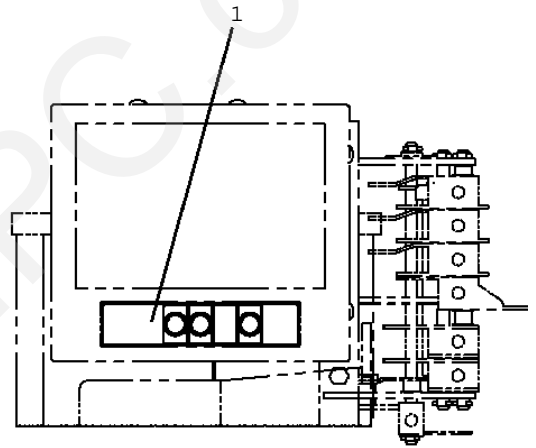
Pos No.	Parts No	Parts Name	Qty	Unit	Technical Data	Serial No (Star
1	31361841100	PLATE,CAUTION (FOR AWL)	1			
2	31361841200	PLATE,CAUTION (FOR BML)	1			

www.AutoEPC.com

TM-ZR360 41102310070A FRAME/SL, MANUAL, HOOK-IN  
PO1014749-00 PLATE ASSY, NAME (HOOK-IN/HOOK STOWING)



車輛左側



車輛右側

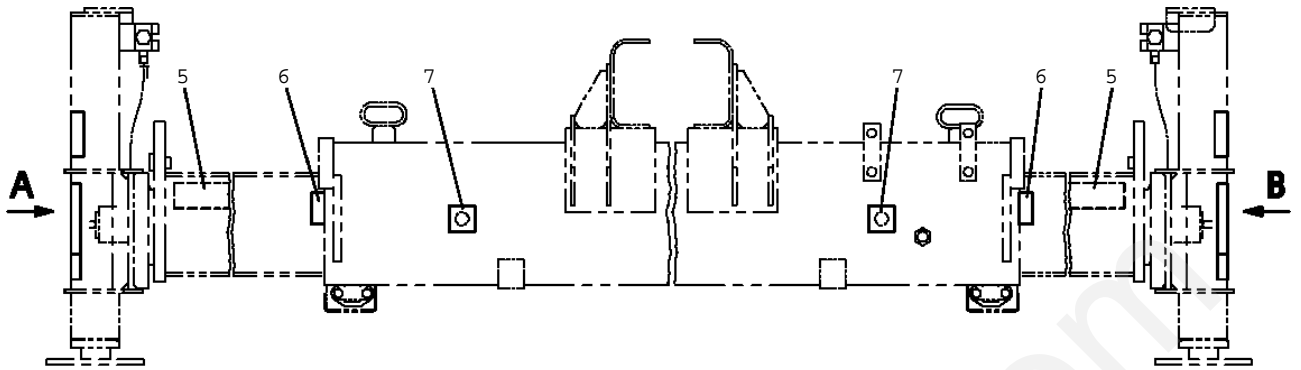
フックイン仕様

**TM-ZR360 41102310070A FRAME/SL,MANUAL,HOOK-IN**

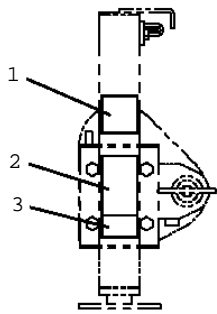
Pos No.	Parts No	Parts Name	Qty	Unit	Technical Data	Serial No (Start)	Serial No
1	31270380510	PLATE,NAME	1				
2	31270380110	PLATE,NAME	1				

www.AutoEPC.com

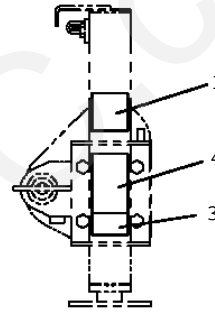
TM-ZR360 41102310070A FRAME/SL, MANUAL, HOOK-IN  
PO1015086-01 PLATE ASSY, NAME



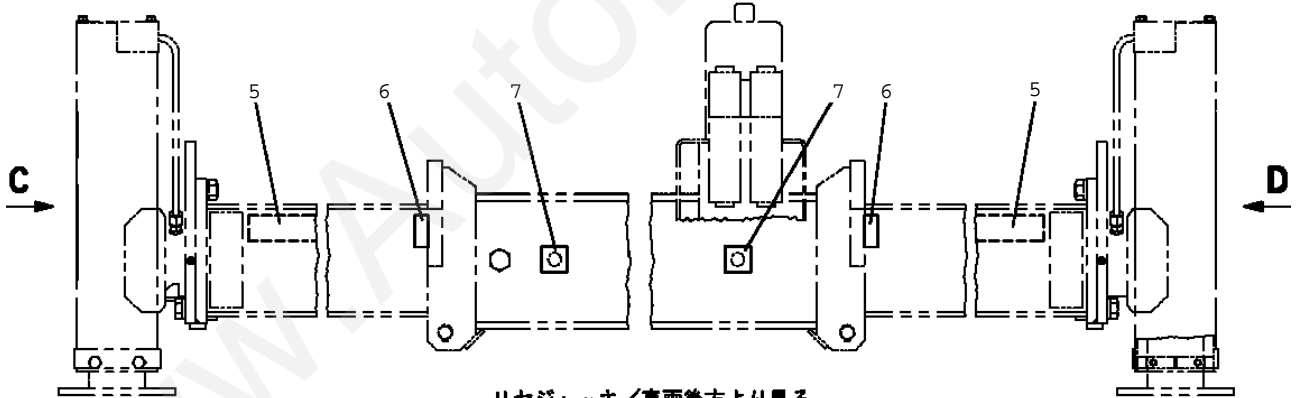
リヤジャッキ/車両後方より見る  
(ZE300, ZE360)



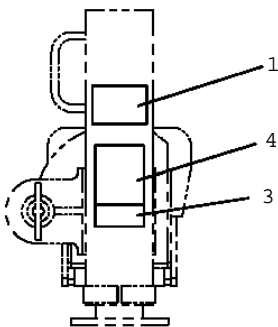
**A**



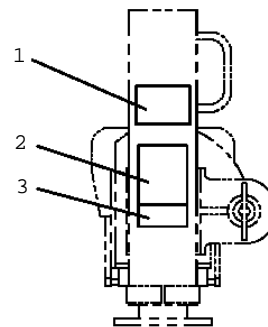
**B**



リヤジャッキ/車両後方より見る  
(ZE500)

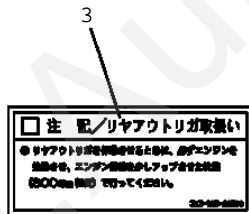
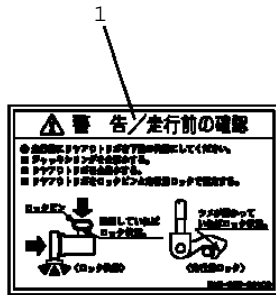


**C**



**D**



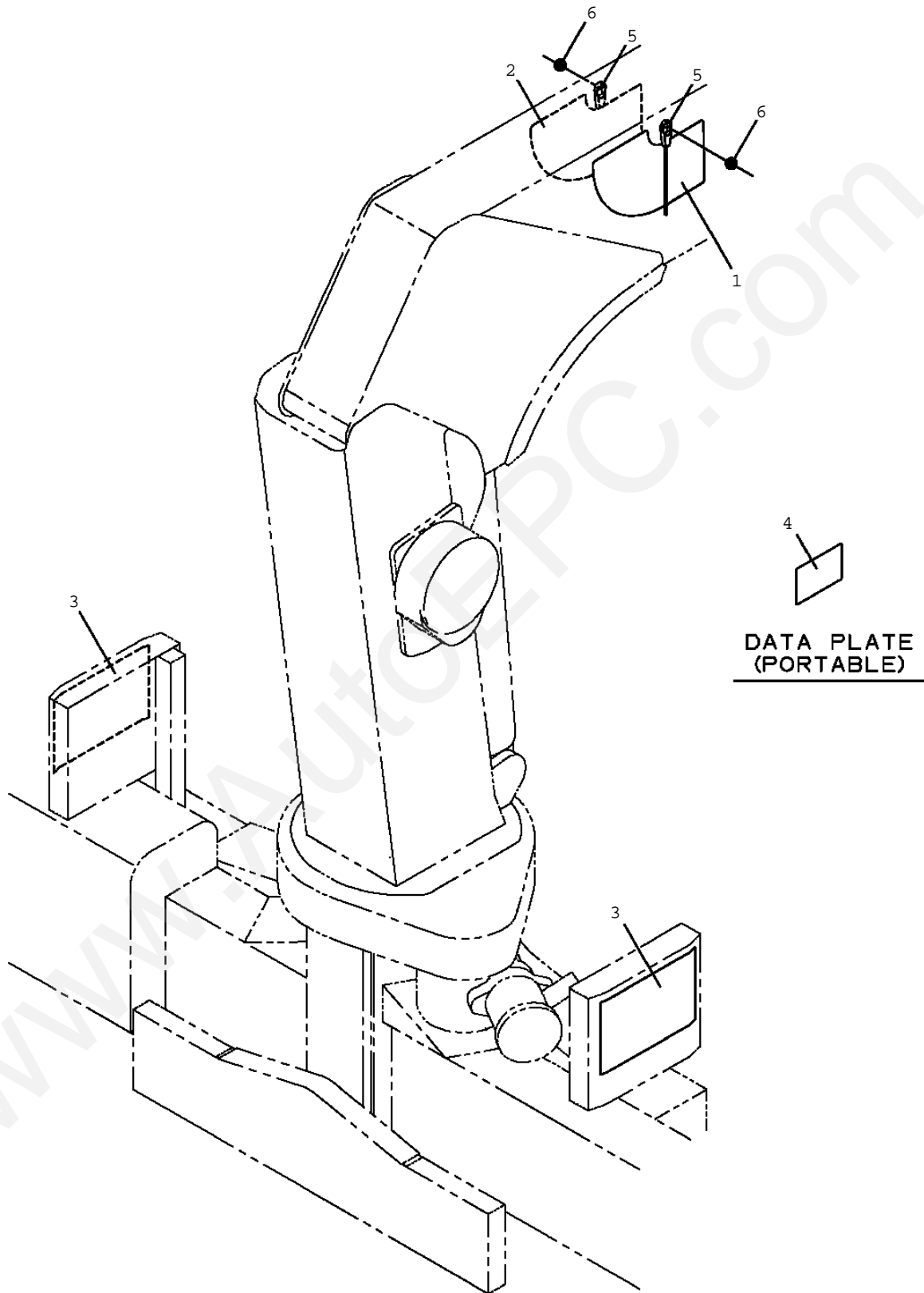


**TM-ZR360 41102310070A FRAME/SL,MANUAL,HOOK-IN**

Pos No.	Parts No	Parts Name	Qty	Unit	Technical Data	Serial No (Start)
1	31398320100	PLATE,CAUTION	2			
2	31398320200	PLATE,CAUTION	1			
3	31398320300	PLATE,CAUTION	2			
4	31398320400	PLATE,CAUTION	1			
5	31393180100	REFLECTOR (RED)	2			
6	31611300500	PLATE,NAME (WHITE)	4			
7	37002213970	PLATE,NAME (MARKING)	2			

www.AutoEPC.com

TM-ZR360 41102310070A FRAME/SL, MANUAL, HOOK-IN  
PO1070727-00 PERFORMANCE DATA (ZR363SL/A)

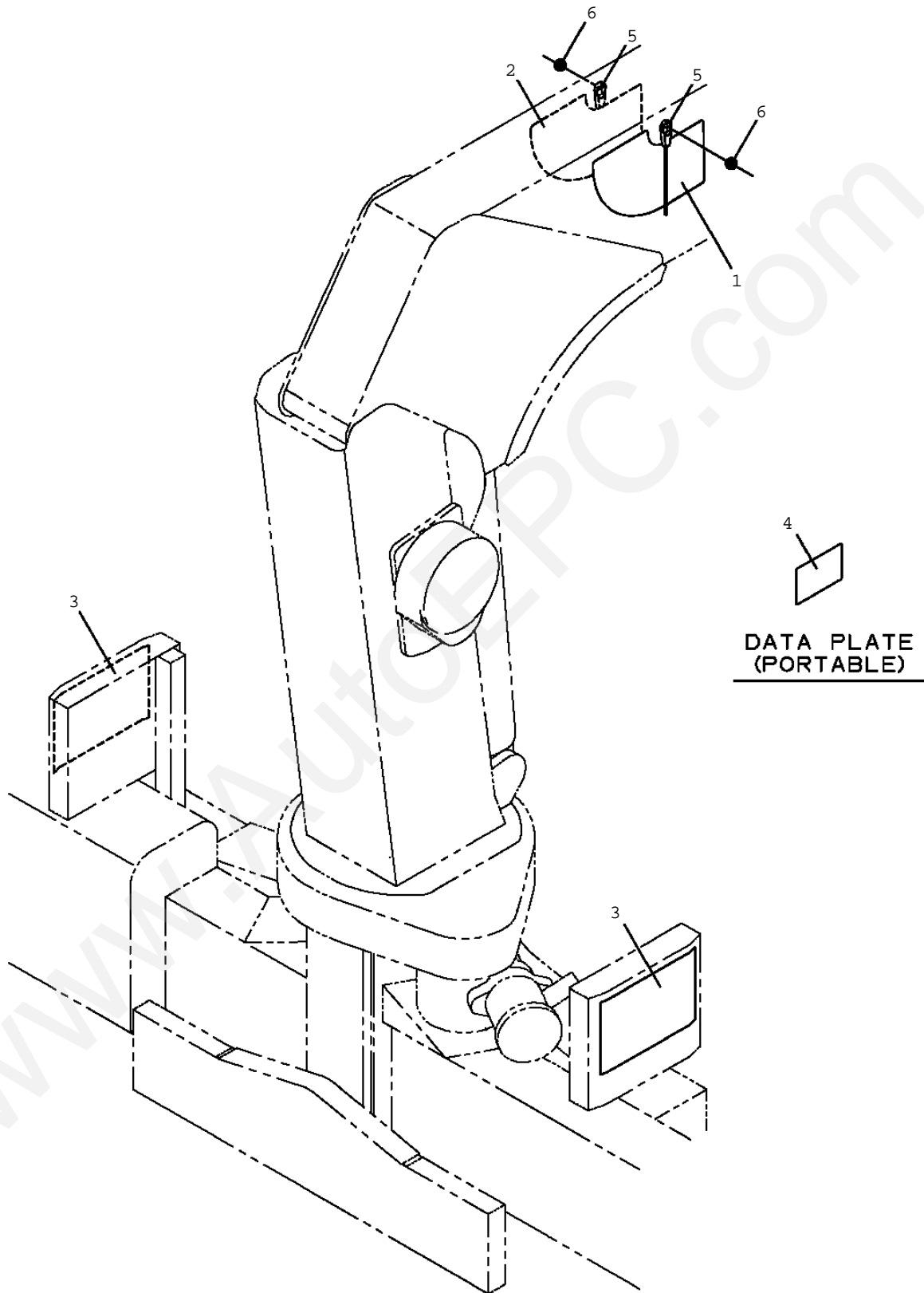


**TM-ZR360 41102310070A FRAME/SL, MANUAL, HOOK-IN**

Pos No.	Parts No	Parts Name	Qty	Unit	Technical Data	Serial No (Start)	Serial No
1	31490221100	PLATE, NAME	1				
2	31490221200	PLATE, NAME	1				
3	31495941300	PLATE, NAME	2				
4	31495941400	PLATE, NAME	1				
5	31392140130	INDICATOR	2				
6	90190000060	BOLT	2		M10X16		

www.AutoEPC.com

TM-ZR360 41102310070A FRAME/SL, MANUAL, HOOK-IN  
PO1070728-00 PERFORMANCE DATA (ZR363SL/B)

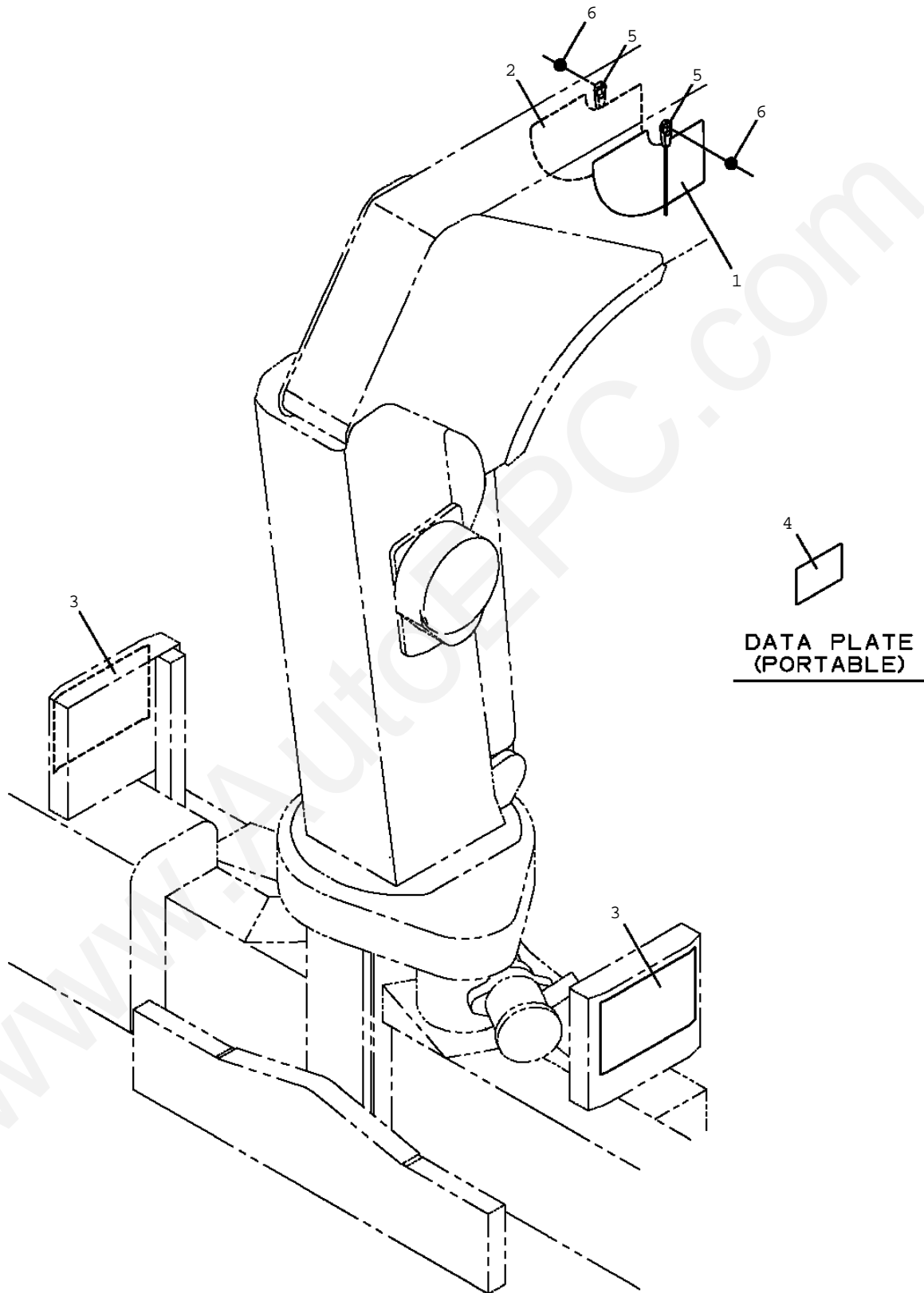


**TM-ZR360 41102310070A FRAME/SL, MANUAL, HOOK-IN**

Pos No.	Parts No	Parts Name	Qty	Unit	Technical Data	Serial No (Start)	Serial No
1	31490222100	PLATE, NAME	1				
2	31490222200	PLATE, NAME	1				
3	31495942300	PLATE, NAME	2				
4	31495942400	PLATE, NAME	1				
5	31392140130	INDICATOR	2				
6	90190000060	BOLT	2		M10X16		

www.AutoEPC.com

TM-ZR360 41102310070A FRAME/SL, MANUAL, HOOK-IN  
PO1070729-00 PERFORMANCE DATA (ZR364SL/A)



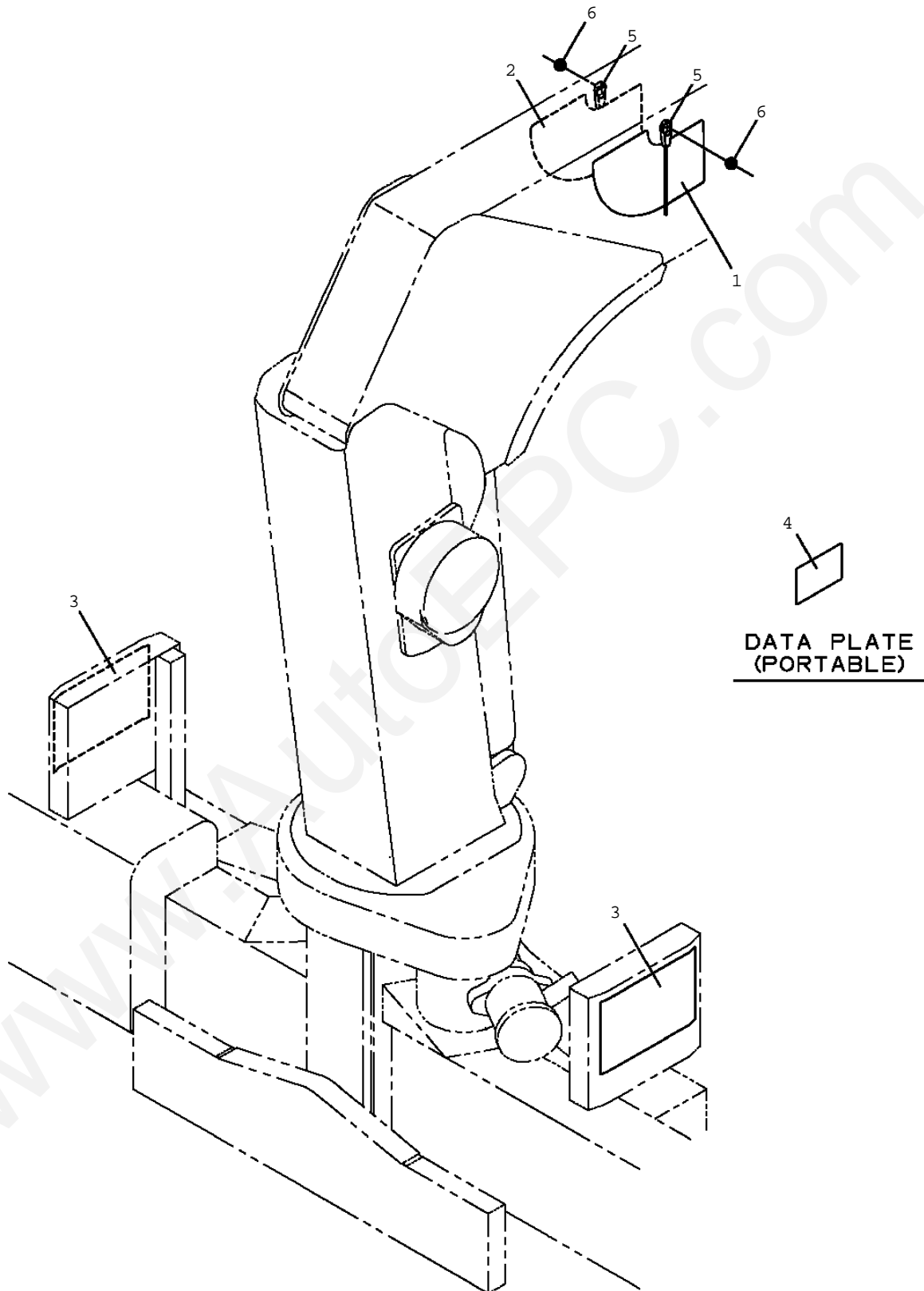
**TM-ZR360 41102310070A FRAME/SL, MANUAL, HOOK-IN**

Pos No.	Parts No	Parts Name	Qty	Unit	Technical Data	Serial No (Start)	Serial No
1	31490231100	PLATE, NAME	1				
2	31490231200	PLATE, NAME	1				
3	31495951300	PLATE, NAME	2				
4	31495951400	PLATE, NAME	1				
5	31392140130	INDICATOR	2				
6	90190000060	BOLT	2		M10X16		

www.AutoEPC.com



TM-ZR360 41102310070A FRAME/SL, MANUAL, HOOK-IN  
PO1070730-00 PERFORMANCE DATA (ZR364SL/B)



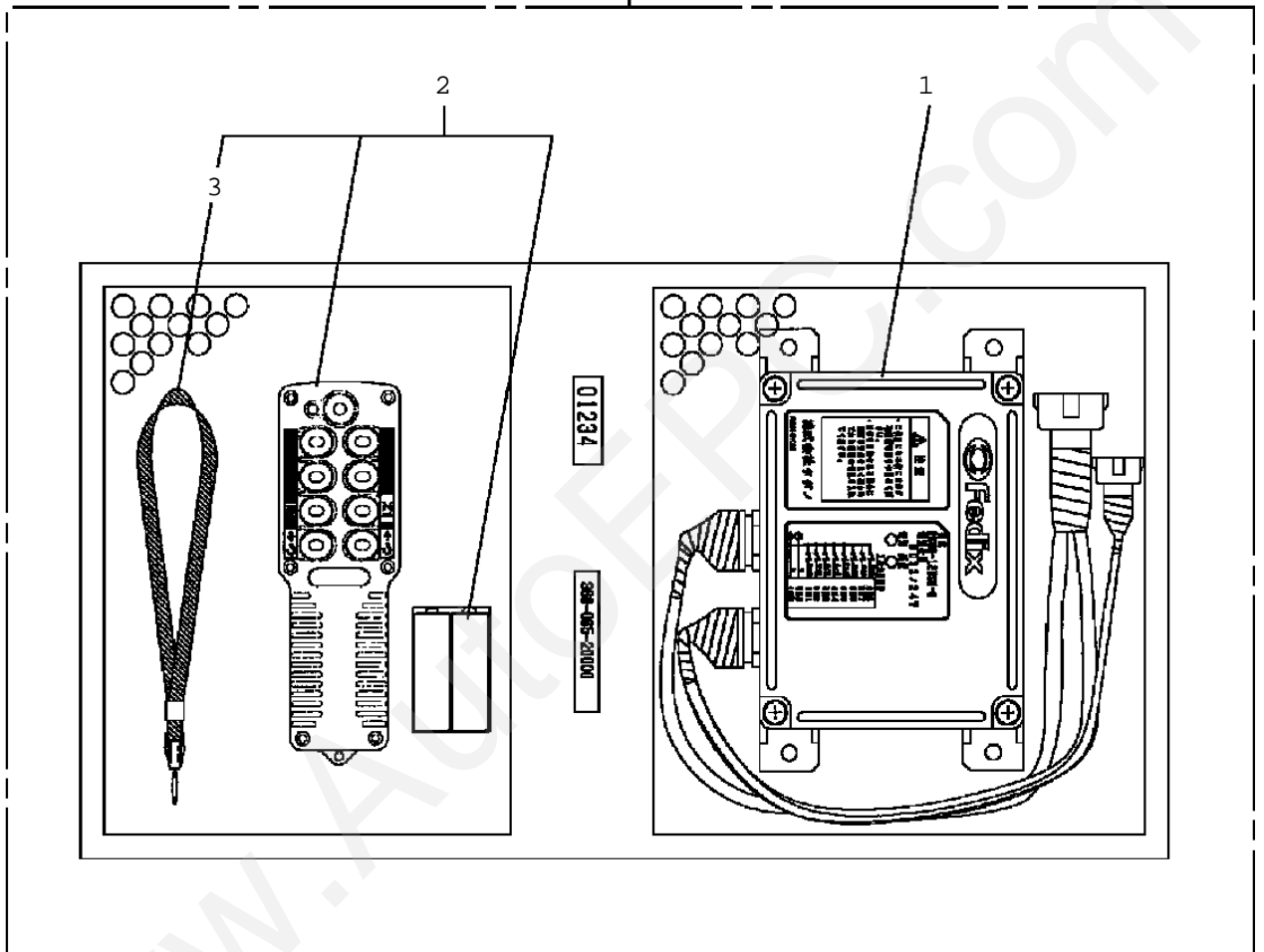
**TM-ZR360 41102310070A FRAME/SL, MANUAL, HOOK-IN**

Pos No.	Parts No	Parts Name	Qty	Unit	Technical Data	Serial No (Start)	Serial No
1	31490232100	PLATE, NAME	1				
2	31490232200	PLATE, NAME	1				
3	31495952300	PLATE, NAME	2				
4	31495952400	PLATE, NAME	1				
5	31392140130	INDICATOR	2				
6	90190000060	BOLT	2		M10X16		

www.AutoEPC.com

TM-ZR360 41102310070A FRAME/SL, MANUAL, HOOK-IN  
PP5150011-00 PARTS ASSY, RADIO CONTROLLER (8CH)

100



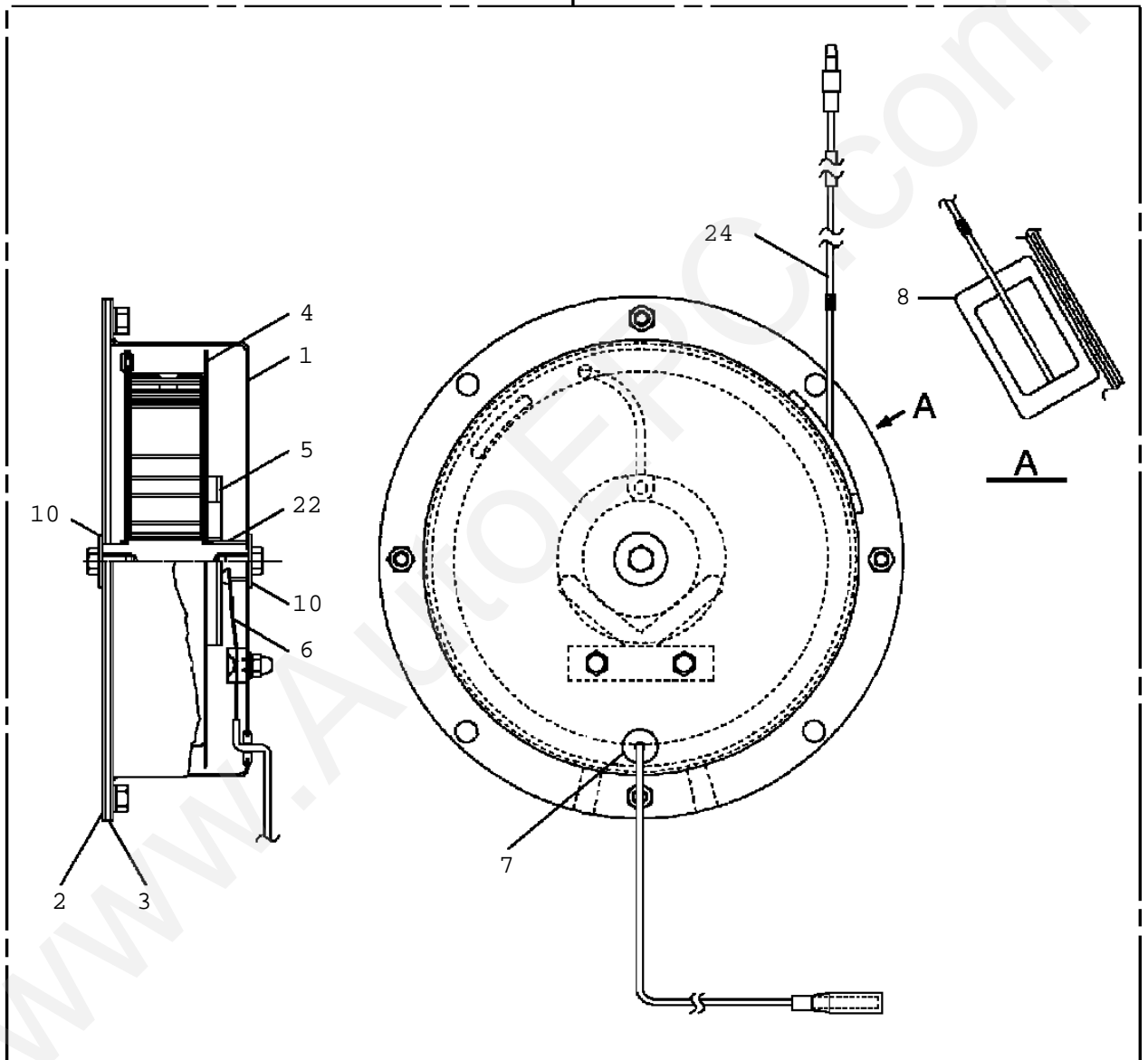
**TM-ZR360 41102310070A FRAME/SL,MANUAL,HOOK-IN**

Pos No.	Parts No	Parts Name	Qty	Unit	Technical Data	Serial
1	36806525010	CONTROL UNIT	1			
2	36806525020	BOX,OPERATION	1			
3	36804995010	STRAP	1			
100	36806520000	PARTS ASSY,RADIO CONTROLLER (8CH)	1			

www.AutoEPC.com

TM-ZR360 41102310070A FRAME/SL, MANUAL, HOOK-IN  
PR5050007-00 REEL ASSY, CORD

100

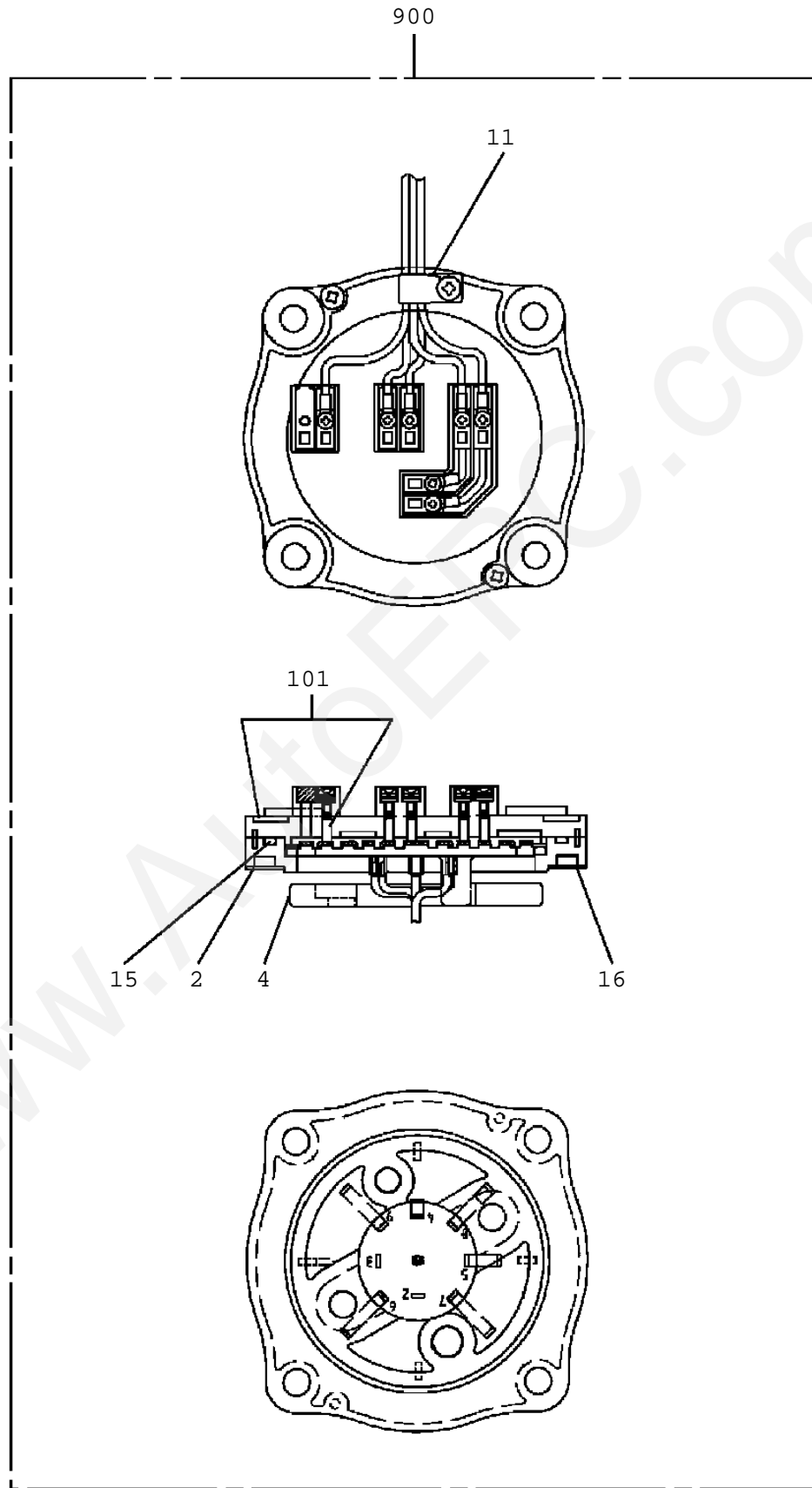


**TM-ZR360 41102310070A FRAME/SL,MANUAL,HOOK-IN**

Pos No.	Parts No	Parts Name	Qty	Unit	Technical Data	Serial No (Start)	Serial No (End)
1	36161705010	CASE	1				
2	36132015010	PLATE (BASE)	1				
3	36161705020	PACKING	1				
4	36161705030	SPRING ASSY	1				
5	32360005050	RING,SLIP	1				
6	32360005060	CONTACTOR ASSY	1				
7	31370005070	GROMMET	1				
8	31370005080	GUIDE (CORD)	1				
10	36160935030	WASHER	2				
22	36160325010	COLLAR	1				
24	36131745090	CORD	17	M			
100	36161700000	REEL ASSY, CORD	1				

www.AutoEPC.com

TM-ZR360 41102310070A FRAME/SL, MANUAL, HOOK-IN  
PR5130002-00 RING ASSY, SLIP



**TM-ZR360 41102310070A FRAME/SL,MANUAL,HOOK-IN**

Pos No.	Parts No	Parts Name	Qty	Unit	Technical Data	Serial N
2	31631807510	CASE (RING)	1			
4	31631807520	SPACER	1			
11	31631807530	CLAMP (CABLE)	1			
15	31631807540	O-RING	1			
16	31631807550	PACKING	1			
101	31631807560	HOLDER ASSY,BRUSH (WITH BRUSH)	1			
900	31631803000	RING ASSY,SLIP	1			

www.AutoEPC.com



TM-ZR360 41102310070A FRAME/SL,MANUAL,HOOK-IN  
PV1010092-00 REMOTE CONTROL (F,KIT/RCS-FC1)

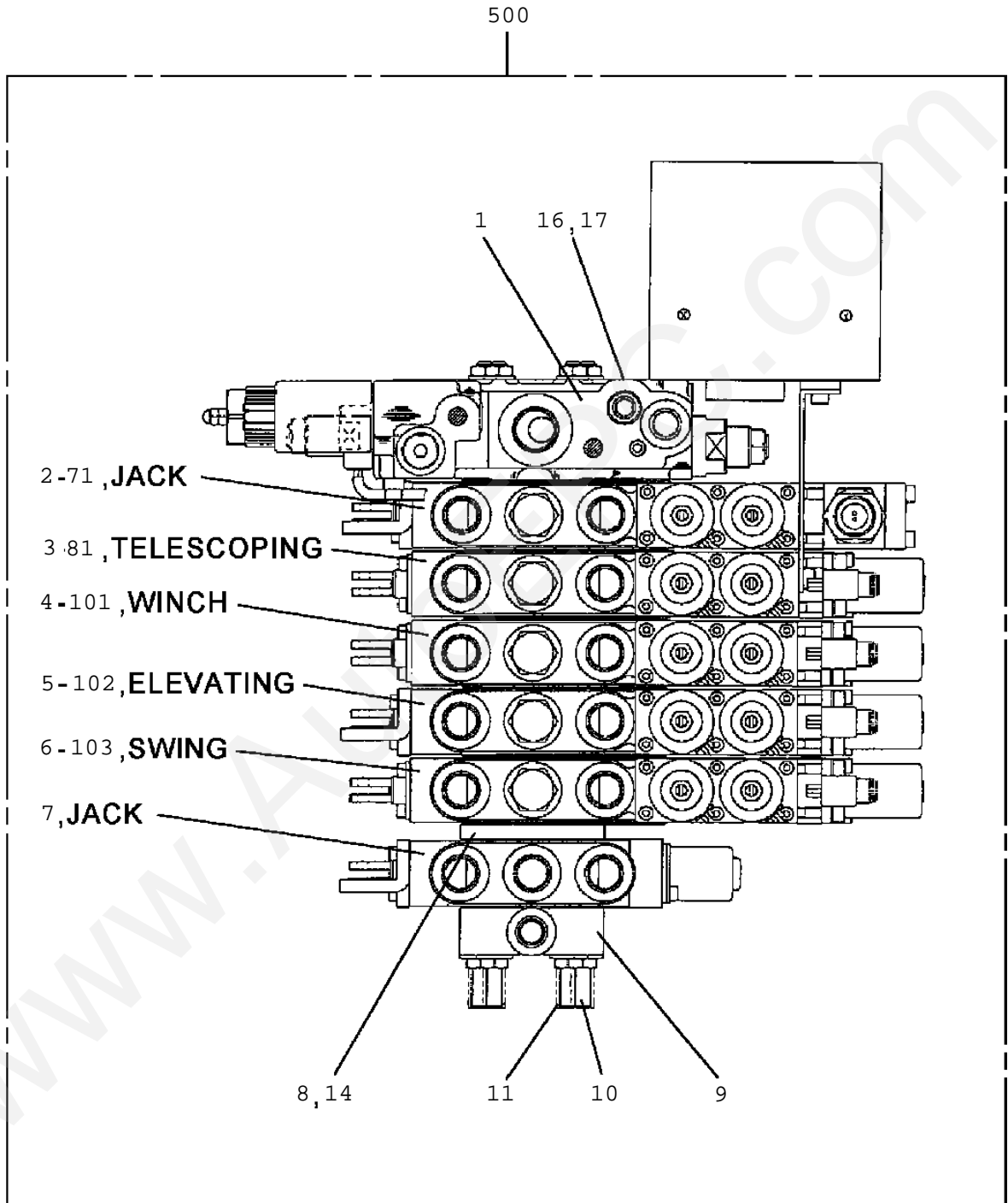
指示番号 KEY NO.	リモート コントロール (Fカ* タ,キット/RCS-FC1) REMOTE CONTROL (F,KIT/RCS-FC1)
12	ハイセンASSY ELEC.ASSY
11	スイッチ ホ* ックス SWITCH BOX
12	プ* レ-トASSY,ネ-ム PLATE ASSY,NAME

**TM-ZR360 41102310070A FRAME/SL,MANUAL,HOOK-IN**

Pos No.	Parts No	Parts Name	Qty	Unit	Technical Data	Serial No (Start)	Se
2	(***** )	ELEC.ASSY	1				
11	36805003000	SWITCH BOX	1				
12	(***** )	PLATE ASSY,NAME	1				

www.AutoEPC.com

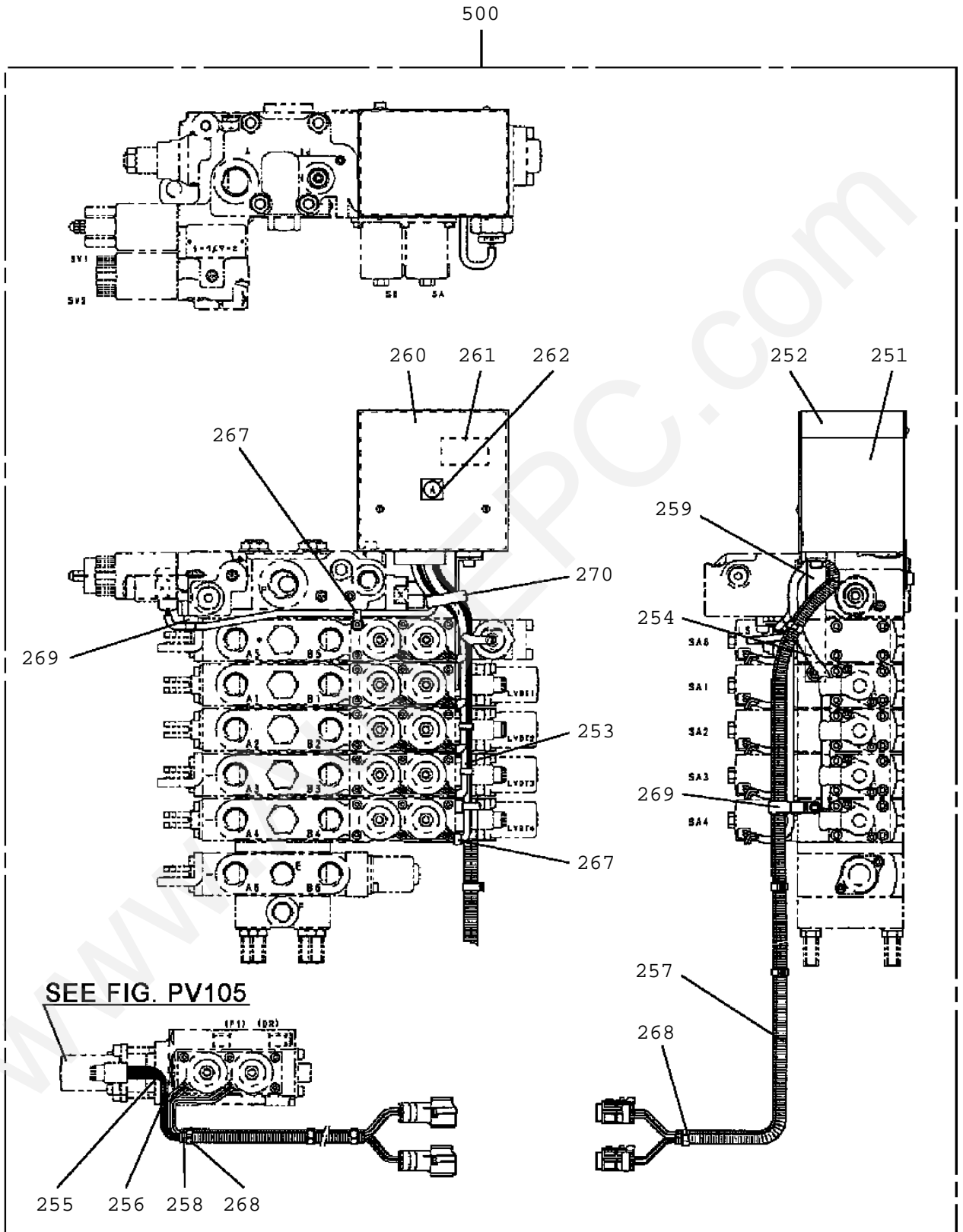
TM-ZR360 41102310070A FRAME/SL, MANUAL, HOOK-IN  
 PV1020231-03 VALVE, REMOTE CONTROL (NACHI)



展開圖有

ILLUSTRATED BREAKDOWN NO.1,2,3,4 5 6,7,71,81,101,102,103

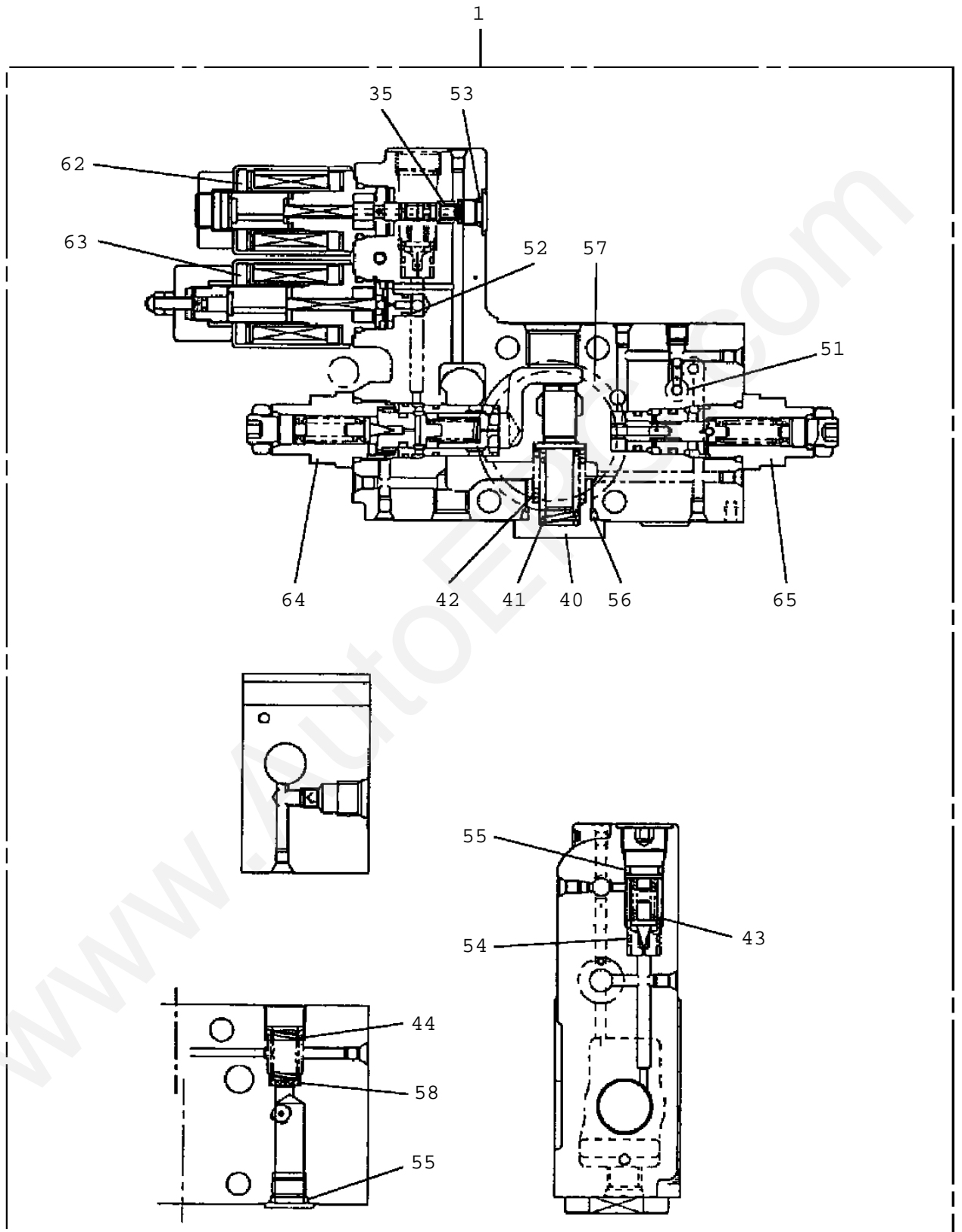
TM-ZR360 41102310070A FRAME/SL, MANUAL, HOOK-IN  
 PV1020231-03 VALVE, REMOTE CONTROL (NACHI)



展開図有

ILLUSTRATED BREAKDOWN NO 253, 254, 255, 256

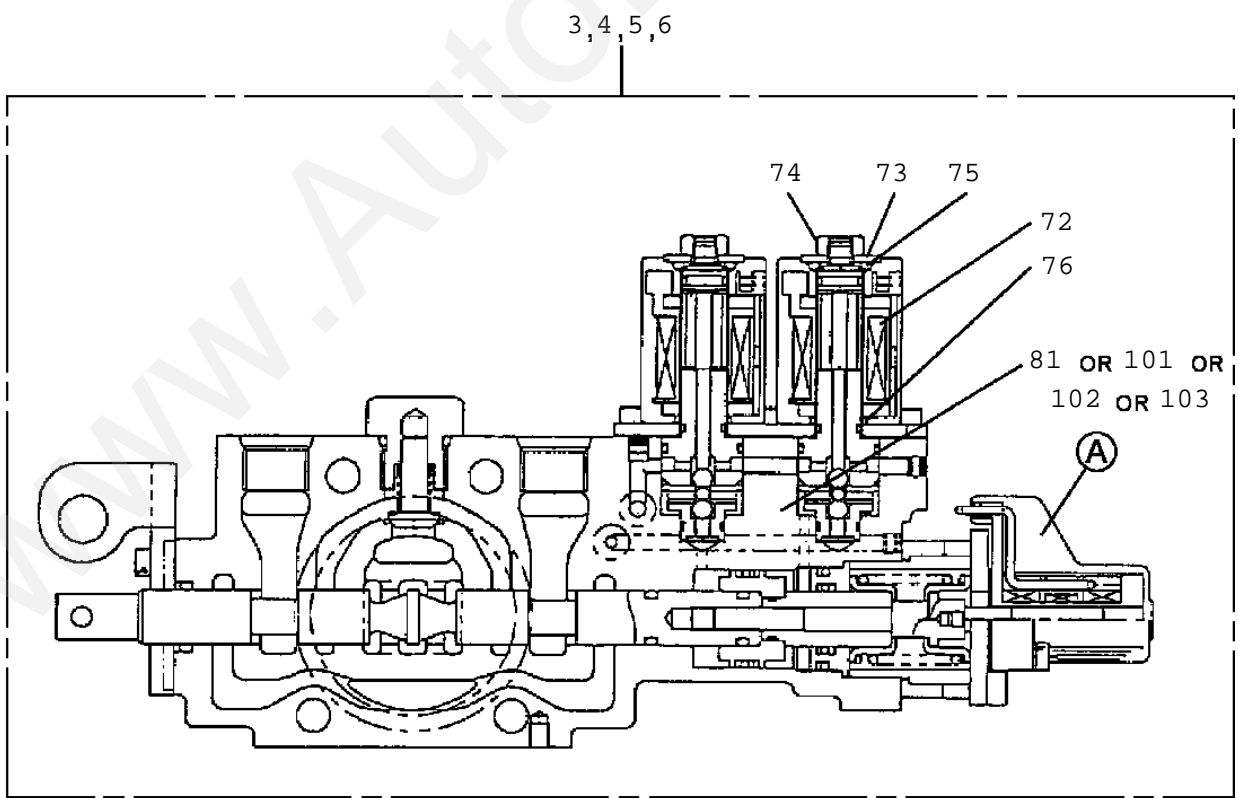
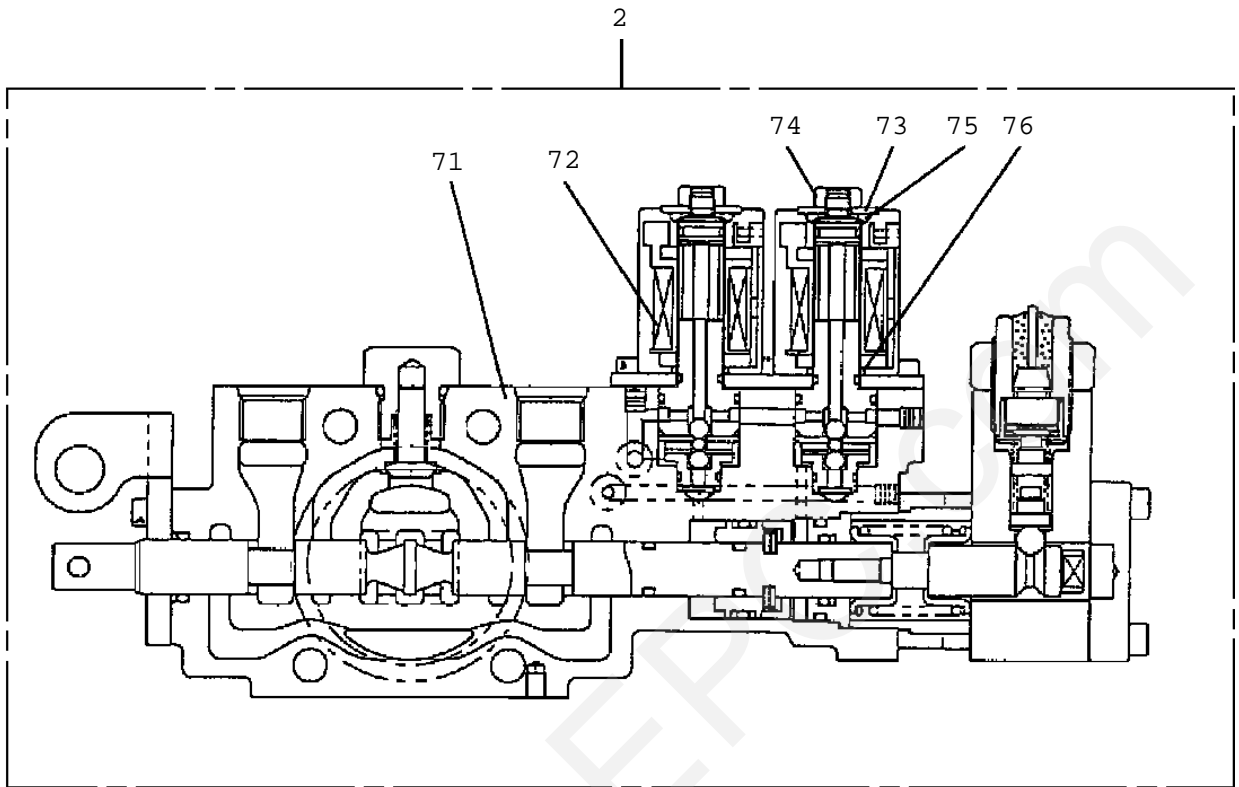
TM-ZR360 41102310070A FRAME/SL, MANUAL, HOOK-IN  
PV1020231-03 VALVE, REMOTE CONTROL (NACHI)



展開圖有

ILLUSTRATED BREAKDOWN NO.62,63,64,65

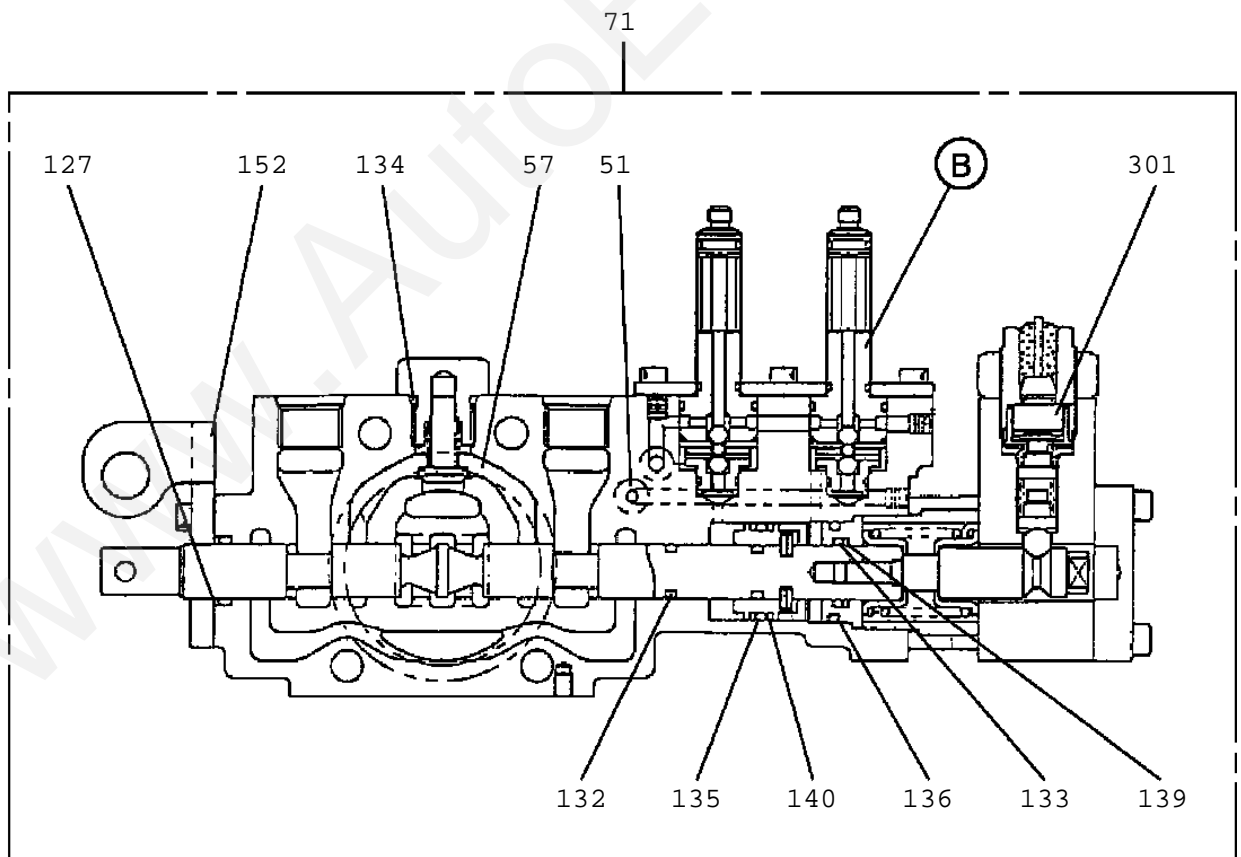
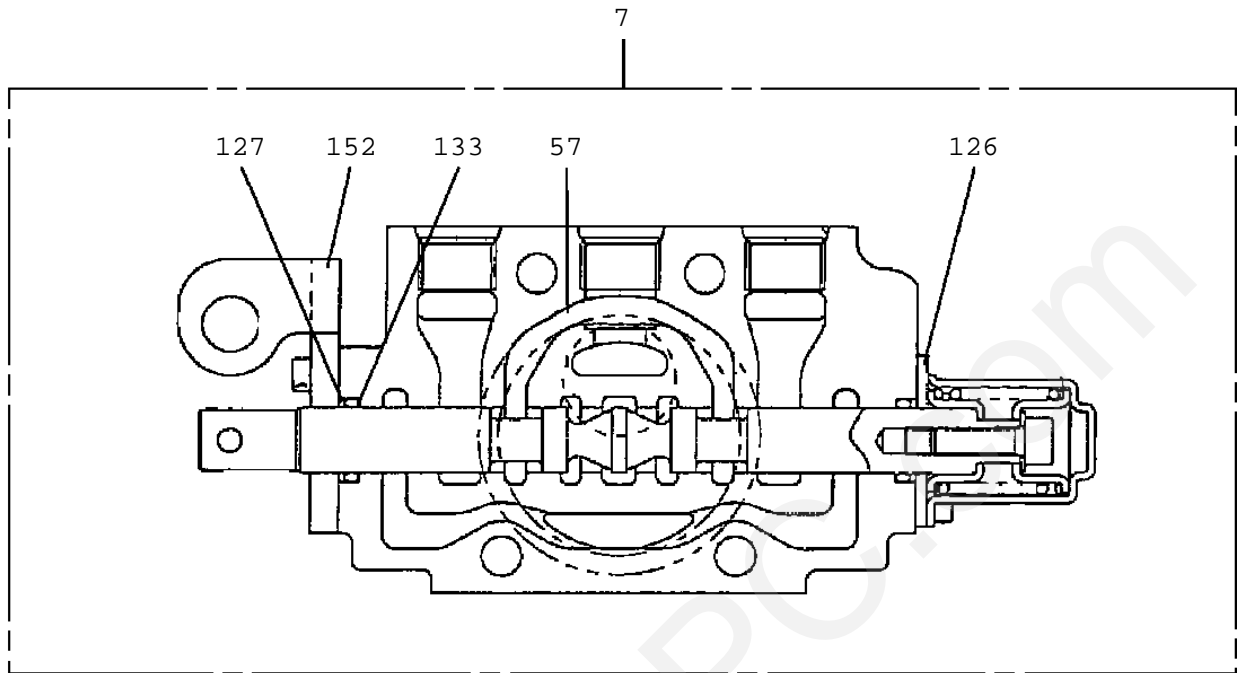
TM-ZR360 41102310070A FRAME/SL, MANUAL, HOOK-IN  
 PV1020231-03 VALVE, REMOTE CONTROL (NACHI)



展開圖有

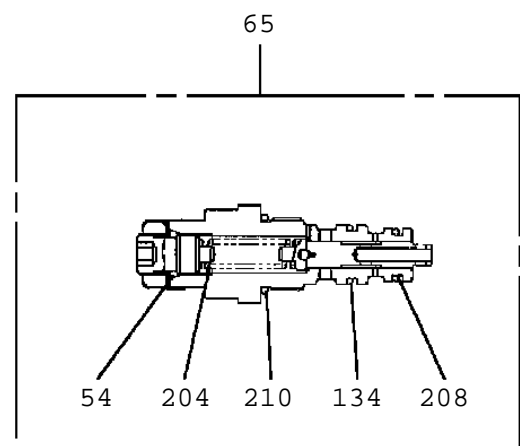
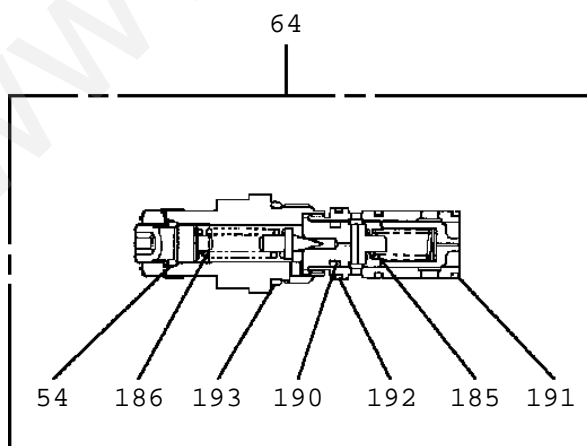
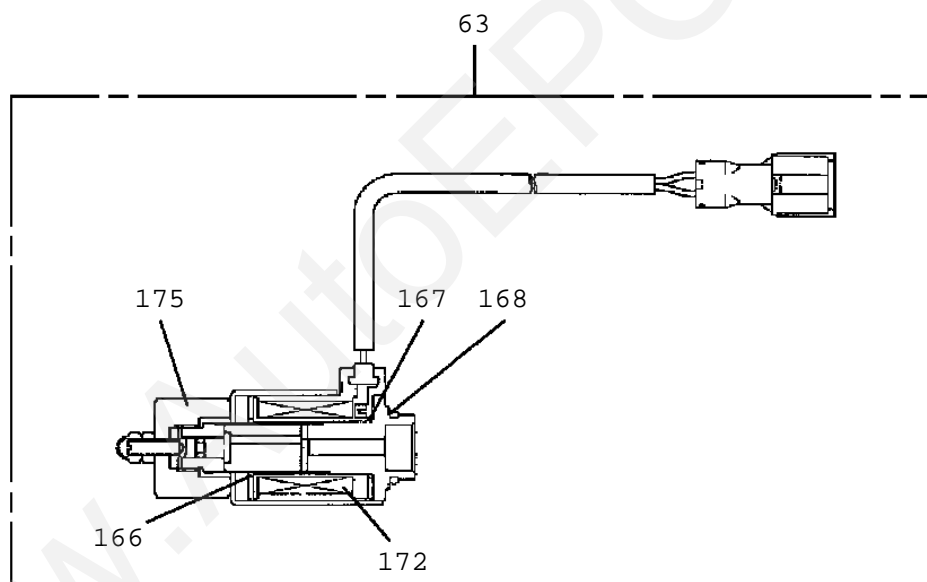
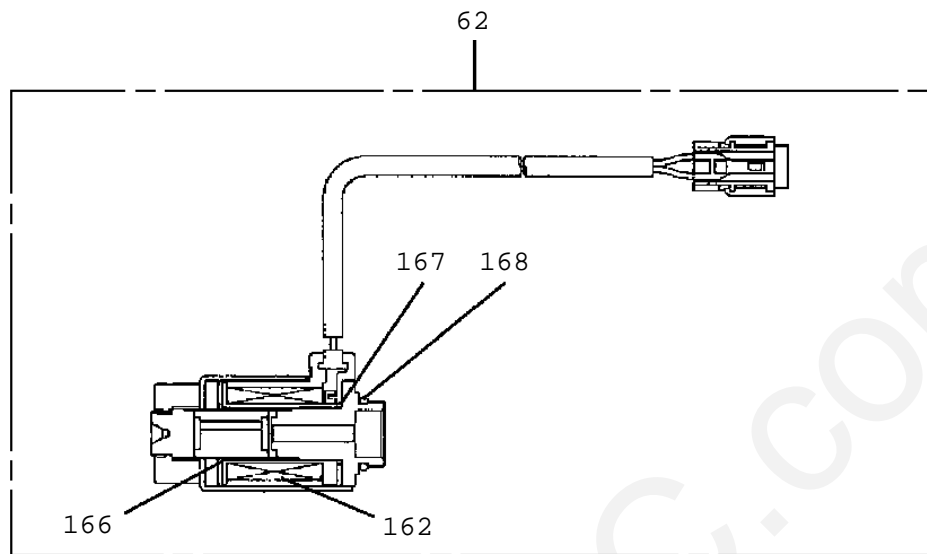
ILLUSTRATED BREAKDOWN NO. 81, 101, 102, 103, A

TM-ZR360 41102310070A FRAME/SL, MANUAL, HOOK-IN  
PV1020231-03 VALVE, REMOTE CONTROL (NACHI)



展開図有  
ILLUSTRATED BREAKDOWN NO. (B)

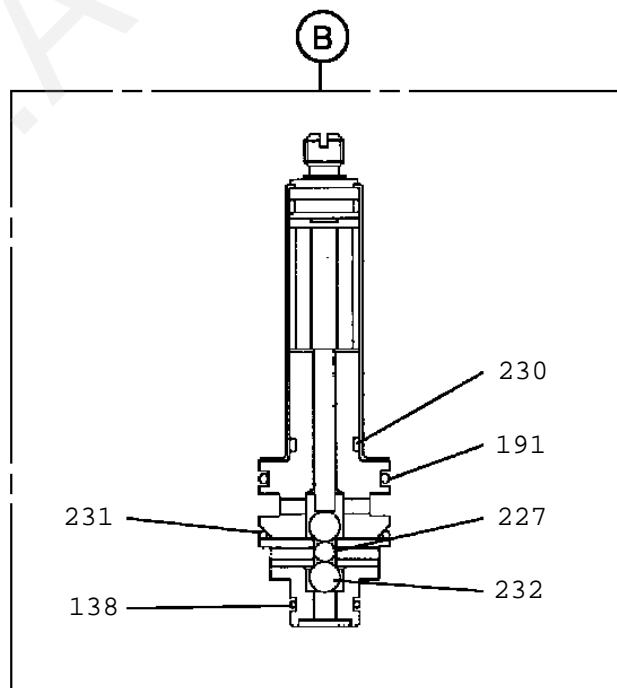
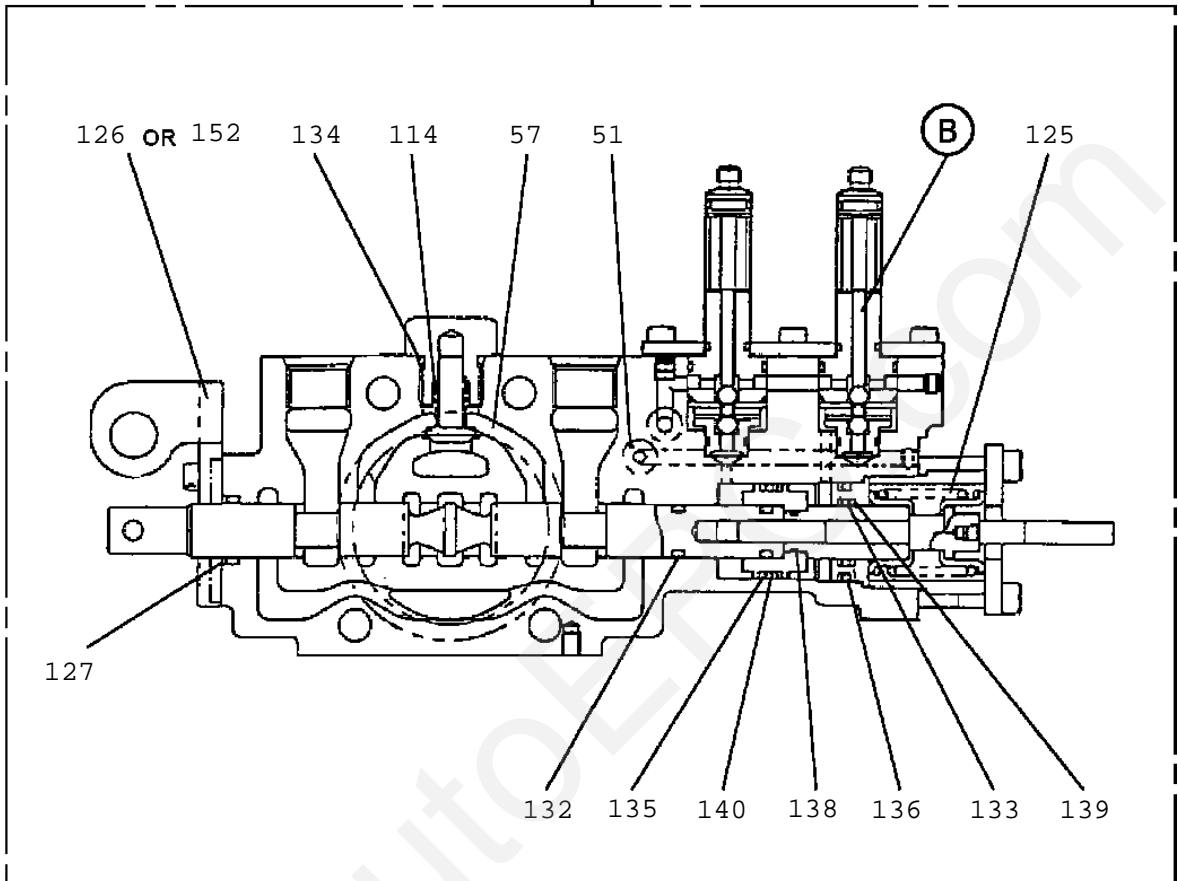
TM-ZR360 41102310070A FRAME/SL, MANUAL, HOOK-IN  
PV1020231-03 VALVE, REMOTE CONTROL (NACHI)





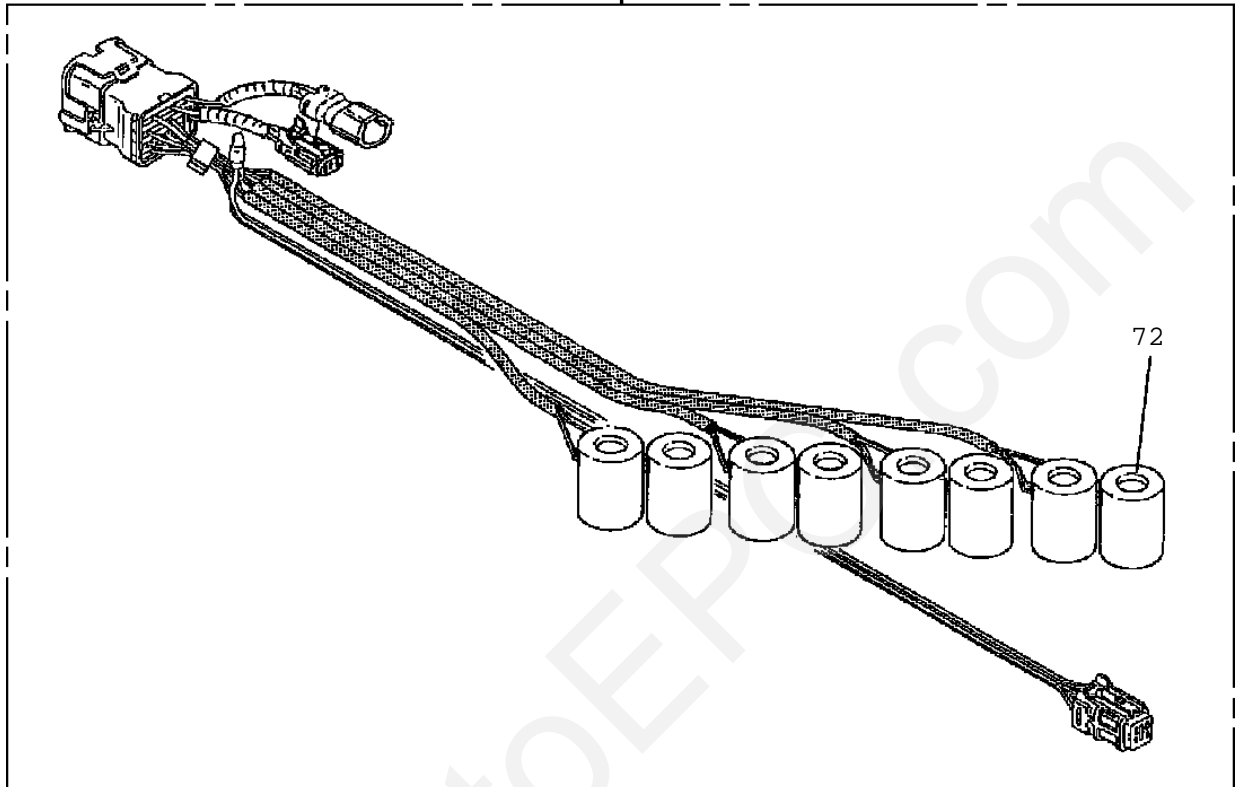
TM-ZR360 41102310070A FRAME/SL, MANUAL, HOOK-IN  
PV1020231-03 VALVE, REMOTE CONTROL (NACHI)

81, 101, 102, 103

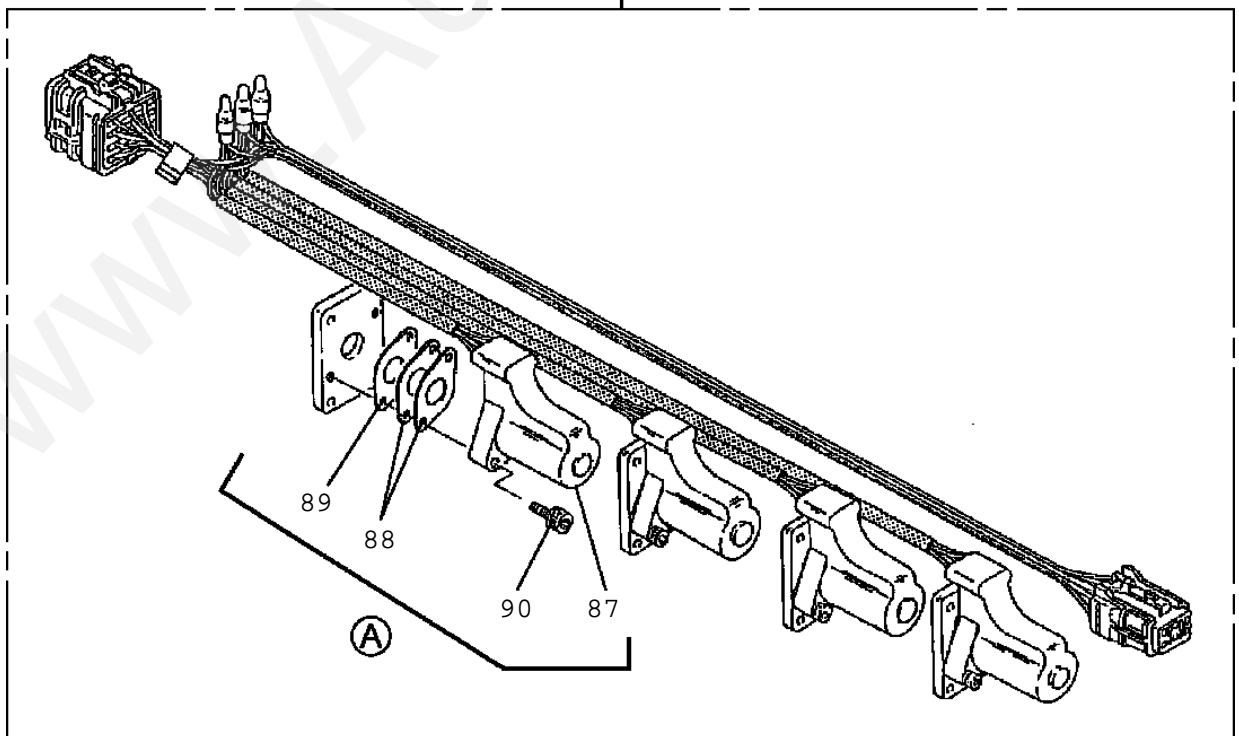


TM-ZR360 41102310070A FRAME/SL, MANUAL, HOOK-IN  
PV1020231-03 VALVE, REMOTE CONTROL (NACHI)

253

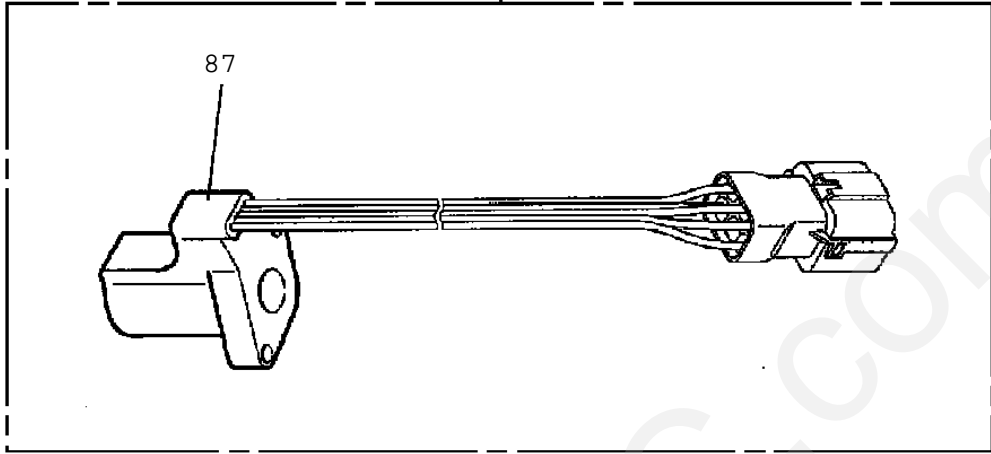


254

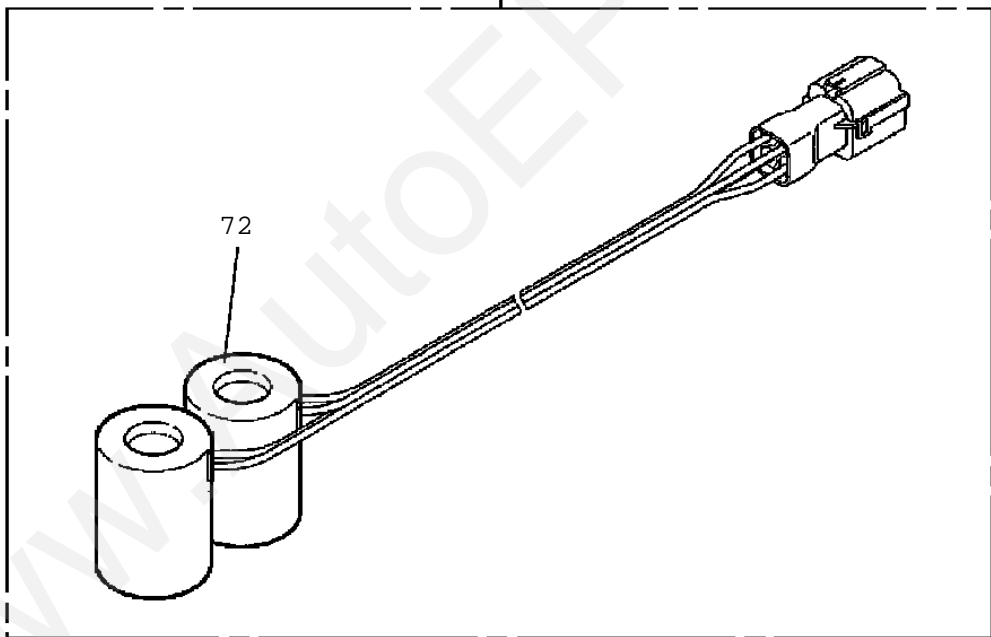


TM-ZR360 41102310070A FRAME/SL, MANUAL, HOOK-IN  
PV1020231-03 VALVE, REMOTE CONTROL (NACHI)

255



256



**TM-ZR360 41102310070A FRAME/SL, MANUAL, HOOK-IN**

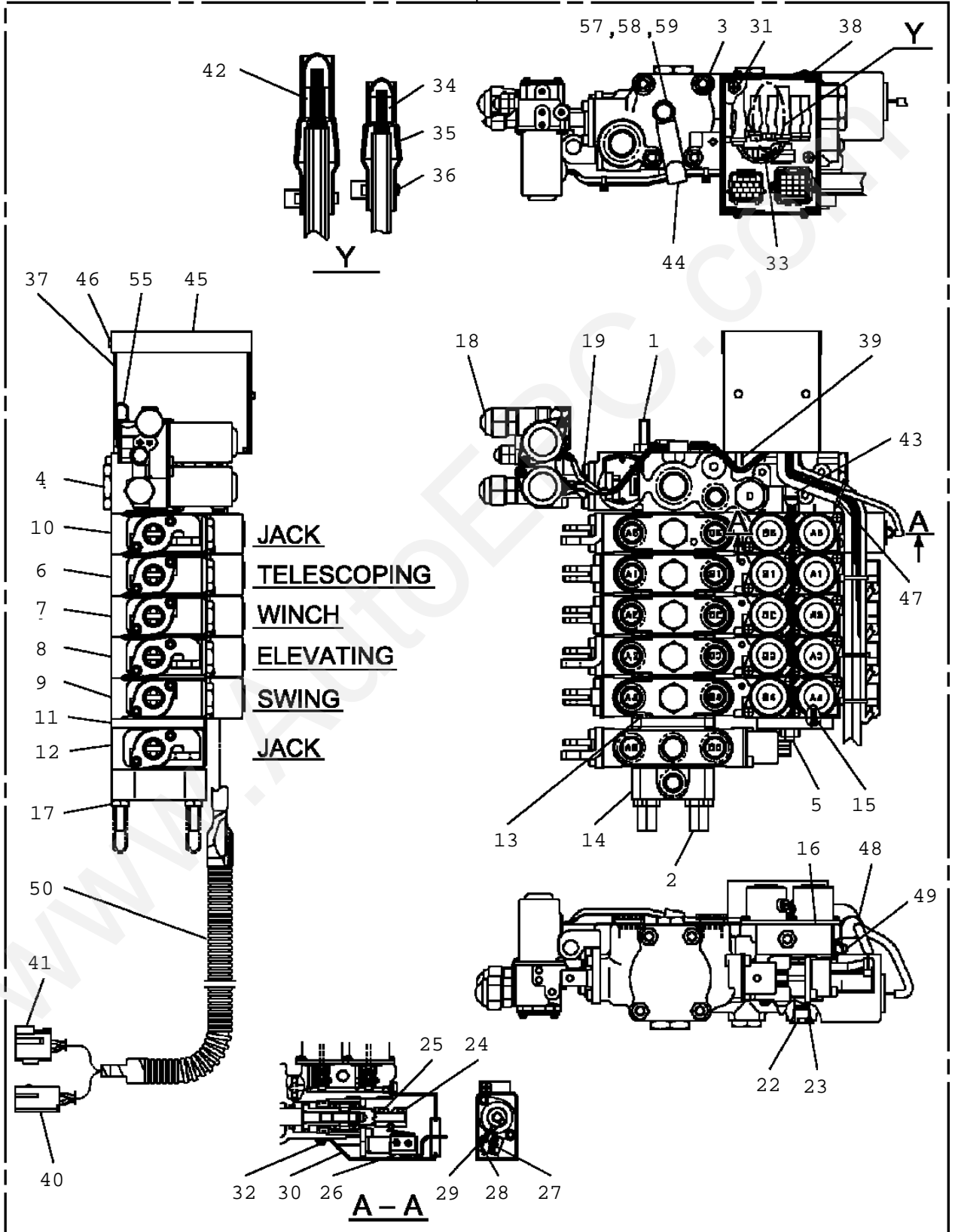
Pos No.	Parts No	Parts Name	Qty	Unit	Technical Data	Ser
1	36647985010	BLOCK, R.G.B.	1			
2	36648035010	VALVE, CONTROL (JACK/WITH COIL)	1			
3	36648035020	VALVE, CONTROL (TELESCOP/WITH COIL)	1			
4	36647985030	VALVE, CONTROL (WINCH/WITH COIL)	1			
5	36648035030	VALVE, CONTROL (ELEVATING/WITH COIL)	1			
6	36648035041	VALVE, CONTROL (SWING, WITH COIL)	1			
7	36646285021	VALVE, CONTROL (JACK)	1			
8	36648035050	PLATE	1			
9	36648035060	PLATE (END)	1			
10	36648035070	BOLT, TIE	4			
11	36646285060	CAP	4			
14	91001205500	O-RING	1		1A G55	
16	36605425070	PLUG	2			
17	91002801100	O-RING	2		1B P11	
35	36647985090	SPRING	1			
40	36644795100	CAP	1			
41	36647285170	SPRING (A)	1			
42	36646165070	SPRING (B)	1			
43	36644795041	SPRING	1			
44	70320127630	SPRING	1			
51	91001100600	O-RING	12		1A P6	
52	91002800600	O-RING	1		1B P6	
53	91002800800	O-RING	1		1B P8	
54	91002801000	O-RING	3		1B P10	
55	91002801100	O-RING	2		1B P11	
56	91002802500	O-RING	1		1B P25	
57	91001205500	O-RING	7		1A G55	
58	36647285010	FILTER	1			
62	36647985100	SOLENOID KIT (FOR LOW PRESSURE)	1			
63	36647985110	SOLENOID KIT (FOR UNLOAD)	1			
64	36644795031	VALVE, RELIEF	1			
65	36642415151	VALVE, REDUCING	1			
71	36648035080	VALVE, CONTROL (JACK/WITHOUT COIL)	1			
72	36647985160	COIL, SOLENOID	10			
73	36647645050	WASHER	10			
74	36647645060	NUT	10			
75	91001101100	O-RING	10		1A P11	
76	91001001200	O-RING	10		1A S12	
81	36648035090	VALVE, CONTROL (TELES/WITHOUT COIL)	1			
87	36647985170	COIL	4			
88	36642415300	SHIM (T=0.5)	8			
89	36642415310	SHIM (T=0.2)	8			
90	36062605020	BOLT, HEXAGON SOCKET (WITH WASHER)	8		M4X15	
101	36647985180	VALVE, CONTROL (WINCH)	1			
102	36648035100	VALVE, CONTROL (ELEVAT/WITHOUT COIL)	1			
103	36648035111	VALVE, CONTROL (SWING, WITHOUT COIL)	1			
114	36642415330	SPRING	3			
125	36642415210	SPRING	4			
126	36642415320	PLATE	4			
127	36642415220	RING, BACKUP	7			
132	91001101001	O-RING	10		1A P10A	
133	91001101400	O-RING	12		1A P14	
134	91002801400	O-RING	6		1B P14	
135	91001102100	O-RING	5		1A P21	
136	91001102200	O-RING	5		1A P22	
138	91001000900	O-RING	14		S9	
139	91411001400	RING, BACKUP	5		P14	
140	91411002100	RING, BACKUP	10		P21	
152	36645605110	PLATE (FULCRUM)	3			
162	36647985120	COIL, SOLENOID	1			
166	91001001500	O-RING	2		1A S15	
167	91001001600	O-RING	2		1A S16	
168	91001101800	O-RING	2		1A P18	
172	36647985130	COIL, SOLENOID	1			
175	36647985140	LOCK ASSY	1			
185	36642415160	SPRING	1			
186	36647285390	SPRING	1			
190	91002801001	O-RING	1		1B P10A	
191	91000501700	O-RING	12			
192	91000501800	O-RING	1		ARP568-018	
193	91002802200	O-RING	1		1B P22	
204	36647985350	SPRING	1			
208	91002801200	O-RING	1		1B P12	
210	91002802000	O-RING	1		1B P20	

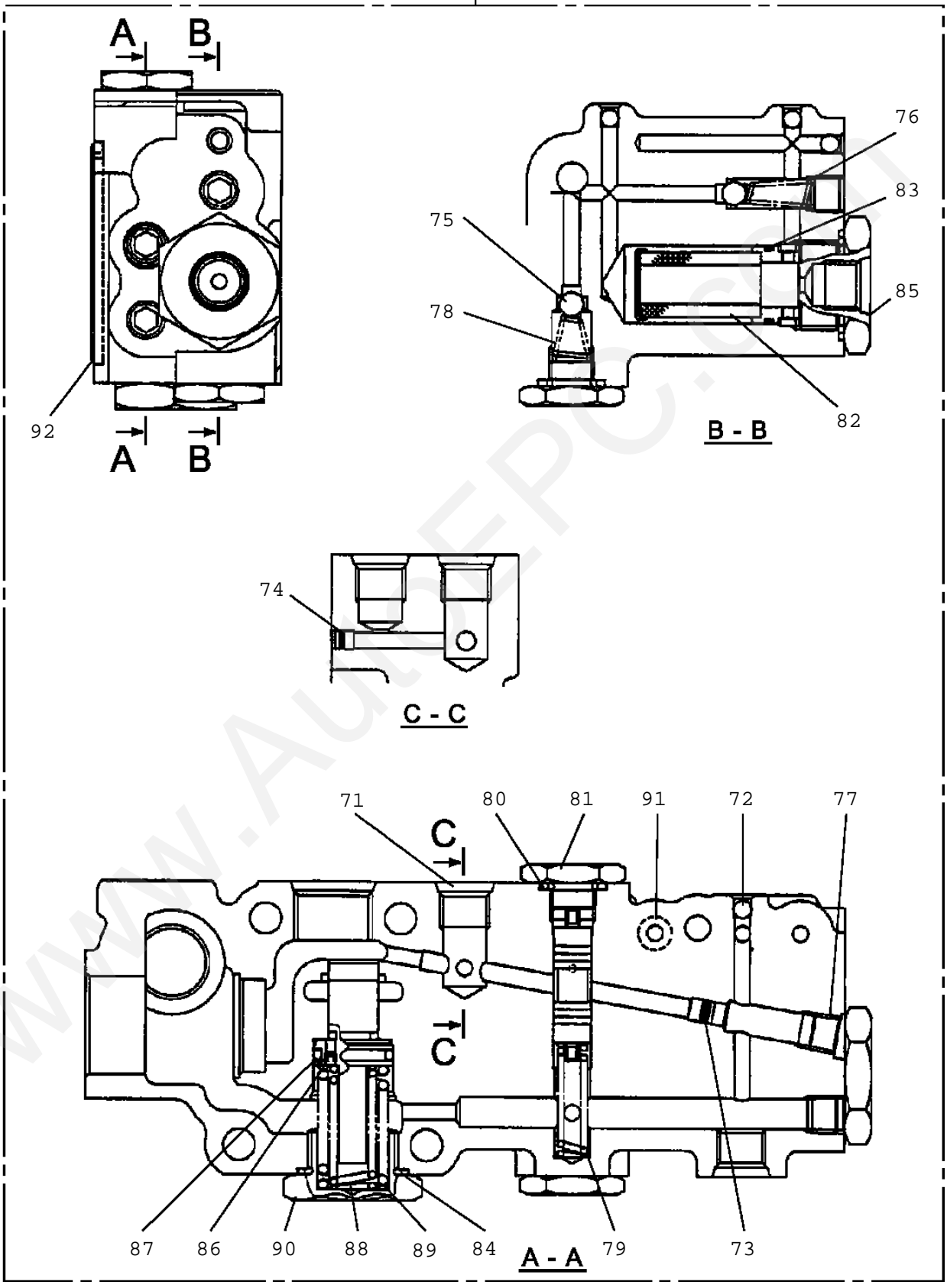
**TM-ZR360 41102310070A FRAME/SL,MANUAL,HOOK-IN**

Pos No.	Parts No	Parts Name	Qty	Unit	Technical Data	Ser
227	36647285340	BALL,STEEL	10			
230	36647285350	O-RING	10			
231	91001001800	O-RING	10		S18	
232	80560055000	BALL,STEEL	20		3/16	
251	36647985240	BOX	1			
252	36647985250	COVER	1			
253	36647985260	HARNESS ASSY (WITH COIL)	1			
254	36647985270	HARNESS ASSY (WITH COIL)	1			
255	36647985280	HARNESS ASSY (WITH COIL)	1			
256	36647985290	HARNESS ASSY (WITH COIL)	1			
257	36647985310	TUBE,CORRUGATE	1			
258	36647985320	TUBE,CORRUGATE	1			
259	36643725260	ANGLE	1			
260	36645815200	SEAT (RUBBER)	1			
261	36645815230	SEAT (RUBBER)	1			
262	36645815210	STICKER	1			
267	36645815170	CLIP	2			
268	36645815180	INSULOCK	13			
269	36647985330	TIE (INSULOCK)	2			
270	36647985340	TIE (INSULOCK)	1			
301	36645155160	SWITCH ASSY	1			
500	36648030000	VALVE,REMOTE CONTROL (NACHI)	1			

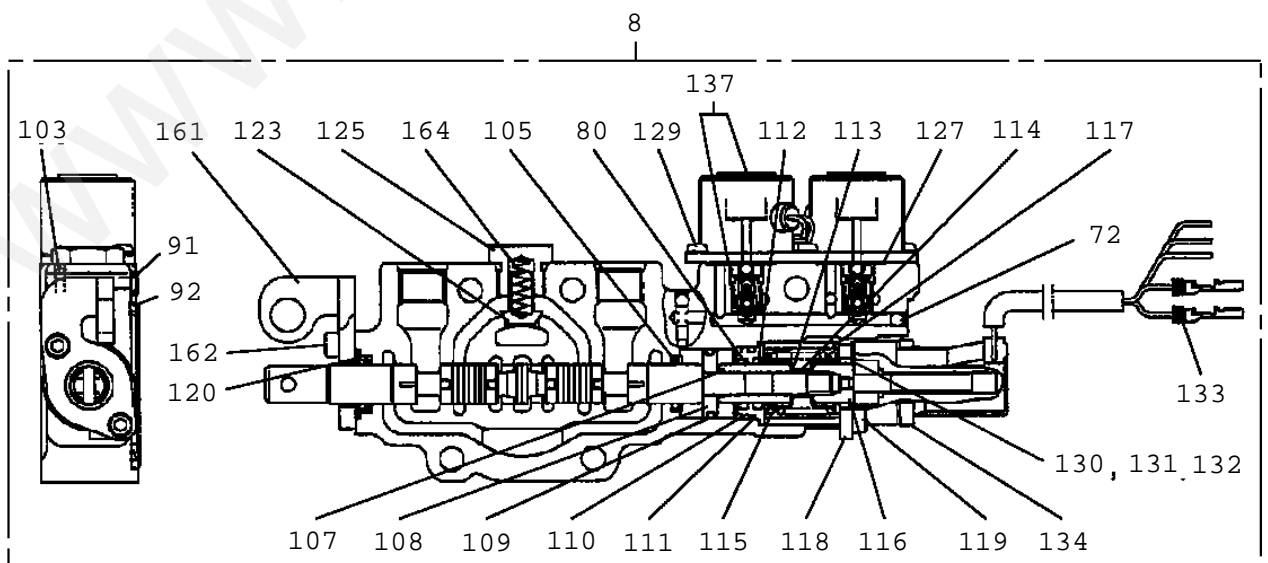
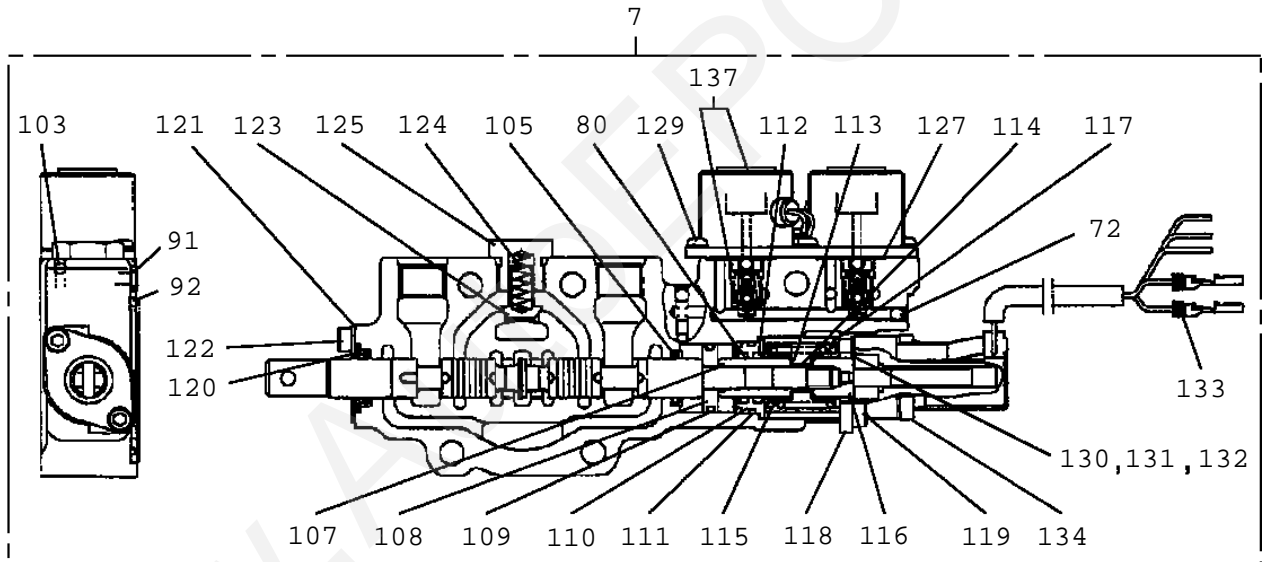
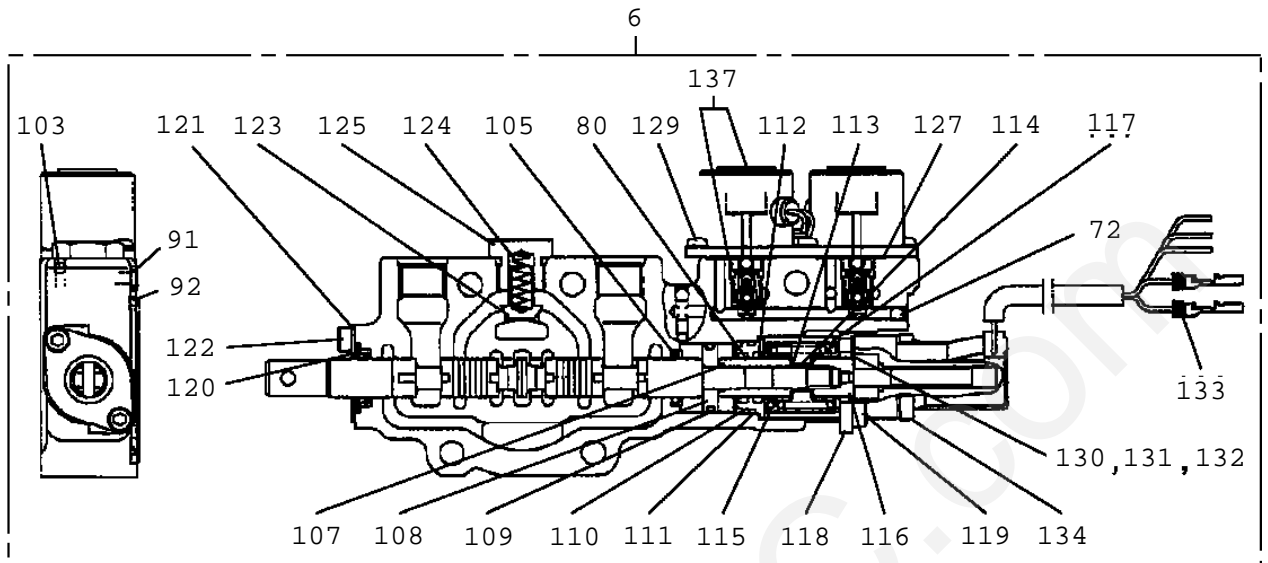
www.AutoEPC.com

500



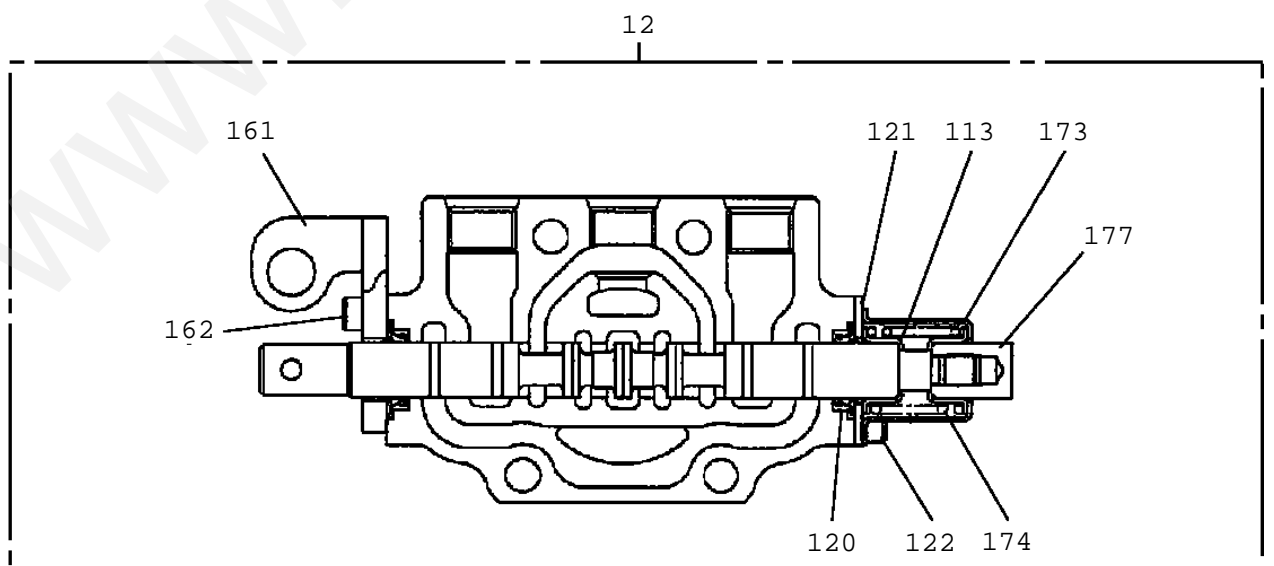
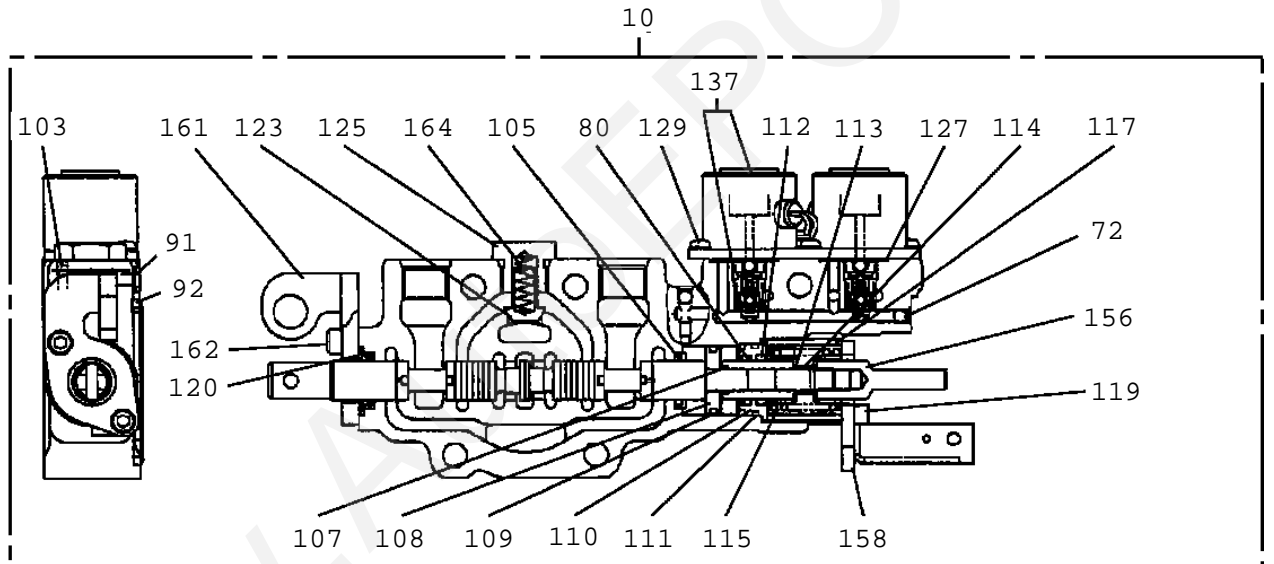
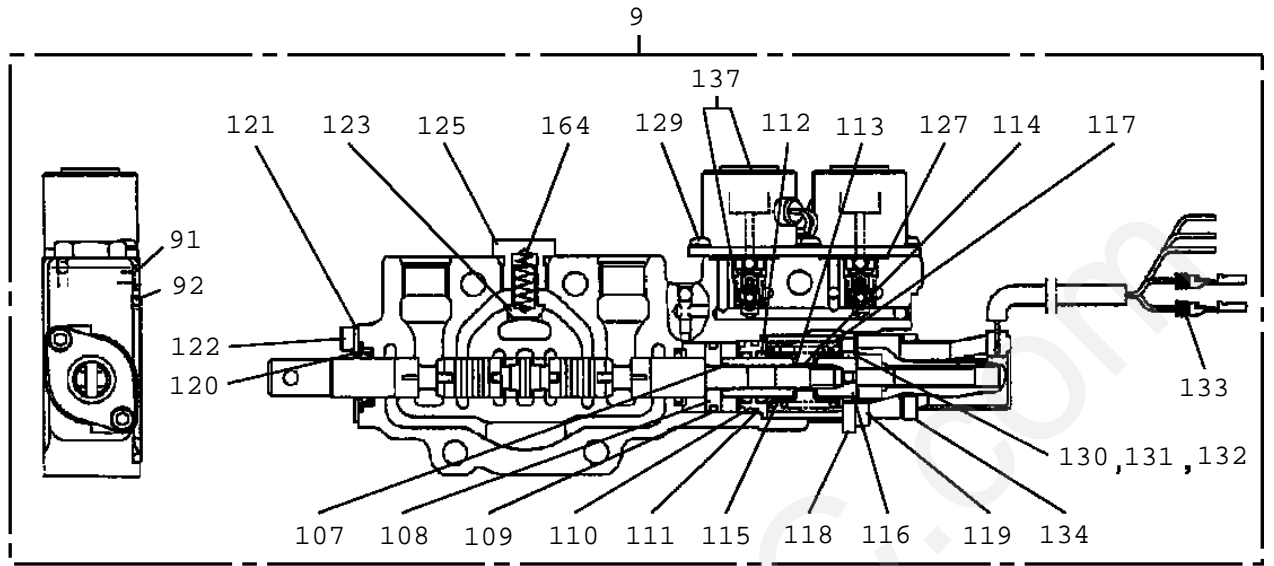


TM-ZR360 41102310070A FRAME/SL, MANUAL, HOOK-IN  
 PV1020353-00 VALVE, REMOTE CONTROL

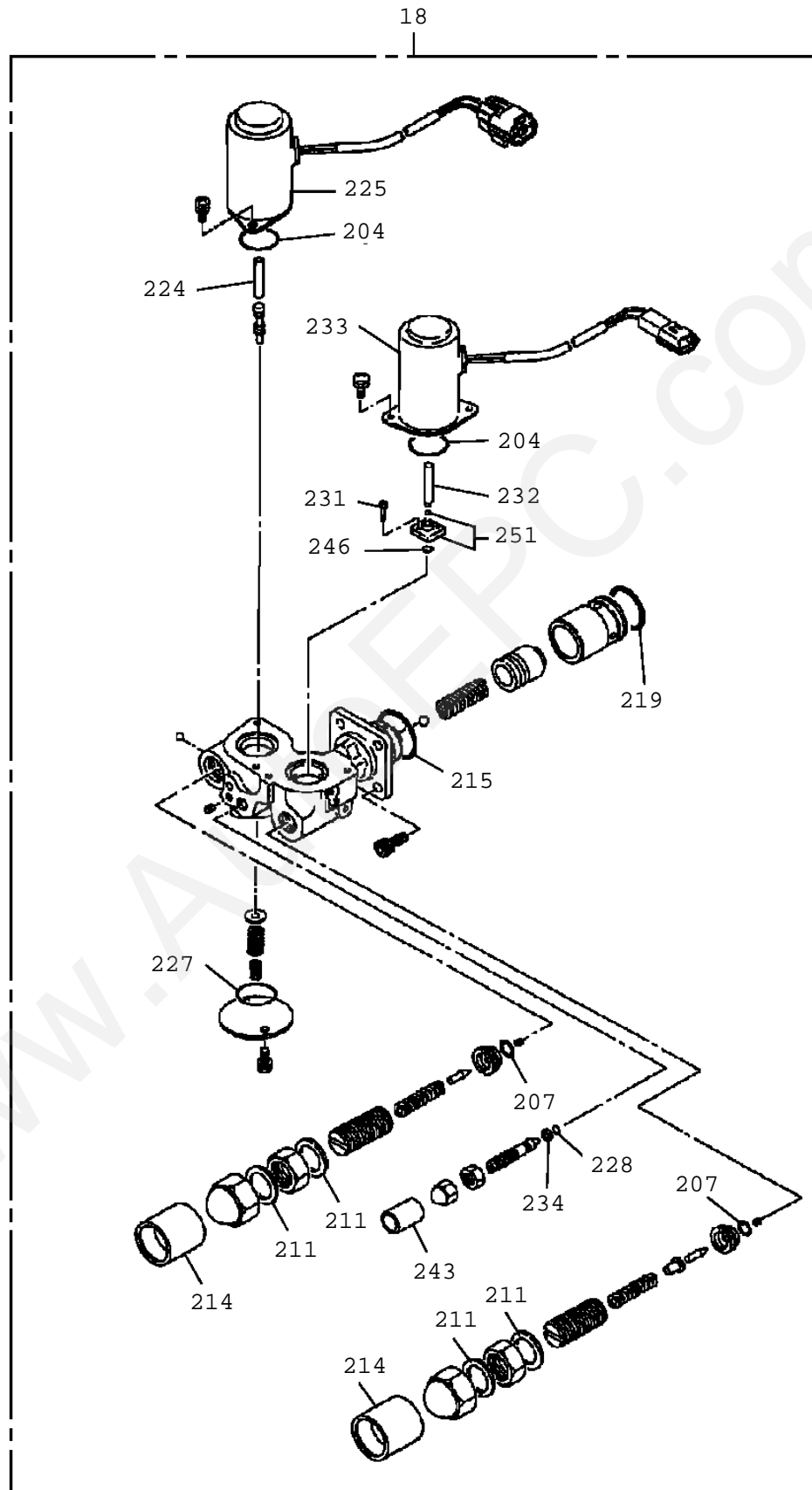




TM-ZR360 41102310070A FRAME/SL, MANUAL, HOOK-IN  
 PV1020353-00 VALVE, REMOTE CONTROL



TM-ZR360 41102310070A FRAME/SL, MANUAL, HOOK-IN  
PV1020353-00 VALVE, REMOTE CONTROL



**TM-ZR360 41102310070A FRAME/SL, MANUAL, HOOK-IN**

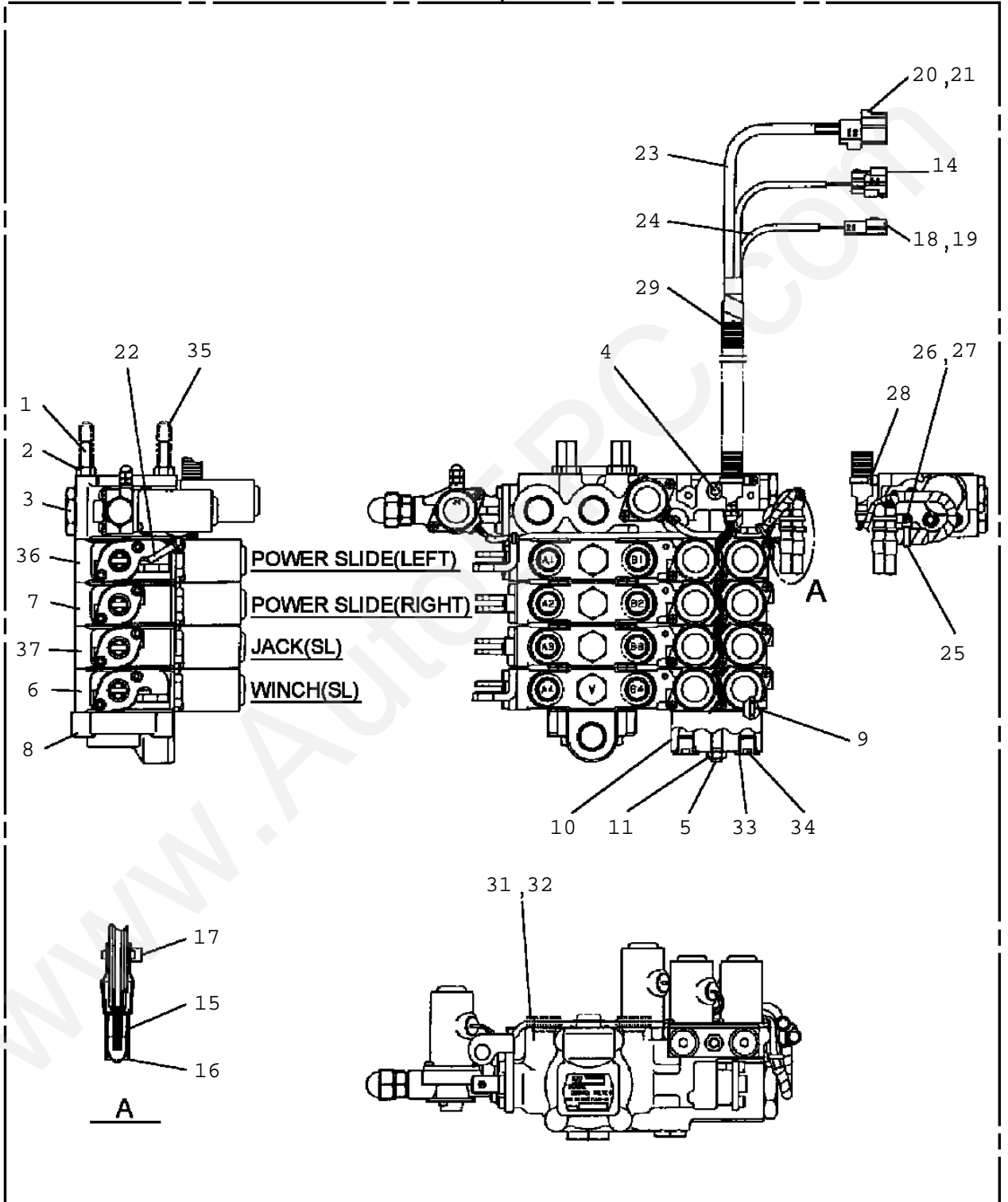
Pos No.	Parts No	Parts Name	Qty	Unit	Technical Data	Serial No
1	36645585010	BOLT, TIE	1			
2	36636085030	BOLT, TIE (A)	3			
3	90201200800	NUT	4		M8	
4	36741810060	COVER (FRONT)	1			
5	36647075050	BOLT, TIE (A)	1			
6	36648385010	VALVE, CONTROL (TELESCOPING)	1			
7	36648365030	VALVE, CONTROL (WINCH)	1			
8	36648385020	VALVE, CONTROL (ELEVATING)	1			
9	36741385010	VALVE, CONTROL (SWING)	1			
10	36648385040	VALVE, CONTROL (JACK)	1			
11	36636085050	PLATE	1			
12	36637485060	VALVE, CONTROL (JACK)	1			
13	91002905500	O-RING	2		1B G55	
14	36645375030	COVER (BOTTOM)	1			
15	80720104012	PIN, SPRING	1		4X12	
16	36644835061	COVER	1			
17	90203200800	NUT	5		M8	
18	36645405011	VALVE, SOLENOID	1			
19	36645615230	C-BOLT	4		5X12	
22	36644115130	PLUG	2			
23	91001101100	O-RING	2		1A P11	
24	36649075060	CAM	2			
25	36646865110	SCREW, SET	2			
26	36648385051	SWITCH ASSY	1			
27	36647125090	SCREW, MACHINE	2		M2.3X14	
28	36646575070	PLATE	1			
29	36647125100	NUT	2		M2.3	
30	36648385060	COVER	1			
31	80172105008	SCREW, MACHINE	3		M5X8	
32	80172104006	SCREW, MACHINE	2		M4X6	
33	36649585260	HARNESS	1			
34	36644015120	CONNECTOR	3			
35	36644015130	TUBE	5			
36	11615111410	BAND	8			
37	36644015080	BOX	1			
38	36644015150	URETHANE (ROOL STOCK)	4			
39	36644015140	COVER	1			
40	36648365090	HARNESS ASSY (LVDT)	1			
41	36649715020	HARNESS ASSY (SOLENOID)	1			
42	36644015110	CONNECTOR	2			
43	36640625140	TUBE	1		12B	
44	36646865070	CLIP	1			
45	36644015070	COVER	1			
46	36645405150	SCREW, MACHINE	4		M3X5	
47	36740765040	BAND	2			
48	36646865060	FASTENER	2			
49	36647855190	SCREW, MACHINE	2		M5X12	
50	36646875100	TUBE	1		15	
55	36640755070	CAP	5			
57	90303070801	WASHER, PLAIN	1		8	
58	90302040801	WASHER, SPRING	1		8	
59	90101208012	BOLT	1		M8X12	
71	36648365171	COVER (FRONT SUB)	1			
72	36648375020	BALL, STEEL	16		3/16	
73	36646875110	COCK	1			
74	36660495110	PLUG	1			
75	80560057000	BALL, STEEL	2		1/4	
76	36640625260	SPRING	1			
77	80316030020	PLUG	5		PT1/8	
78	36640625220	SPRING	1			
79	36641075260	SPRING	1			
80	91001101400	O-RING	14		1A P14	
81	36640625210	CAP	2			
82	36640625240	FILTER	1			
83	91001001800	O-RING	1		S18	
84	91001002600	O-RING	2		S26	
85	36647395150	PLUG	1		M24	
86	36646875130	ORIFICE	1		M3	
87	91001101600	O-RING	1		1A P16	
88	36646265090	SPRING (B)	1			
89	36646265080	SPRING (A)	1			
90	36645615210	PLUG	1		24	
91	91001100600	O-RING	28		1A P6	
92	91002905500	O-RING	6		1B G55	

**TM-ZR360 41102310070A FRAME/SL, MANUAL, HOOK-IN**

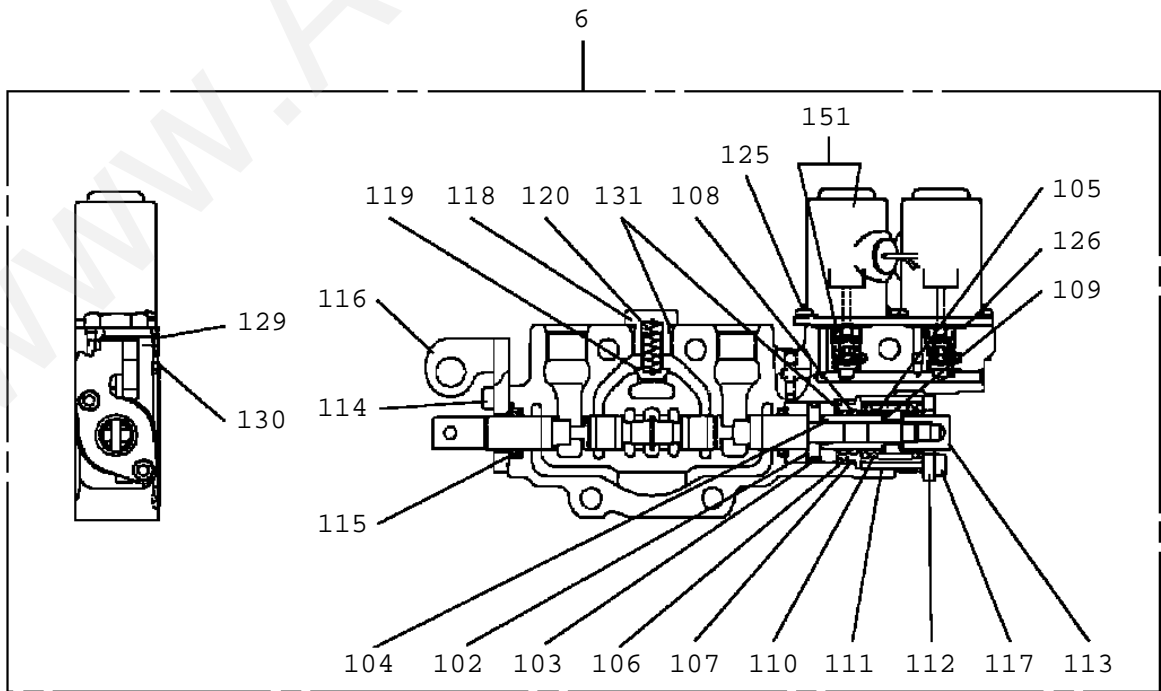
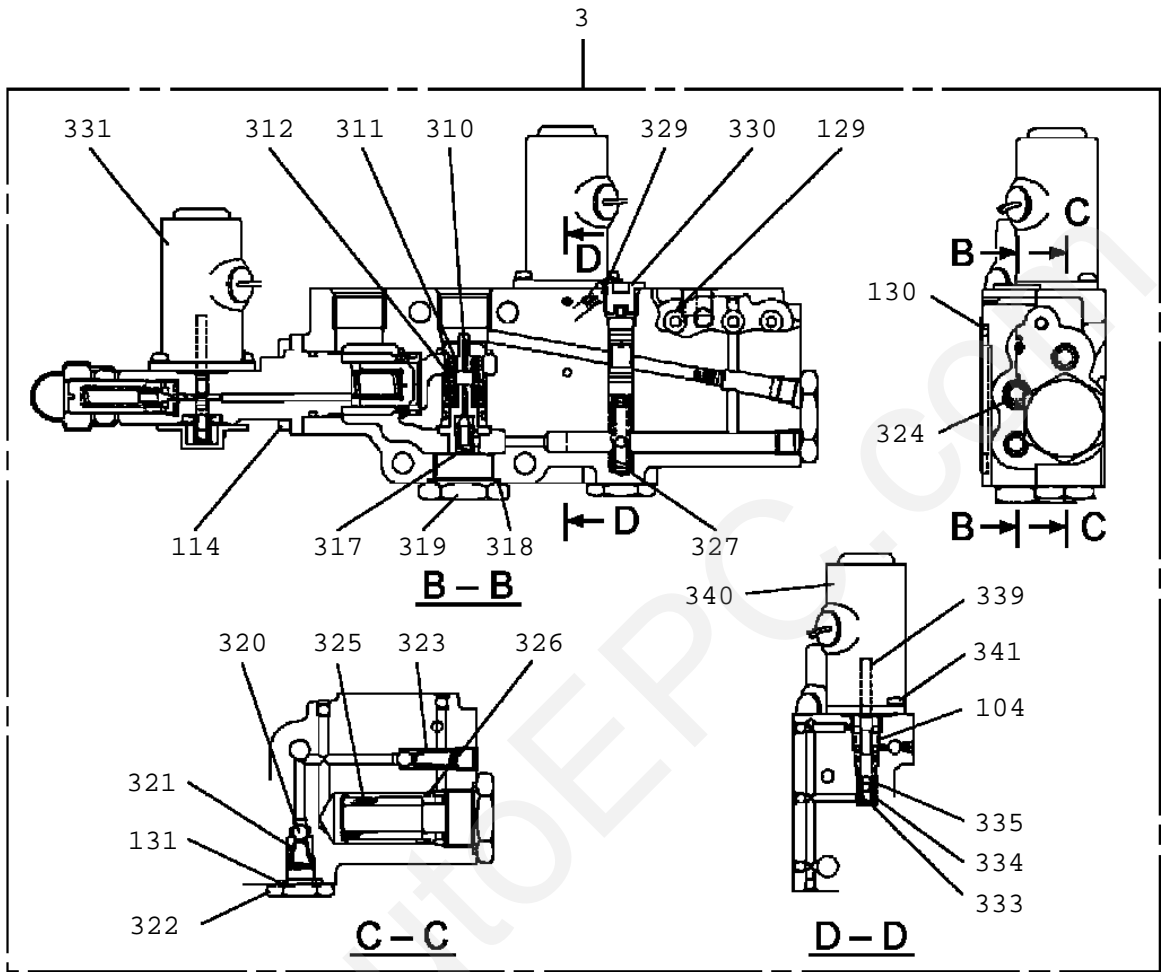
Pos No.	Parts No	Parts Name	Qty	Unit	Technical Data	Serial No
103	36648375030	BALL, STEEL	8		5/32	
105	36640625310	BUSH	4			
107	91001000800	O-RING	5		S8	
108	36646865190	PISTON	5			
109	91001102000	O-RING	5		1A P20	
110	36648365110	FLANGE	5			
111	91001002240	O-RING	5		S22.4	
112	91650001400	SCRAPER	5			
113	36645495210	SEAT, SPRING (RETURN)	12			
114	36648365120	SPOOL (SUB)	5			
115	36645845060	SPRING (RETURN)	5			
116	36644015260	ADAPTER	4			
117	36648365130	SPACER	5			
118	36645405090	PLATE (D)	4			
119	36645615250	C-BOLT	10		M5X25	
120	36633365100	SEAL, OIL	7			
121	36633365060	PLATE (B)	4			
122	36645615260	C-BOLT	8		M5X8	
123	12635101360	SPOOL	5			
124	36635735150	SPRING (CHECK VALVE)	2			
125	36633365090	CAP (CHECK VALVE)	5			
127	91001002200	O-RING	10		S22	
129	80172104010	SCREW, MACHINE	20		M4X10	
130	36644015220	SHIM (T=0.2)	8			
131	36644015230	SHIM (T=0.3)	8			
132	36645405110	SHIM (T=1.0)	4			
133	36648365140	LVDT ASSY (1)	4			
134	36645405100	BOLT	8		M4X22	
137	36648365150	VALVE, SOLENOID (KIT)	10			
156	36645495220	ADAPTER	1			
158	36648385080	BRACKET	1			
161	36645845050	LINK	3			
162	36645615230	C-BOLT	6		5X12	
164	12635101190	SPRING	3			
173	36637475090	CAP	1			
174	36633365050	SPRING (RETURN)	1			
177	36633365070	ADAPTER	1			
204	36645405030	O-RING	2			
207	91002800700	O-RING	2		1B P7	
211	11629431040	PACKING	4			
214	16623320390	TUBE (SEAL)	2			
215	91001102200	O-RING	1		1A P22	
219	91002802100	O-RING	1		1B P21	
224	36646865170	ROD, PUSH	1		8	
225	36645495240	SOLENOID ASSY	1			
227	91001001000	O-RING	1		1A S10	
228	91002800300	O-RING	1		1B P3	
231	90131903008	BOLT, HEXAGON SOCKET	2		M3X8	
232	36645405040	ROD, PUSH	1			
233	36645495250	SOLENOID ASSY	1			
234	36645495260	RING, BACKUP	1			
243	36603185150	TUBE	1			
246	91002800400	O-RING	1		1B P4	
251	36645405180	SEAT, VALVE (WITH STEEL BALL)	1			
500	36741360000	VALVE, REMOTE CONTROL	1			

TM-ZR360 41102310070A FRAME/SL, MANUAL, HOOK-IN  
 PV1020386-00 VALVE, REMOTE CONTROL

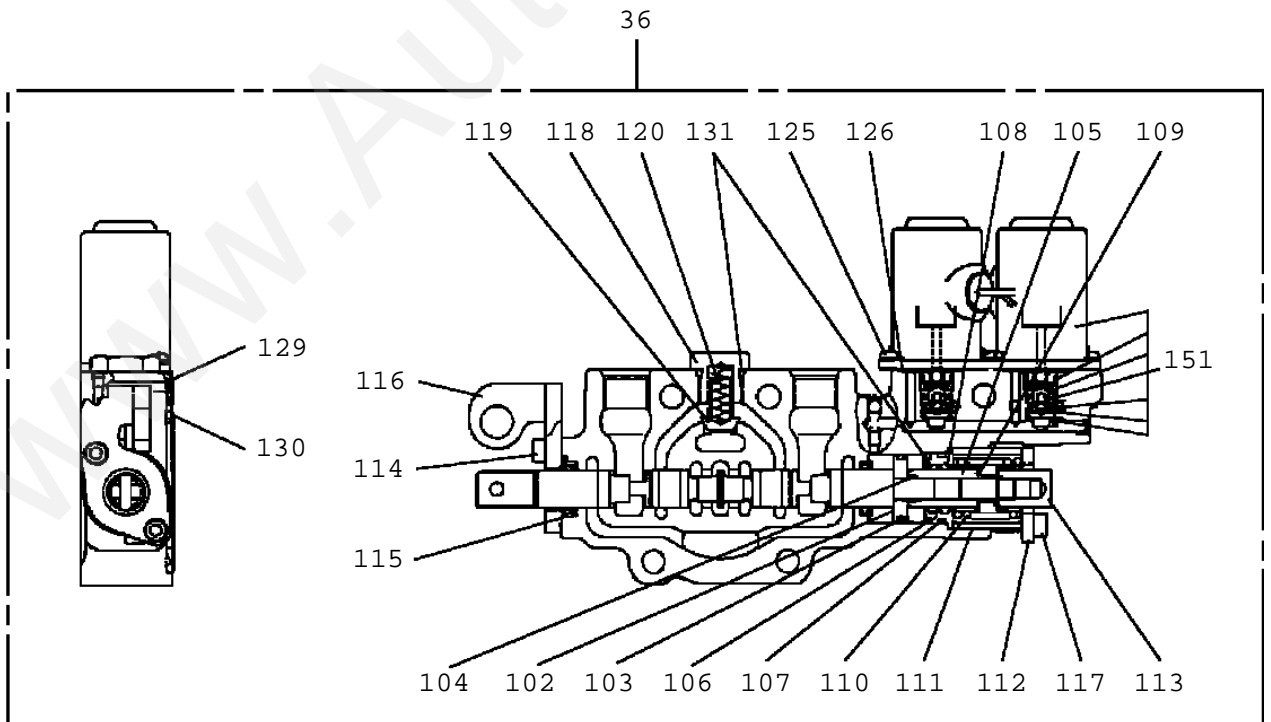
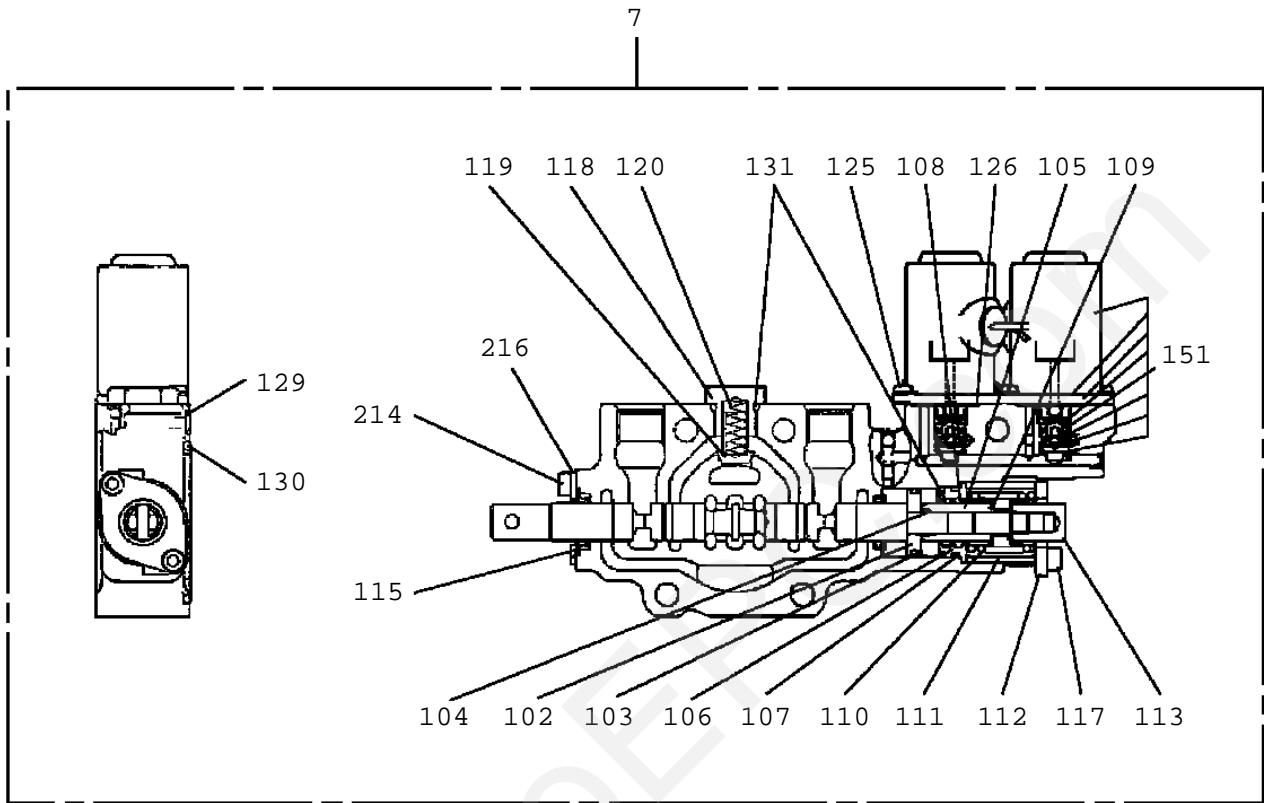
900



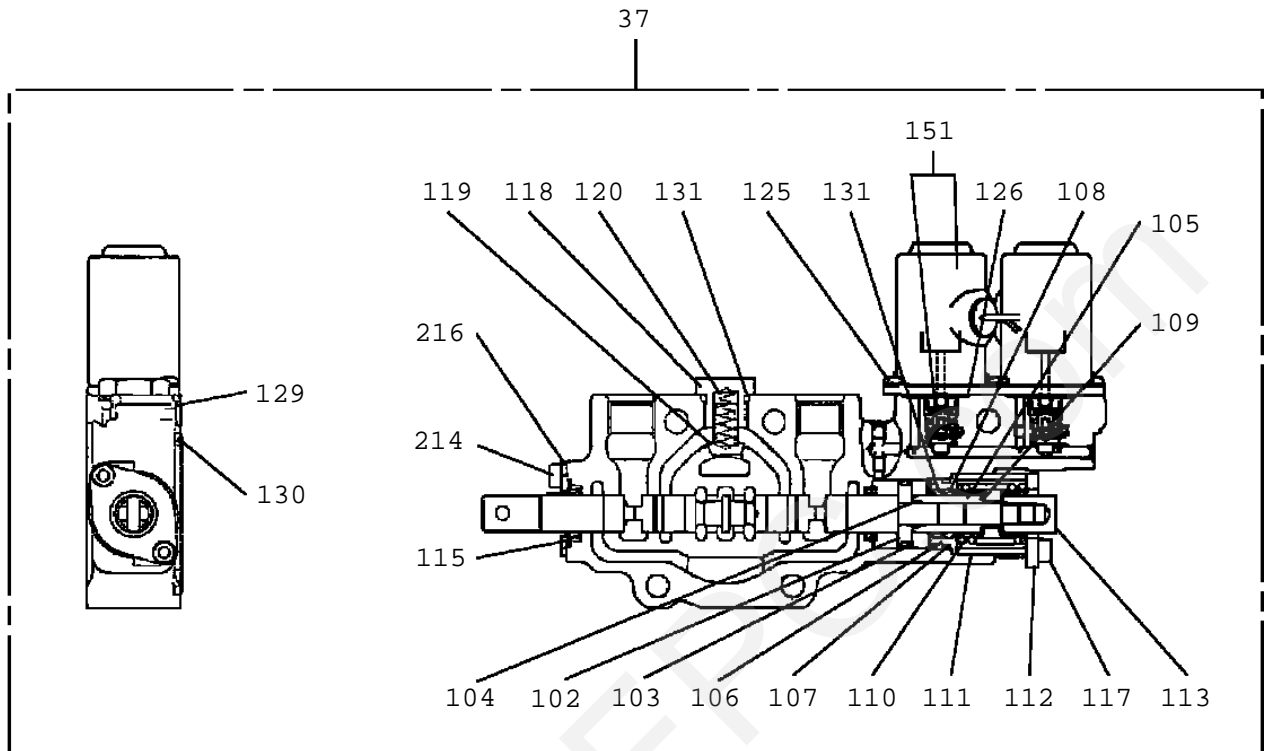
TM-ZR360 41102310070A FRAME/SL, MANUAL, HOOK-IN  
 PV1020386-00 VALVE, REMOTE CONTROL



TM-ZR360 41102310070A FRAME/SL, MANUAL, HOOK-IN  
PV1020386-00 VALVE, REMOTE CONTROL

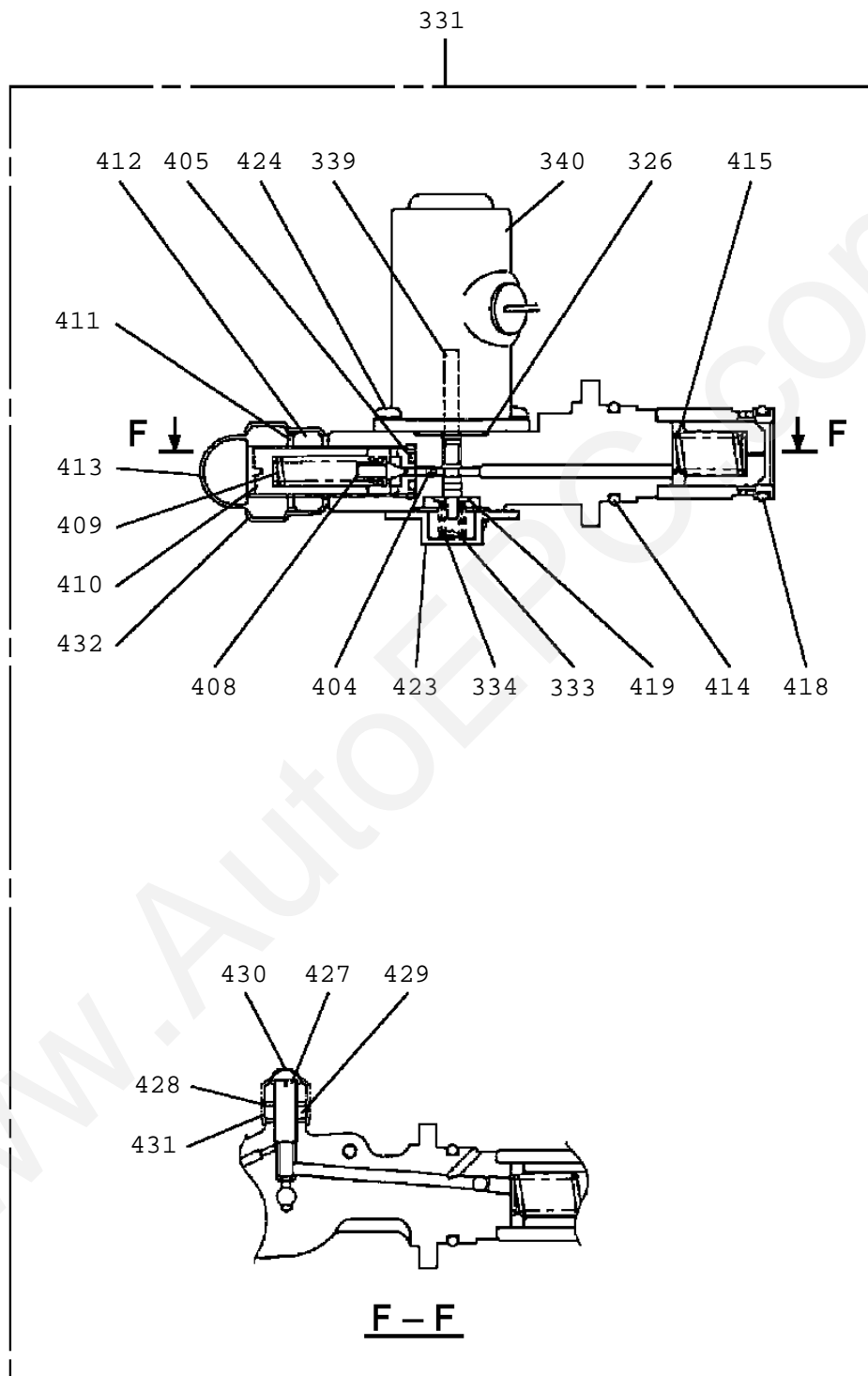


TM-ZR360 41102310070A FRAME/SL, MANUAL, HOOK-IN  
PV1020386-00 VALVE, REMOTE CONTROL





TM-ZR360 41102310070A FRAME/SL, MANUAL, HOOK-IN  
PV1020386-00 VALVE, REMOTE CONTROL



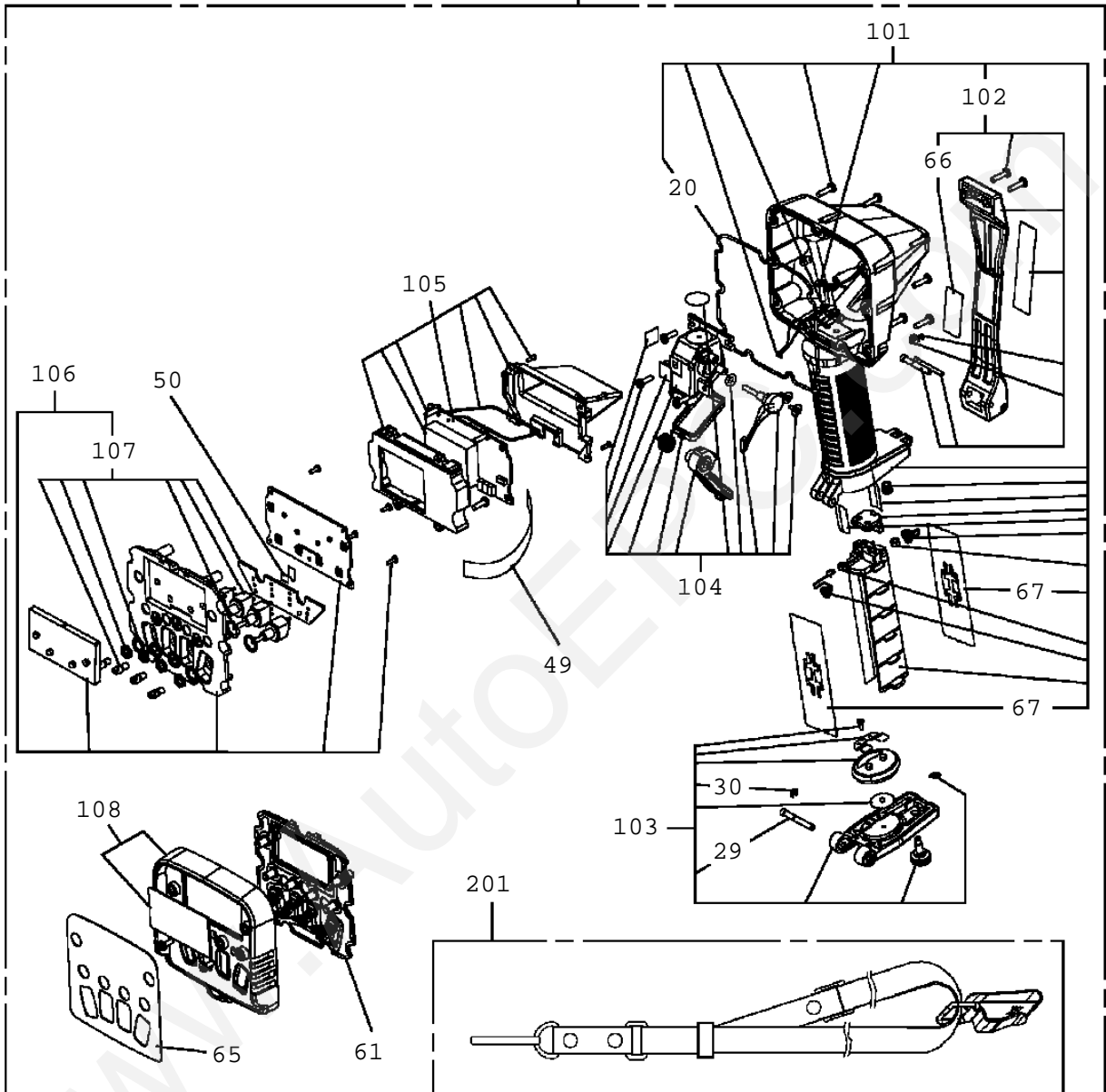
**TM-ZR360 41102310070A FRAME/SL, MANUAL, HOOK-IN**

Pos No.	Parts No	Parts Name	Qty	Unit	Technical Data	Serial No (Start)
1	36645875070	BOLT,TIE	4			
2	90201200800	NUT	4		M8	
3	36648230030	COVER ASSY	1			
4	80316030040	PLUG	1		PT1/4	
5	36645875080	BOLT,TIE (C)	1			
6	36647055030	VALVE,CONTROL	1			
7	36648865060	VALVE,CONTROL	1			
8	36645095040	COVER (BOTTOM)	1			
9	80720104012	PIN,SPRING	1		4X12	
10	36645495080	JOINT	1			
11	90203200800	NUT	1		M8	
14	36647055060	HARNES ASSY (GND)	1			
15	36644015110	CONNECTOR	2			
16	36644015130	TUBE	2			
17	11615111410	BAND	6			
18	36646515060	CONNECTOR	1			
19	36646515070	PLATE	1			
20	36646555030	PLATE	1			
21	36646555020	CONNECTOR (M-8P)	1			
22	36740765040	BAND	1			
23	36646875090	TUBE	4		10B	
24	36645405060	TUBE	1			
25	36062635030	FASTENER	3			
26	90303070401	WASHER,PLAIN	2		4	
27	80192434016	SCREW,MACHINE	1		M4X16	
28	80172104010	SCREW,MACHINE	1		M4X10	
29	36062635050	TUBE,CORRUGATE	1		10	
31	36645615200	PACKING	8			
32	36645615190	PLUG (DUST)	8			
33	91001101100	O-RING	2		1A P11	
34	36644115130	PLUG	2			
35	36640755070	CAP	4			
36	36648865070	VALVE,CONTROL	1			
37	36647055020	VALVE,CONTROL	1			
102	36646865190	PISTON	6			
103	91001102000	O-RING	6		1A P20	
104	91001000800	O-RING	8		S8	
105	36646865200	SPOOL (SUB)	6			
106	36648365110	FLANGE	6			
107	91001002240	O-RING	6		S22.4	
108	91650001400	SCRAPER	6			
109	36645495210	SEAT,SPRING (RETURN)	12			
110	36645845060	SPRING (RETURN)	6			
111	36646865210	SPACER	6			
112	36640625550	PLATE (D)	6			
113	36633365070	ADAPTER	6			
114	36645615230	C-BOLT	12		5X12	
115	36633365100	SEAL,OIL	6			
116	36645845050	LINK	4			
117	36645615250	C-BOLT	12		M5X25	
118	36633365090	CAP (CHECK VALVE)	6			
119	12635101360	SPOOL	6			
120	12635101190	SPRING	6			
125	80172104010	SCREW,MACHINE	24		M4X10	
126	91001002200	O-RING	12		S22	
129	91001100600	O-RING	33		1A P6	
130	91002905500	O-RING	7		1B G55	
131	91001101400	O-RING	20		1A P14	
151	36647055180	VALVE,SOLENOID (KIT)	12			
214	36645615260	C-BOLT	4		M5X8	
216	36633365060	PLATE (B)	2			
310	36647055100	SEAT	1			
311	36647055110	SPRING (A)	1			
312	36647055120	SPRING (B)	1			
317	36647055140	SPRING	1			
318	91001002600	O-RING	2		S26	
319	36640625710	PLUG	2			
320	80560057000	BALL,STEEL	2		1/4	
321	36640625220	SPRING	1			
322	36640625210	CAP	1			
323	36640625260	SPRING	1			
324	80316030020	PLUG	6		PT1/8	
325	36640625240	FILTER	1			
326	91001001800	O-RING	4		S18	

**TM-ZR360 41102310070A FRAME/SL, MANUAL, HOOK-IN**

Pos No.	Parts No	Parts Name	Qty	Unit	Technical Data	Serial No (Start)
327	36641075260	SPRING	1			
329	91001101100	O-RING	1		1A P11	
330	36647055150	PLUG	1			
331	36648230070	VALVE ASSY,RELIEF	1			
333	36635735140	SPRING (B)	2			
334	36635735130	SPRING (A)	2			
335	36647055160	SEAT,SPRING	1			
339	36646865170	ROD,PUSH	2		8	
340	36647055170	SOLENOID ASSY	2			
341	80192434016	SCREW,MACHINE	2		M4X16	
404	36646875150	ORIFICE	1		M3	
405	91002800700	O-RING	1		1B P7	
408	36647175100	SEAT,SPRING	1			
409	36635735120	SPRING	1			
410	12635101130	SCREW (ADJUSTING)	1			
411	11629431040	PACKING	2			
412	36646575090	NUT	1			
413	36630195030	NUT,CAP	1			
414	91001102200	O-RING	1		1A P22	
415	12635101110	SPRING (RETURN)	1			
418	91002802100	O-RING	1		1B P21	
419	36646865160	SEAT,SPRING	1			
423	36646865150	COVER (FOR SOLENOID)	1			
424	80172304010	SCREW,MACHINE	4		M4X10	
427	36640735130	PLUG	1		M6	
428	36642065070	WASHER,SEAL	2			
429	90203200600	NUT	1		M6	
430	36640735140	NUT,CAP	1		M6	
431	36640625680	TUBE (SEAL)	1			
432	16623320390	TUBE (SEAL)	1			
900	36648230001	VALVE,REMOTE CONTROL	1			

300



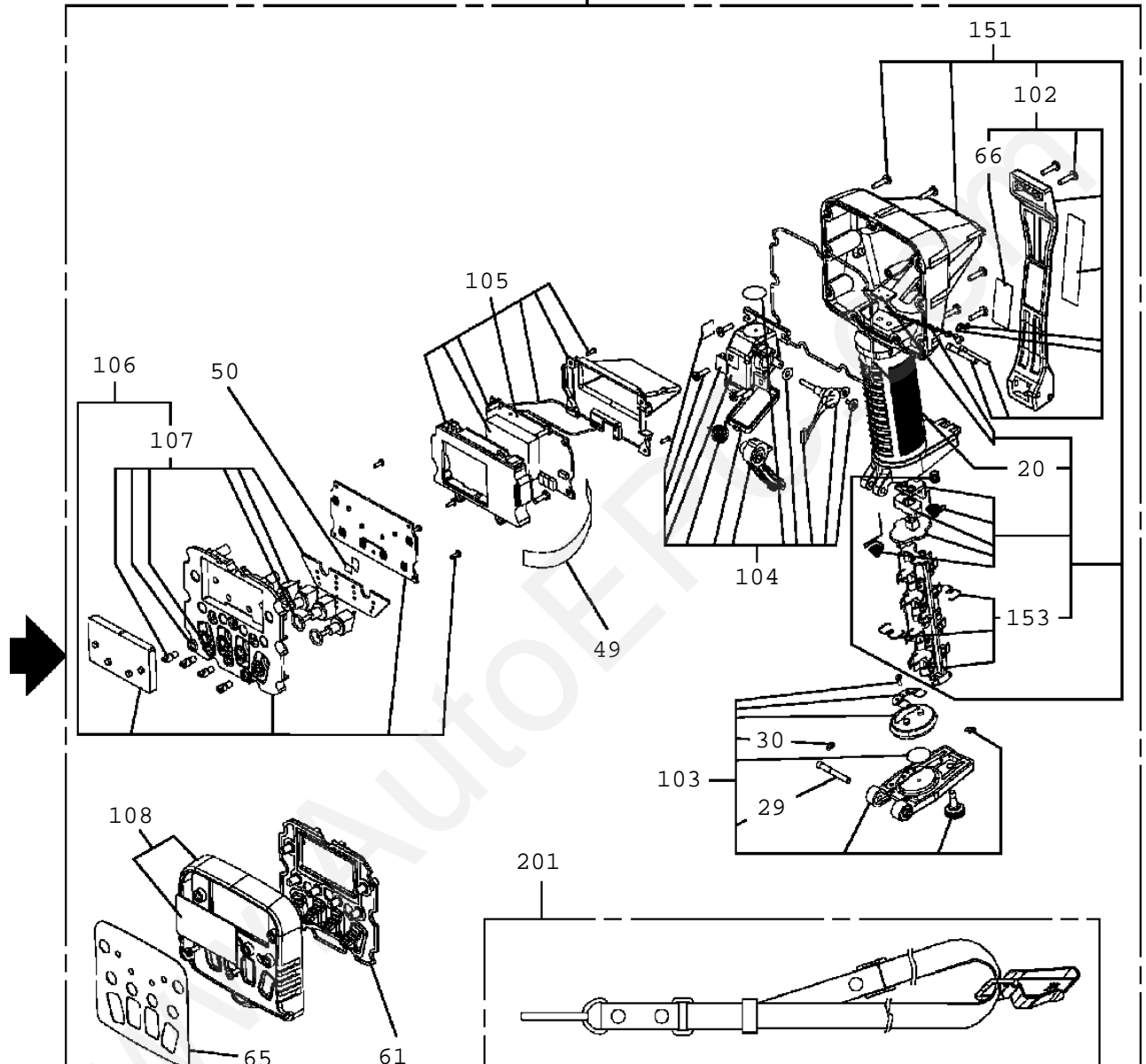
**注意**

1. 本体分解時には、指示番号20の「Oリング（ケース）」を併せて注文ください。
2. 「RF ASSY」を交換する場合は、指示番号66の「ラベル（コクイン）」も併せて注文ください。
3. お送りする「ラベル（コクイン）」には製造番号は印字されていないので記入してください。

**NOTICE**

1. When disassembling the main unit, order a key No.20 [O-RING(CASE)] beforehand.
2. When replacing [RF ASSY] order a Key No.66 [LABEL(SELIAL)] beforehand.
3. Serial No.is not stamped on the [ LABEL(SELIAL)] before shipment. Fill in the blank by yourself.

300



**注意**

1. 本体分解時には、指示番号20の「Oリング (ケース)」を併せて注文ください。
2. 「RF ASSY」を交換する場合は、指示番号66の「ラベル (コクイン)」も併せて注文ください。
3. お送りする「ラベル (コクイン)」には製造番号は印字されていないので記入してください。

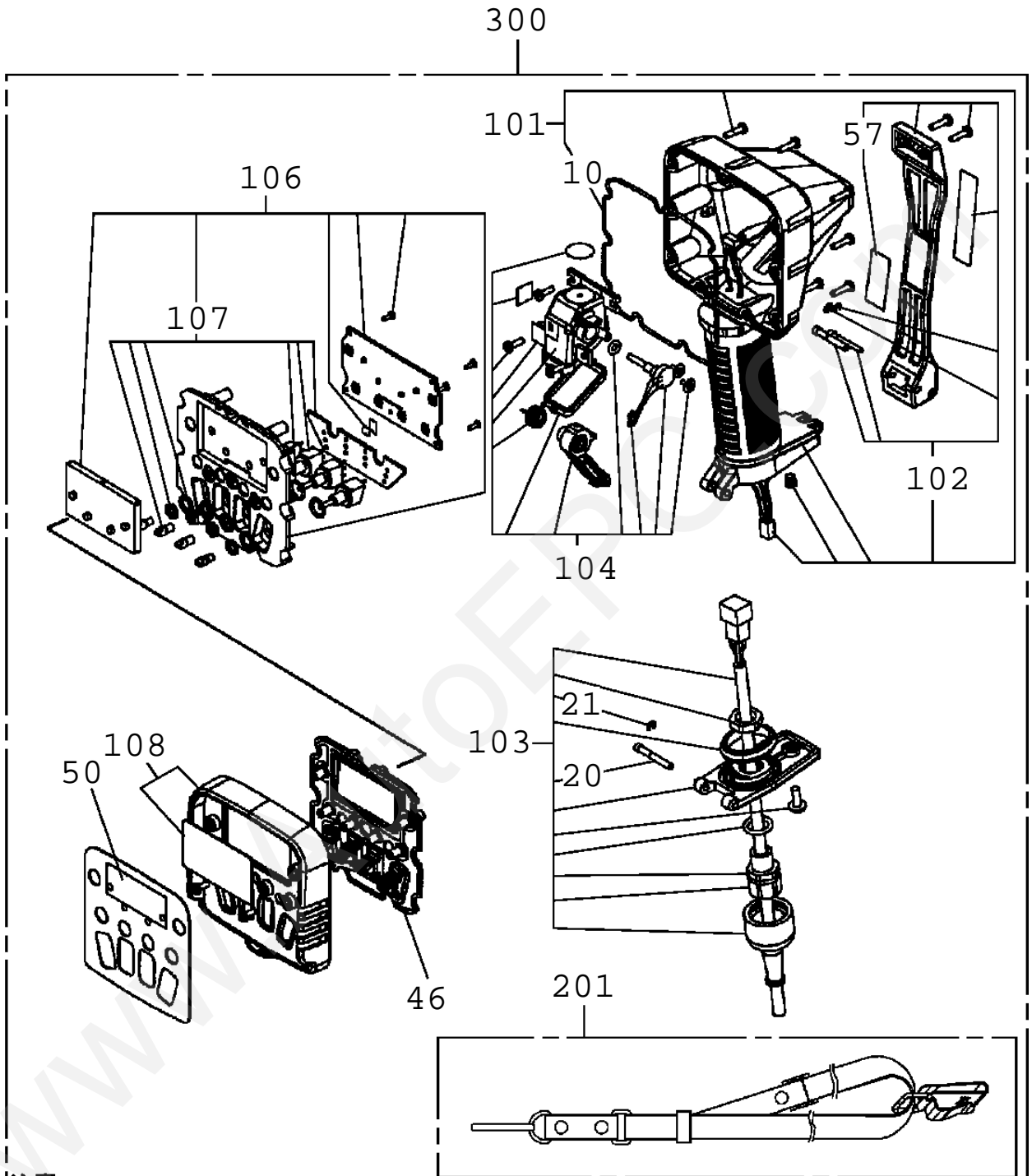
**NOTICE**

1. When disassembling the main unit, order a key No.20 [O-RING(CASE)] beforehand.
2. When replacing [RF ASSY] order a Key No.66 [LABEL(SELIAL)] beforehand.
3. Serial No.is not stamped on the [ LABEL(SELIAL)] before shipment. Fill in the blank by yourself.

**TM-ZR360 41102310070A FRAME/SL,MANUAL,HOOK-IN**

Pos No.	Parts No	Parts Name	Qty	Unit	Technical Data	Ser
20	36804915010	O-RING (CASE)	1			
29	36804915020	PIN	1			
30	36804915030	RING	1			
49	36805795020	HARNESS	1			
50	36805795030	HARNESS	1			
61	36804915060	RUBBER (FRONT)	1			
65	36804915070	PLATE,NAME (TM,STD.)	1			
66	36804915080	LABEL (SERIAL)	1			
102	36804915100	GUARD ASSY (HAND)	1			
103	36804915110	COVER ASSY (BATTERY)	1			
104	36804915120	LEVER ASSY (TRIGGER)	1			
105	36804915130	RF ASSY	1			
106	36804915140	PANEL ASSY (INNER)	1			
107	36804915150	SWITCH ASSY	1			
108	36804915160	CASE ASSY (FRONT)	1			
151	36804917570	CASE ASSY (LOWER)	1			
153	36804917530	HOLDER (BATTERY)	1			
201	36804915170	STRAP	1			
300	36804913000	SWITCH BOX (RADIO CONTROL,LED TYPE)	1			

www.AutoEPC.com



**注意**

1. 本体分解時には、指示番号10の「Oリング(ケース)」を併せて注文ください。
2. お送りする「ラベル(コクイン)」には製造番号は印字されていないので記入してください。

**NOTICE**

1. When disassembling the main unit, order a key No.10 [O-RING(CASE)] beforehand.
2. Serial No.is not stamped on the [ LABEL(SELIAL)] before shipment. Fill in the blank by yourself.

**TM-ZR360 41102310070A FRAME/SL,MANUAL,HOOK-IN**

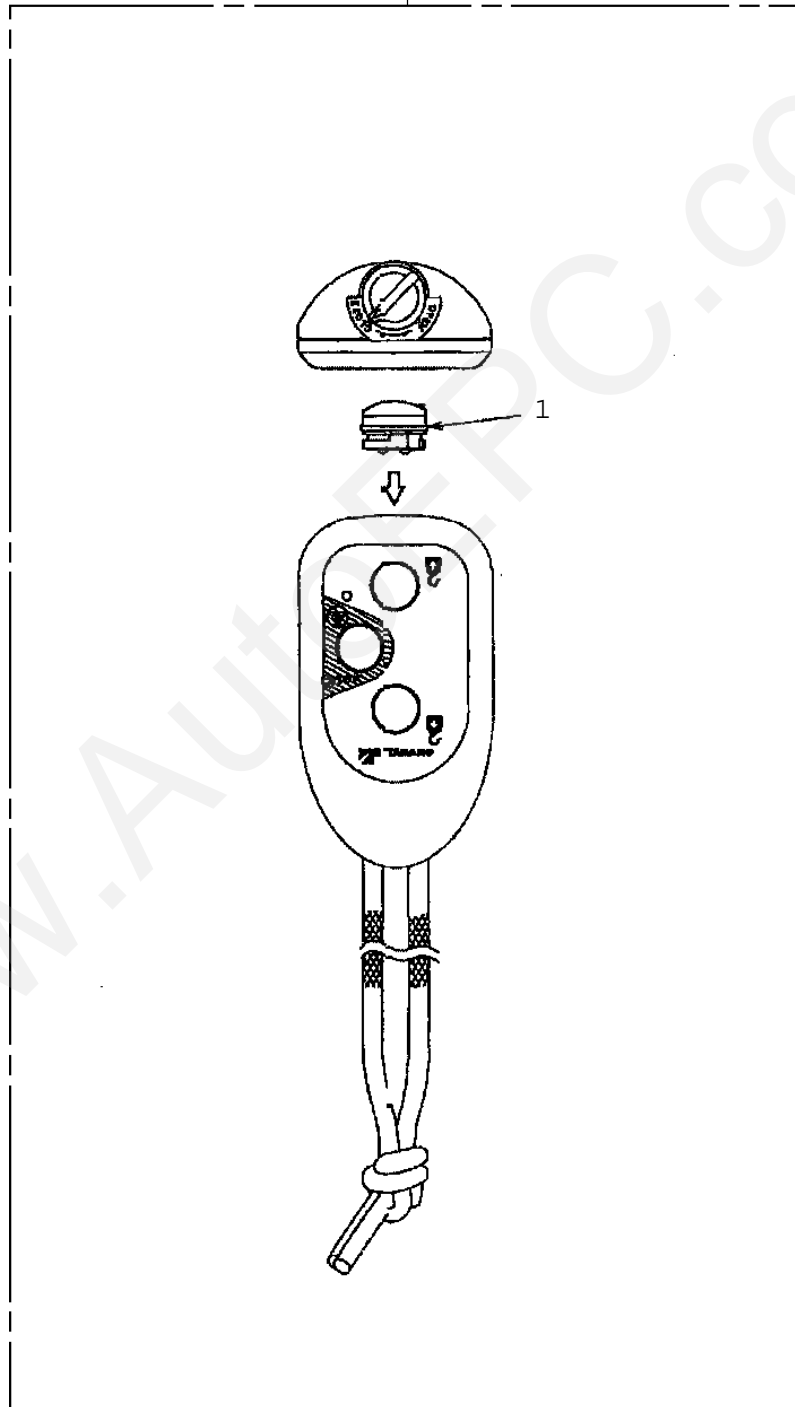
Pos No.	Parts No	Parts Name	Qty	Unit	Technical Data	Serial No (Start)
10	36804915010	O-RING (CASE)	1			
20	36804915020	PIN	1			
21	36804915030	RING	1			
46	36804915060	RUBBER(FRONT)	1			
50	36805005010	PLATE,NAME	1			
57	36804915080	LABEL (SERIAL)	1			
101	36805005020	CASE ASSY(LOWER)	1			
102	36804915100	GUARD ASSY (HAND)	1			
103	36805005040	CABLE ASSY	1			
104	36804915120	LEVER ASSY (TRIGGER)	1			
106	36805005050	PANEL ASSY (INNER)	1			
107	36804915150	SWITCH ASSY	1			
108	36804915160	CASE ASSY (FRONT)	1			
201	36804915170	STRAP	1			
300	36805003000	SWITCH BOX	1			

www.AutoEPC.com



TM-ZR360 41102310070A FRAME/SL, MANUAL, HOOK-IN  
PV1030107-00 SWITCH BOX (SELF WINCH RADIO CONTROL)

50

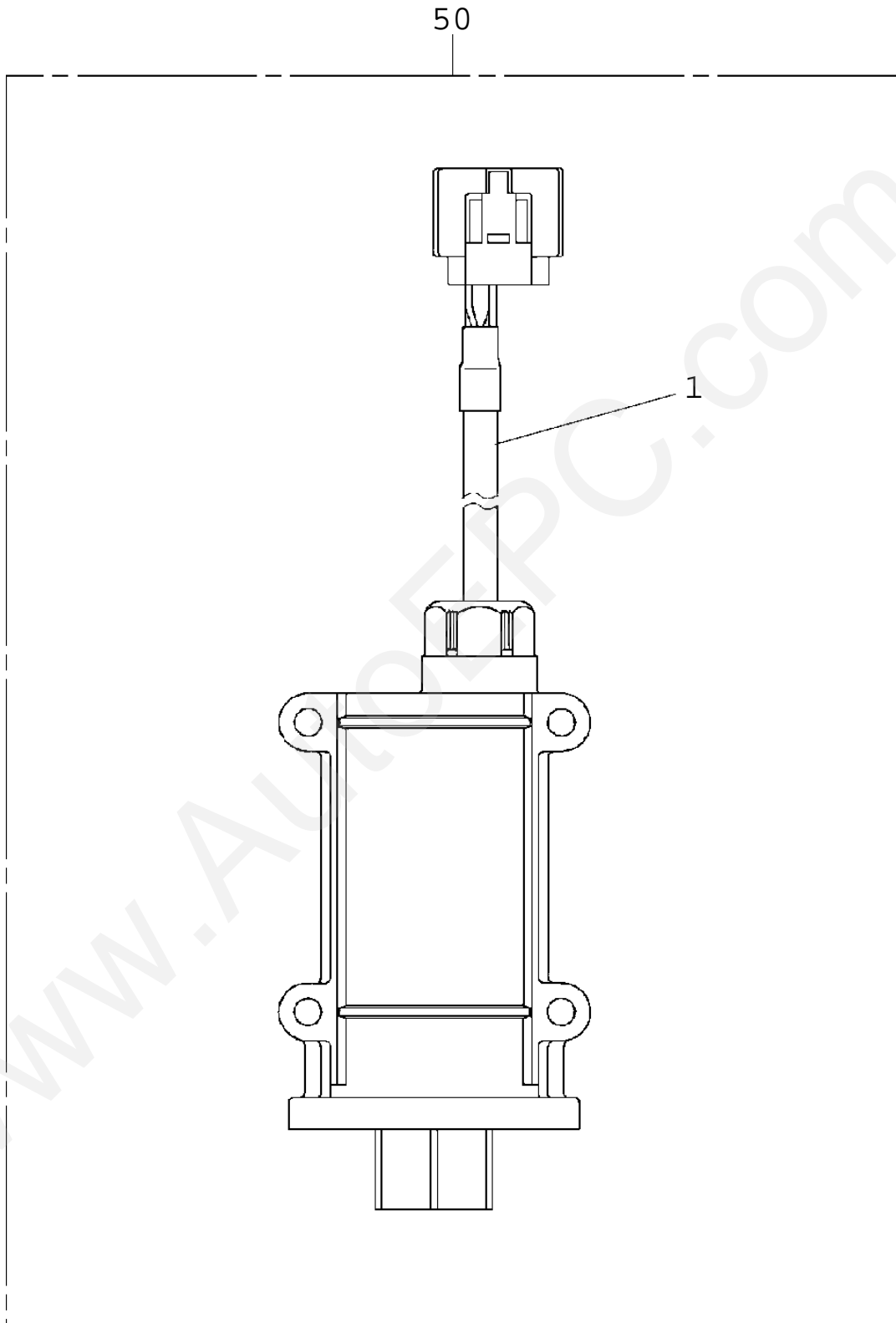


**TM-ZR360 41102310070A FRAME/SL,MANUAL,HOOK-IN**

Pos No.	Parts No	Parts Name	Qty	Unit	Technical Data	S
1	36801785010	CAP ASSY	1			
50	36801781000	SWITCH BOX (SELF WINCH RADIO CONTROL)	1			

www.AutoEPC.com

TM-ZR360 41102310070A FRAME/SL, MANUAL, HOOK-IN  
PV1040032-01 CONTROL BOX (SELF WINCH RADIO CONTROL)



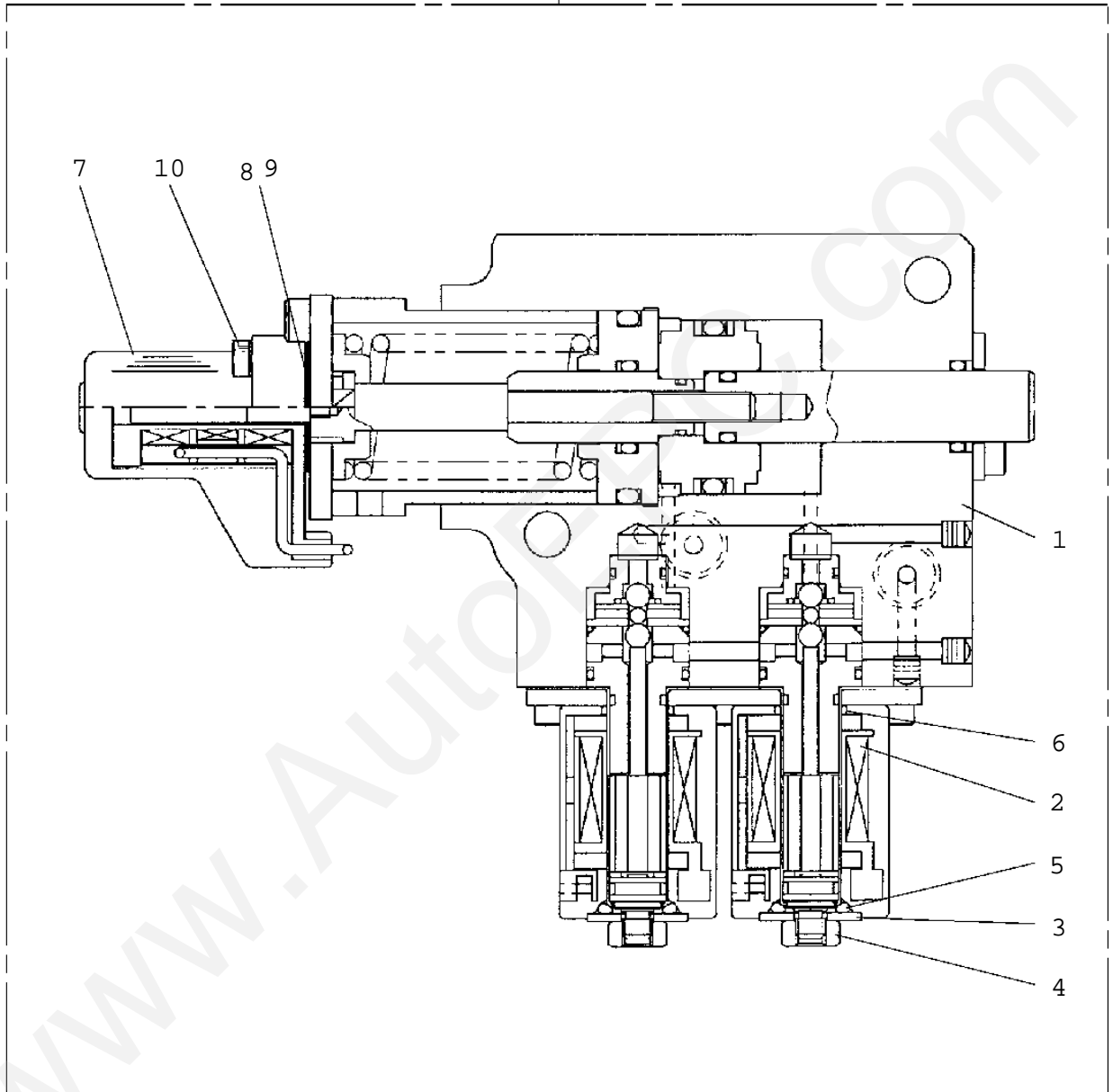
**TM-ZR360 41102310070A FRAME/SL,MANUAL,HOOK-IN**

Pos No.	Parts No	Parts Name	Qty	Unit	Technical Data
1	36801785020	CABLE ASSY	1		
50	36801823000	CONTROL BOX (SELF WINCH RADIO CONTROL)	1		

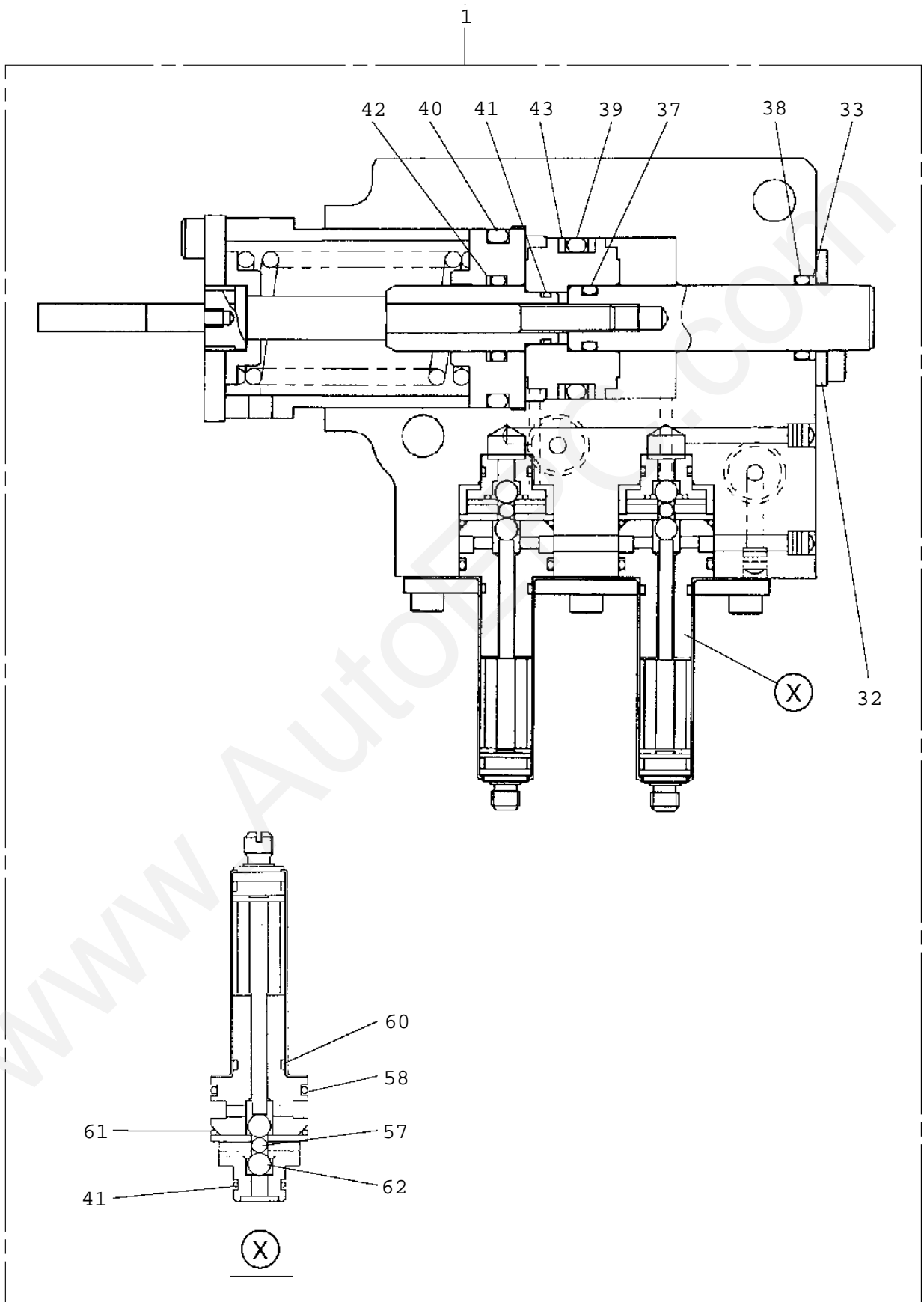
www.AutoEPC.com

TM-ZR360 41102310070A FRAME/SL, MANUAL, HOOK-IN  
PV1050012-00 CYLINDER, ACCELERATOR

100



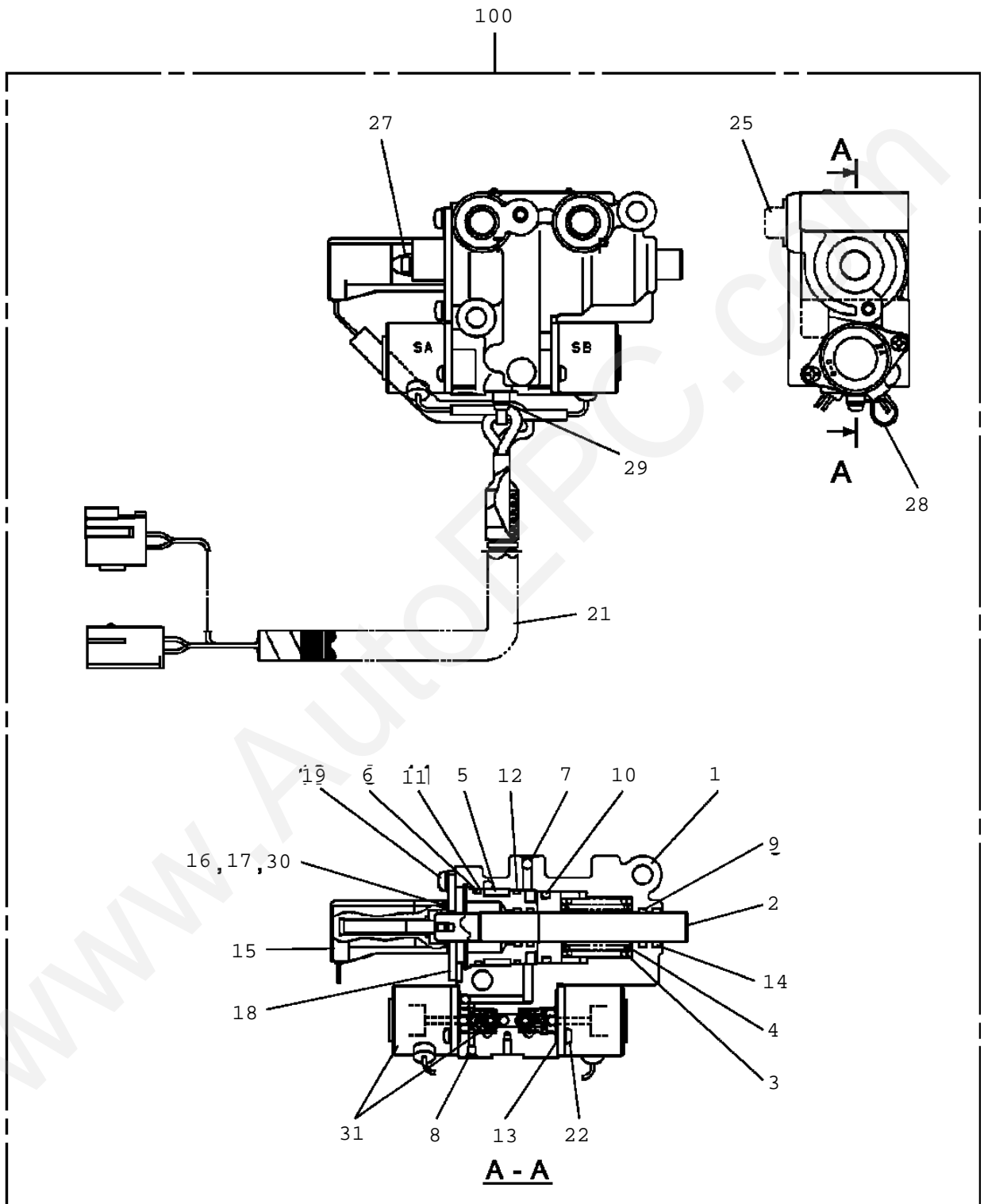
TM-ZR360 41102310070A FRAME/SL, MANUAL, HOOK-IN  
PV1050012-00 CYLINDER, ACCELERATOR



**TM-ZR360 41102310070A FRAME/SL,MANUAL,HOOK-IN**

Pos No.	Parts No	Parts Name	Qty	Unit	Technical Data	Serial
1	36062805010	BODY KIT (ACCEL.. POSITIONER)	1			
2	36647985160	COIL,SOLENOID	2			
3	36647645050	WASHER	2			
4	36647645060	NUT	2			
5	91001101100	O-RING	2		1A P11	
6	91001001200	O-RING	2		1A S12	
7	36647985170	COIL	1			
8	36642415300	SHIM (T=0.5)	2			
9	36642415310	SHIM (T=0.2)	2			
10	36062805020	BOLT,HEXAGON SOCKET (WITH WASHER)	2			
32	36642415320	PLATE	1			
33	36642415220	RING,BACKUP	1			
37	91001101001	O-RING	1		1A P10A	
38	91001101400	O-RING	2		1A P14	
39	91001102800	O-RING	1		1A P28	
40	91002803200	O-RING	1		1B P32	
41	91001000900	O-RING	3		S9	
42	91411001400	RING,BACKUP	1		P14	
43	91411002800	RING,BACKUP	2		P28	
57	36647285340	BALL,STEEL	2			
58	91000501700	O-RING	2			
60	36647285350	O-RING	2			
61	91001001800	O-RING	2		S18	
62	80560055000	BALL,STEEL	4		3/16	
100	36062800000	CYLINDER,ACCELERATOR	1			

TM-ZR360 41102310070A FRAME/SL, MANUAL, HOOK-IN  
PV1050013-01 CYLINDER, ACCELERATOR





**TM-ZR360 41102310070A FRAME/SL,MANUAL,HOOK-IN**

Pos No.	Parts No	Parts Name	Qty	Unit	Technical Data	Serial No (Sta
1	36062745010	BODY	1			
2	36062825010	ROD ASSY	1			
3	36062745030	SPRING (A)	1			
4	36062745040	SPRING (B)	1			
5	36062745050	COVER (SEAL)	1			
6	80602110380	RING,RITAINING	1		R38	
7	36648375020	BALL,STEEL	9		3/16	
8	36648375030	BALL,STEEL	5		5/32	
9	91001101400	O-RING	2		1A P14	
10	91001102800	O-RING	1		1A P28	
11	91001003200	O-RING	1		1A S32	
12	91001003150	O-RING	1		1A S31.5	
13	91001002200	O-RING	2		S22	
14	91650001400	SCRAPER	2			
15	36062445011	LVDT ASSY (A/WITH CORE,)	1			
16	36644015220	SHIM (T=0.2)	2			
17	36644015230	SHIM (T=0.3)	2			
18	36062745060	FLANGE	1			
19	80172105008	SCREW,MACHINE	2		M5X8	
21	36062635050	TUBE,CORRUGATE	1		10	
22	80172104010	SCREW,MACHINE	5		M4X10	
25	36081315130	PROTECTOR (THREAD)	2			
27	36645405100	BOLT	2		M4X22	
28	36062635030	FASTENER	1			
29	90303070401	WASHER,PLAIN	1		4	
30	36645405110	SHIM (T=1.0)	1			
31	36062745080	VALVE,SOLENOID	1			
100	36062820000	CYLINDER,ACCELERATOR	1			

TM-ZR360 41102310070A FRAME/SL,MANUAL,HOOK-IN  
PV1070295-01 RADIO CONTROL (LED)

指示番号 KEY NO.	ラジオコントロール (キット:LEDシヨウ) RADIO CONTROL (KIT:LED)
1	コントロール ユニット CONTROL UNIT
2	アンテナ ANTENNA
4	ハイセンASSY ELEC.ASSY
5	ボックス,ストローイング BOX,STOWING
11	スイッチ ボックス SWITCH BOX
12	プレートASSY,ネーム PLATE ASSY,NAME

**TM-ZR360 41102310070A FRAME/SL,MANUAL,HOOK-IN**

Pos No.	Parts No	Parts Name	Qty	Unit	Technical Data	S
1	36804911001	CONTROL UNIT	1			
2	36804912000	ANTENNA (FOR RADIO CONTROL)	1			
4	(*****)	ELEC.ASSY (ANTENNA)	1			
5	36804914000	BOX,STOWING	1			
11	36804913000	SWITCH BOX (RADIO CONTROL,LED TYPE)	1			
12	(*****)	PLATE ASSY,NAME	1			

www.AutoEPC.com

TM-ZR360 41102310070A FRAME/SL, MANUAL, HOOK-IN  
PV1070398-00 RADIO CONTROL (KIT:MITSUMI)

指示番号 KEY NO.	ラジオコントロール (キット:ミツミセイ) RADIO CONTROL (KIT:MITSUMI)
1	スイッチボックス SWITCH BOX
2	アンテナ ANTENNA
3	コントロールユニット CONTROL UNIT

**TM-ZR360 41102310070A FRAME/SL,MANUAL,HOOK-IN**

Pos No.	Parts No	Parts Name	Qty	Unit	Technical Data
1	36801781000	SWITCH BOX (SELF WINCH RADIO CONTROL)	1		
2	36801782000	ANTENNA (FOR RADIO CONTROL)	1		
3	36801823000	CONTROL BOX (SELF WINCH RADIO CONTROL)	1		

www.AutoEPC.com

TM-ZR360 41102310070A FRAME/SL,MANUAL,HOOK-IN  
PV1070456-00 RADIO CONTROL (F,KIT/RCS-FC1)

指示番号 KEY NO.	ラジオコントロール (Fキット,キット/RCS-FC1) RADIO CONTROL (F,KIT/RCS-FC1)
1	アンテナ ANTENNA
3	ハイセンASSY ELEC.ASSY
4	ボックス ストッキング BOX STOWING
11	スイッチ ボックス SWITCH BOX
12	プレートASSY,ネーム PLATE ASSY,NAME

**TM-ZR360 41102310070A FRAME/SL,MANUAL,HOOK-IN**

Pos No.	Parts No	Parts Name	Qty	Unit	Technical Data	S
1	36804912000	ANTENNA (FOR RADIO CONTROL)	1			
3	(*****)	ELEC.ASSY (ANTENNA)	1			
4	36804914000	BOX,STOWING	1			
11	36804913000	SWITCH BOX (RADIO CONTROL,LED TYPE)	1			
12	(*****)	PLATE ASSY,NAME	1			

www.AutoEPC.com

TM-ZR360 41102310070A FRAME/SL, MANUAL, HOOK-IN  
 PV1070467-00 RADIO CONTROL

指示番号 KEY NO.	ラジ オ コントロール (Fカ タ, トクシヨウカ タ) RADIO CONTROL
1	ラジ オ コントロール RADIO CONTROL
2	オペ . ASSY, ソウサハ ルフ OPE. ASSY, CONT. VALVE
3	ハイセンASSY ELEC. ASSY
4	ハイセンASSY (メインハーネス, 4レンハ ルフ カンハーネスツイカ) ELEC. ASSY
5	ハ イピ ング , ロー (リモコンハ ルフ /フジ コシ) PIPING, LOWER (REMOTE CONT. VALVE/NACHI)
6	ハ イピ ング , ロー (フィルタコウカン) PIPING, LOWER (REPLACE FILTER)
7	プ レートASSY, ネーム PLATE ASSY, NAME



**TM-ZR360 41102310070A FRAME/SL,MANUAL,HOOK-IN**

Pos No.	Parts No	Parts Name	Qty	Unit	Technical Data
1	(***** )	RADIO CONTROL (LED)	1		
2	(***** )	OPE.ASSY,CONT.VALVE (RADIO CONTROL)	1		
3	(***** )	ELEC.ASSY	1		
4	(***** )	ELEC.ASSY	1		
5	(***** )	PIPING,LOWER (REMOTE CONT.VALVE/NACHI)	1		
	(***** )	PIPING,LOWER (REMOTE CONT.VALVE/SANWA)	1		
6	(***** )	PIPING,LOWER (REPLACE FILTER)	1		
7	(***** )	PLATE ASSY,NAME (HOOK-IN/HOOK STOWING)	1		

www.AutoEPC.com

TM-ZR360 41102310070A FRAME/SL, MANUAL, HOOK-IN  
PV1090040-00 PARTS, AWL(2-4SECT./RADICON OR M, HOOK-IN)

指示番号 KEY NO.	パーツ, AWL (2-4セクション/ラジコンORマニュアルフックイン: ニンイ) PARTS, AWL (2-4 SECT./RADICON OR M, HOOK-IN)
1	ハイセンASSY (アツハ-) ELEC. ASSY (UPPER)
2	マウント MOUNT
3	プレートASSY, ネーム (アツハ-) PLATE ASSY, NAME (UPPER)
4	ディテクタ, ブーム レンクス DETECTOR, BOOM LENGTH
6	モーメント リミッタ MOMENT LIMITER
8	ハイセンASSY (ヨビ デンゲンヨウハーネス) ELEC. ASSY (HARNESS FOR STANDBY POWER)

**TM-ZR360 41102310070A FRAME/SL,MANUAL,HOOK-IN**

Pos No.	Parts No	Parts Name	Qty	Unit	Technical Data
1	(*****)	ELEC.ASSY (UPPER)	1		
2	(*****)	MOUNT (BOOM)	1		
3	(*****)	PLATE ASSY,NAME (UPPER)	1		
4	(*****)	DETECTOR,BOOM LENGTH (MOUNT)	1		
6	36194660000	MOMENT LIMITER (BML)	1		
8	(*****)	ELEC.ASSY (HARNESS FOR STANDBY POWER)	1		

www.AutoEPC.com

TM-ZR360 41102310070A FRAME/SL, MANUAL, HOOK-IN  
 PV1090041-00 PARTS, AWL(5,6 SECT./RADICON OR M, HOOK-IN)

指示番号 KEY NO.	パーツ, AWL (5,6セクション/ラジコンORマニュアルフックイン: ニンイ) PARTS, AWL (5,6 SECT./RADICON OR M, HOOK-IN)
1	ハイセンASSY (アツハ-) ELEC. ASSY (UPPER)
2	マウント MOUNT
3	プレートASSY, ネーム (アツハ-) PLATE ASSY, NAME (UPPER)
4	ディテクタ, ブーム レンクス DETECTOR, BOOM LENGTH
6	モーメント リミッタ MOMENT LIMITER
8	ハイセンASSY (ヨビ デンゲンヨウハーネス) ELEC. ASSY (HARNESS FOR STANDBY POWER)

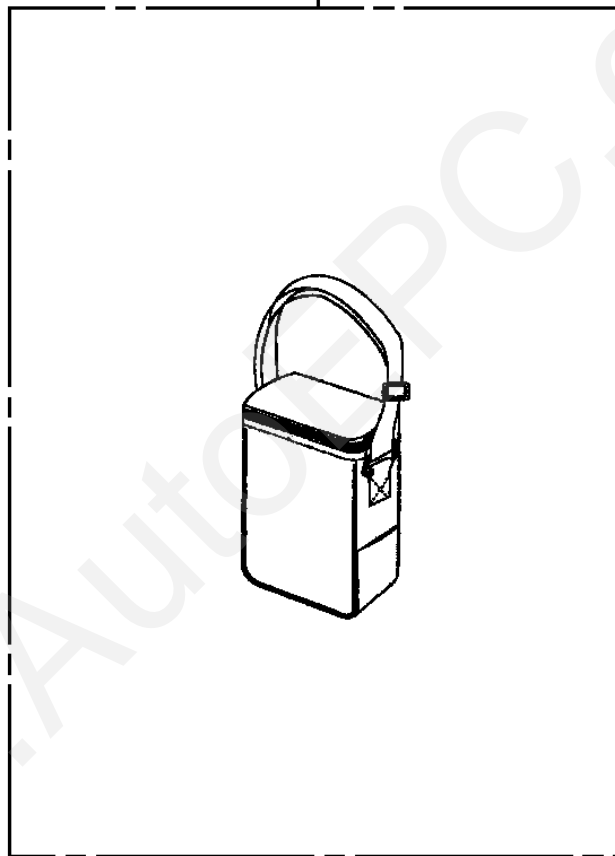
**TM-ZR360 41102310070A FRAME/SL,MANUAL,HOOK-IN**

Pos No.	Parts No	Parts Name	Qty	Unit	Technical Data
1	(***** )	ELEC.ASSY (UPPER)	1		
2	(***** )	MOUNT (BOOM)	1		
3	(***** )	PLATE ASSY,NAME (UPPER)	1		
4	(***** )	DETECTOR,BOOM LENGTH (MOUNT)	1		
6	36194660000	MOMENT LIMITER (BML)	1		
8	(***** )	ELEC.ASSY (HARNESS FOR STANDBY POWER)	1		

www.AutoEPC.com

TM-ZR360 41102310070A FRAME/SL, MANUAL, HOOK-IN  
PV1250013-00 BOX, STOWING

10

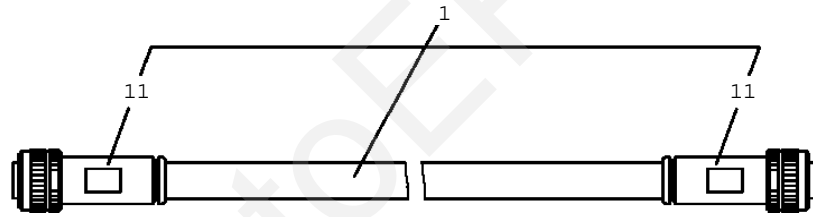


**TM-ZR360 41102310070A FRAME/SL,MANUAL,HOOK-IN**

Pos No.	Parts No	Parts Name	Qty	Unit	Technical Data	Serial No (Start)	Serial N
10	36804914000	BOX,STOWING	1				

www.AutoEPC.com

TM-ZR360 41102310070A FRAME/SL, MANUAL, HOOK-IN  
PV1300011-01 CABLE (ANTENNA 2M)



www.AutoLEPC.com



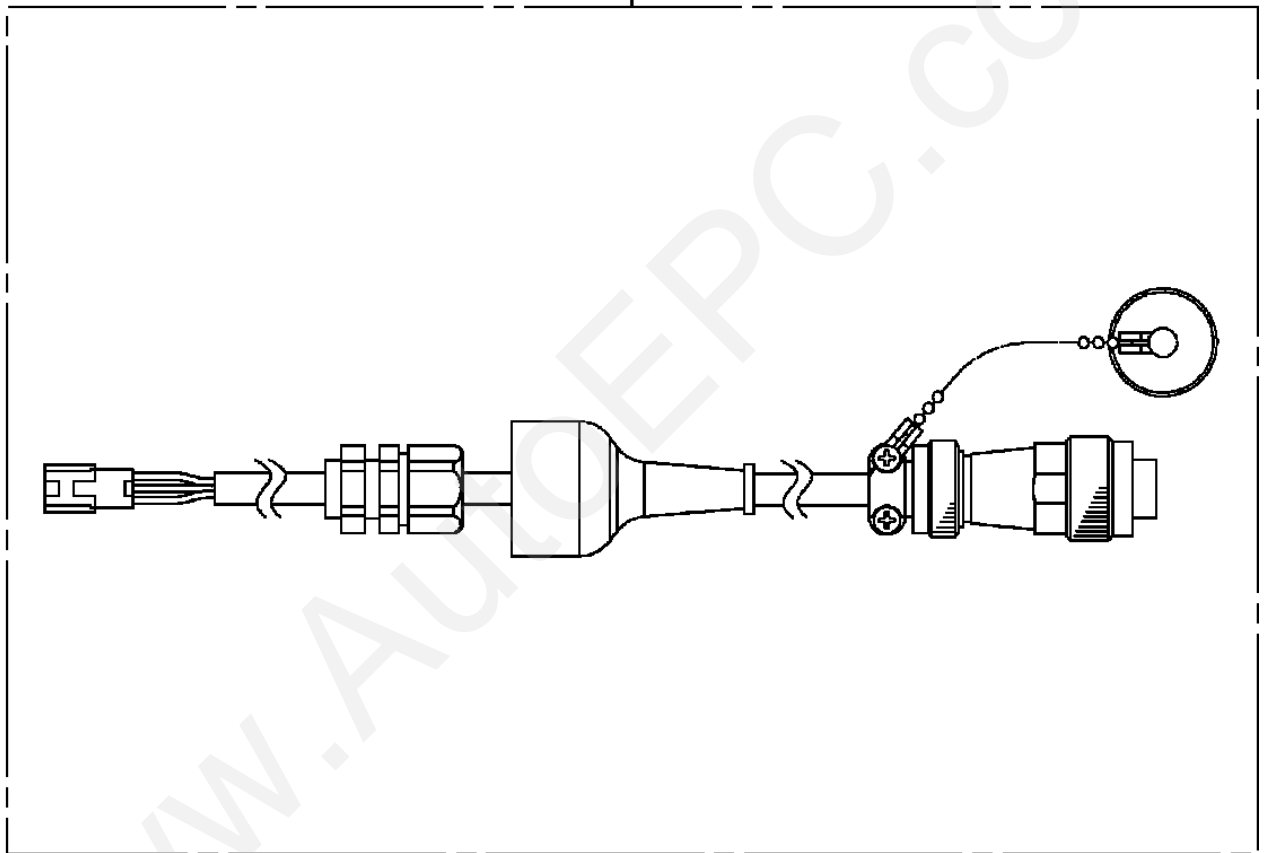
**TM-ZR360 41102310070A FRAME/SL, MANUAL, HOOK-IN**

Pos No.	Parts No	Parts Name	Qty	Unit	Technical Data	Serial No (Start)	Serial No
1	31653110200	CABLE ASSY	1		L=2000		
11	82100002385	CONNECTOR	2				

www.AutoEPC.com

TM-ZR360 41102310070A FRAME/SL, MANUAL, HOOK-IN  
PV1300018-00 CABLE (F-REMOTE CONTROL, 20M)

10

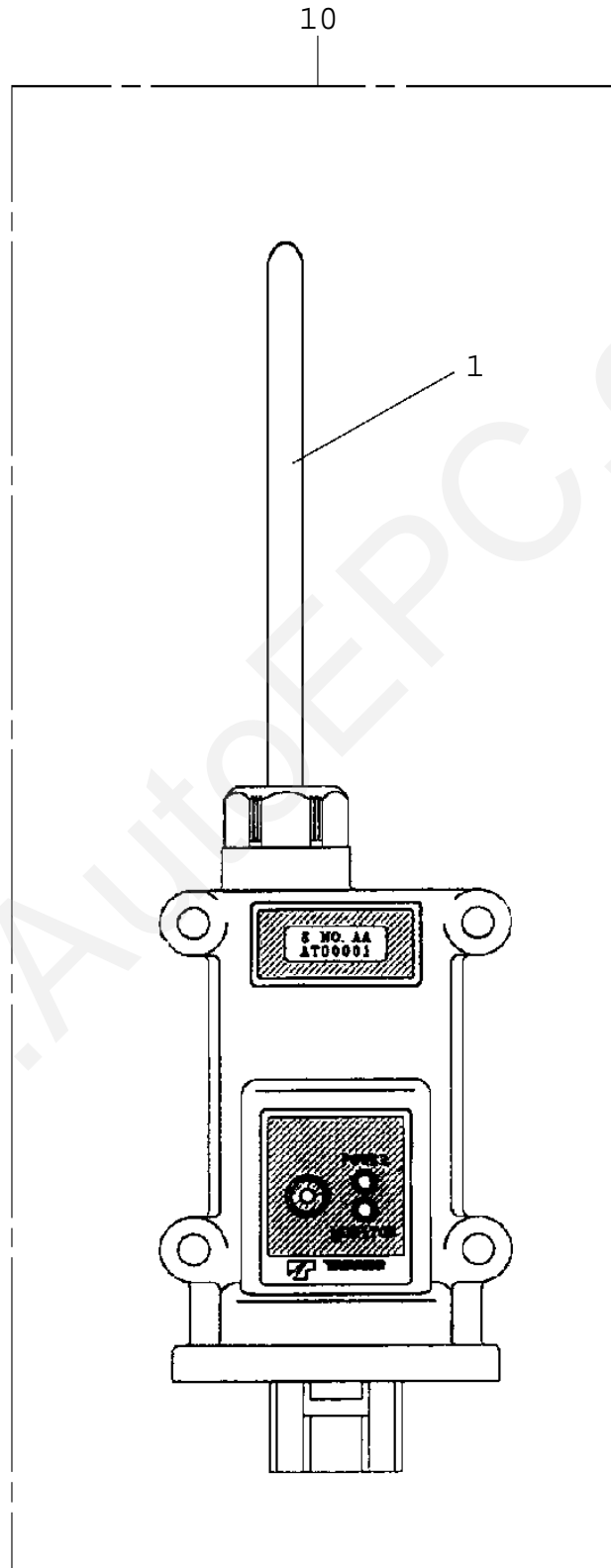


**TM-ZR360 41102310070A FRAME/SL,MANUAL,HOOK-IN**

Pos No.	Parts No	Parts Name	Qty	Unit	Technical Data	Serial No
10	36805780000	CABLE (F-REMOTE CONTROL,20M)	1			

www.AutoEPC.com

TM-ZR360 41102310070A FRAME/SL, MANUAL, HOOK-IN  
PV1400021-01 ANTENNA (FOR RADIO CONTROL)

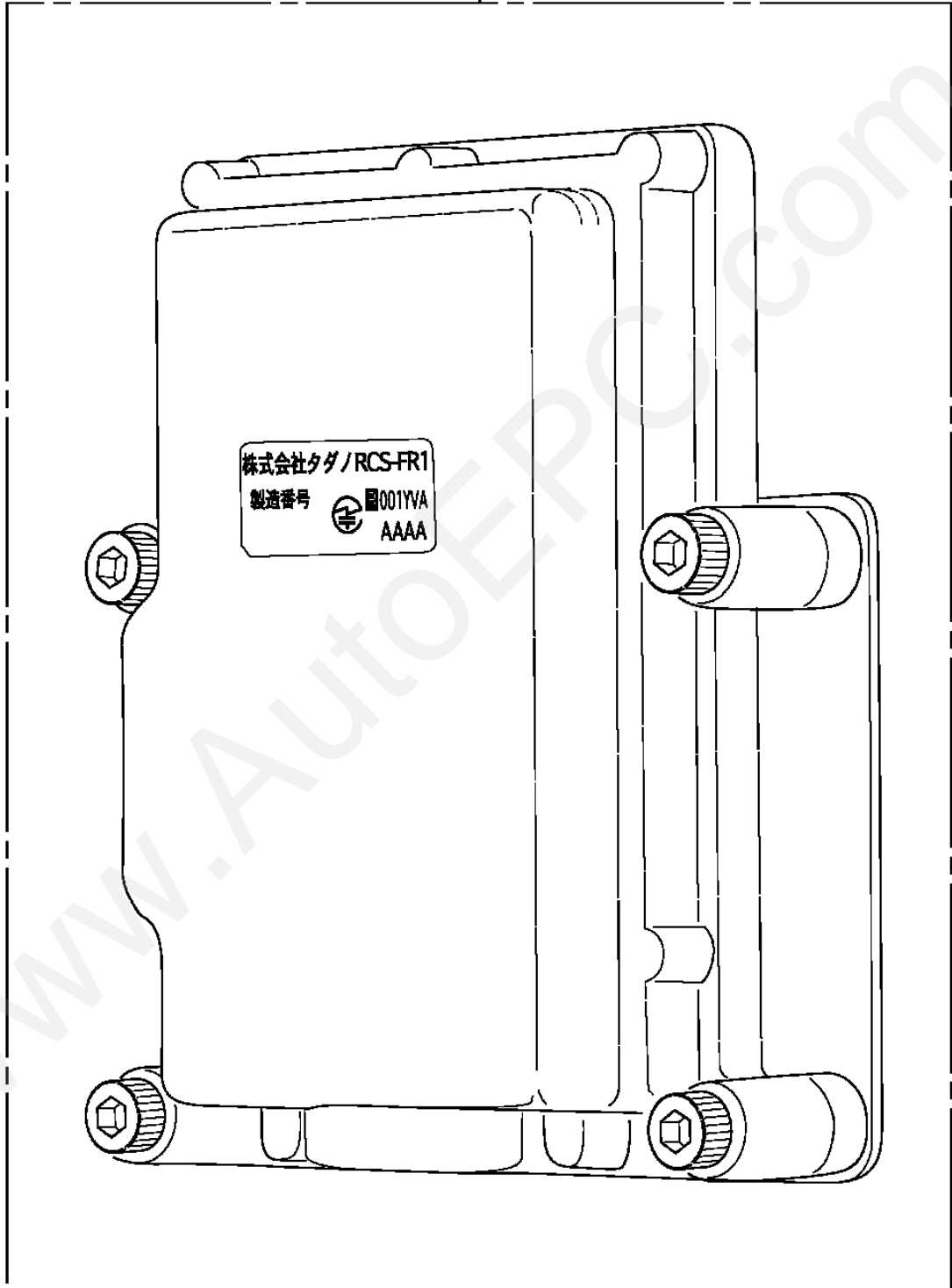


**TM-ZR360 41102310070A FRAME/SL,MANUAL,HOOK-IN**

Pos No.	Parts No	Parts Name	Qty	Unit	Technical Data	Serial No (
1	36801785030	ELEMENT	1			
10	36801782000	ANTENNA (FOR RADIO CONTROL)	1			

www.AutoEPC.com

10

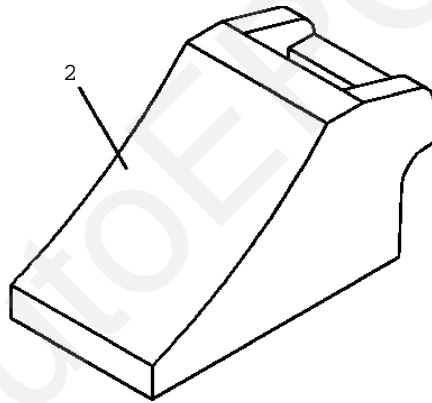


**TM-ZR360 41102310070A FRAME/SL,MANUAL,HOOK-IN**

Pos No.	Parts No	Parts Name	Qty	Unit	Technical Data	Serial No (
10	36804912000	ANTENNA (FOR RADIO CONTROL)	1			

www.AutoEPC.com

TM-ZR360 41102310070A FRAME/SL, MANUAL, HOOK-IN  
PW1050011-00 STOPPER, TIRE



www.AUTOEPC.com

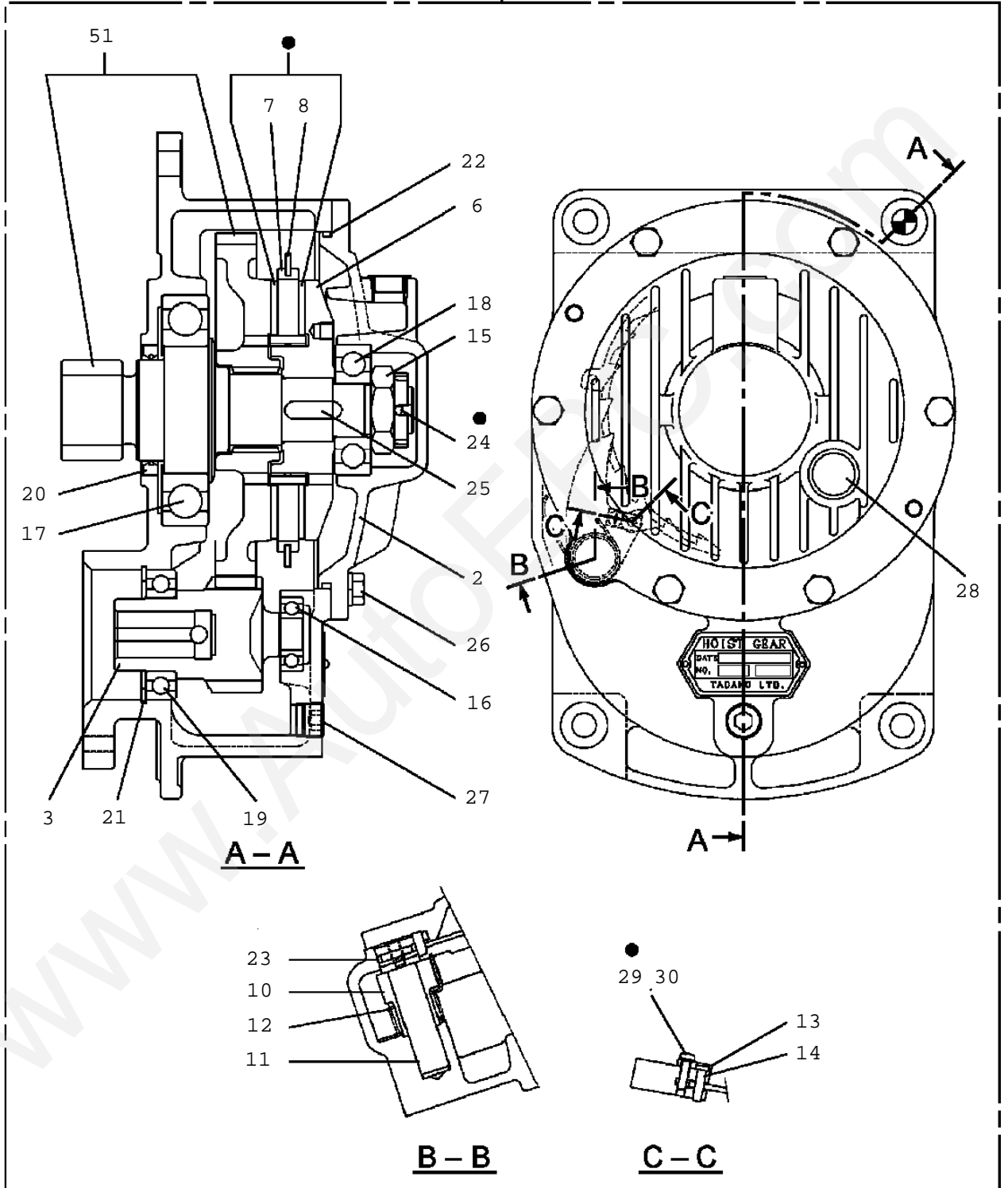


**TM-ZR360 41102310070A FRAME/SL,MANUAL,HOOK-IN**

Pos No.	Parts No	Parts Name	Qty	Unit	Technical Data	Serial No (Start)	Serial :
2	42461050200	STOPPER,TIRE	1				

www.AutoEPC.com

100



- : FACING KIT KEY NO.101 ( JAPANESE )
- : FACING KIT KEY NO.102 ( ENGLISH )



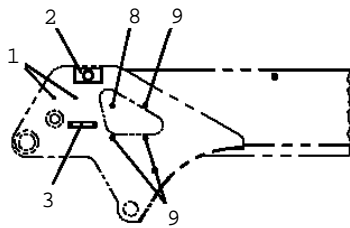
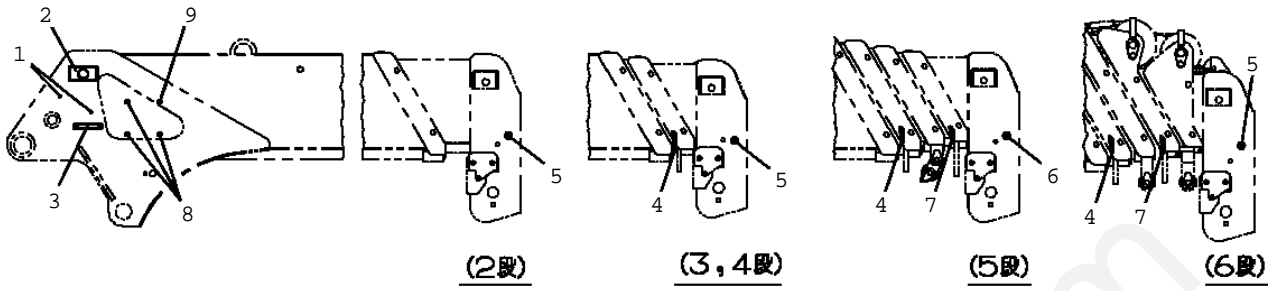
● Protective seal

● Replacement interval name plate

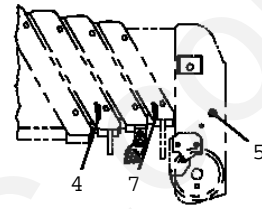
**TM-ZR360 41102310070A FRAME/SL, MANUAL, HOOK-IN**

Pos No.	Parts No	Parts Name	Qty	Unit	Technical Data	Serial No (Start)
2	36073085020	COVER	1			
3	36073815010	GEAR, SPUR	1			
6	36073085061	BRAKE, DISK	1			
7	36073085072	WHEEL, RATCHET	1			
8	36073085080	RING (C)	1			
10	36073085090	RATCHET	1			
11	36073085100	SHAFT	1			
12	36073085111	SPRING	1			
13	36073085120	CAP	1			
14	36073085130	PIN	1			
15	36073085140	NUT	1			
16	80500006202	BEARING, BALL	1			
17	80500006211	BEARING, BALL	1			
18	80500006305	BEARING, BALL	1			
19	80500006007	BEARING, BALL	1			
20	36073085150	SEAL, OIL	1			
21	80602110620	RING, RITAINING	1		R62	
22	36071195200	O-RING	1			
23	91001101500	O-RING	1		1A P15	
24	80136340040	PIN, SPLIT	1		4X40	
25	36073085160	KEY	2			
26	36073085180	BOLT (WITH SW)	6			
27	36073085200	PLUG	1			
28	36073085170	GAUGE, OIL	1			
29	80172304015	SCREW, MACHINE	1		M4X15	
30	90302040401	WASHER, SPRING	1		4	
51	36073085603	GEAR ASSY	1			
100	36073810000	WINCH ASSY (Y.G.TEC)	1			
101	36070441000	FACING KIT (JAPANESE)	1			
102	36070442000	FACING KIT (ENGLISH)	1			

TM-ZR360 41102310070A FRAME/SL, MANUAL, HOOK-IN  
PX1940184-01 MOUNT (BOOM)

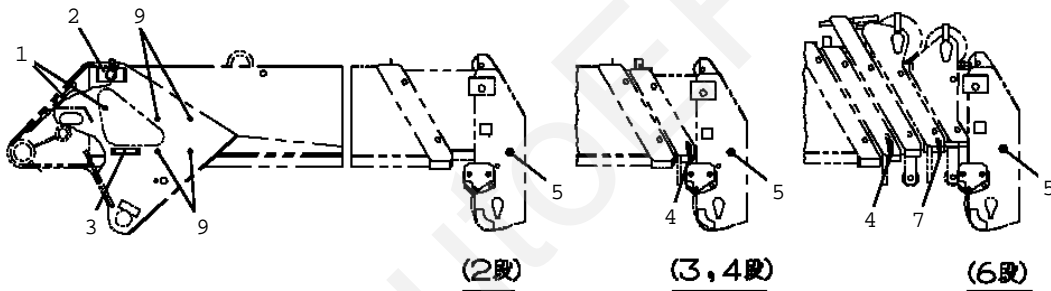


ZR230, 230W, 263Jの場合

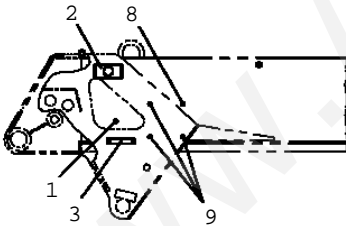


ZR505, 555の場合

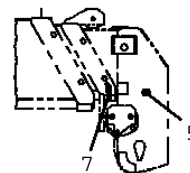
ZRの場合



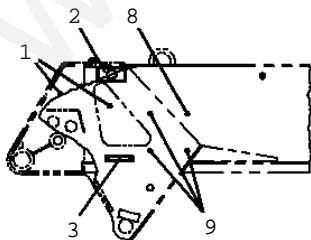
ZF300, 360, 500 (2~6段) の場合



ZF230, 260, 290,  
300J (2~4段), 263Jの場合



ZF263, 293, 303Jの場合



ZF260, 290, 300J (5, 6段) の場合

ZFの場合

**TM-ZR360 41102310070A FRAME/SL, MANUAL, HOOK-IN**

Pos No.	Parts No	Parts Name	Qty	Unit	Technical Data	Serial No (Start)	Serial No
1	90190000008	BOLT,STUD	2		M6X20		
2	31360202500	SUPPORT	2				
3	31360742500	SUPPORT	1				
4	31360192900	SUPPORT	1		L=55		
5	37001601290	NUT	1		M12		
6	31360742700	NUT	1		M12		
7	31360003020	SUPPORT	1		L=63		
8	37001601010	NUT	3				
9	90288106030	NUT	3		M6X30		

www.AutoEPC.com

TM-ZR360 41102310070A FRAME/SL,MANUAL,HOOK-IN  
PY1000468-00 OPTIONS (HYDRAULIC-RELATED,SL)

トクベツ ショウ  
OPTIONS

( 油圧関係  
HYDRAULIC-RELATED )

【組立名称一覧】より選択してください。

SEE THE CORRESPONDING "ASSEMBLY NAME" LIST.

**TM-ZR360 41102310070A FRAME/SL,MANUAL,HOOK-IN**

Pos No.	Parts No	Parts Name	Qty	Unit	T
1	(***** *****)	HOOK (1-PART LINE)	1		
	(***** *****)	HOOK (SELF, 3TONX2-PART LINE)	1		
2	(***** *****)	GUIDE,ROPE (RETAINING WIRE ROPE)	1		
3	(***** *****)	DETECTOR,DISORDERLY WIND (DRUM FREE)	1		
4	(***** *****)	PLATE (500X500,H=90)	1		
	(***** *****)	PLATE (355X355,H=80)	1		
5	(***** *****)	OUTRIGGER,REAR (ROTARY,POWER PACKAGE)	1		
	(***** *****)	OUTRIGGER,REAR (ROTARY/POWER PACKAGE:WITH LOCK ASSY)	1		
6	(***** *****)	WINCH (SELF 3TONX1, S-RADICON,CRANE:M)	1		
	(***** *****)	WINCH (SELF 4TONX1, S-RADICON,CRANE:M)	1		
7	(***** *****)	WINCH (SELF 3TONX1, F-RADICON,CRANE:E)	1		
	(***** *****)	WINCH (SELF 4TONX1, F-RADICON,CRANE:E)	1		
8	(***** *****)	WINCH (DRUM FREE)	1		
9	42461050200	STOPPER,TIRE	4		

www.AutoEPC.com

TM-ZR360 41102310070A FRAME/SL, MANUAL, HOOK-IN  
PY1000470-00 OPTIONS (ELECTRICAL-RELATED, SL)

トクベツ ショウ  
OPTIONS

( 電気関係  
ELECTRICAL-RELATED )

【組立名称一覧】より選択してください。

SEE THE CORRESPONDING "ASSEMBLY NAME" LIST.

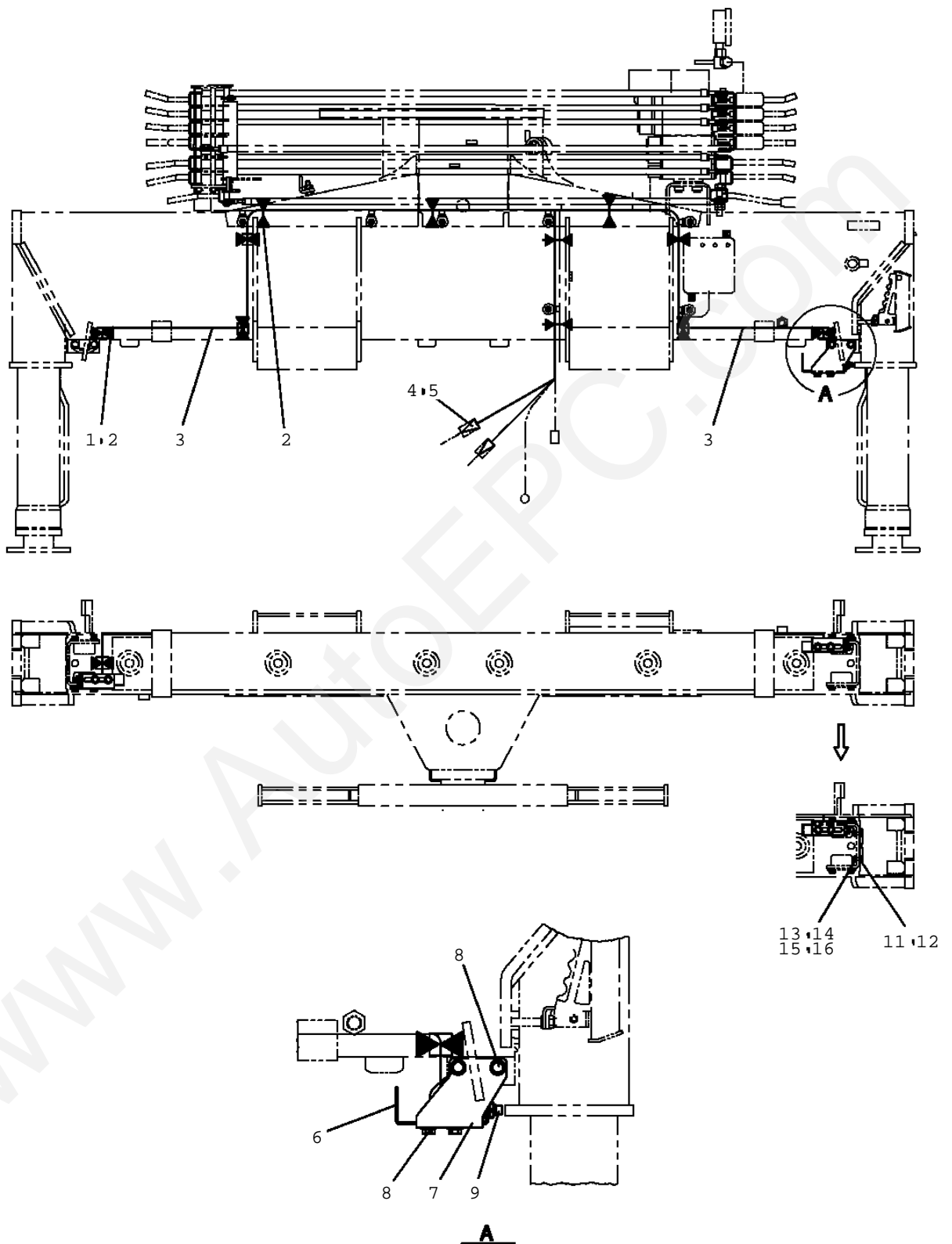


**TM-ZR360 41102310070A FRAME/SL,MANUAL,HOOK-IN**

Pos No.	Parts No	Parts Name	Qty	Unit	Technical Da
1	(***** )	REMOTE CONTROL (F,KIT/RCS-FC1)	1		
2	(***** )	RADIO CONTROL	1		
	(***** )	RADIO CONTROL (F,KIT/RCS-FC1)	1		
3	36805780000	CABLE (F-REMOTE CONTROL,20M)	1		
	(***** )	CABLE (ANTENNA 2M)	1		
5	(***** )	LAMP (MOUNT,BOOM/24V-45W)	1		
	(***** )	LAMP (MOUNT,POST/24V-60W)	1		
6	(***** )	ALARM SYSTEM	1		
	(***** )	ALARM SYSTEM	1		
9	(***** )	PARTS,AWL(2-4SECT./RADICON OR M,HOOK-IN)	1		
	(***** )	PARTS,AWL(5,6SECT./RADICON OR M,HOOK-IN)	1		
10	(***** )	JOINT,ROTARY (RING ASSY,SLIP)	1		
12	(***** )	PLATE ASSY,NAME (FOR FIXING AWL)	1		
13	(***** )	ELEC.ASSY (AWL LAMP)	1		

www.AutoEPC.com

TM-ZR360 41102310070A FRAME/SL, MANUAL, HOOK-IN  
PY1560010-01 ALARM SYSTEM ((OUTRIGGER HARNESS))

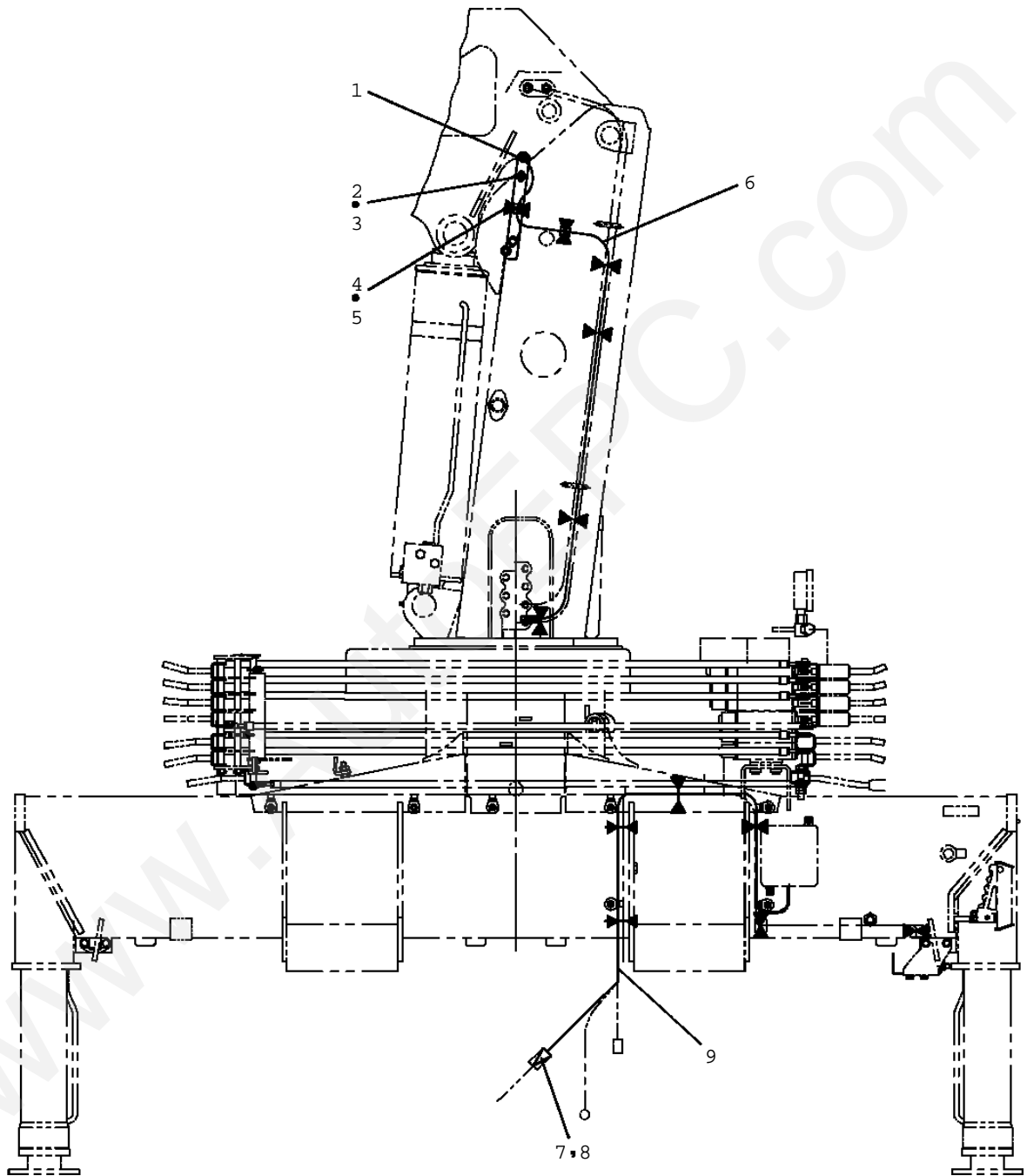


**TM-ZR360 41102310070A FRAME/SL,MANUAL,HOOK-IN**

Pos No.	Parts No	Parts Name	Qty	Unit	Technical Data	Serial No (Start)	Serial
1	91850310305	CLAMP	8				
2	91810130240	FASTENER	14				
3	31476361100	HARNESS (RED)	2		L=2000		
4	82100000192	TERMINAL	2				
5	82100000182	INSULATOR	2				
6	31477331600	SUPPORT	2				
7	31477331700	SUPPORT	2				
8	90186208014	BOLT,FLANGE	8		M8X14		
9	82108501240	SWITCH	2				
11	31477331400	PLATE	2				
12	31477331500	PLATE	8				
13	90203200600	NUT	4		M6		
14	90302040601	WASHER, SPRING	4		6		
15	80185306020	SCREW, MACHINE	4				
16	80185306025	SCREW, MACHINE	4				

www.AutoEPC.com

TM-ZR360 41102310070A FRAME/SL, MANUAL, HOOK-IN  
PY1560011-00 ALARM SYSTEM (BOOM HARNESS)



**TM-ZR360 41102310070A FRAME/SL, MANUAL, HOOK-IN**

Pos No.	Parts No	Parts Name	Qty	Unit	Technical Data	Serial No (Start)	Seri
1	82108501070	SWITCH	1				
2	31477332101	SUPPORT	1				
3	90186208014	BOLT, FLANGE	2		M8X14		
4	91850310305	CLAMP	2				
5	91810130240	FASTENER	11				
6	31652160100	HARNESS	1		L=1400		
7	82100000192	TERMINAL	1				
8	82100000182	INSULATOR	1				
9	31476361200	HARNESS (WHITE)	1		L=2000		

www.AutoEPC.com

TM-ZR360 41102310070A FRAME/SL,MANUAL,HOOK-IN  
PY1560039-01 ALARM SYSTEM

指示番号 KEY NO.	アラーム システム (キック、アウトリガ、カクノウスレ) ALARM SYSTEM
1	ハイセンASSY (アウトリガ、フ) ELEC.ASSY (OUTRIGGER)
2	ハイセンASSY (フ、ームフ) ELEC.ASSY (BOOM)
3	ハイセンASSY (カソウシヤリヨウフ) ELEC.ASSY
5	プレートASSY、ネーム PLATE ASSY,NAME

**TM-ZR360 41102310070A FRAME/SL,MANUAL,HOOK-IN**

Pos No.	Parts No	Parts Name	Qty	Unit	Technical Data	Ser
1	(***** )	ALARM SYSTEM ((OUTRIGGER HARNESS)	1			
2	(***** )	ALARM SYSTEM (BOOM HARNESS)	1			
3	(***** )	ELEC.ASSY (CARRIER)	1			
5	(***** )	PLATE ASSY,NAME	1			

www.AutoEPC.com

TM-ZR360 41102310070A FRAME/SL, MANUAL, HOOK-IN  
PY1560040-01 ALARM SYSTEM

指示番号 KEY NO.	アラーム システム (キフクカクノウスレ) ALARM SYSTEM
1	ハイセンASSY (ブームフ) ELEC. ASSY (BOOM)
2	ハイセンASSY (シャリヨウフ) ELEC. ASSY (CARRIER)
4	プレートASSY, ネーム PLATE ASSY, NAME

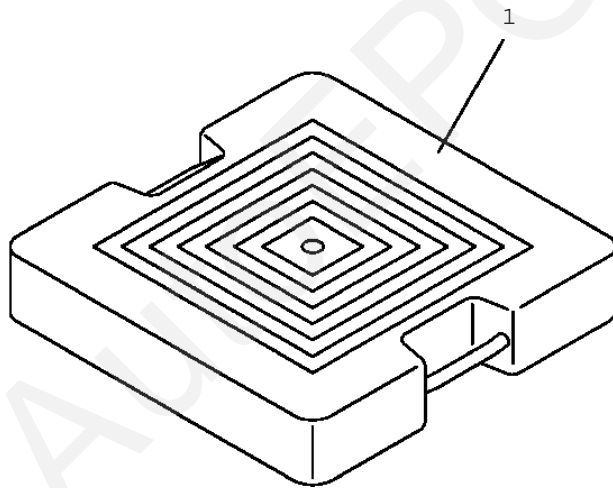


**TM-ZR360 41102310070A FRAME/SL,MANUAL,HOOK-IN**

Pos No.	Parts No	Parts Name	Qty	Unit	Technica
1	(***** )	ALARM SYSTEM (BOOM HARNESS)	1		
2	(***** )	ELEC.ASSY (CARRIER)	1		
4	(***** )	PLATE ASSY,NAME (BOOM,ELEV. STOWING FAILURE)	1		

www.AutoEPC.com

TM-ZR360 41102310070A FRAME/SL, MANUAL, HOOK-IN  
PY2340010-00 PLATE (500X500, H=90)

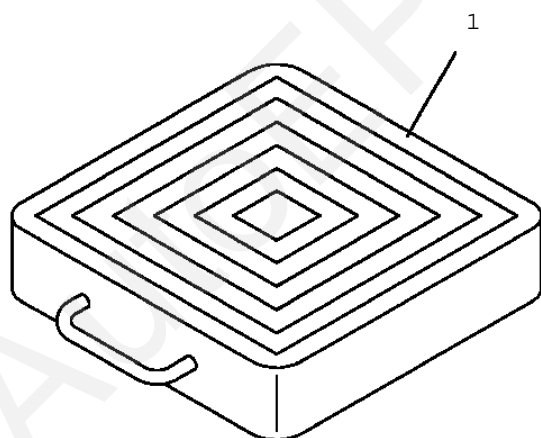


**TM-ZR360 41102310070A FRAME/SL,MANUAL,HOOK-IN**

Pos No.	Parts No	Parts Name	Qty	Unit	Technical Data	Serial No (Start)	Serial No
1	33731351000	BLOCK	1		500X500,H=90		

www.AutoEPC.com

TM-ZR360 41102310070A FRAME/SL, MANUAL, HOOK-IN  
PY2340011-00 PLATE (355X355, H=80)



**TM-ZR360 41102310070A FRAME/SL,MANUAL,HOOK-IN**

Pos No.	Parts No	Parts Name	Qty	Unit	Technical Data	Serial No (Start)	Serial No
1	42474201000	BLOCK	1		355X355,H=80		

www.AutoEPC.com

TM-ZR360 41102310070A FRAME/SL, MANUAL, HOOK-IN  
PZ0000000-00 HARNESS

---

販売部品 検討中につき、イラストはありません。

Parts for sale : Under consideration now.  
Therefore not illustrated.

---

**TM-ZR360 41102310070A FRAME/SL,MANUAL,HOOK-IN**

Pos No.	Parts No	Parts Name	Qty	Unit	Technical Data	Serial No (Start)	Serial No
1	31656330200	HARNESS	1				

www.AutoEPC.com